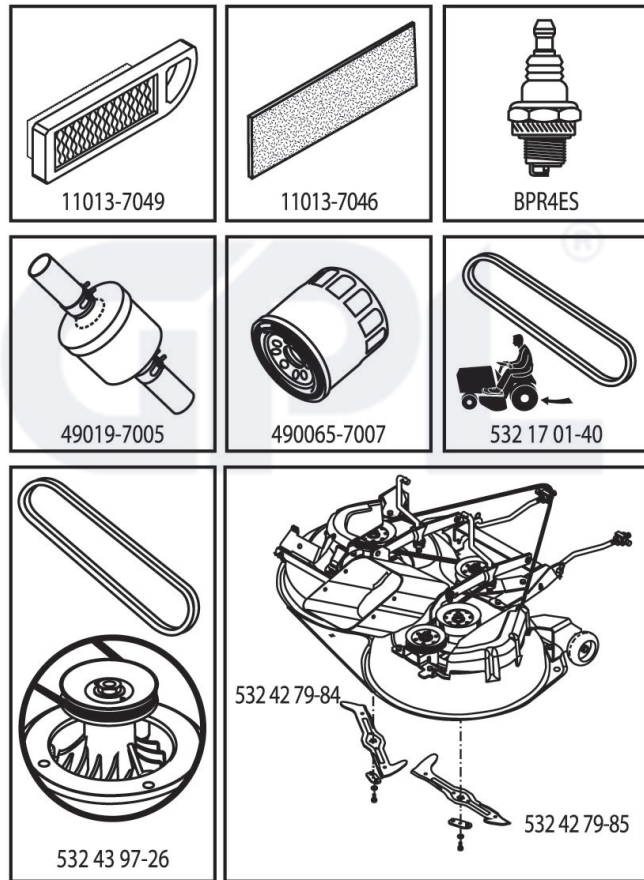


ILLUSTRATED PARTS LIST

MFG. ID NO. 96051003100

CUSTOMER CATALOG NO. CTH164T

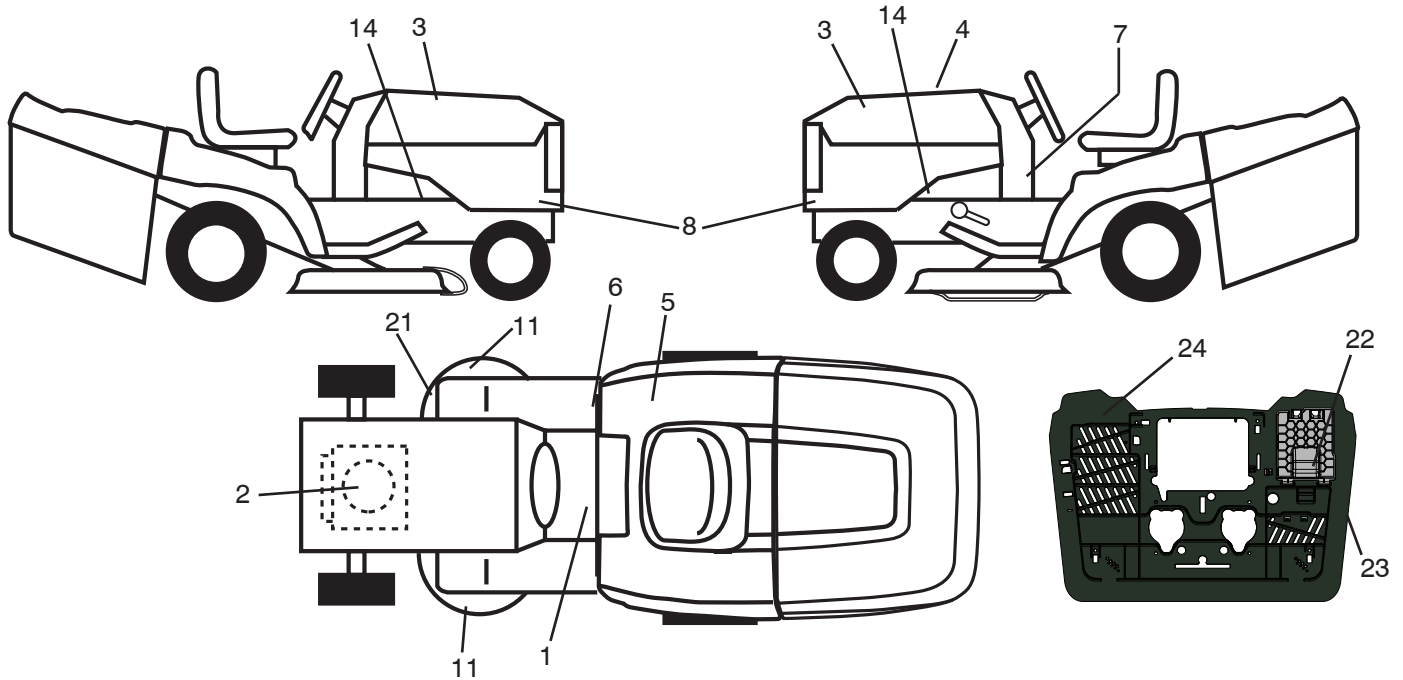
PRODUCT NO. 960 51 00-31



47

438895

**TRACTOR - MODEL NO. CTH164T (96051003100), PRODUCT NO. 96051 00-31
DECALS 27**



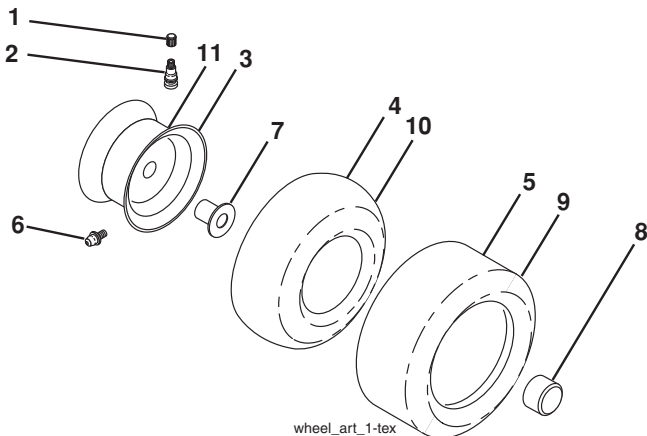
**KEY PART
NO. NO.**

KEY PART NO.	NO.	DESCRIPTION
1	532 44 55-03	Decal, Warning Sym.
2	532 19 68-41	Decal, Warning Eng. Sym.
3	581 62 73-01	Decal, Hood
4	532 43 88-95	Decal, Replacement
5	532 17 83-02	Decal, Operator Cruise Symbol
6	532 18 04-32	Decal, 100 DBA
7	532 44 02-47	Decal, Lower Dash
8	532 44 61-59	Decal, Side Panel
11	532 18 21-66	Decal, Mower Cut Finger Symbol
14	532 15 97-36	Decal, Chassis Hot Muffler

**KEY PART
NO. NO.**

KEY PART NO.	NO.	DESCRIPTION
21	532 44 11-89	Decal, Belt
22	532 44 51-02	Decal, Battery
23	532 44 45-19	Decal, Bypass
	532 44 54-93	Decal, Info/Warning
--	532 44 14-09	Pad Footrest LH
--	532 44 14-10	Pad Footrest RH
--	532 44 49-27	Manual Operator's (Euro)
--	532 44 49-28	Manual Operator's (Scan)
--	532 44 49-29	Manual Operator's (E-Bloc)
--	532 44 49-30	Manual Operator's (Baltic)

WHEELS AND TIRES



**KEY PART
NO. NO.**

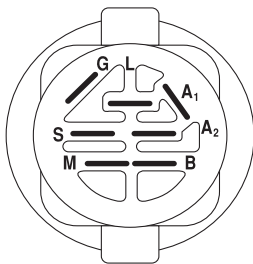
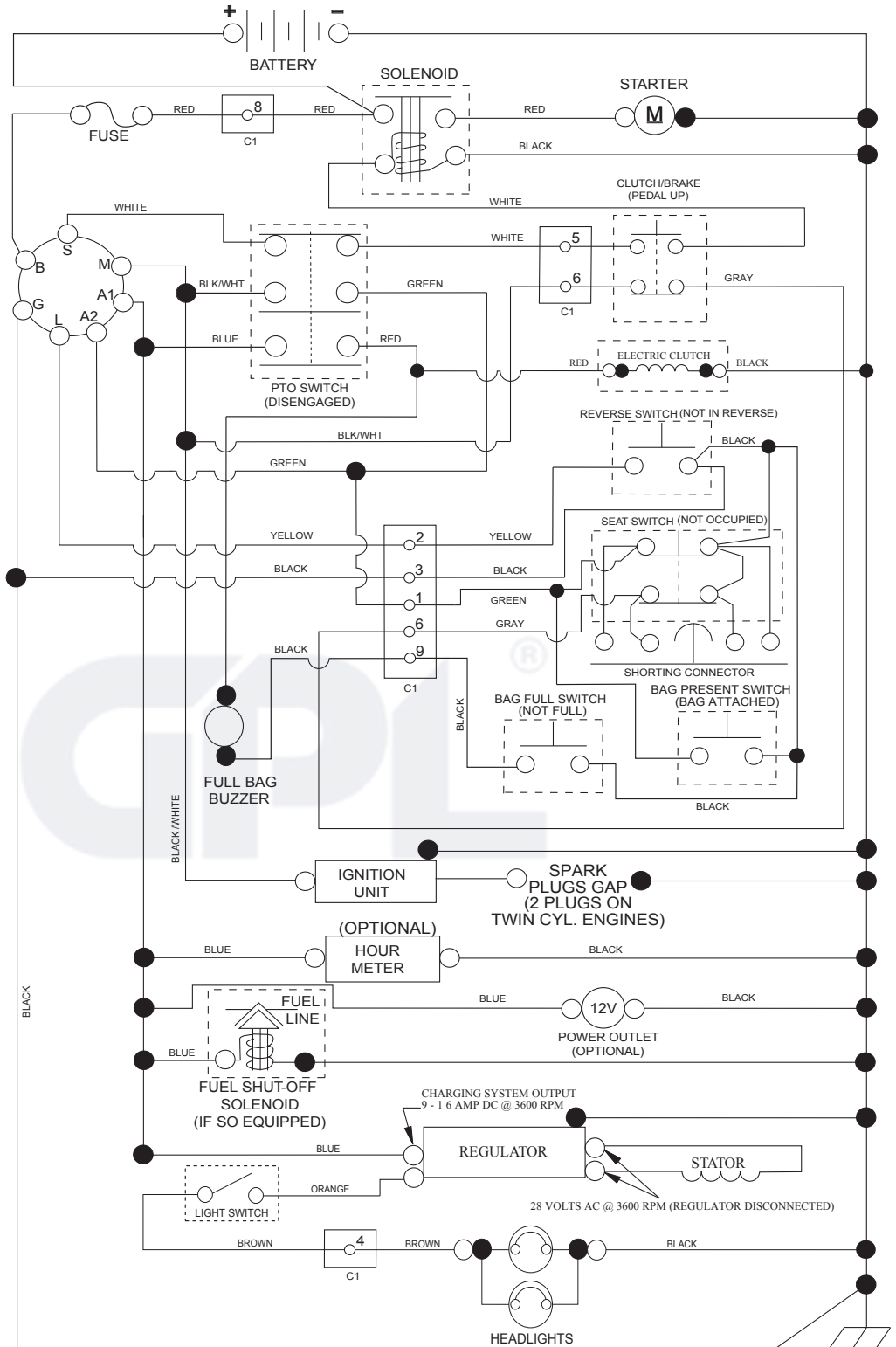
KEY PART NO.	NO.	DESCRIPTION
1	532 05 91-92	Cap Valve Tire
2	532 06 51-39	Stem Valve
3	532 13 83-36	Rim Front
4	532 05 99-04	Tube Front (Service Item Only)
5	532 10 62-22	Tire Front 15 x 6.0-6
6	532 12 49-57	Fitting Grease (Front Wheel Only)
7	532 12 49-59	Bearing Flange (Front Wheel Only)
8	532 17 50-39	Cap Axle Blk 1 50 x 1 00
9	532 42 05-31	Tire R 18 x 9.5-8
10	532 12 49-26	Tube Rear (Service Item Only)
11	532 13 83-37	Rim Asm 8" Rear
--	532 14 43-34	Sealant, Tire (10 oz. Tube)

NOTE: All component dimensions given in U.S. inches
1 inch = 25.4 mm

TRACTOR - MODEL NO. CTH164T (96051003100), PRODUCT NO. 960 51 00-31

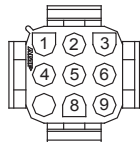
SCHEMATIC 38

SCH19

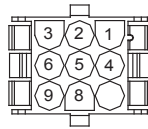


IGNITION SWITCH

POSITION	CIRCUIT	"MAKE"
OFF	M+G+A1	
RUN/OVERRIDE	B+A1	
RUN	B+A1	L+A2
START	B + S + A1	



CHASSIS HARNESS CONNECTOR (C1) (MATING SIDE)



DASH HARNESS CONNECTOR (C1) (MATING SIDE)

WIRING INSULATED CLIPS
NOTE: IF WIRING INSULATED CLIPS WERE REMOVED FOR SERVICING OF UNIT, THEY SHOULD BE RE-INSTALLED TO PROPERLY SECURE YOUR WIRING.

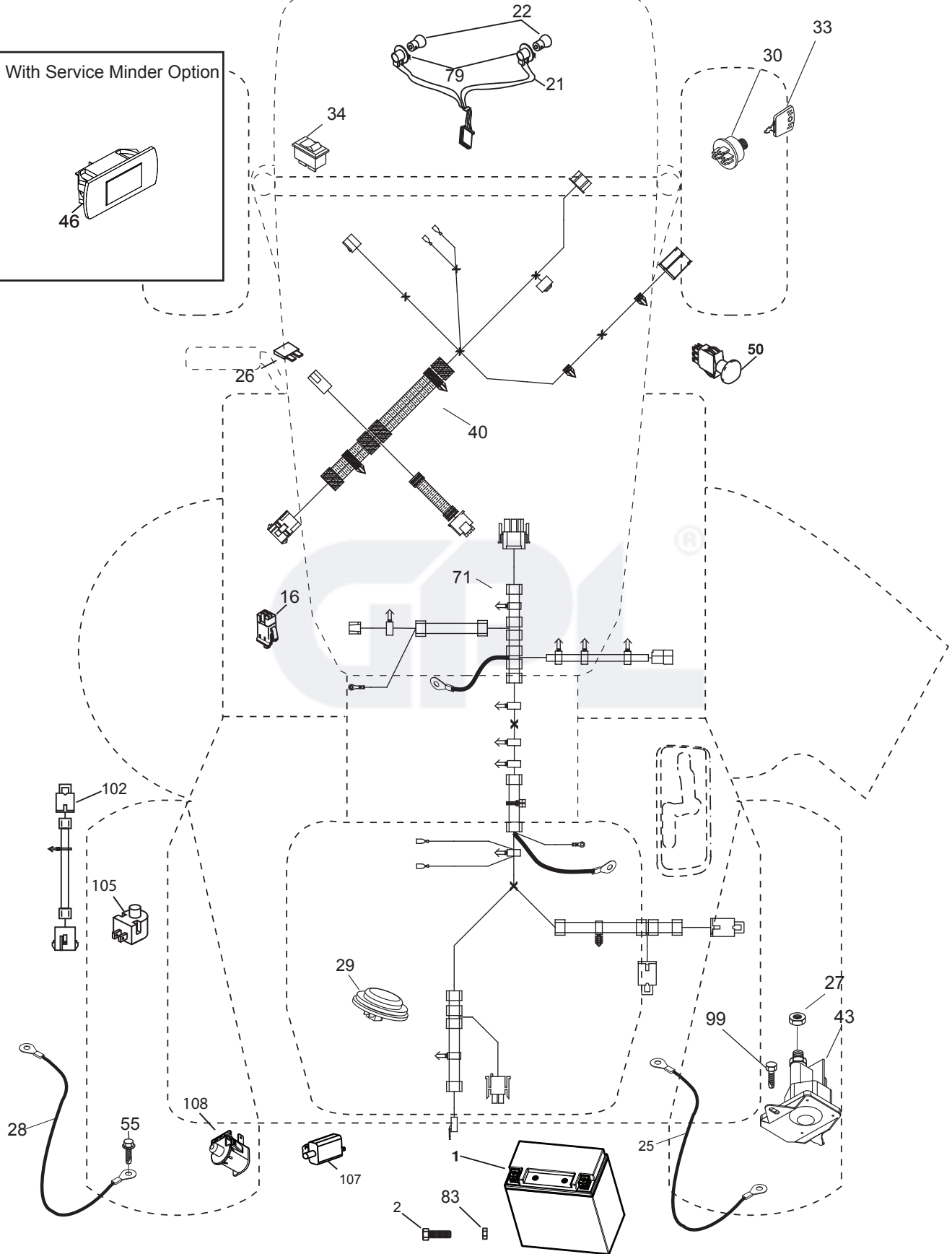
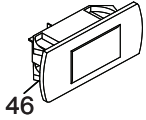
● NON-REMOVABLE CONNECTIONS

○ REMOVABLE CONNECTIONS

TRACTOR - MODEL NO. CTH164T (96051003100), PRODUCT NO. 96051 00-31
ELECTRICAL 32

TC09S

With Service Minder Option

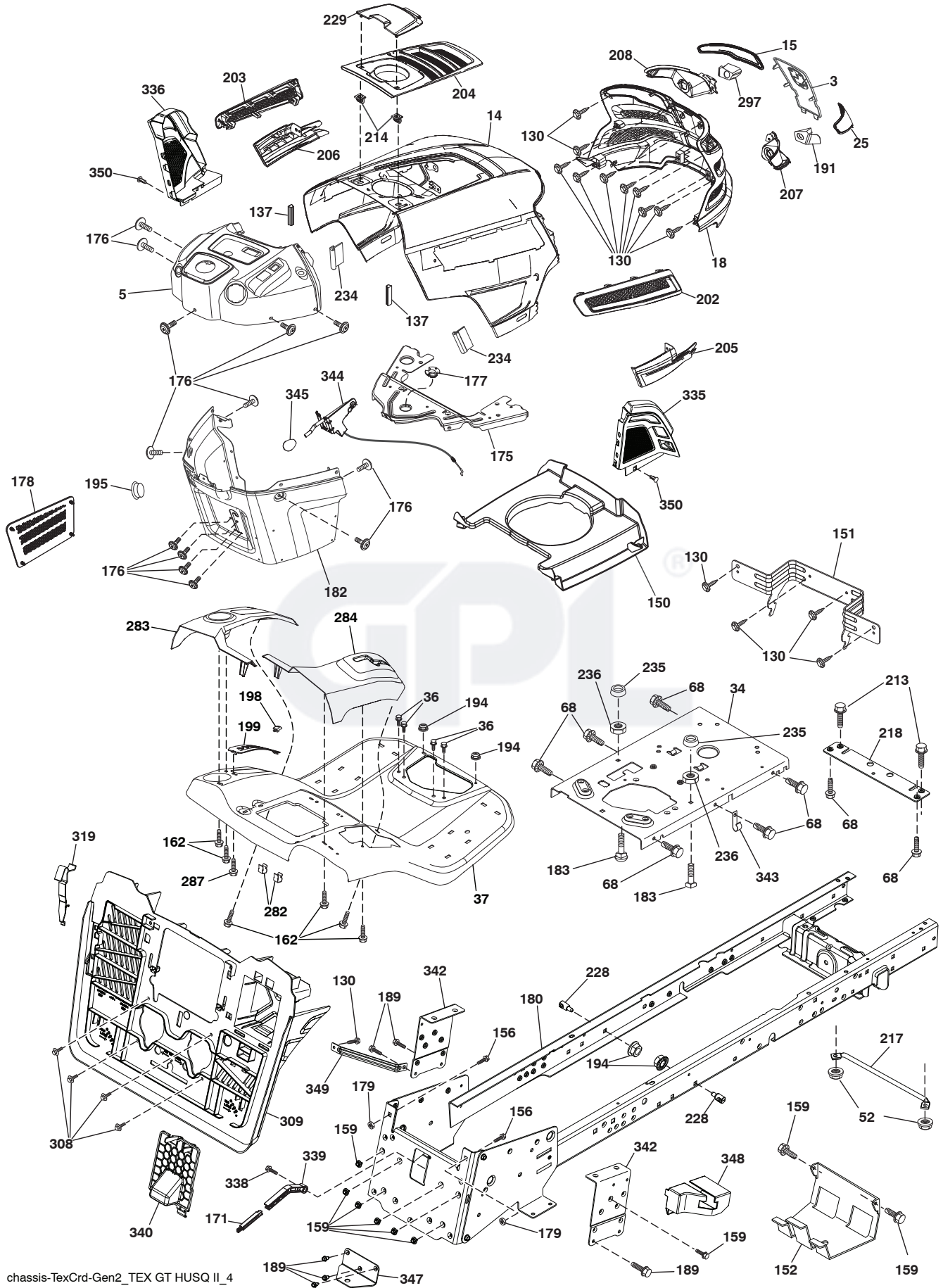


**TRACTOR - MODEL NO. CTH164T (96051003100), PRODUCT NO. 960 51 00-31
ELECTRICAL 32**

KEY NO.	PART NO.	DESCRIPTION
1	532 43 71-57	Battery
2	532 44 09-23	Screw Hex Hd Cap M6 x 1.12MM
16	532 17 61-38	Switch Interlock Push-In
21	532 40 02-52	Harness Socket Light w/4152J
22	532 00 41-52	Bulb Light
25	532 43 71-62	Cable Starter
26	532 17 51-58	Fuse
27	873 51 04-00	Nut Keps Hex 1/4-20 unc
28	532 43 71-63	Cable, Ground
29	532 40 15-45	Switch, Seat
30	532 19 33-50	Switch, Ign
33	532 41 19-35	Key/Chain
34	532 11 07-12	Switch Light/Reset
40	532 42 95-33	Harness Ign. Dash/Lift
43	532 19 25-07	Solenoid
46	532 40 17-63	Gauge Serviceminder Hrmtr
50	532 17 46-51	Switch PTO
55	817 06 05-12	Screw Thdrol 5/16-18 x 3/4 TYTT
71	532 44 08-20	Harness Ignition (Chassis)
79	532 17 52-42	Socket Asm. Bulb
83	532 43 67-74	Nut Square M6 x 1.8.5 x 11MM
99	817 72 04-08	Screw 1/4-20 x 1/2
102	532 44 12-62	Harness Pigtail Tex ROS Tuff Torq.
105	532 40 75-68	Switch Reverse
107	532 18 03-79	Switch Tall Bagger
108	532 42 10-62	Switch Snapmount

NOTE: All component dimensions given in U.S. inches
1 inch = 25.4 mm

TRACTOR - MODEL NO. CTH164T (96051003100), PRODUCT NO. 96051 00-31
CHASSIS AND ENCLOSURES 39

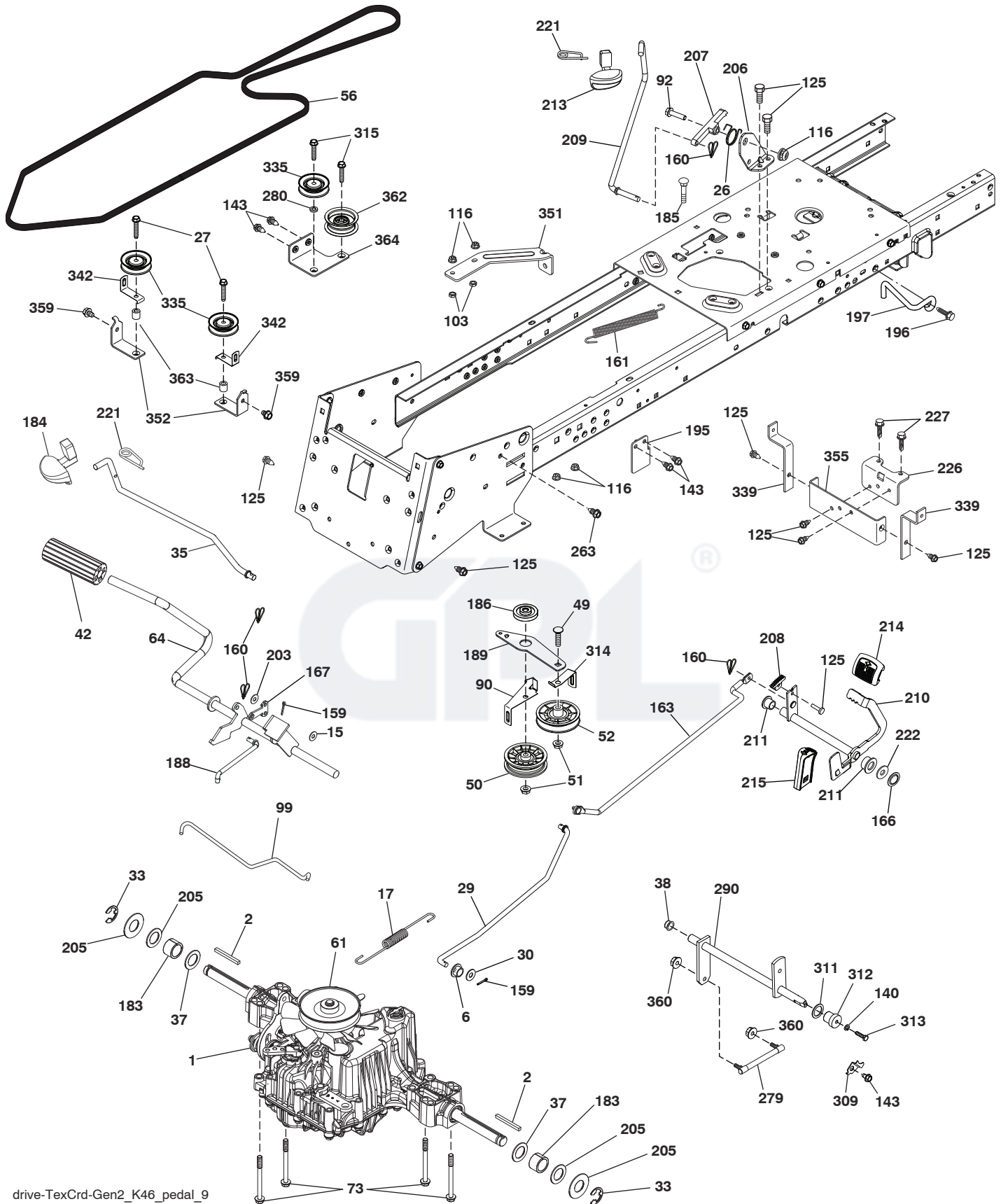


**TRACTOR - MODEL NO. CTH164T (96051003100), PRODUCT NO. 960 51 00-31
CHASSIS AND ENCLOSURES 39**

KEY NO.	PART NO.	DESCRIPTION	KEY NO.	PART NO.	DESCRIPTION
3	532 43 97-52	Applique	205	532 43 97-30	Skirt Hood Side RH
5	532 43 74-80	Dash	206	532 43 97-29	Skirt Hood Side LH
14	532 44 11-77	Hood	207	532 43 97-34	Bezel RH
15	532 43 97-33	Lens LH	208	532 43 97-35	Bezel LH
18	532 44 06-53	Grille	213	874 76 05-12	Bolt 5/16-18 x 3/4
25	532 44 33-85	Lens RH	214	532 19 91-45	Clip Retainer Tinner
34	532 19 61-25	Plate Engine	217	532 40 91-67	Rod Pivot
36	817 06 05-12	Screw 5/16-18 x 3/4	218	532 19 63-95	X-Piece Hood Stop
37	532 44 14-19	Fender	228	532 19 51-61	Stud Fastner
52	873 68 05-00	Nut Lock 5/16-18	229	532 44 14-63	Lid Ext.
68	817 49 05-08	Screw Thdrol 5/16-18 x 1/2	234	532 40 47-42	Bumper Hood
130	532 41 63-58	Screw #10 x 0.750	235	532 40 61-29	Spacer Fender
137	532 40 75-90	Bumper Dash	236	873 93 05-00	Nut Lock 5/16-18 unc
150	532 43 97-31	Air Duct	282	532 41 41-10	Clip Retainer
151	532 43 66-70	Bracket Pivot	283	532 44 72-12	Console Deck Lift LH
152	532 43 98-70	Shield Browning	284	532 44 72-20	Console Shft SRD RH
156	872 14 06-14	Bolt 3/8-16 unc x 1-3/4	287	817 60 04-06	Screw 1/4-20 x 3/8
159	817 00 06-12	Screw Hexwsh Thrd 3/8-16 x 3/4	297	532 43 74-56	Insert Reflective LH
162	532 14 24-32	Screw	308	532 17 18-77	Bolt 5/16-18 unc x 3/4
171	532 44 12-89	Extension Bagger Full	309	532 44 77-79	Backplate
175	532 19 63-04	Crossmember	319	532 44 68-76	Bracket Actuator Bagger CRD SV
176	532 40 07-76	Screw 10-24 x 5/8	335	532 44 82-04	Cover RH Lower Close Out
177	532 19 52-27	Bushing Steering	336	532 44 53-09	Cover LH Lower Close Out
178	532 19 97-82	Cargo Asm. Net	338	532 43 66-40	Bolt Shoulder
179	532 16 89-37	Nut Push	339	532 44 12-88	Lever Bagger Full
180	583 90 27-01	Chassis	340	532 44 74-78	Door Pnt Battery tray Tex CRD
182	532 43 89-67	Dash Lower	342	532 43 59-38	Supprt Fender
183	874 52 05-20	Bolt 5/16-18 x 1-1/4	343	532 44 07-49	Clip
189	817 00 05-12	Screw 5/16-18 x 3/4	344	532 43 89-70	Control EZ Mulch
191	532 43 74-55	Insert Reflective RH	345	532 44 06-39	Knob
194	873 90 05-00	Nut Lock Hex Flange 5/16-18	347	532 44 58-32	Hitch
195	532 40 41-37	Plug Hole Dash Lower	348	532 44 49-26	Solenoid Cover
198	532 44 15-52	Indicator	349	532 43 66-06	LRVB Fuel Tank Support
199	532 41 87-39	Plate Deck Lift	350	532 44 51-43	Clip X-mas Tree
202	532 43 97-28	Vent Side Hood RH			
203	532 43 97-27	Vent Side Hood LH			
204	532 44 06-65	Vent Top Hood			

NOTE: All component dimensions given in U.S. inches
1 inch = 25.4 mm

TRACTOR - MODEL NO. CTH164T (96051003100), PRODUCT NO. 96051 00-31
DRIVE 40



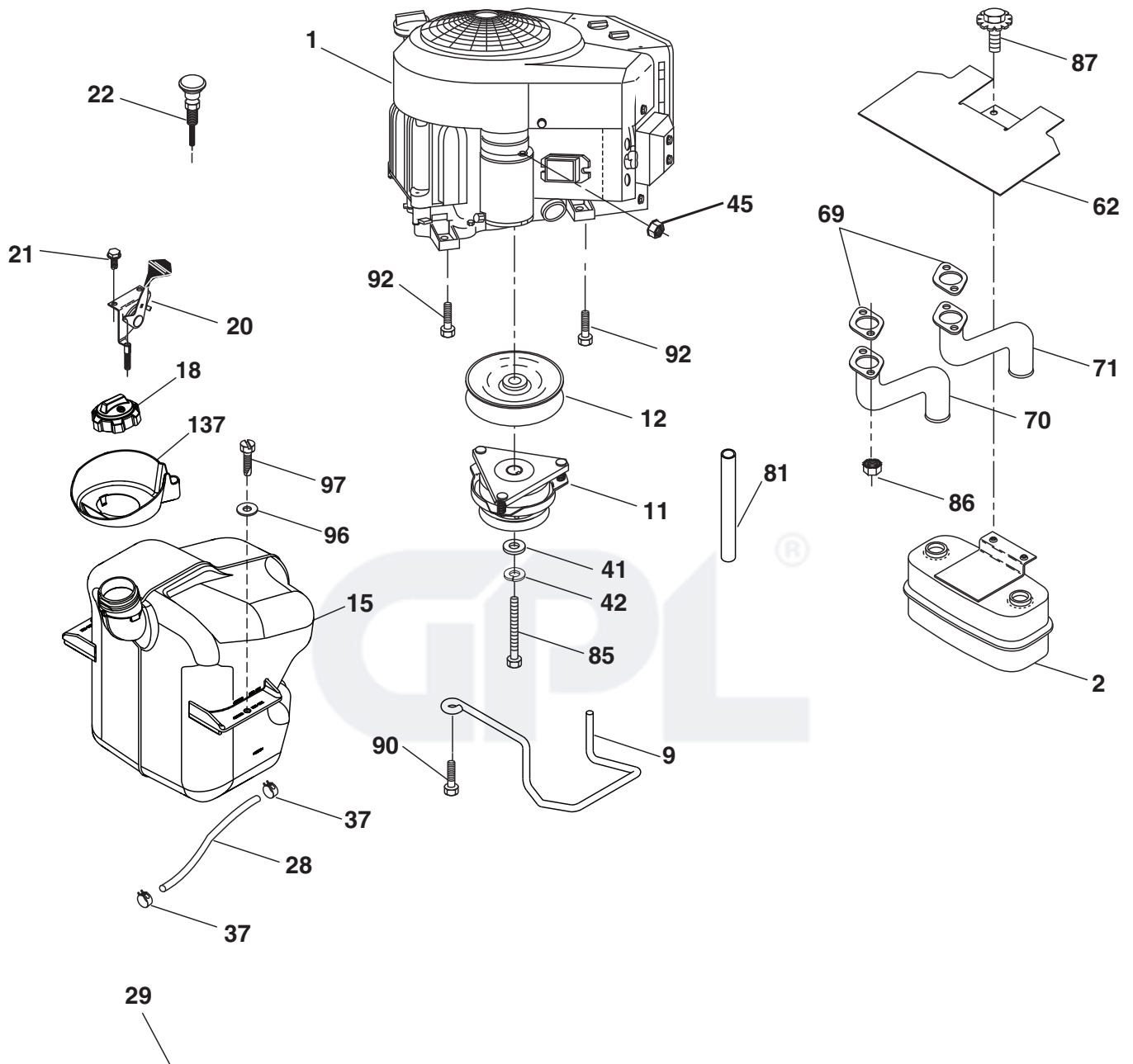
drive-TeXCrd-Gen2_K46_pedal_9

**TRACTOR - MODEL NO. CTH164T (96051003100), PRODUCT NO. 960 51 00-31
DRIVE 40**

KEY NO.	PART NO.	DESCRIPTION	KEY NO.	PART NO.	DESCRIPTION
1	---	Transaxle, Tufftorq K46DF (446488) (Order parts from transaxle manufacturer.)	196	817 00 06-16	Screw 3/8-16 x 1
2	532 12 35-83	Key Square	197	532 19 58-04	Link Clutch Anti-Rotation
6	532 12 42-08	Bushing Snap	203	819 11 11-16	Washer 11/32 x 11/16 x 16 Ga.
15	819 13 13-16	Washer 13/32 x 13/16 x 16 Ga.	205	532 12 17-48	Washer 25/32 x 1-5/8 x 16 Ga.
17	532 43 62-27	Spring, Brake	206	532 19 78-67	Bracket Mount Latch Cruise
26	532 19 96-79	Spring Return Cruise	207	532 19 78-68	Latch Control Cruise
27	817 49 05-28	Screw 5/16-18 x 1-3/4	208	532 19 78-69	Gear Sector Control Cruise
29	532 44 27-95	Rod, Brake	209	532 19 95-92	Rod Control Cruise
30	819 13 16-16	Washer	210	532 40 09-80	Rocker Asm. Pedal
33	812 00 00-01	Ring E	211	532 12 01-83	Bearing Nylon
35	583 86 45-01	Rod, Brake, Park	213	532 40 31-19	Knob Control Cruise
37	532 18 89-67	Washer Harden .793 x 1.637 x .060	214	532 42 12-63	Pedal Forward Pad
38	532 16 96-13	Nyliner Snap In	215	532 41 94-82	Pedal Reverse Pad
42	532 12 48-72	Cover, Foot Pedal	221	532 40 31-87	Retainer Spring
49	872 11 06-14	Bolt Rdhd 3/8-16 unc x 1-3/4 Gr. 5	222	879 21 20-10	Washer 21/32 x 1-1/4 x 10 Ga.
50	532 19 43-27	Pulley Idler Flat	226	532 40 15-64	Bracket Mount Torque
51	873 90 06-00	Lock Nut 3/8-16	227	817 49 05-12	Screw Thdrol 5/16-18 x 3/4
52	532 19 43-26	Idler V-Groove	263	817 00 06-12	Screw 3/8-16 x 3/4
56	532 44 27-81	V-Belt, Drive	279	532 44 42-83	Link Shift
61	532 44 51-51	Pulley Transaxle	280	819 11 10-12	Washer 11/32 x 5/8 x 12 Ga.
64	532 19 78-65	Shaft Asm. Pedal Brake Control	290	532 42 93-59	Shaft Asm. Crossshift
73	874 49 05-44	Bolt Hex 5/16-18 Gr. 5	309	532 16 55-81	Plate Fstnr. Cross
90	532 44 36-05	Keeper Belt Clutching	311	532 16 98-45	Washer Nylon
92	874 76 05-20	Bolt	312	532 16 56-14	Hub Tapered Round
99	532 44 39-47	Rod Spring Bypass	313	874 78 04-16	Bolt Hex Fin 1/4-20 unc x 1 Gr. 5
103	873 35 05-00	Nut Hex Jam 5/16-18 unc	314	532 44 47-13	Retainer Belt Spring
116	873 90 05-00	Nut Lock Hex Flange 5/16-18	315	817 58 05-20	Screw Thdrol 5/16-18 x 1.25
125	817 00 05-12	Screw 5/16-18 x 3/4	335	532 19 95-34	Idler V Pulley Grnd. Dr.
140	810 04 04-00	Washer Lock 1/4	339	532 43 68-67	Strap Torque
143	817 49 05-08	Screw Thdrol 5/16-18 x 1/2	342	532 18 26-82	Keeper Belt 2.5"
159	876 02 04-12	Pin Cotter 1/8 x 3/4	351	532 43 69-98	Bracket Deck Sway
160	532 16 94-84	Retainer Clip	352	532 43 56-45	Bracket Idler
161	532 10 57-09	Spring, Return, Clutch	355	532 43 56-69	Bracket
163	532 44 27-93	Rod Control	359	817 49 06-10	Screw Thdrol 3/8-16 x 5/8
166	532 42 91-64	Nut Push .625	360	532 44 47-14	Nut Hex Centerlock 5/16-24 unf
167	532 40 52-57	Latch Brake Parking	362	532 43 68-12	Idler Flat 2.25"
183	532 13 70-57	Spacer Axle	363	532 44 27-80	Spacer .243 x .63 x .62
184	532 44 14-55	Handle Parking Brake	364	532 44 30-32	Bracket V-Idler
185	872 11 06-22	Bolt Rdhd 3/8-16 unc x 2-3/4 Gr. 5			
186	532 19 43-21	Spacer Retainer			
188	532 19 43-23	Link Clutch Ground Drive			
189	532 43 36-11	Bellcrank Ground Drive			
195	532 43 58-65	Bracket Rod Brake			

NOTE: All component dimensions given in U.S. inches
1 inch = 25.4 mm

TRACTOR - MODEL NO. CTH164T (96051003100), PRODUCT NO. 96051 00-31
 ENGINE 24



SPARK ARRESTER KIT

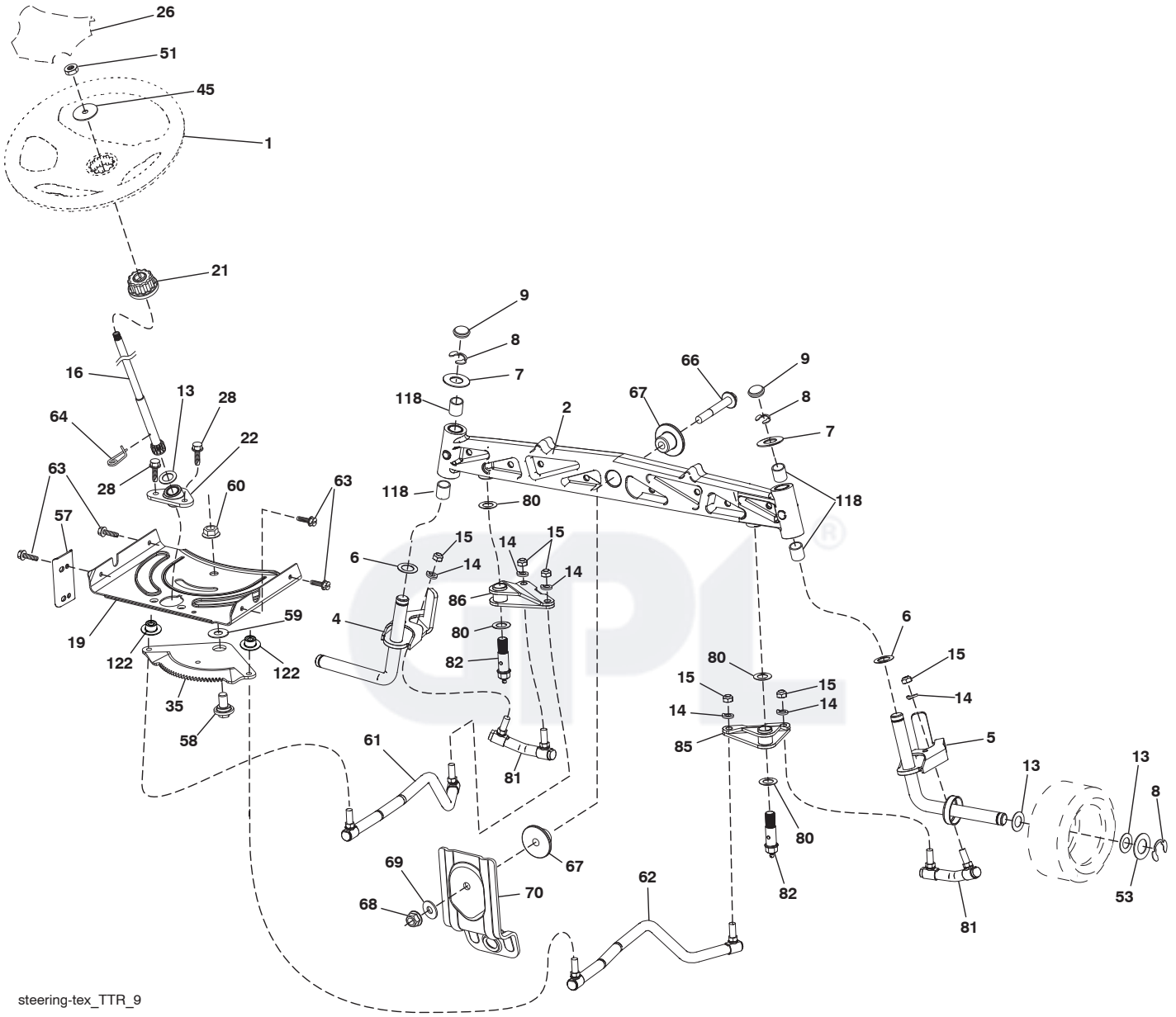
engine-tex_Kawa-2cyl_19

**TRACTOR - MODEL NO. CTH164T (96051003100), PRODUCT NO. 960 51 00-31
ENGINE 24**

KEY NO.	PART NO.	DESCRIPTION
1	-----	Engine Kawasaki Model No. FS481V-CS53 (445365)(Order parts from engine manufacturer.)
2	532 14 97-23	Muffler
9	532 19 43-20	Keeper Belt Engine
11	532 18 05-05	Clutch
12	532 40 50-97	Pulley Engine
15	532 43 58-16	Tank Fuel
18	532 44 14-62	Fuel Cap
20	532 41 21-65	Control Throttle
21	532 41 63-58	Screw # 10 x 0.750
22	532 19 15-96	Control Choke
28	532 13 70-40	Fuel Line
29	532 13 71-80	Spark Arrester Kit
37	532 12 34-87	Clamp Hose
41	532 12 61-97	Washer 1-1/2 OD x 15/32
42	810 04 07-00	Washer Lock 7/16
45	873 51 04-00	Nut Keps Hex 1/4-20 unc
62	532 43 40-17	Shield Heat Muffler
69	532 17 81-51	Gasket
70	532 42 47-65	Tube Exhaust LH
71	532 42 47-66	Tube Exhaust RH
81	532 14 84-56	Tube Drain Oil Easy
85	532 17 39-37	Bolt Hex 7/16-20 x 4 x Gr. 5-1.5 Thr
86	532 18 43-62	Nut Hex Flange Toplock M8-1.25
87	532 17 18-77	Bolt 5/16-18 unc x 3/4 w/Sems
90	817 00 06-16	Screw 3/8-16 x 1
92	817 12 06-16	Screw 3/8-16 x 1
96	819 09 14-16	Washer 9/32 x 7/8 x 16 Ga.
97	817 67 04-12	Screw 1/4-20 x 3/4
137	532 44 14-61	Spill Cup

NOTE: All component dimensions given in U.S. inches
1 inch = 25.4 mm

TRACTOR - MODEL NO. CTH164T (96051003100), PRODUCT NO. 96051 00-31
STEERING ASSEMBLY [41]



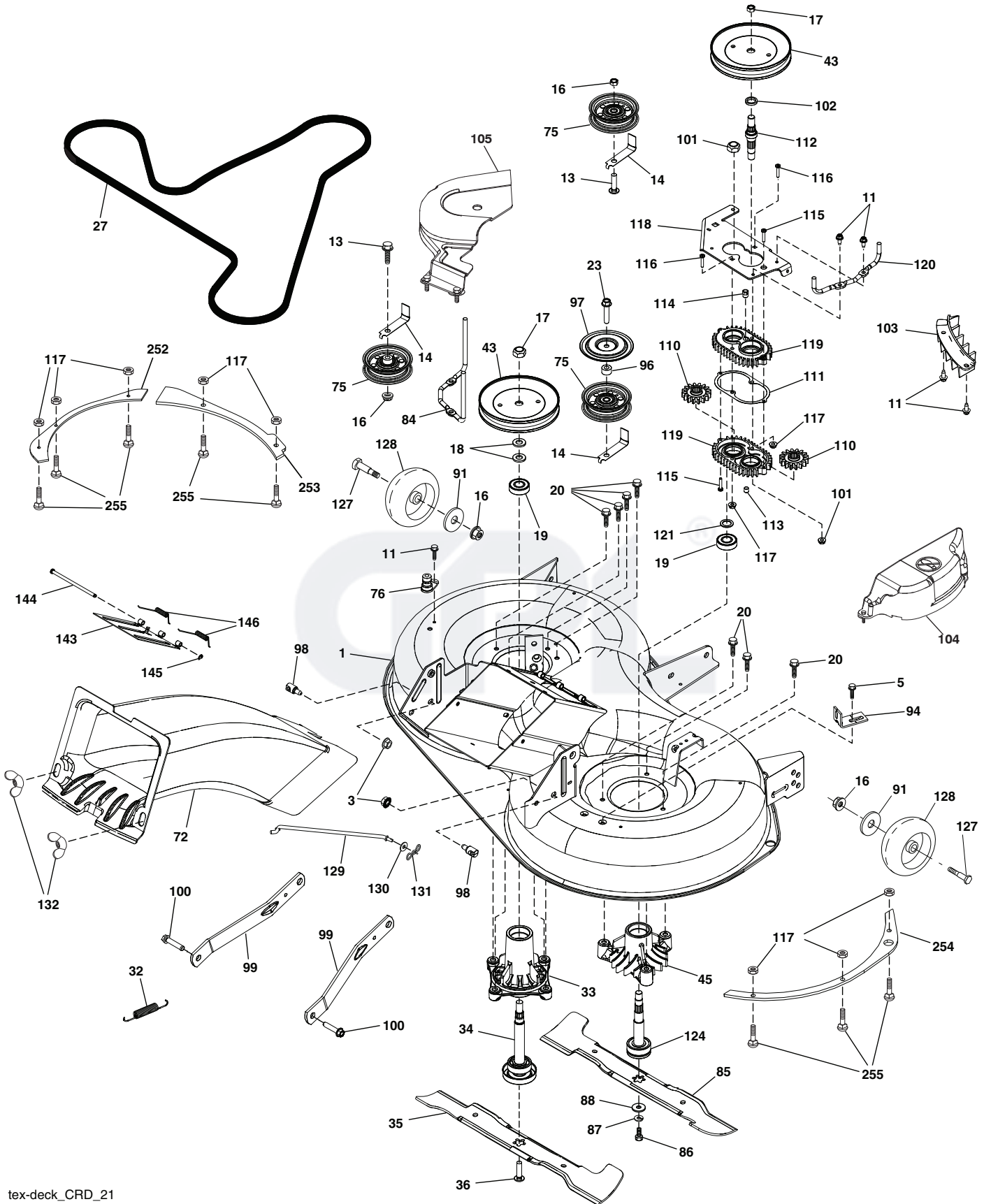
steering-tex_TTR_9

TRACTOR - MODEL NO. CTH164T (96051003100), PRODUCT NO. 960 51 00-31
STEERING ASSEMBLY 41

KEY NO.	PART NO.	DESCRIPTION
1	532 43 97-40	Wheel, Steering
2	532 43 68-70	Axle Cast Iron
4	532 43 68-73	Spindle Asm., LH
5	532 43 68-74	Spindle Asm., RH
6	532 12 49-31	Washer, Thrust
7	532 12 17-48	Washer 25/32 x 1-5/8 x 16 Ga.
8	812 00 00-29	Ring, Klip #T5304-75
9	532 12 12-32	Cap, Spindle
13	532 12 17-49	Washer 25/32 x 1-1/4 x 16 Ga.
14	810 04 06-00	Washer, Lock Hvy Hlcl Spr 3/8
15	873 54 06-00	Nut, Crown Lock 3/8-24 unf
16	532 44 42-12	Shaft Steering
19	532 19 47-29	Plate Steering
21	532 43 77-47	Adapter, Wheel Steering
22	532 19 48-45	Bushing Asm.
26	532 43 97-43	Insert, Wheel Steering
28	817 00 06-12	Screw 3/8-16 x 3/4
35	532 44 07-70	Gear, Sector Plate
45	819 18 38-12	Washer 9/16 ID x 2-3/8 OD 12 Ga.
51	873 94 08-00	Nut Hex Jam Toplock 1/2-20 unf
53	532 18 89-67	Washer Hardened .793 x 1.637 x .060
57	532 40 74-65	Bracket Upstop
58	532 19 47-47	Bolt Shoulder Sector Pivot CFM
59	532 19 47-48	Washer Thrust Sector Steering
60	873 97 10-00	Nut Flange Lock 5/8-11
61	532 43 68-84	Draglink, LH
62	532 43 68-85	Draglink, RH
63	817 00 05-12	Screw 5/16-18 x 3/4
64	532 19 98-49	Retainer Clip Spring Steering
66	871 02 07-48	Bolt Hex Fghd 7/16-14 x 3 Serr
67	532 19 47-37	Bushing PM Front Axle
68	873 90 07-00	Nut Lock Flange 7/16-14 Gr. 5
69	532 19 91-62	Washer 1.5 x .505 x .118
70	532 19 61-97	Bracket Deck Susp. Front
80	532 00 13-70	Washer 5/8 x 1.10 x 1/32
81	532 43 68-87	Sub Asm. Link Cross
82	532 43 68-77	Sub Asm. Pivot Bolt
85	532 44 18-73	Sub Asm. Pivot RH
86	532 44 18-72	Sub Asm. Pivot LH
118	532 40 60-13	Bushing Axle
122	532 44 49-62	Cap Gear Sector

NOTE: All component dimensions given in U.S. inches
1 inch = 25.4 mm

TRACTOR - MODEL NO. CTH164T (96051003100), PRODUCT NO. 96051 00-31
MOWER DECK 44



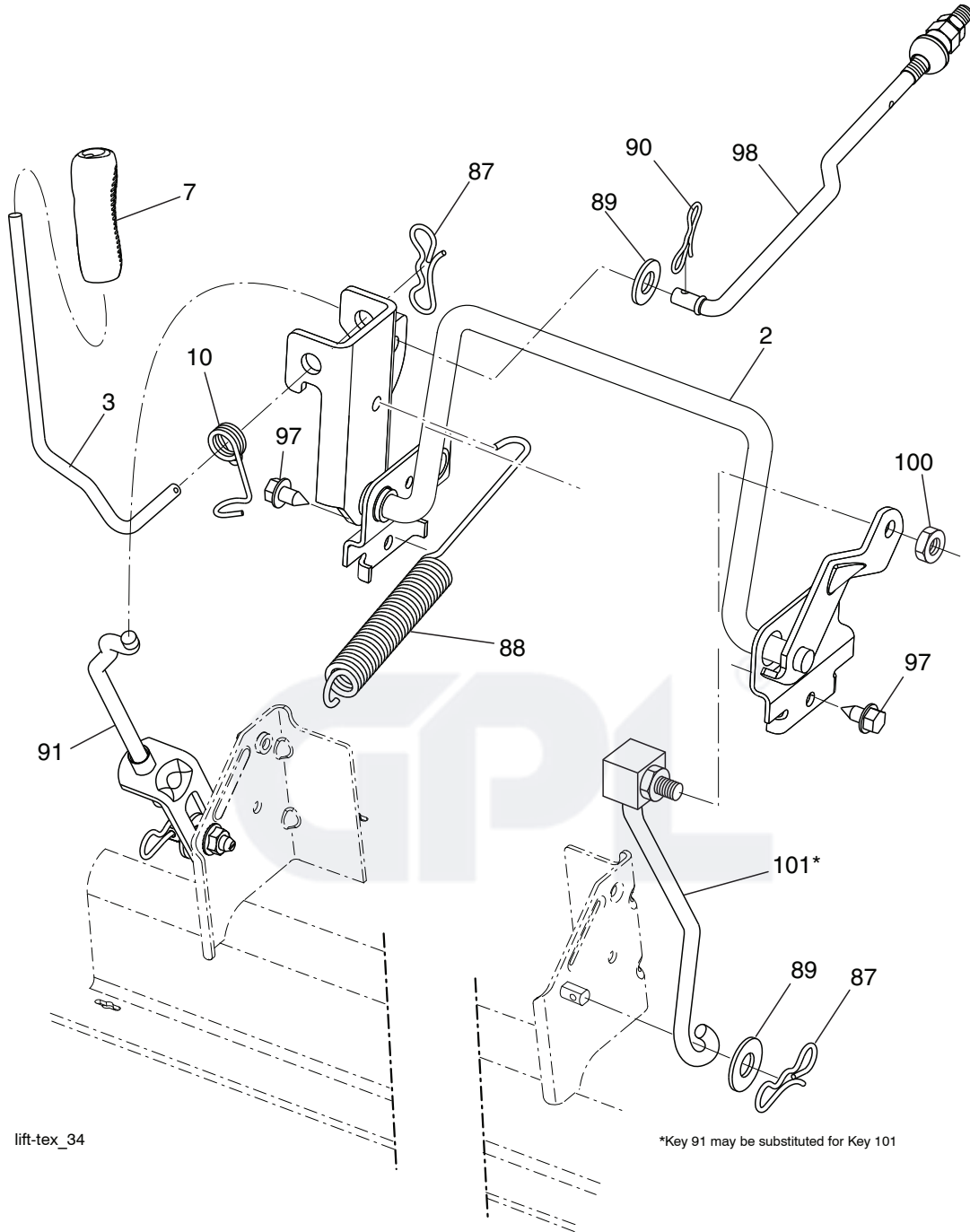
tex-deck_CRD_21

**TRACTOR - MODEL NO. CTH164T (96051003100), PRODUCT NO. 960 51 00-31
MOWER DECK 44**

KEY NO.	PART NO.	DESCRIPTION	KEY NO.	PART NO.	DESCRIPTION
1	580 46 53-02	Deck Weldment	105	532 44 14-78	Mandrel Cover LH
3	873 90 05-00	Nut Lock Hex Flange 5/16 - 18	110	532 41 53-56	Gear Output
5	817 00 05-10	Bolt 5/16-18	111	532 43 69-79	Gasket Gearcase
11	532 13 77-29	Screw Thd Roll 1/4 - 20 X 5/8	112	532 43 69-88	Shaft Gearcase
13	872 11 06-12	Bolt Carr Sh 3/8 - 16 X 1 - 1/2 Gr. 5	113	532 43 85-33	Plug Oil
14	532 15 60-85	Keeper Belt Idler	114	532 43 85-34	Valve Relief
16	873 90 06-00	Nut Lock FIG 3/8 - 16 unc	115	818 03 10-16	Screw Torx #10-24 x 1
17	532 40 02-34	Nut Flange Lock Top	116	872 11 04-14	Bolt 1/4-20 x 1.75 Gr. 5
18	532 18 76-90	Washer Spacer Mandrel	117	873 90 04-00	Nut Hex Flange 1/4-20 unc
19	532 11 04-85	Bearing Ball Mandrel	118	532 43 69-89	Arm Clutching
20	532 17 39-84	Screw Thread Roll	119	532 43 81-66	Gearcase Subasm
23	817 49 06-28	Screw Thdrol 3/8 - 16 X 1-3/4	120	532 43 69-91	Keeper Belt RH
27	532 44 58-34	V-Belt Drive	121	532 43 69-85	Washer
32	532 44 62-05	Spring Return Deck	124	532 43 69-86	Non Greasable Mandrel Shaft
33	532 18 72-81	Housing Mandrel 4pt Service	127	532 19 34-06	Bolt Shoulder 3/8-16 x 3-5/8 Gr. 5
34	532 19 28-72	Shaft Asm Mndrl N/Greaseable38	128	532 17 48-73	Wheel Guage
35	532 42 79-84	Blade Mower LH	129	532 40 48-51	Rod Anti-Sway
36	532 19 30-03	Bolt/Washer Asm 7/16 - 20 unf	130	819 13 13-12	Washer 13/32 x 13/16 x 12 Ga.
43	532 19 74-73	Pulley Mandrel	131	532 19 42-08	Pin Cotter 5/16 Bow Tie Lock
45	532 13 71-52	Housing Mandrel	132	532 17 88-99	Knob Handle
72	532 44 39-03	Chute Upper	143	532 43 55-38	Door Mulch
75	532 13 14-94	Pulley Idler Flat	144	532 43 58-61	Pin Hinge
76	532 41 55-98	Washout Port	145	532 43 79-88	E-Ring 5/16
84	532 40 01-40	Keeper Belt LH Mandrel	146	532 44 58-96	Spring Tex CRD EZ Mulch
85	532 42 79-85	Blade Mower RH	252	581 55 44-02	Plate 97 Left Bolt Reinforcing
86	532 18 17-13	Bolt 3/8-24 x 1.50 Gr. 8	253	581 55 45-02	Plate 97 LHS Bolt Reinforcing
87	810 03 06-00	Washer Lock Hvy 3/8	254	581 55 47-02	Plate 97 RHS Bolt Reinforcing
88	532 14 02-96	Washer Hard Blade Mower Vented	255	539 10 98-00	Carriage Bolt 1/4 - 20 x 1 Gr. 5
91	819 13 20-12	Washer 13/32 x 1-1/4 x 12 Ga.	--	532 19 28-70	Mandrel Assembly (Includes Housing, Shaft Assembly, And Bearing Only - Pulley/Nut/Washer And Blade Bolt/Washers Not Included.)
94	532 19 72-50	Bracket Clutch Cable	--	532 44 79-01	Replacement Mower Complete
96	532 40 02-71	Spacer			
97	532 18 20-61	Shield Idler Mower			
98	532 19 51-61	Stud Fastener			
99	532 19 51-86	Arm Suspension Mower Rear			
100	532 19 65-39	Bolt Shoulder			
101	873 68 09-00	Nut Crownlock 9/16 - 18 unc			
102	532 40 25-11	Spacer Bearing Swing Plate			
103	532 43 69-92	Guard Front Vent			
104	532 44 14-79	Mandrel Cover RH			

NOTE: All component dimensions given in U.S. inches
1 inch = 25.4 mm

TRACTOR - MODEL NO. CTH164T (96051003100), PRODUCT NO. 96051 00-31
MOWER LIFT 45



lift-tex_34

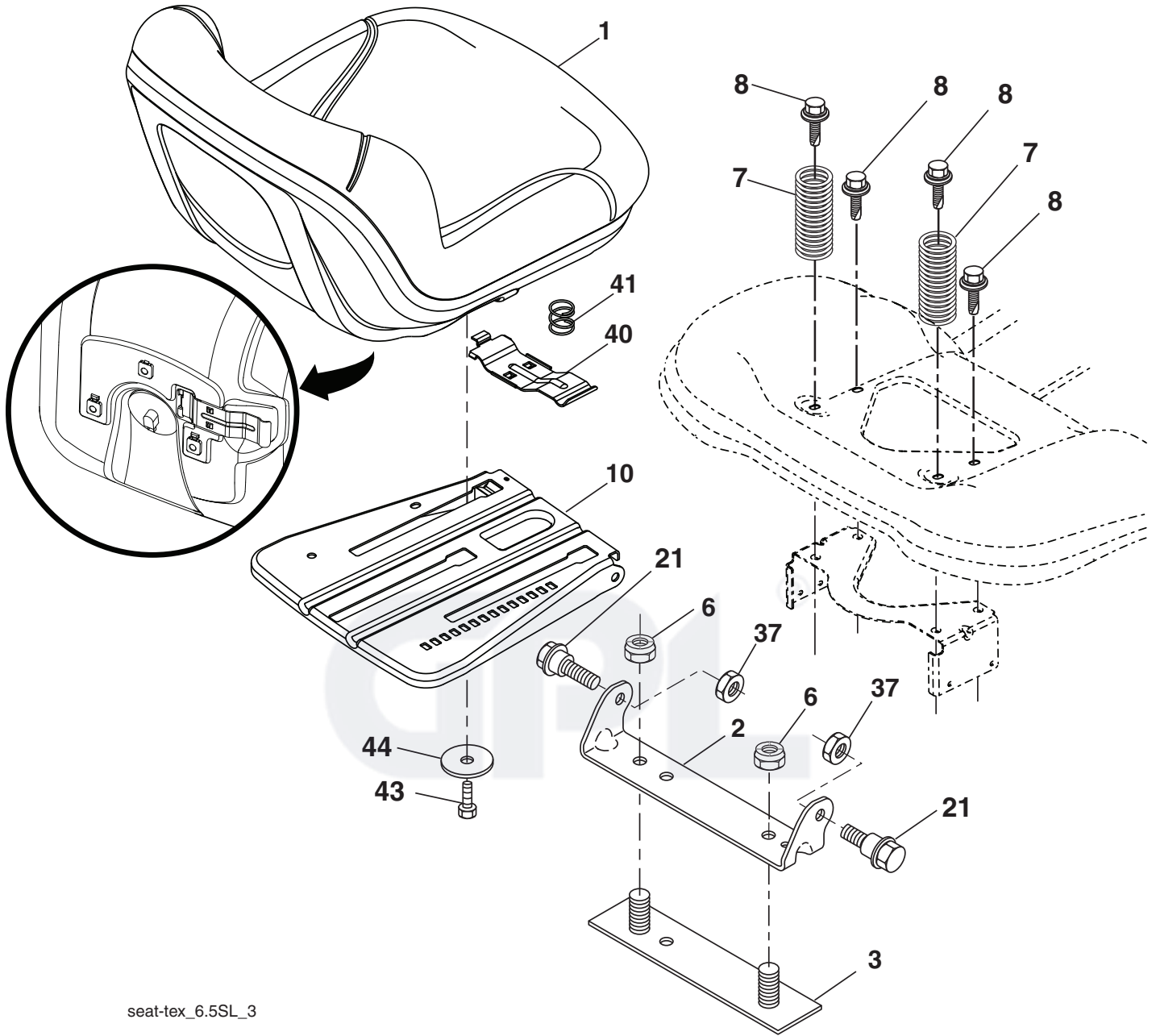
*Key 91 may be substituted for Key 101

KEY NO.	PART NO.	DESCRIPTION
2	532 43 69-96	Deck Lift Weldment
3	532 19 52-31	Lever Asm., Lift RH
7	532 41 15-55	Grip, Lever
10	532 19 63-14	Spring Torsion
27	532 19 42-09	Pin Cotter 7/16 Bow Tie Lock
88	532 44 54-96	Spring Lift Assist
89	819 19 19-12	Washer Clear Zinc
90	532 19 42-08	Pin Cotter 5/16 Bow Tie Lock
91	532 19 51-81	Link Lift Susp Mower Rear

KEY NO.	PART NO.	DESCRIPTION
97	817 49 06-08	Screw 3/8-16 x 1/2
98	532 19 52-70	Link Lift Susp. Front Mower
100	873 93 06-00	Nut Center Lock 3/8-16 unc
101	532 40 70-03	Link Asm Lift Fixed

NOTE: All component dimensions given in U.S. inches
 1 inch = 25.4 mm

**TRACTOR - MODEL NO. CTH164T (96051003100), PRODUCT NO. 960 51 00-31
SEAT ASSEMBLY 42**



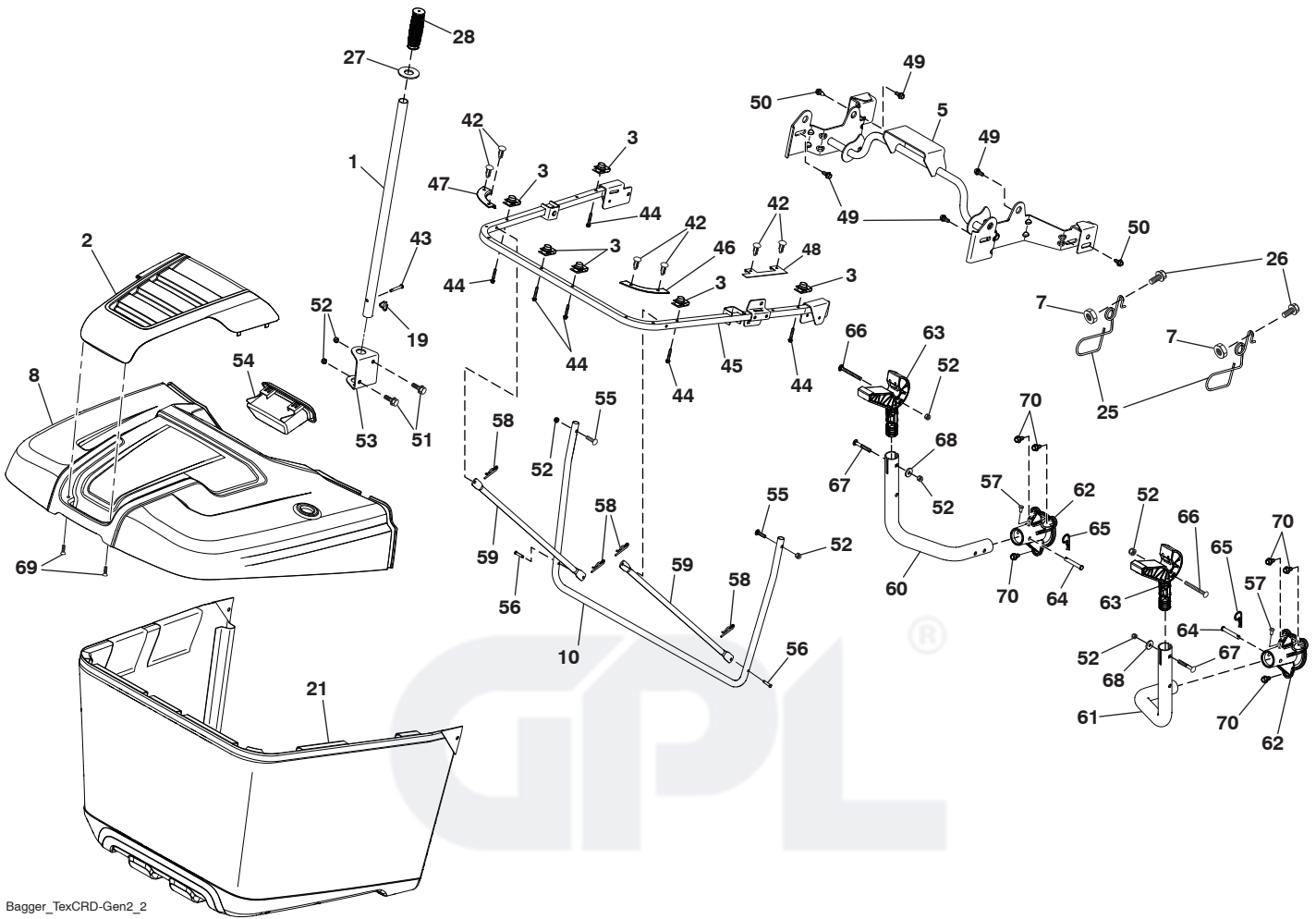
seat-tex_6.5SL_3

KEY NO.	PART NO.	DESCRIPTION
1	532 43 98-22	Seat
2	532 18 01-66	Bracket Pivot Fender
3	532 14 06-75	Strap, Asm Fender
6	873 80 06-00	Nut, Lock w/Ins. 3/8-16 unc
7	532 12 41-81	Spring, Seat Cprsn
8	532 17 18-77	Bolt 5/16-18 unc x 3/4 w/Sems
10	532 19 69-77	Pan, Seat
21	532 17 18-52	Bolt, Shoulder 5/16-18

KEY NO.	PART NO.	DESCRIPTION
37	873 80 05-00	Nut, Lock 5/16-18 unc
40	532 19 76-61	Handle Slide Seat
41	532 19 82-00	Spring Latch Seat
43	874 76 06-12	Bolt Fin Hex 3/8-16 unc x 3/4
44	819 13 38-12	Washer 13/32 x 2-3/8 x 12 Ga.

NOTE: All component dimensions given in U.S. inches
1 inch = 25.4 mm

TRACTOR - MODEL NO. CTH164T (96051003100), PRODUCT NO. 96051 00-31
BAGGER **46**



Bagger_TexCRD-Gen2_2

**TRACTOR - MODEL NO. CTH164T (96051003100), PRODUCT NO. 960 51 00-31
BAGGER 46**

KEY NO.	PART NO.	DESCRIPTION
1	532 42 86-10	Tube Handle Bagger
2	532 44 75-72	Applique Bagger
3	532 17 48-14	Nut Push
5	532 44 37-62	Frame Asm Top Bagger
7	873 90 04-00	Nut Hex Flange 1/4-20 unc
8	532 44 75-75	Cover Bagger
10	532 44 37-55	Frame Front
19	532 19 42-08	Cotter Pin 5/16 Bow Tie
21	532 44 59-43	Bag Asm
25	532 44 55-28	Latch Bagger
26	817 49 04-12	Screw Hexwsh Thdrol 1 1/4~20 x 3/4
27	532 44 55-29	Grommet Rubber
28	532 16 57-87	Grip Handle Black
42	532 44 04-28	Christmas Tree Clip
43	532 12 68-75	Clevis Pin
44	532 19 96-87	Bolt 1/4-20 1.50
45	532 44 37-54	Upper U Frame Weldment
46	532 44 55-41	RT Bagger Corner Close-Out
47	532 44 40-79	LH Bagger Corner Close-Out
48	532 44 40-80	Top Bagger Side Close-Out
49	532 17 18-73	Bolt Shoulder 5/16~ 18 TT
50	532 17 18-77	Bolt 5/16-18 unc x 3/4 W/SEMS
51	872 11 05-06	Bolt RDHDSQNK 5/16-18 unc x 3/4
52	873 80 05-00	Nut Lock HX W/INS 5/16-18 UNC
53	532 44 41-95	Bracket Dump Handle
54	532 44 72-18	Bagger TOP Front Handle
55	872 14 05-12	Bolt Rdhd Sq 5/16-18UNCX1 1/2
56	532 42 03-06	Pin Clevis .1830DX1.26 long
57	532 19 98-55	Screw Pan Head 1/4-20X1/2
58	532 08 51-79	Clip Retainer PM
59	532 44 47-63	Bagger Spread Tube
60	532 44 41-05	Bagger Support Tube Left
61	532 44 41-06	Bagger Support Tube Right
62	532 44 45-42	Cast Aluminum Support Bracket
63	532 44 41-10	Bagger PIV Manual Dump
64	532 43 04-22	Pin Clevis .375 x 2.375
65	532 12 47-88	Retainer Spring
66	532 44 67-23	Bolt Carraige 5/16-18 x 3.00
67	872 11 05-18	Bolt Carraige
68	819 11 16-10	Washer 11/32 x 1.00 x 10 Ga.
69	532 42 18-01	Screw #8
70	817 00 06-12	Bolt 3/8-16X3/4

NOTE: All component dimensions given in U.S. inches
1 inch = 25.4 mm

