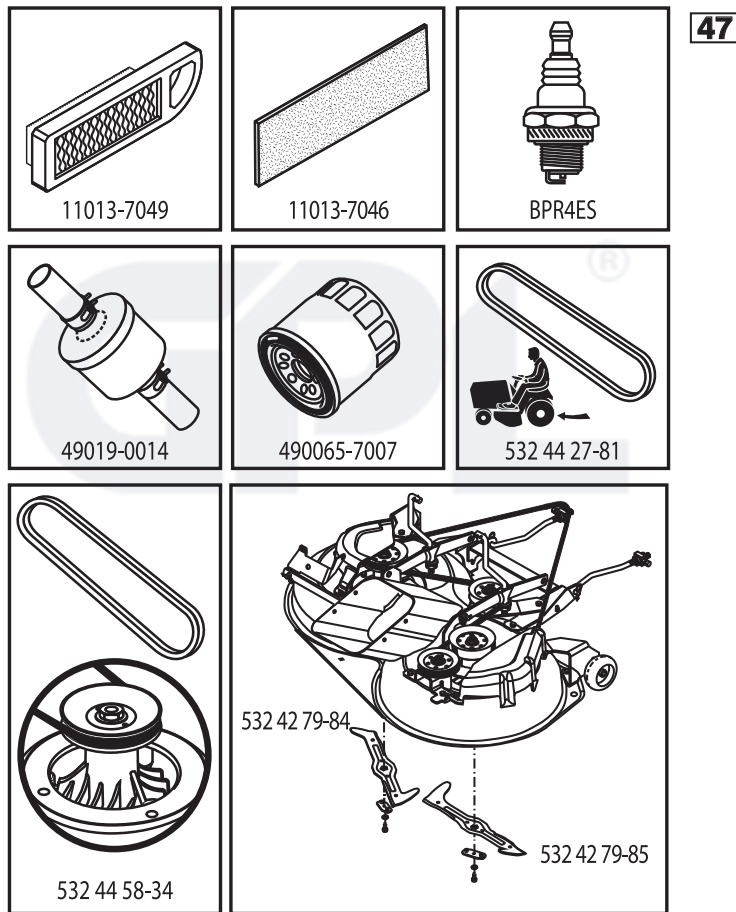


# ILLUSTRATED PARTS LIST

**MFG. ID NO. 96051007400**

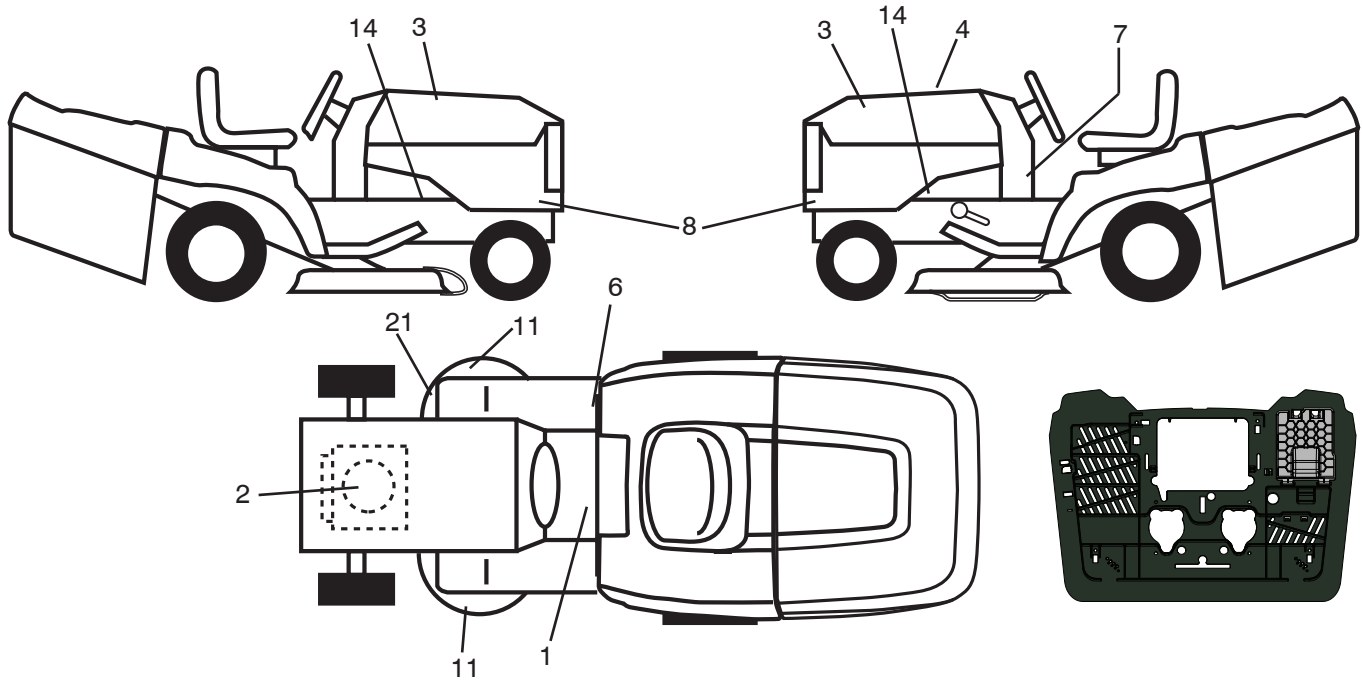
**CUSTOMER CATALOG NO. CTH164T**

**PRODUCT NO. 960 51 00-74**



581563801

**TRACTOR - MODEL NO. CTH164T (96051007400), PRODUCT NO. 96051 00-74  
DECALS 27**



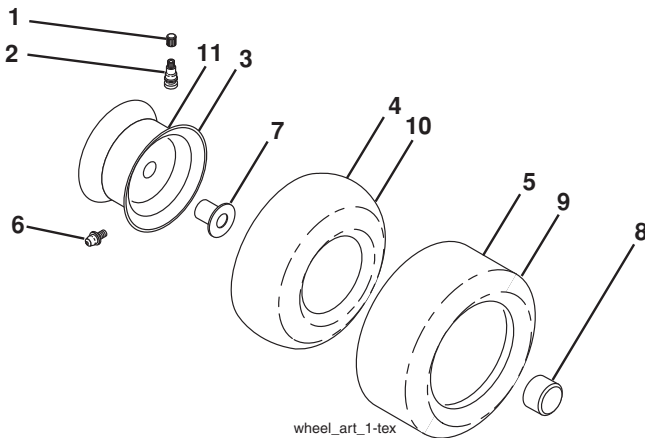
**KEY PART  
NO. NO.**

KEY PART NO.	NO.	DESCRIPTION
1	581 57 83-01	Decal, Warning Sym.
2	532 19 68-41	Decal, Warning Eng. Sym.
3	581 62 73-01	Decal, Hood
4	581 56 38-01	Decal, Replacement
6	581 72 41-01	Decal, 100 DBA
7	532 44 02-47	Decal, Lower Dash
8	532 44 61-59	Decal, Side Panel
11	581 57 91-01	Decal, Mower Cut Finger Symbol
14	581 57 96-01	Decal, Chassis Hot Muffler
21	532 44 11-89	Decal, Belt

**KEY PART  
NO. NO.**

KEY PART NO.	NO.	DESCRIPTION
--	532 44 51-02	Decal, Battery
--	532 44 46-19	Decal, Bypass
--	532 44 54-93	Decal, Info/Warning
--	532 44 14-09	Pad Footrest LH
--	532 44 14-10	Pad Footrest RH
--	581 59 06-40	Manual Operator's (Euro)
--	581 59 06-50	Manual Operator's (Scan)
--	581 59 06-20	Manual Operator's (E-Bloc)
--	581 59 06-30	Manual Operator's (Baltic)

**WHEELS AND TIRES**



**KEY PART  
NO. NO.**

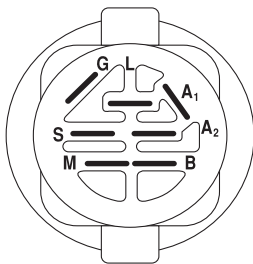
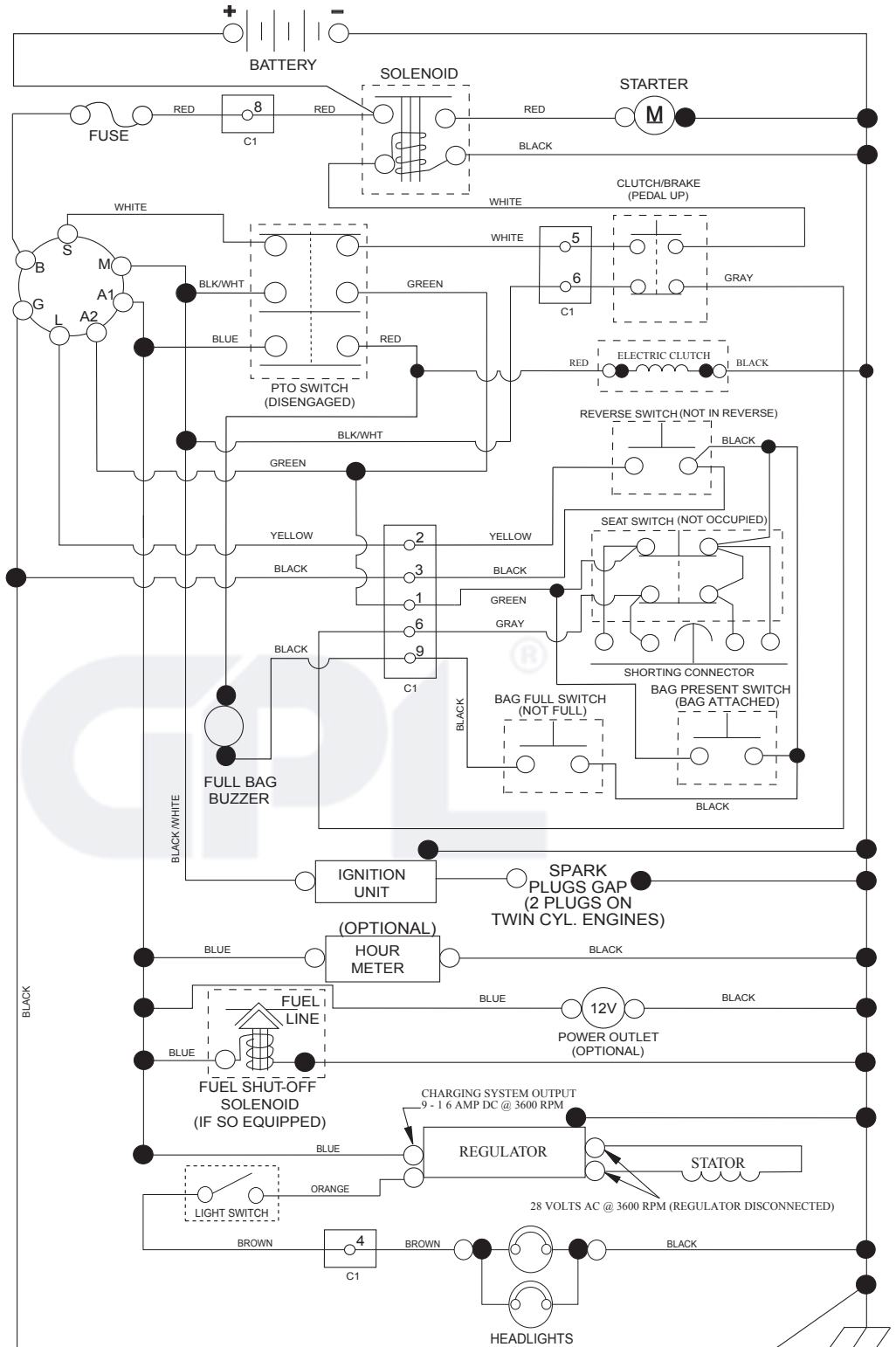
KEY PART NO.	NO.	DESCRIPTION
1	532 05 91-92	Cap Valve Tire
2	532 06 51-39	Stem Valve
3	532 13 83-36	Rim Front
4	532 05 99-04	Tube Front (Service Item Only)
5	532 10 62-22	Tire Front 15 x 6.0-6
6	532 12 49-57	Fitting Grease (Front Wheel Only)
7	532 12 49-59	Bearing Flange (Front Wheel Only)
8	532 17 50-39	Cap Axle Blk 1 50 x 1 00
9	532 42 05-31	Tire R 18 x 9.5-8
10	532 12 49-26	Tube Rear (Service Item Only)
11	532 13 83-37	Rim Asm 8" Rear
--	532 14 43-34	Sealant, Tire (10 oz. Tube)

**NOTE:** All component dimensions given in U.S. inches  
1 inch = 25.4 mm

# TRACTOR - MODEL NO. CTH164T (96051007400), PRODUCT NO. 960 51 00-74

## SCHEMATIC **38**

SCH19

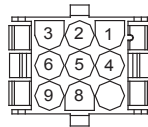


IGNITION SWITCH

POSITION	CIRCUIT	"MAKE"
OFF	M+G+A1	
RUN/OVERRIDE	B+A1	
RUN	B+A1	L+A2
START	B + S + A1	



CHASSIS HARNESS CONNECTOR (C1) (MATING SIDE)



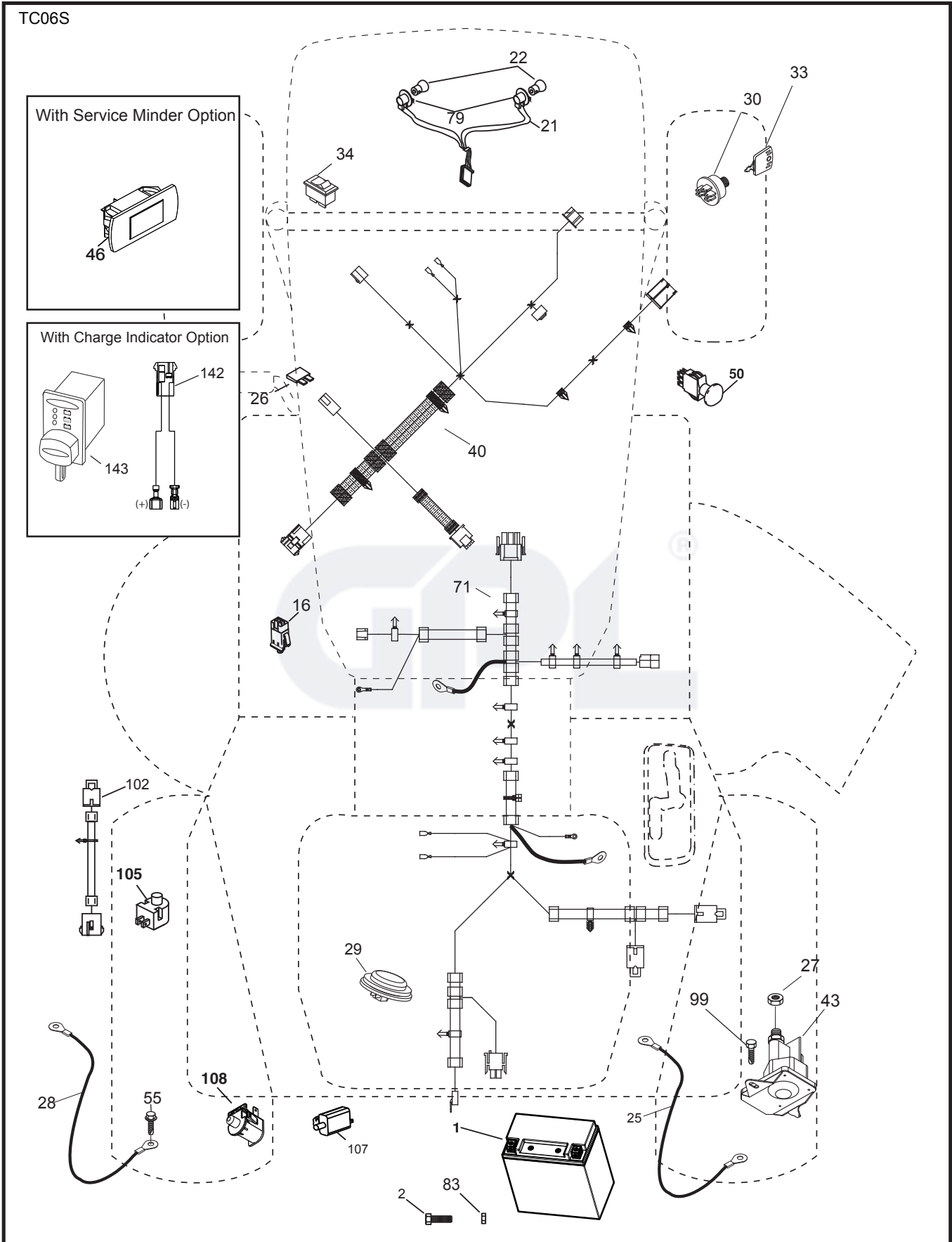
DASH HARNESS CONNECTOR (C1) (MATING SIDE)

WIRING INSULATED CLIPS  
NOTE: IF WIRING INSULATED CLIPS WERE REMOVED FOR SERVICING OF UNIT, THEY SHOULD BE RE-INSTALLED TO PROPERLY SECURE YOUR WIRING.

● NON-REMOVABLE CONNECTIONS

○ REMOVABLE CONNECTIONS

**TRACTOR - MODEL NO. CTH164T (96051007400), PRODUCT NO. 96051 00-74**  
**ELECTRICAL 32**

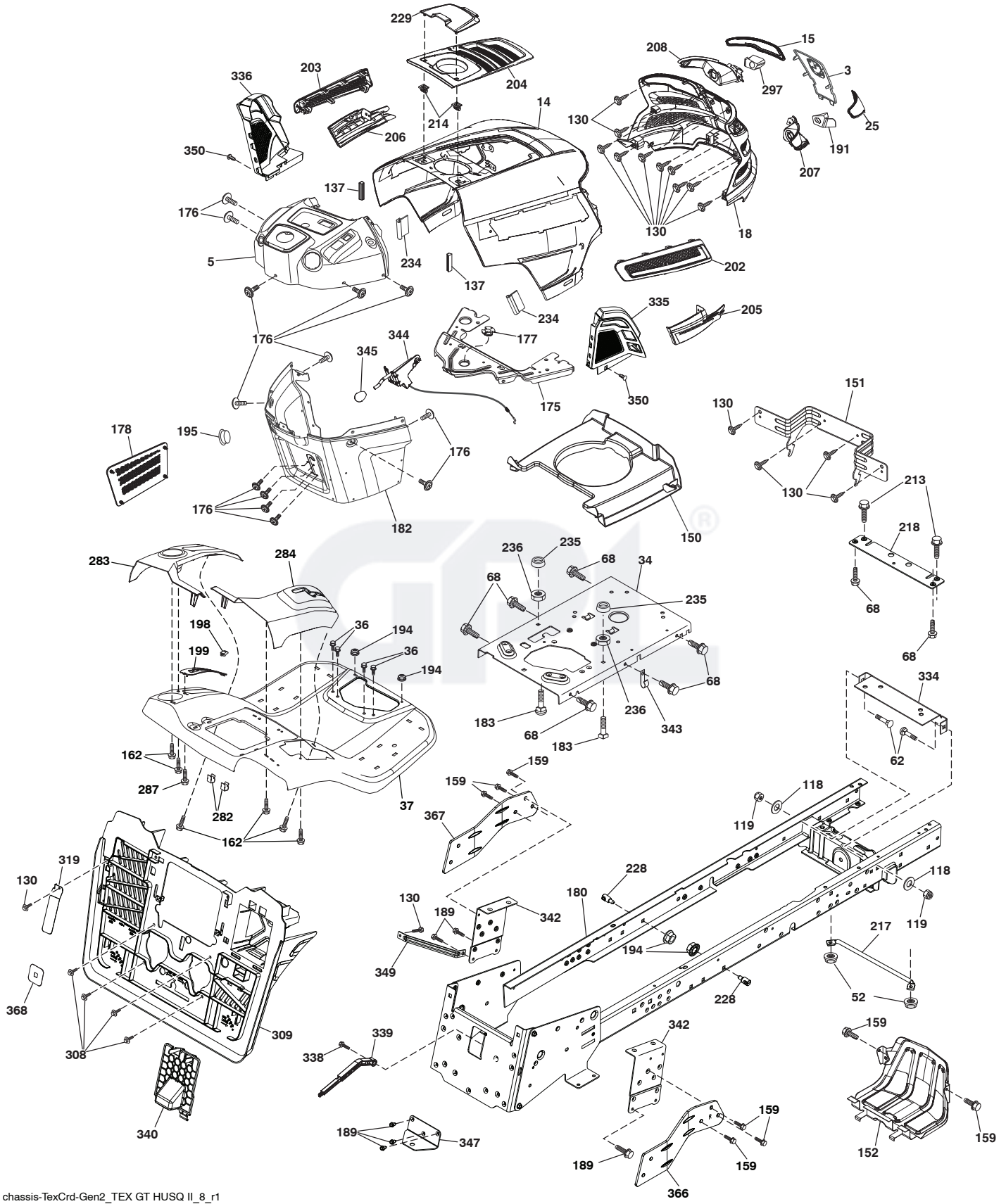


**TRACTOR - MODEL NO. CTH164T (96051007400), PRODUCT NO. 960 51 00-74  
ELECTRICAL 32**

<b>KEY NO.</b>	<b>PART NO.</b>	<b>DESCRIPTION</b>
1	532 43 71-57	Battery
2	532 44 09-23	Screw Hex Hd Cap M6 x 1.12MM
16	532 17 61-38	Switch Interlock Push-In
21	532 40 02-52	Harness Socket Light w/4152J
22	532 00 41-52	Bulb Light
25	532 44 13-82	Cable Starter
26	532 17 51-58	Fuse
27	873 51 04-00	Nut Keps Hex 1/4-20 unc
28	532 44 13-83	Cable, Ground
29	532 40 15-45	Switch, Seat
30	532 19 33-50	Switch, Ign
33	532 41 19-35	Key/Chain
34	532 11 07-12	Switch Light/Reset
40	581 68 64-01	Harness Ign. Dash
43	532 19 25-07	Solenoid
46	532 40 17-63	Gauge Serviceminder Hrmtr
50	532 17 46-51	Switch PTO
55	817 06 05-12	Screw Thdrol 5/16-18 x 3/4 TYTT
71	532 44 08-20	Harness Ignition (Chassis)
79	532 17 52-42	Socket Asm. Bulb
83	532 43 67-74	Nut Square M6 x 1.8.5 x 11MM
99	817 72 04-08	Screw 1/4-20 x 1/2
102	532 44 12-62	Harness Pigtail Tex ROS Tuff Torq.
105	532 40 75-68	Switch Reverse
107	532 18 03-79	Switch Tall Bagger
108	532 42 10-62	Switch Snapmount
142	532 44 80-57	Harness Charge Port

**NOTE:** All component dimensions given in U.S. inches  
1 inch = 25.4 mm

**TRACTOR - MODEL NO. CTH164T (96051007400), PRODUCT NO. 96051 00-74**  
**CHASSIS AND ENCLOSURES 39**



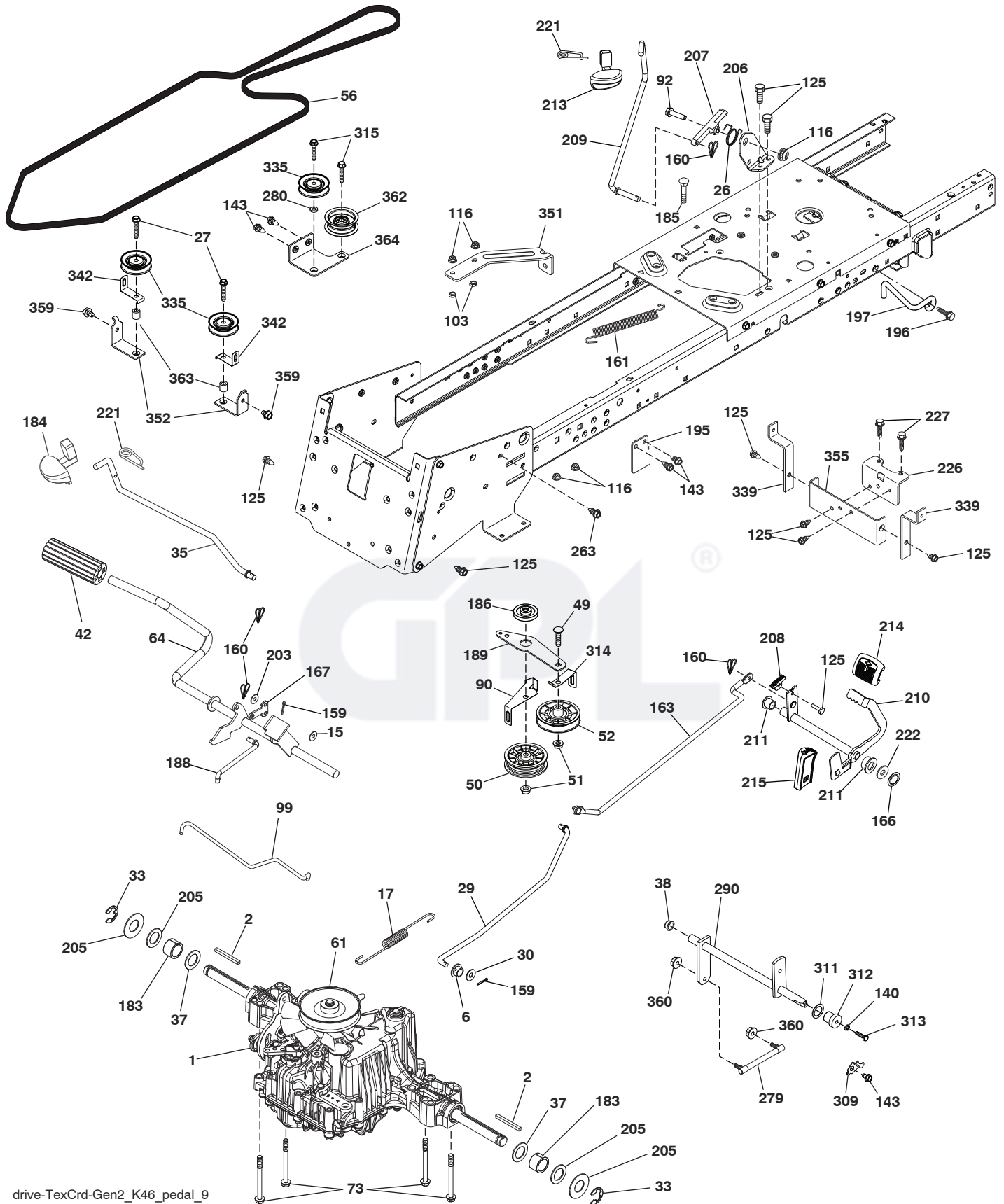
chassis-TeXCrd-Gen2\_TEX GT HUSQ II\_8\_r1

**TRACTOR - MODEL NO. CTH164T (96051007400), PRODUCT NO. 960 51 00-74  
CHASSIS AND ENCLOSURES 39**

KEY NO.	PART NO.	DESCRIPTION	KEY NO.	PART NO.	DESCRIPTION
3	532 43 97-52	Applique	208	532 43 97-35	Bezel LH
5	532 43 74-84	Dash	213	874 76 05-12	Bolt 5/16-18 x 3/4
14	532 44 11-77	Hood	214	532 19 91-45	Clip Retainer Tinner
15	532 43 97-33	Lens LH	217	532 40 91-67	Rod Pivot
18	532 44 06-53	Grille	218	532 19 63-95	X-Piece Hood Stop
25	532 44 33-85	Lens RH	228	532 19 51-61	Stud Fastner
34	580 91 09-01	Plate Engine	229	532 44 14-63	Lid Ext.
36	817 06 05-12	Screw 5/16-18 x 3/4	234	532 40 47-42	Bumper Hood
37	532 44 14-19	Fender	235	532 40 61-29	Spacer Fender
52	873 68 05-00	Nut Lock 5/16-18	236	873 93 05-00	Nut Lock 5/16-18 unc
62	872 11 06-08	Bolt RdHd Sqnk 3/8-16 x 1 Gr. 5	282	532 41 41-10	Clip Retainer
68	817 49 05-08	Screw Thdrol 5/16-18 x 1/2	283	532 44 72-12	Console Deck Lift LH
118	819 13 13-16	Washer 13/32 x 13/16 x 16 Ga.	284	532 44 72-20	Console Shft SRD RH
119	873 68 06-00	Nut Crownlock 3/8-16 unc	287	817 60 04-06	Screw 1/4-20 x 3/8
130	532 41 63-58	Screw #10 x 0.750	297	532 43 74-56	Insert Reflective LH
137	532 40 75-90	Bumper Dash	308	532 17 18-77	Bolt 5/16-18 unc x 3/4
150	532 43 97-31	Air Duct	309	581 32 89-07	Backplate
151	532 43 66-70	Bracket Pivot	319	581 31 39-06	Lever Bagger
152	532 43 98-70	Shield Browning	334	532 44 25-37	Bracket Engine
159	817 00 06-12	Screw Hexwsh Thrd 3/8-16 x 3/4	335	532 44 82-04	Cover RH Lower Close Out
162	532 14 24-32	Screw	336	532 44 53-09	Cover LH Lower Close Out
175	532 19 63-04	Crossmember	338	532 43 66-40	Bolt Shoulder
176	532 40 07-76	Screw 10-24 x 5/8	339	532 43 66-41	Lever Bagger Full
177	532 19 52-27	Bushing Steering	340	581 32 90-01	Door Pnt Battery tray Tex CRD
178	532 19 97-82	Cargo Asm. Net	342	532 43 59-38	Supprt Fender
180	583 90 27-01	Chassis	343	532 44 07-49	Clip
182	532 43 89-67	Dash Lower	344	532 43 89-70	Control EZ Mulch
183	874 52 05-20	Bolt 5/16-18 x 1-1/4	345	532 44 06-39	Knob
189	817 00 05-12	Screw 5/16-18 x 3/4	347	532 44 58-32	Hitch
191	532 43 74-55	Insert Reflective RH	349	532 43 66-06	LRVB Fuel Tank Support
194	873 90 05-00	Nut Lock Hex Flange 5/16-18	350	532 44 51-43	Clip X-mas Tree
195	532 40 41-37	Plug Hole Dash Lower	366	581 31 46-02	Bracket RH FR Bagger
198	532 44 15-52	Indicator	367	581 31 45-02	Bracket LH FR Bagger
199	532 41 87-39	Plate Deck Lift	368	581 42 48-01	Shroud
202	532 43 97-28	Vent Side Hood RH			
203	532 43 97-27	Vent Side Hood LH			
204	532 44 06-65	Vent Top Hood			
205	532 43 97-30	Skirt Hood Side RH			
206	532 43 97-29	Skirt Hood Side LH			
207	532 43 97-34	Bezel RH			

**NOTE:** All component dimensions given in U.S. inches  
1 inch = 25.4 mm

TRACTOR - MODEL NO. CTH164T (96051007400), PRODUCT NO. 96051 00-74  
DRIVE **40**



drive-TeXCrd-Gen2\_K46\_pedal\_9

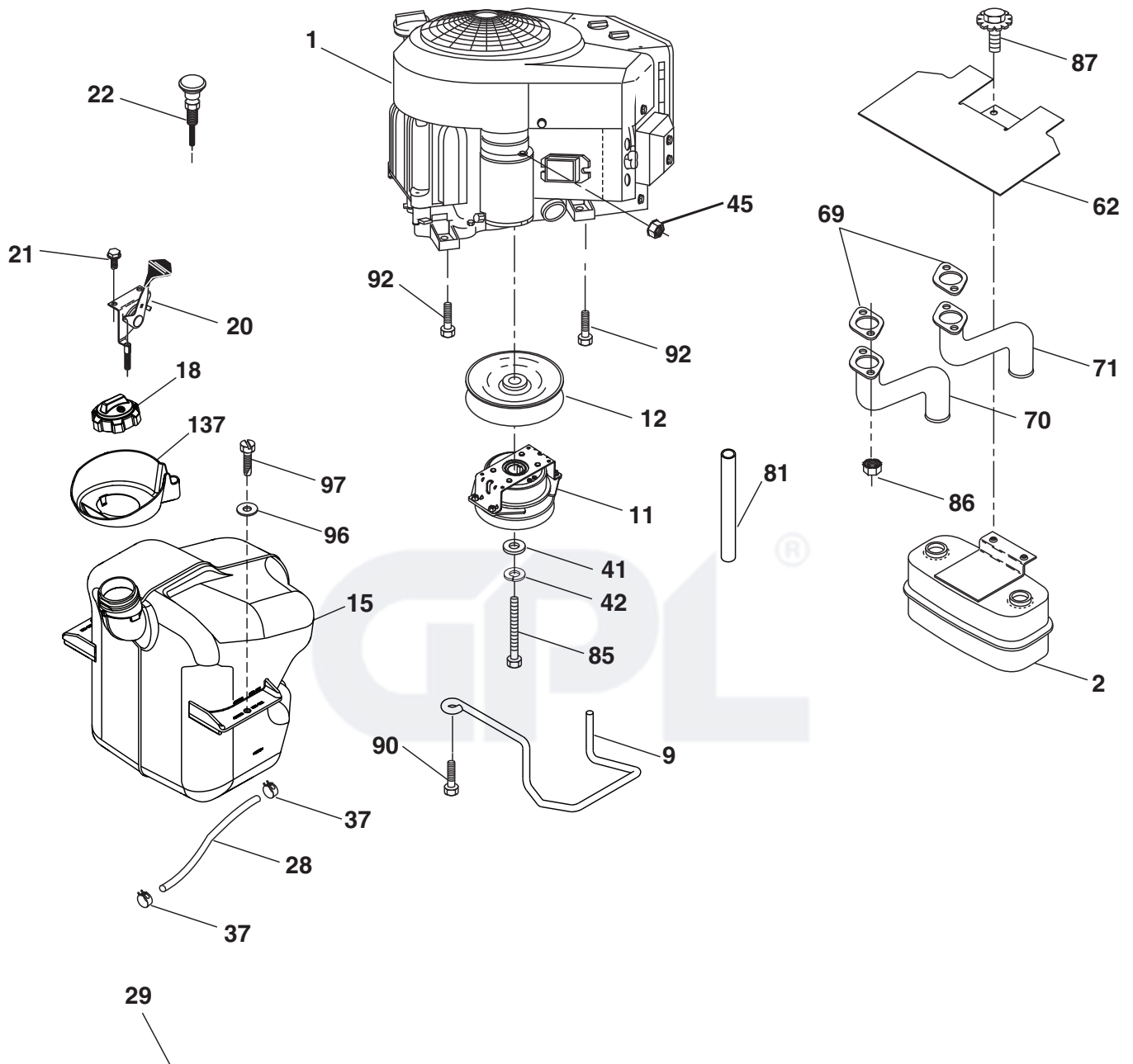


**TRACTOR - MODEL NO. CTH164T (96051007400), PRODUCT NO. 960 51 00-74  
DRIVE **40****

KEY NO.	PART NO.	DESCRIPTION
1	-----	Transaxle, Tufftorq K46DF (446488) (Order parts from transaxle manufacturer.)
2	532 12 35-83	Key Square
6	532 12 42-08	Bushing Snap
15	819 13 13-16	Washer 13/32 x 13/16 x 16 Ga.
17	532 43 62-27	Spring, Brake
26	532 19 96-79	Spring Return Cruise
27	817 49 05-28	Screw 5/16-18 x 1-3/4
29	532 44 27-95	Rod, Brake
30	819 13 16-16	Washer
33	812 00 00-01	Ring E
35	583 86 45-01	Rod, Brake, Park
37	532 12 17-49	Washer 25-32 x 1 1/4 x 16 Ga.
38	532 16 96-13	Nyliner Snap In
42	532 12 48-72	Cover, Foot Pedal
49	872 11 06-14	Bolt Rdhd 3/8-16 unc x 1-3/4 Gr. 5
50	532 19 43-27	Pulley Idler Flat
51	873 90 06-00	Lock Nut 3/8-16
52	532 19 43-26	Idler V-Groove
56	532 44 27-81	V-Belt, Drive
61	532 44 51-51	Pulley Transaxle
64	532 19 78-65	Shaft Asm. Pedal Brake Control
73	874 49 05-44	Bolt Hex 5/16-18 Gr. 5
90	532 44 36-05	Keeper Belt Clutching
92	874 76 05-20	Bolt
99	532 44 39-47	Rod Spring Bypass
103	873 35 05-00	Nut Hex Jam 5/16-18 unc
116	873 90 05-00	Nut Lock Hex Flange 5/16-18
125	817 00 05-12	Screw 5/16-18 x 3/4
140	810 04 04-00	Washer Lock 1/4
143	817 49 05-08	Screw Thdrol 5/16-18 x 1/2
159	876 02 04-12	Pin Cotter 1/8 x 3/4
160	532 16 94-84	Retainer Clip
161	532 10 57-09	Spring, Return, Clutch
163	532 44 27-93	Rod Control
166	532 42 91-64	Nut Push .625
167	532 40 52-57	Latch Brake Parking
183	532 13 70-57	Spacer Axle
184	532 44 14-55	Handle Parking Brake
185	872 11 06-22	Bolt Rdhd 3/8-16 unc x 2-3/4 Gr. 5
186	532 19 43-21	Spacer Retainer
188	532 19 43-23	Link Clutch Ground Drive
189	532 43 36-11	Bellcrank Ground Drive
195	580 45 69-01	Bracket Rod Brake

KEY NO.	PART NO.	DESCRIPTION
196	817 00 06-16	Screw 3/8-16 x 1
197	585 65 86-01	Link Clutch Anti-Rotation
203	819 11 11-16	Washer 11/32 x 11/16 x 16 Ga.
205	532 12 17-48	Washer 25/32 x 1-5/8 x 16 Ga.
206	532 44 85-96	Bracket Mount Latch Cruise
207	532 19 78-68	Latch Control Cruise
208	532 19 78-69	Gear Sector Control Cruise
209	532 19 95-92	Rod Control Cruise
210	532 40 09-80	Rocker Asm. Pedal
211	532 12 01-83	Bearing Nylon
213	532 40 31-19	Knob Control Cruise
214	532 42 12-63	Pedal Forward Pad
215	532 41 94-82	Pedal Reverse Pad
221	532 40 31-87	Retainer Spring
222	879 21 20-10	Washer 21/32 x 1-1/4 x 10 Ga.
226	532 40 15-64	Bracket Mount Torque
227	817 49 05-12	Screw Thdrol 5/16-18 x 3/4
263	817 00 06-12	Screw 3/8-16 x 3/4
279	532 44 42-83	Link Shift
280	819 11 10-12	Washer 11/32 x 5/8 x 12 Ga.
290	532 42 93-59	Shaft Asm. Crossshift
309	532 16 55-81	Plate Fstnr. Cross
311	532 16 98-45	Washer Nylon
312	532 16 56-14	Hub Tapered Round
313	874 78 04-16	Bolt Hex Fin 1/4-20 unc x 1 Gr. 5
314	532 44 47-13	Retainer Belt Spring
315	817 58 05-20	Screw Thdrol 5/16-18 x 1.25
335	532 19 95-34	Idler V Pulley Grnd. Dr.
339	532 43 68-67	Strap Torque
342	532 18 26-82	Keeper Belt 2.5"
351	532 43 69-98	Bracket Deck Sway
352	532 43 56-45	Bracket Idler
355	532 43 56-69	Bracket
359	817 49 06-10	Screw Thdrol 3/8-16 x 5/8
360	532 44 47-14	Nut Hex Centerlock 5/16-24 unf
362	532 43 68-12	Idler Flat 2.25"
363	532 44 27-80	Spacer .243 x .63 x .62
364	532 44 30-32	Bracket V-Idler

**NOTE:** All component dimensions given in U.S. inches  
1 inch = 25.4 mm



**SPARK ARRESTER KIT**

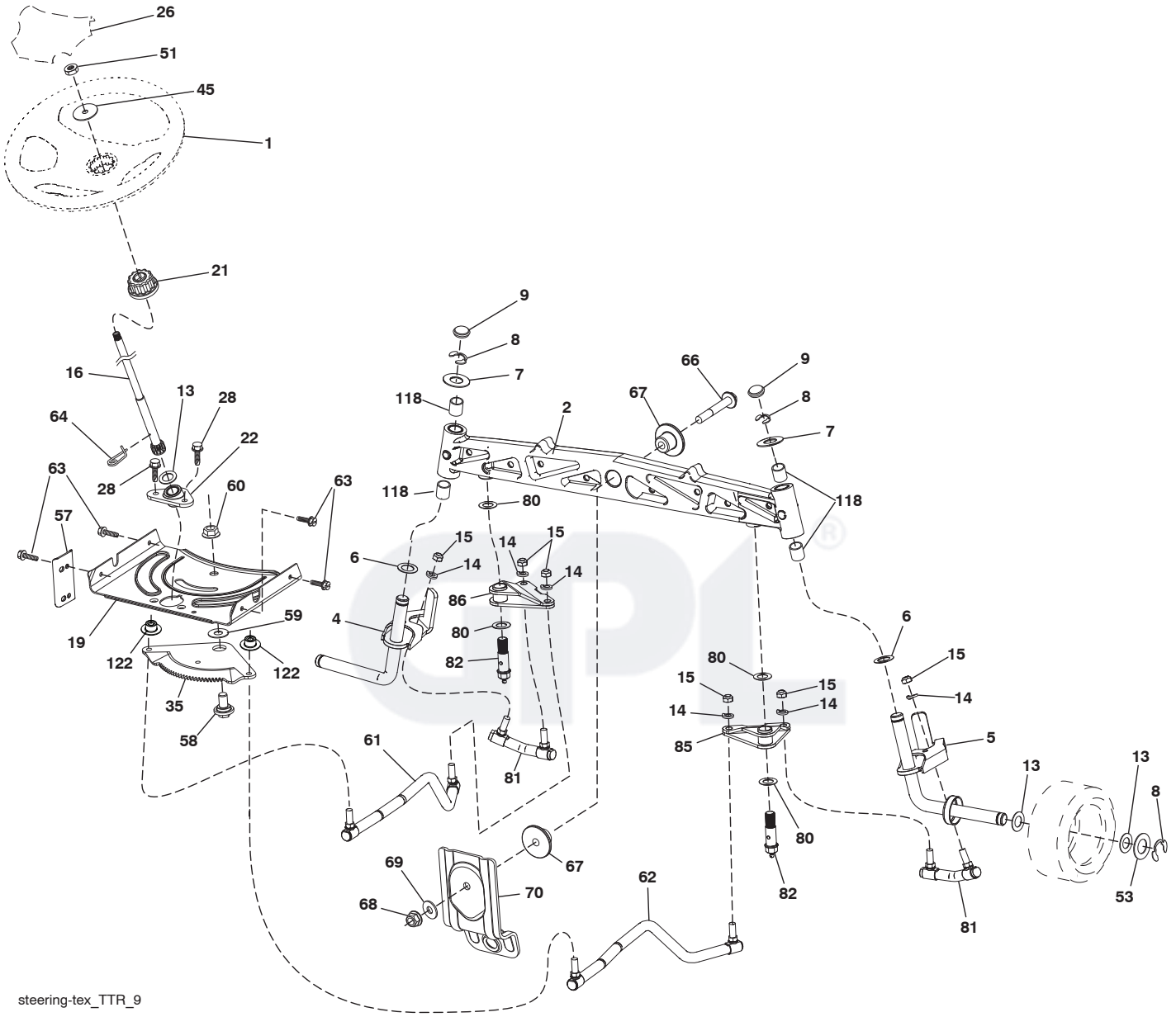
engine-tex\_Kawa-2cyl\_34

**TRACTOR - MODEL NO. CTH164T (96051007400), PRODUCT NO. 960 51 00-74  
ENGINE 24**

KEY NO.	PART NO.	DESCRIPTION
1	-----	Engine Kawasaki Model No. FS481V-CS53 (445365)(Order parts from engine manufacturer.)
2	532 44 59-62	Muffler
9	532 19 43-20	Keeper Belt Engine
11	587 24 16-01	Clutch Electric
12	532 40 50-97	Pulley Engine
15	532 43 58-16	Tank Fuel
18	532 44 14-62	Fuel Cap
20	532 41 21-65	Control Throttle
21	532 41 63-58	Screw # 10 x 0.750
22	532 18 95-41	Control Choke
28	532 13 70-40	Fuel Line
29	532 13 71-80	Spark Arrester Kit
37	532 12 34-87	Clamp Hose
41	532 12 61-97	Washer 1-1/2 OD x 15/32
42	810 04 07-00	Washer Lock 7/16
45	873 51 04-00	Nut Keps Hex 1/4-20 unc
62	532 43 40-17	Shield Heat Muffler
69	532 17 81-51	Gasket
70	532 42 47-65	Tube Exhaust LH
71	532 42 47-66	Tube Exhaust RH
81	532 14 84-56	Tube Drain Oil Easy
85	532 17 99-53	Bolt 7/16-20 x 3.75 Gr.
86	532 18 43-62	Nut Hex Flange Toplock M8-1.25
87	532 17 18-77	Bolt 5/16-18 unc x 3/4 w/Sems
90	817 00 06-16	Screw 3/8-16 x 1
92	817 12 06-16	Screw 3/8-16 x 1
96	819 09 14-16	Washer 9/32 x 7/8 x 16 Ga.
97	817 67 04-12	Screw 1/4-20 x 3/4
137	532 44 14-61	Spill Cup

**NOTE:** All component dimensions given in U.S. inches  
1 inch = 25.4 mm

**TRACTOR - MODEL NO. CTH164T (96051007400), PRODUCT NO. 96051 00-74**  
**STEERING ASSEMBLY [41]**



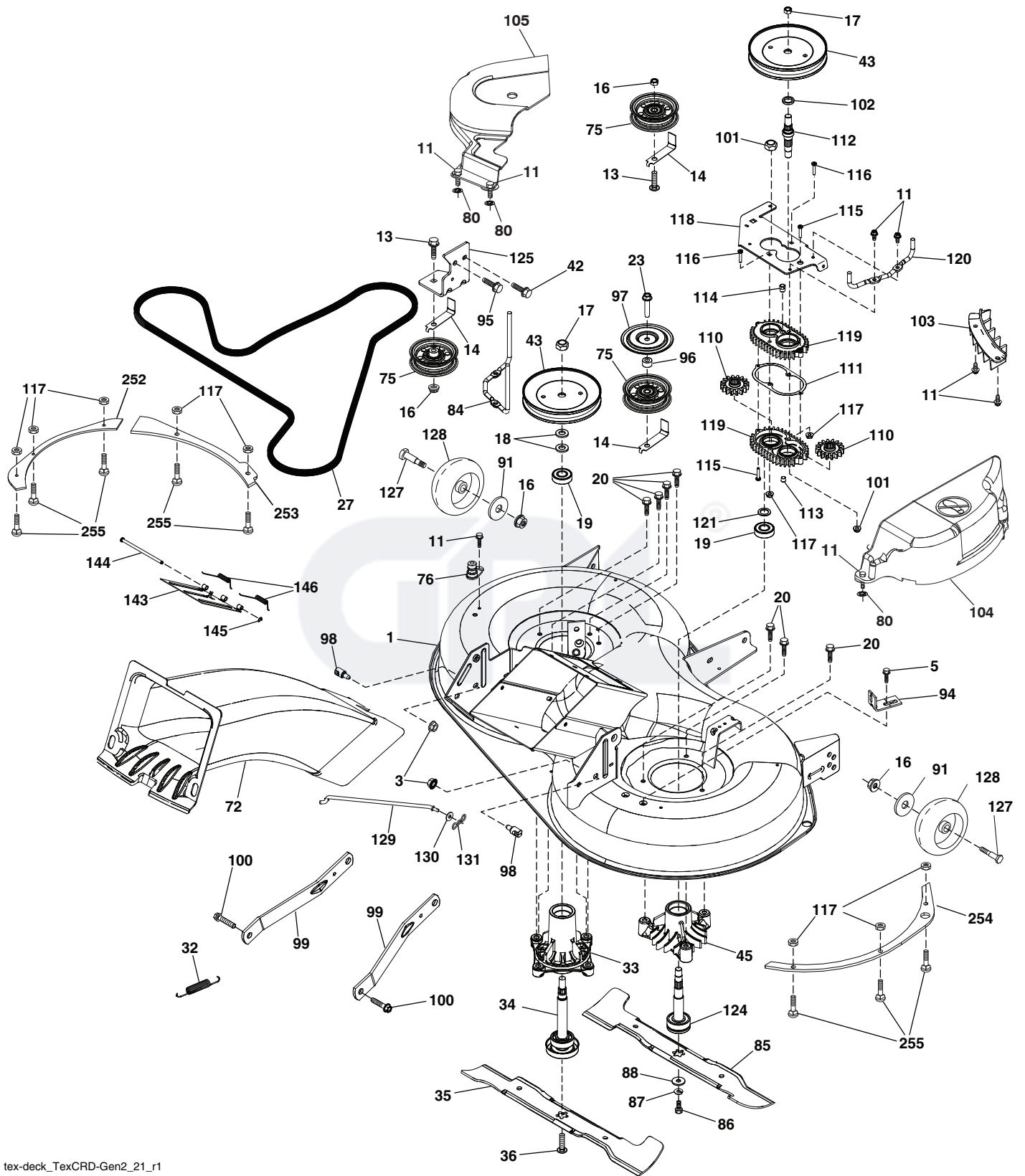
steering-tex\_TTR\_9

**TRACTOR - MODEL NO. CTH164T (96051007400), PRODUCT NO. 960 51 00-74  
STEERING ASSEMBLY **41****

<b>KEY NO.</b>	<b>PART NO.</b>	<b>DESCRIPTION</b>
1	532 43 97-40	Wheel, Steering
2	532 43 68-70	Axle Cast Iron
4	532 43 68-73	Spindle Asm., LH
5	532 43 68-74	Spindle Asm., RH
6	532 12 49-31	Washer, Thrust
7	532 12 17-48	Washer 25/32 x 1-5/8 x 16 Ga.
8	812 00 00-29	Ring, Klip #T5304-75
9	532 12 12-32	Cap, Spindle
13	532 12 17-49	Washer 25/32 x 1-1/4 x 16 Ga.
14	810 04 06-00	Washer, Lock Hvy Hlcl Spr 3/8
15	873 54 06-00	Nut, Crown Lock 3/8-24 unf
16	532 44 42-12	Shaft Steering
19	532 19 47-29	Plate Steering
21	532 43 77-47	Adapter, Wheel Steering
22	532 19 48-45	Bushing Asm.
26	532 43 97-43	Insert, Wheel Steering
28	817 00 06-12	Screw 3/8-16 x 3/4
35	532 44 07-70	Gear, Sector Plate
45	819 18 38-12	Washer 9/16 ID x 2-3/8 OD 12 Ga.
51	873 94 08-00	Nut Hex Jam Toplock 1/2-20 unf
53	532 18 89-67	Washer Hardened .793 x 1.637 x .060
57	532 40 74-65	Bracket Upstop
58	532 19 47-47	Bolt Shoulder Sector Pivot CFM
59	532 19 47-48	Washer Thrust Sector Steering
60	873 97 10-00	Nut Flange Lock 5/8-11
61	532 43 68-84	Draglink, LH
62	532 43 68-85	Draglink, RH
63	817 00 05-12	Screw 5/16-18 x 3/4
64	532 19 98-49	Retainer Clip Spring Steering
66	871 02 07-48	Bolt Hex Fghd 7/16-14 x 3 Serr
67	532 19 47-37	Bushing PM Front Axle
68	873 90 07-00	Nut Lock Flange 7/16-14 Gr. 5
69	532 19 91-62	Washer 1.5 x .505 x .118
70	532 19 61-97	Bracket Deck Susp. Front
80	532 00 13-70	Washer 5/8 x 1.10 x 1/32
81	532 43 68-87	Sub Asm. Link Cross
82	532 43 68-77	Sub Asm. Pivot Bolt
85	532 44 18-73	Sub Asm. Pivot RH
86	532 44 18-72	Sub Asm. Pivot LH
118	532 40 60-13	Bushing Axle
122	532 44 49-62	Cap Gear Sector

**NOTE:** All component dimensions given in U.S. inches  
1 inch = 25.4 mm

TRACTOR - MODEL NO. CTH164T (96051007400), PRODUCT NO. 96051 00-74  
MOWER DECK 44



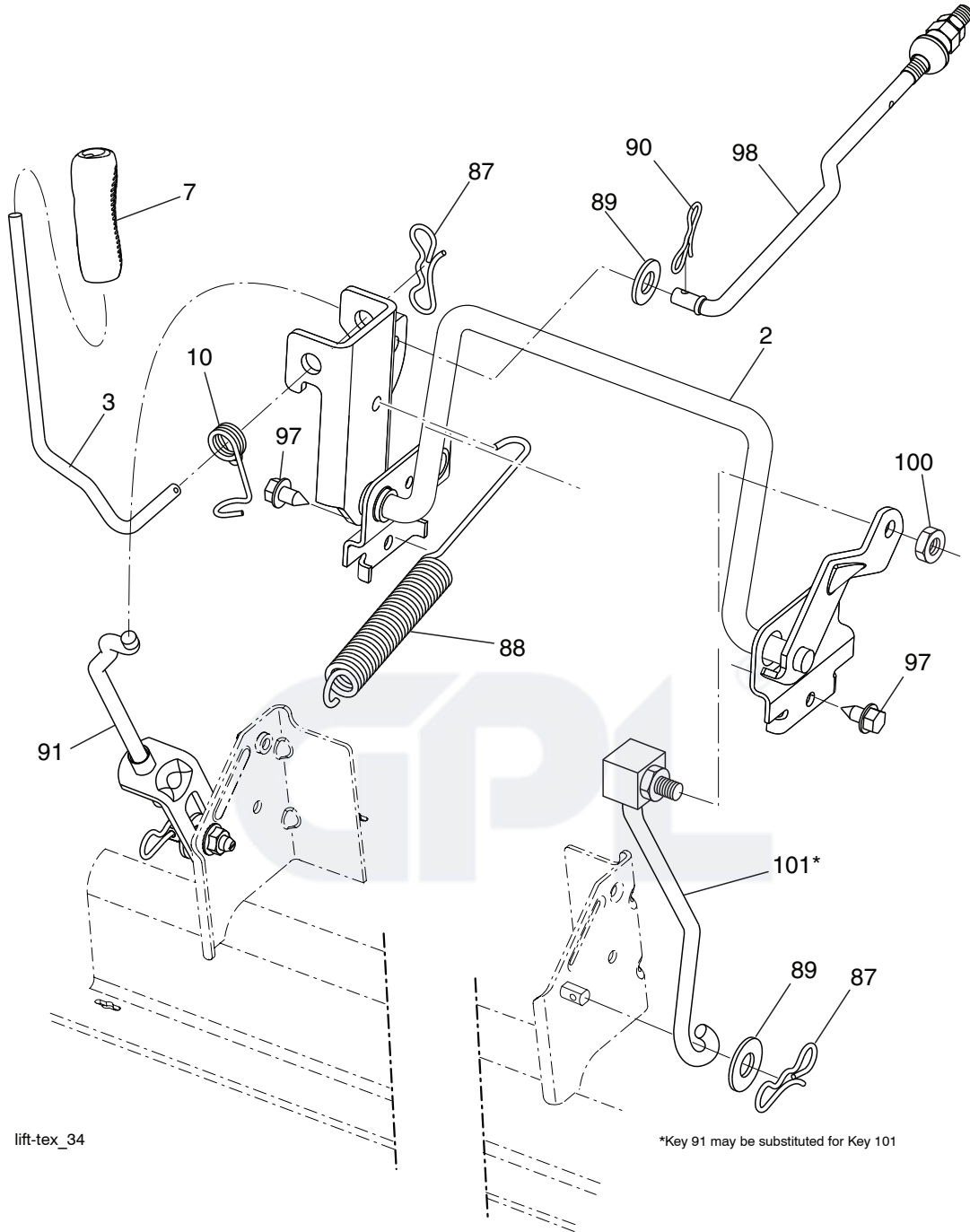
tex-deck\_TexCRD-Gen2\_21\_r1

**TRACTOR - MODEL NO. CTH164T (96051007400), PRODUCT NO. 960 51 00-74**  
**MOWER DECK 44**

KEY NO.	PART NO.	DESCRIPTION	KEY NO.	PART NO.	DESCRIPTION
1	580 46 53-02	Deck Weldment	103	532 43 69-92	Guard Front Vent
3	873 90 05-00	Nut Lock Hex Flange 5/16 - 18	104	532 43 89-68	Mandrel Cover RH
5	817 00 05-10	Bolt 5/16-18	105	532 43 87-44	Mandrel Cover LH
11	532 13 77-29	Screw Thd Roll 1/4 - 20 X 5/8	110	532 41 53-56	Gear Output
13	872 11 06-12	Bolt Carr Sh 3/8 - 16 X 1 - 1/2 Gr. 5	111	532 43 69-79	Gasket Gearcase
14	532 15 60-85	Keeper Belt Idler	112	532 44 38-52	Shaft Gearcase
16	873 90 06-00	Nut Lock FIG 3/8 - 16 unc	113	532 43 85-33	Plug Oil
17	532 40 02-34	Nut Flange Lock Top	114	532 43 85-34	Valve Relief
18	532 18 76-90	Washer Spacer Mandrel	115	818 03 10-16	Screw Torx #10-24 x 1
19	532 11 04-85	Bearing Ball Mandrel	116	872 11 04-14	Bolt 1/4-20 x 1.75 Gr. 5
20	532 17 39-84	Screw Thread Roll	117	873 90 04-00	Nut Hex Flange 1/4-20 unc
23	817 49 06-28	Screw Thdrol 3/8 - 16 X 1-3/4	118	532 43 69-89	Arm Clutching
27	532 44 58-34	V-Belt Drive	119	532 43 81-66	Gearcase Subasm
32	532 44 62-05	Spring Return Deck	120	532 43 69-91	Keeper Belt RH
33	532 18 72-81	Housing Mandrel 4pt Service	121	532 43 69-85	Washer
34	532 19 28-72	Shaft Asm Mndrl N/Greaseable38	124	532 43 69-86	Non Greasable Mandrel Shaft
35	532 42 79-84	Blade Mower LH	125	532 43 69-94	Bracket
36	532 19 30-03	Bolt/Washer Asm 7/16 - 20 unf	127	532 19 34-06	Bolt Shoulder 3/8-16 x 3-5/8 Gr. 5
42	817 00 05-12	Bolt	128	532 17 48-73	Wheel Guage
43	532 19 97-89	Pulley Mandrel	129	532 44 32-37	Rod Anti-Sway
45	532 13 71-52	Housing Mandrel	130	819 13 13-12	Washer 13/32 x 13/16 x 12 Ga.
72	581 45 41-01	Chute Upper	131	532 19 42-08	Pin Cotter 5/16 Bow Tie Lock
75	532 13 14-94	Pulley Idler Flat	143	532 43 55-38	Door Mulch
76	532 41 55-98	Washout Port	144	532 43 58-61	Pin Hinge
80	532 42 30-62	Palnut 1/4	145	532 43 79-88	E-Ring 5/16
84	532 40 01-40	Keeper Belt Mandrel	146	532 44 58-96	Spring
85	532 42 79-85	Blade Mower RH	252	581 55 44-02	Plate 97 Left Bolt Reinforcing
86	532 18 17-13	Bolt 3/8-24 x 1.50 Gr. 8	253	581 55 45-02	Plate 97 LHS Bolt Reinforcing
87	810 03 06-00	Washer Lock Hvy 3/8	254	581 55 47-02	Plate 97 RHS Bolt Reinforcing
88	532 14 02-96	Washer Hard Blade Mower Vented	255	539 10 98-00	Carriage Bolt 1/4 - 20 x 1 Gr. 5
91	819 13 20-12	Washer 13/32 x 1-1/4 x 12 Ga.	--	532 19 28-70	Mandrel Assembly (Includes housing (Key# 14), shaft assembly (Key# 13), and bearing (Key# 15) only - pulley/nut/washer and blade bolt/washers not included)
94	532 19 72-50	Bracket Clutch Cable			
95	817 00 06-12	Bolt			
96	532 40 02-71	Spacer			
97	532 18 20-61	Shield Idler Mower			
98	532 19 51-61	Stud Fastener	--	532 44 79-01	Replacement Mower Complete
99	532 19 51-86	Arm Suspension Mower Rear			
100	532 19 65-39	Bolt Shoulder			
101	873 68 09-00	Nut Crownlock 9/16 - 18 unc			
102	532 40 25-11	Spacer Bearing Swing Plate			

**NOTE:** All component dimensions given in U.S. inches  
1 inch = 25.4 mm

**TRACTOR - MODEL NO. CTH164T (96051007400), PRODUCT NO. 96051 00-74**  
**MOWER LIFT 45**



lift-tex\_34

\*Key 91 may be substituted for Key 101

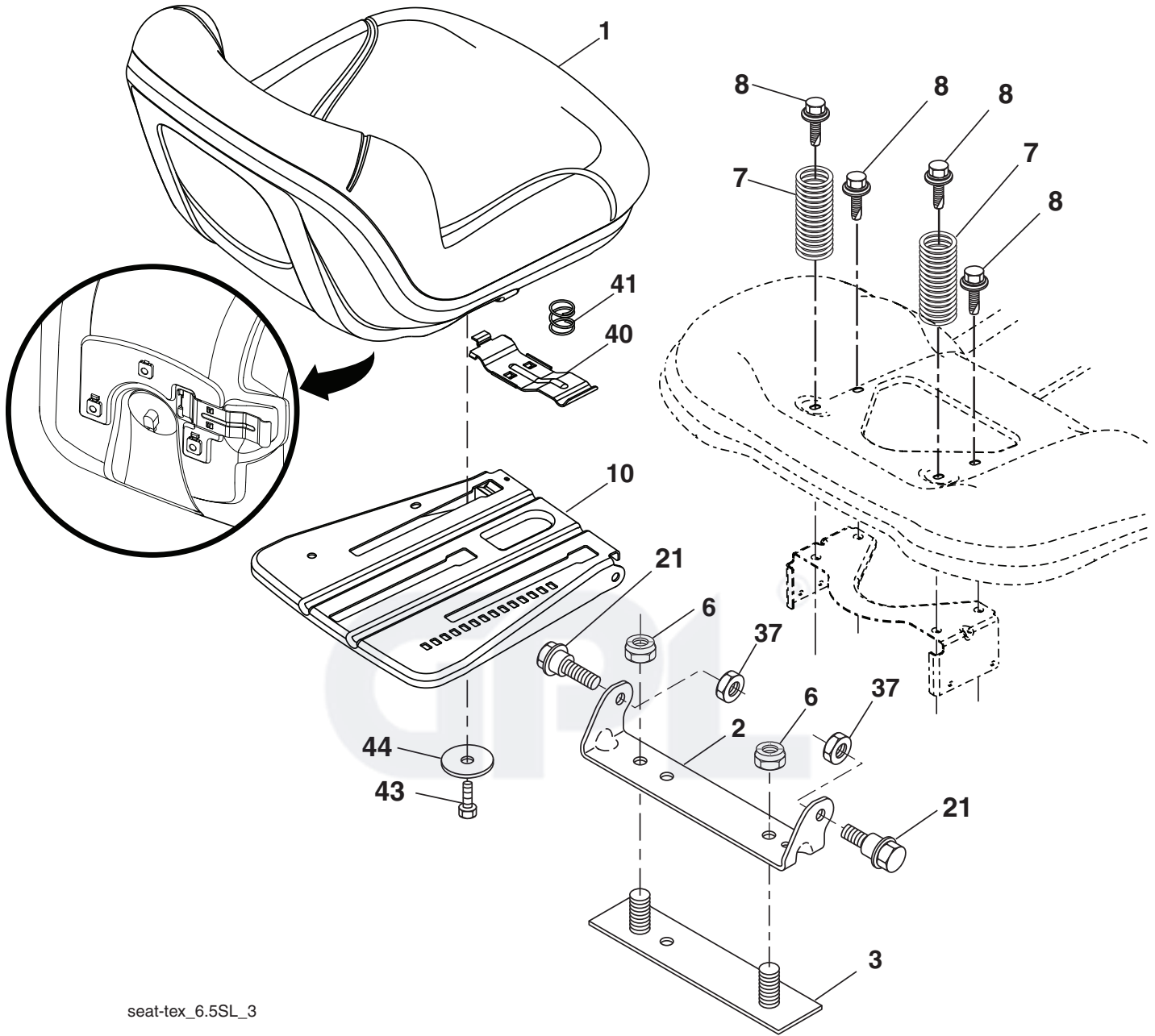
KEY NO.	PART NO.	DESCRIPTION
2	532 43 69-96	Deck Lift Weldment
3	532 19 52-31	Lever Asm., Lift RH
7	580 96 23-01	Grip, Lever
10	532 19 63-14	Spring Torsion
87	532 19 42-09	Pin Cotter 7/16 Bow Tie Lock
88	532 44 54-96	Spring Lift Assist
89	819 19 19-12	Washer Clear Zinc
90	532 19 42-08	Pin Cotter 5/16 Bow Tie Lock
91	532 19 51-81	Link Lift Susp Mower Rear

KEY NO.	PART NO.	DESCRIPTION
97	817 49 06-08	Screw 3/8-16 x 1/2
98	532 19 52-70	Link Lift Susp. Front Mower
100	873 93 06-00	Nut Center Lock 3/8-16 unc
101	532 40 70-03	Link Asm Lift Fixed

**NOTE:** All component dimensions given in U.S. inches  
 1 inch = 25.4 mm



**TRACTOR - MODEL NO. CTH164T (96051007400), PRODUCT NO. 960 51 00-74  
SEAT ASSEMBLY 42**



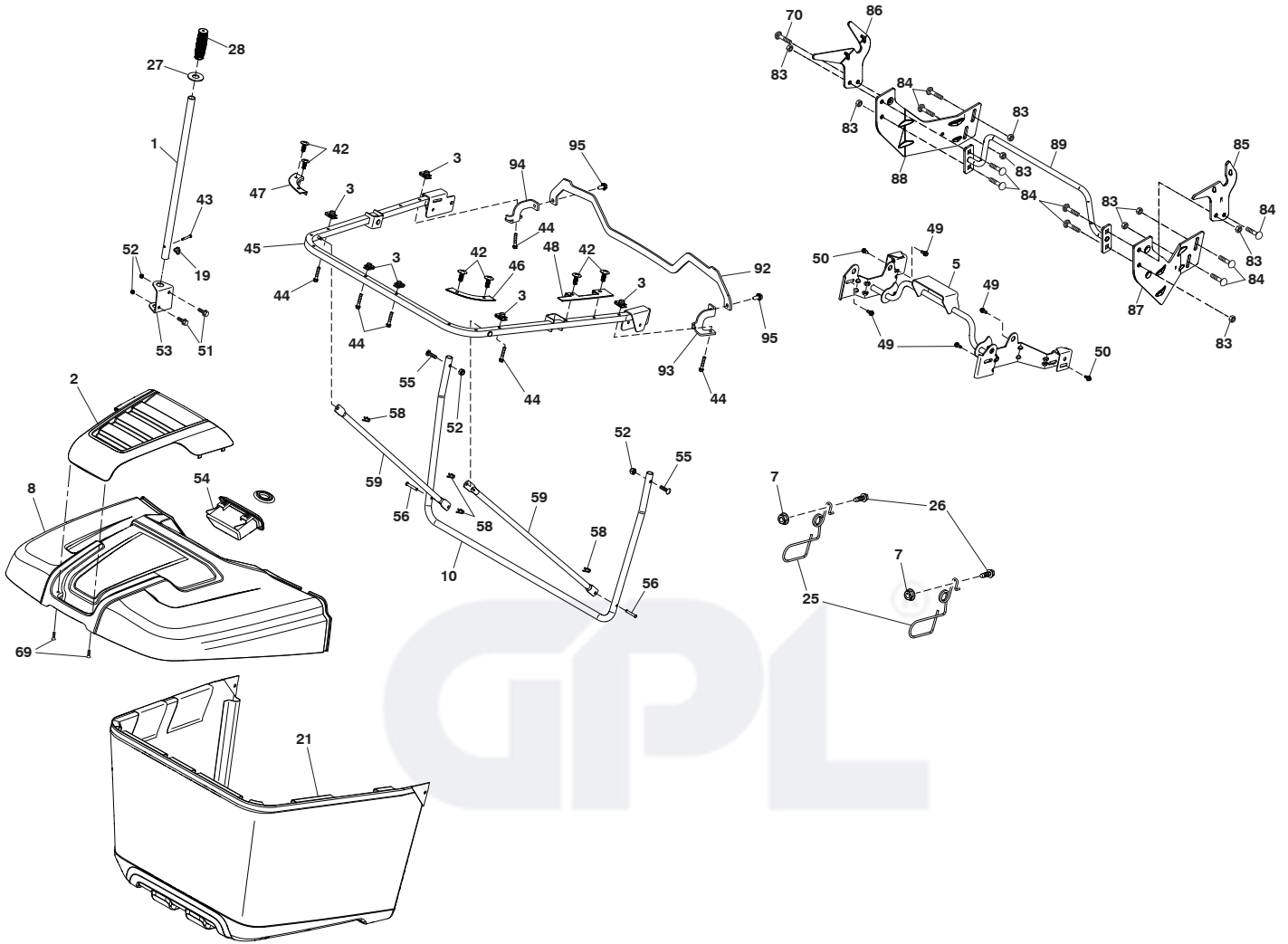
seat-tex\_6.5SL\_3

KEY NO.	PART NO.	DESCRIPTION
1	532 43 98-22	Seat
2	532 18 01-66	Bracket Pivot Fender
3	532 14 06-75	Strap, Asm Fender
6	873 80 06-00	Nut, Lock w/Ins. 3/8-16 unc
7	532 12 41-81	Spring, Seat Cprsn
8	532 17 18-77	Bolt 5/16-18 unc x 3/4 w/Sems
10	532 19 69-77	Pan, Seat
21	532 17 18-52	Bolt, Shoulder 5/16-18

KEY NO.	PART NO.	DESCRIPTION
37	873 80 05-00	Nut, Lock 5/16-18 unc
40	532 19 76-61	Handle Slide Seat
41	532 19 82-00	Spring Latch Seat
43	874 76 06-12	Bolt Fin Hex 3/8-16 unc x 3/4
44	819 13 38-12	Washer 13/32 x 2-3/8 x 12 Ga.

**NOTE:** All component dimensions given in U.S. inches  
1 inch = 25.4 mm

TRACTOR - MODEL NO. CTH164T (96051007400), PRODUCT NO. 96051 00-74  
BAGGER **46**



Bagger\_TexCRD-Gen2\_7

**TRACTOR - MODEL NO. CTH164T (96051007400), PRODUCT NO. 960 51 00-74  
BAGGER 46**

<b>KEY NO.</b>	<b>PART NO.</b>	<b>DESCRIPTION</b>
1	532 42 86-10	Tube Handle Bagger
2	532 44 75-72	Applique Bagger
3	532 17 48-14	Nut Push
5	532 44 37-62	Frame Asm Top Bagger
7	873 90 04-00	Nut Hex Flange 1/4-20 unc
8	532 44 75-75	Bagger Top
10	532 44 37-55	Frame Front
19	532 19 42-08	Cotter Pin 5/16 Bow Tie
21	532 44 59-43	Bag Asm
25	532 44 55-28	Latch Bagger
26	817 49 04-12	Screw Hexwsh Thdrol 1 14~20 x 3/4
27	532 44 55-29	Grommet Rubber
28	532 16 57-87	Grip Handle Black
42	532 44 04-28	Christmas Tree Clip
43	532 12 68-75	Clevis Pin
44	532 19 96-87	Bolt 1/4-20 1.50
45	532 44 37-54	Upper U Frame Weldment
46	532 44 55-41	RT Bagger Corner Close-Out
47	532 44 40-79	LH Bagger Corner Close-Out
48	532 44 40-80	Top Bagger Side Close-Out
49	532 17 18-73	Bolt Shoulder 5/16~ 18 TT
50	532 17 18-77	Bolt 5/16-18 unc x 3/4 W/SEMS
51	872 11 05-06	Bolt RDHDSQNK 5/16-18 unc x 3/4
52	873 80 05-00	Nut Lock HX W/INS 5/16-18 unc
53	532 44 41-95	Bracket Dump Handle
54	532 44 72-18	Bagger TOP Front Handle
55	872 14 05-12	Bolt Rdhd Sq 5/16-18 UNC x 1 1/2
56	532 42 03-06	Pin Clevis .1830DX1.26 long
58	532 08 51-79	Clip Retainer PM
59	532 44 47-63	Bagger Spread Tube
69	532 42 18-01	Screw
70	817 00 06-12	Bolt 3/8-16 x 3/4
83	873 80 06-00	Nut Lock 3/8-16 unc
84	872 11 06-08	Bolt 3/8-16 x 1
85	581 31 44-02	Bracket RH Pivot
86	581 31 43-02	Bracket LH Pivot
87	581 31 48-02	Bracket RH
88	581 31-47-02	Bracket LH
89	581 31 51-02	Weldment Offset Strut
92	586 05 23-02	Bracket Top Support
93	586 05 24-02	Bracket Support RH
94	586 05 25-02	Bracket Support LH
95	817 00 05-12	Screw 5/16-18 x 3/4

**NOTE:** All component dimensions given in U.S. inches  
1 inch = 25.4 mm

