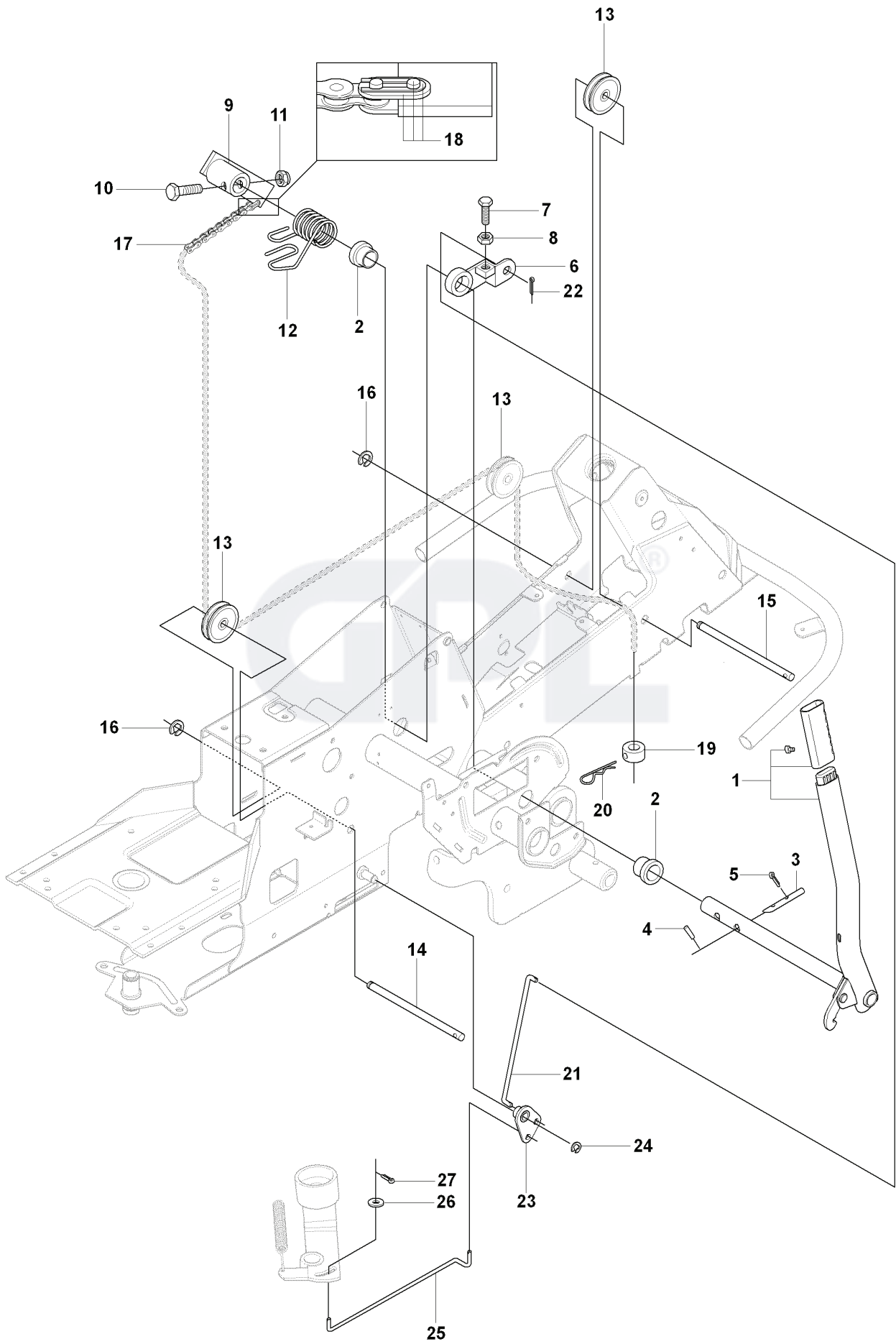


FR2211 M, 965190201, 2008-01



SPARE PARTS LIST

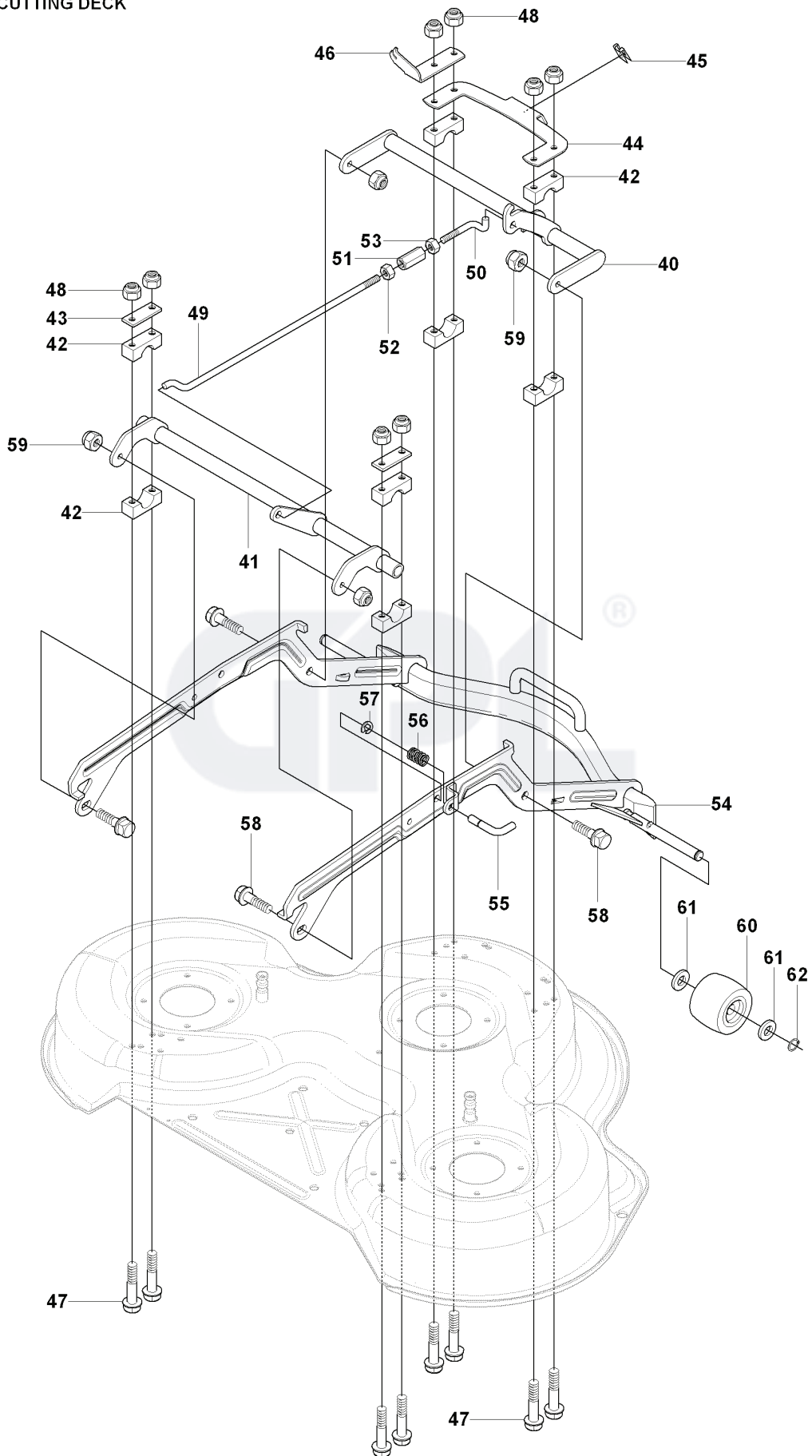
E 965 19 02-01 FR2211 M
MOWER LIFT



REF.	PART NO.	DESCRIPTION	REMARK	QTY.	KIT
1	501018602	LIFTING LEVER ASSY		1	
2	506556501	BEARING		2	
3	506905301	PEN		1	
4	721125930	GROOVED PIN		1	
5	721618301	SPLIT PIN		1	
6	506784301	LINK ASSY		1	
7	725249751	SCREW		1	
8	731232051	HEXAGON NUT		1	
9	544433601	LIFTING ARM		1	
10	725254251	SCREW EHHM		1	
11	732252201	HEXAGON LOCKING NUT		1	
12	506916801	SPRING		1	
13	506905601	OFFSET PULLEY		2	
14	506905701	SHAFT		1	
15	506905702	SHAFT		1	
16	735311820	E-CLIP		2	
17	506554607	CHAIN		1	
18	506554701	LINKAGE		1	
19	544934201	CHAIN STOP		1	
20	506966601	HAIR PIN COTTER		1	
21	544456901	CONNECTION ROD		1	
22	721618301	SPLIT PIN		1	
23	544378601	LINK		1	
24	735311420	E-CLIP		1	
25	544448801	CONNECTION ROD		1	
26	734116441	WASHER		1	
27	721618301	SPLIT PIN		1	



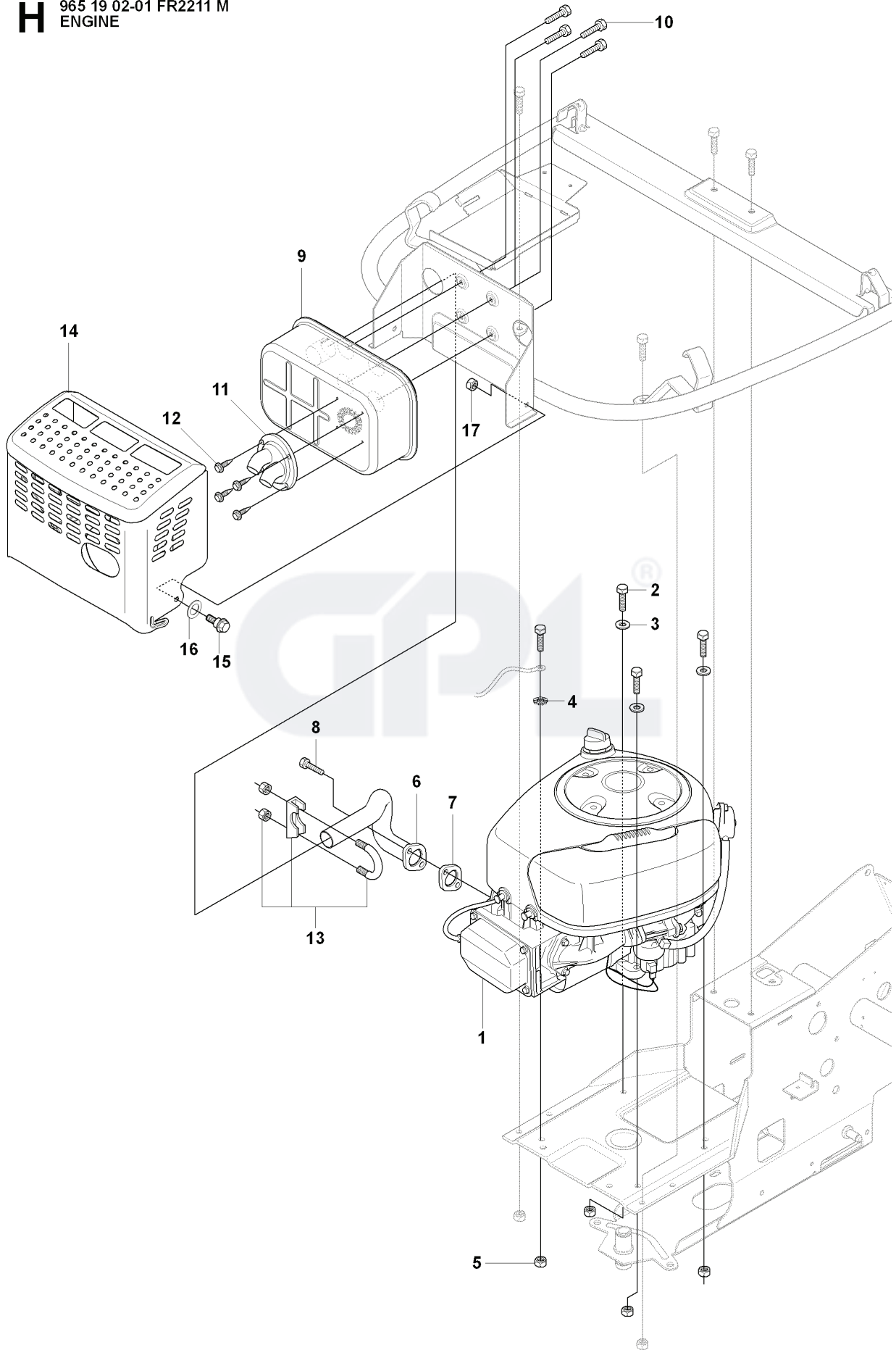
T1 965 19 02-01 FR2211 M
CUTTING DECK



REF.	PART NO.	DESCRIPTION	REMARK	QTY.	KIT
40	544220702	CROSS BAR		1	
41	544225902	CROSS BAR		1	
42	506869601	BEARING		8	
43	506813801	REINFORCING PLATE		2	
44	544379101	BRACKET		1	
45	506963701	LÁSDON		1	
46	544228301	BRACKET		1	
47	725246151	SCREW EHHM		8	
48	732211801	LOCK NUT		8	
49	544226901	PARALLEL ROD		1	
50	544451401	PARALLEL ROD		1	
51	544451501	ADJUSTMENT ROD		1	
52	506897601	NUT		1	
53	731232051	HEXAGON NUT		1	
54	544213302	DECK ATTACHMENT		1	
55	544213901	LOCKING PIN		1	
56	544214101	SPRING		1	
57	735311320	E-CLIP		1	
58	506597401	SCREW EHHFM		4	
59	732211801	LOCK NUT		4	
60	506963001	WHEEL ASSY		2	
61	535464101	WASHER		4	
62	735311700	CIRCLIP		2	



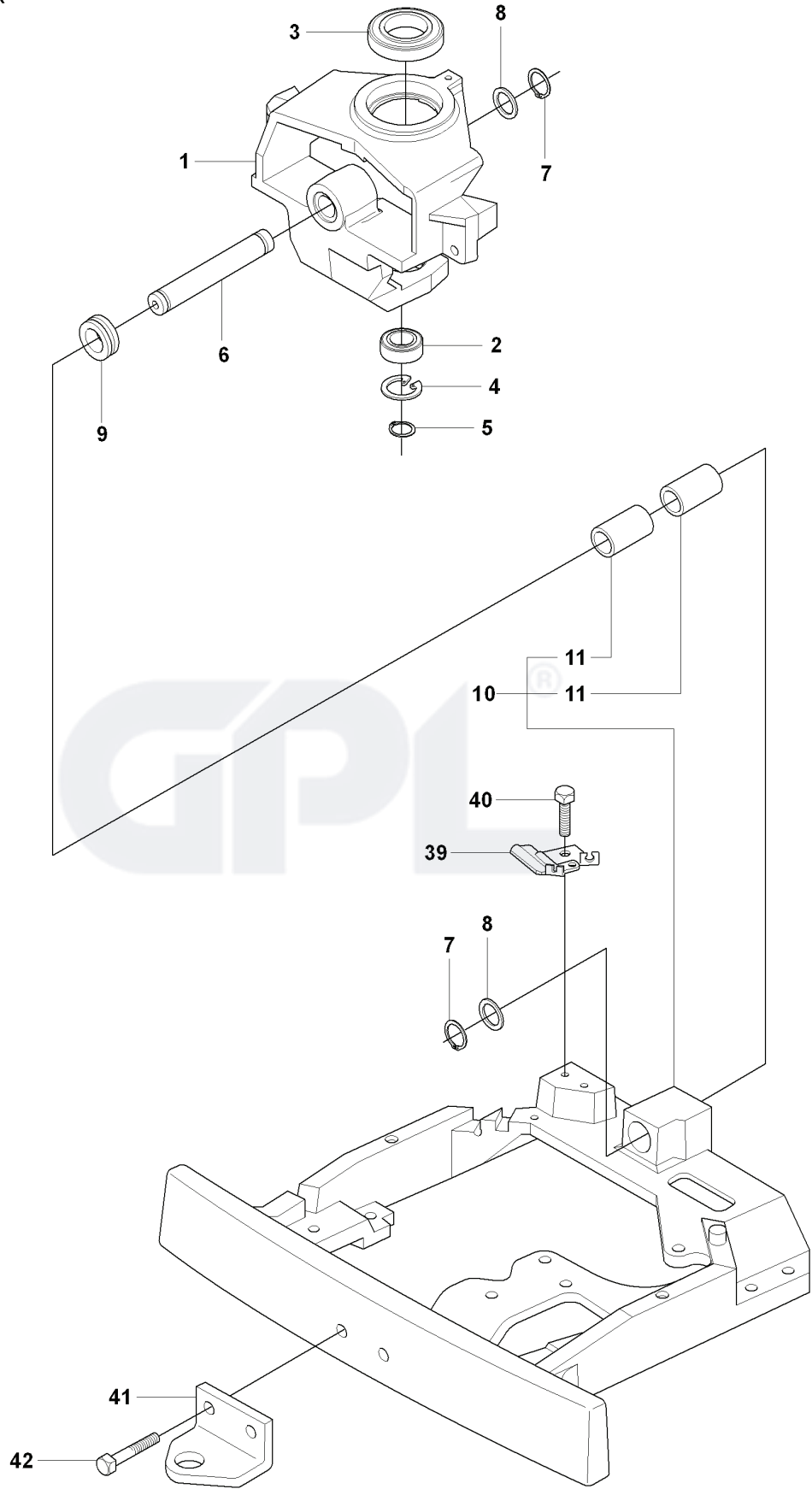
H 965 19 02-01 FR2211 M
ENGINE



REF.	PART NO.	DESCRIPTION	REMARK	QTY.	KIT
1	535440701	MOTOR		1	
2	725245751	SCREW		4	
3	734116401	WASHER		3	
4	735216400	LOCKWASHER		1	
5	732211801	LOCK NUT		4	
6	535485201	EXHAUST PIPE ASSY		1	
7	506914501	GASKET		1	
8	506556301	SCREW UNC		2	
9	535400801	MUFFLER ASSY		1	
10	725236861	SCREW EHHFT		4	
11	506827901	DEFLECTOR		1	
12	506794501	SCREW		4	
13	506668401	CLAMP ASSY		1	
14	535416201	HEAT PROTECTOR		1	
15	506597401	SCREW EHHFM		2	
16	506839401	SPRING WASHER		2	
17	732211801	LOCK NUT		2	



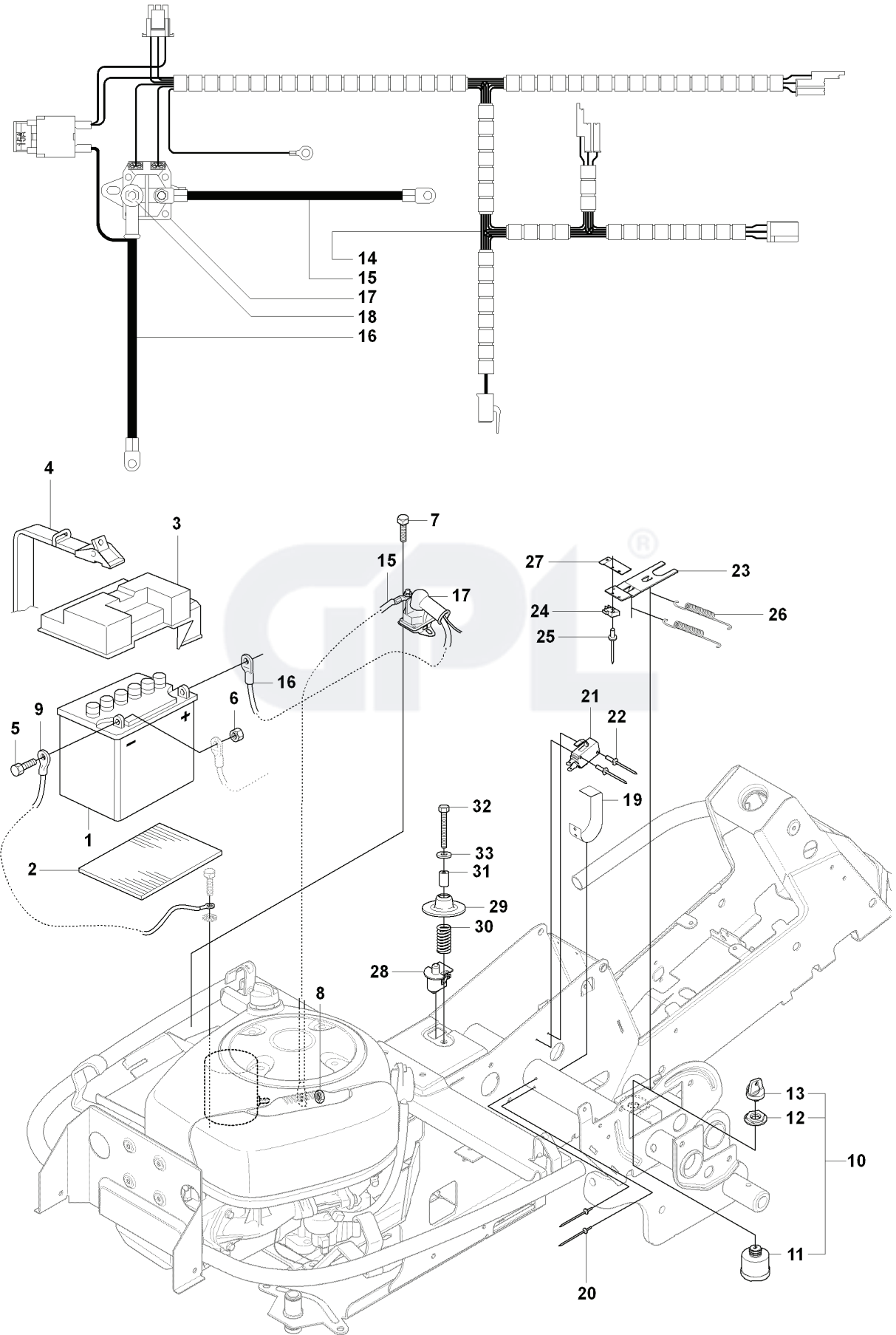
J1 965 19 02-01 FR2211 M
CHASSIS, REAR



REF.	PART NO.	DESCRIPTION	REMARK	QTY.	KIT
1	506985804	SPINDLE		1	
2	738210504	BALL BEARING		1	
3	738211004	BALL BEARING		1	
4	735314010	CIRCLIP		1	
5	735312600	CIRCLIP		1	
6	506985901	SWING AXLE		1	
7	735312600	CIRCLIP		2	
8	506773401	WASHER		2	
9	740681421	V-RING		1	
10	535406002	BRACKET		1	
11	506986102	GLIDLAGER		2	
39	506575201	WIRE HOLDER		1	
40	725236651	HEXAGONAL SCREW M6X12		2	
41	506889901	HITCH		1	
42	725249371	SCREW EHHM		2	

GPL®

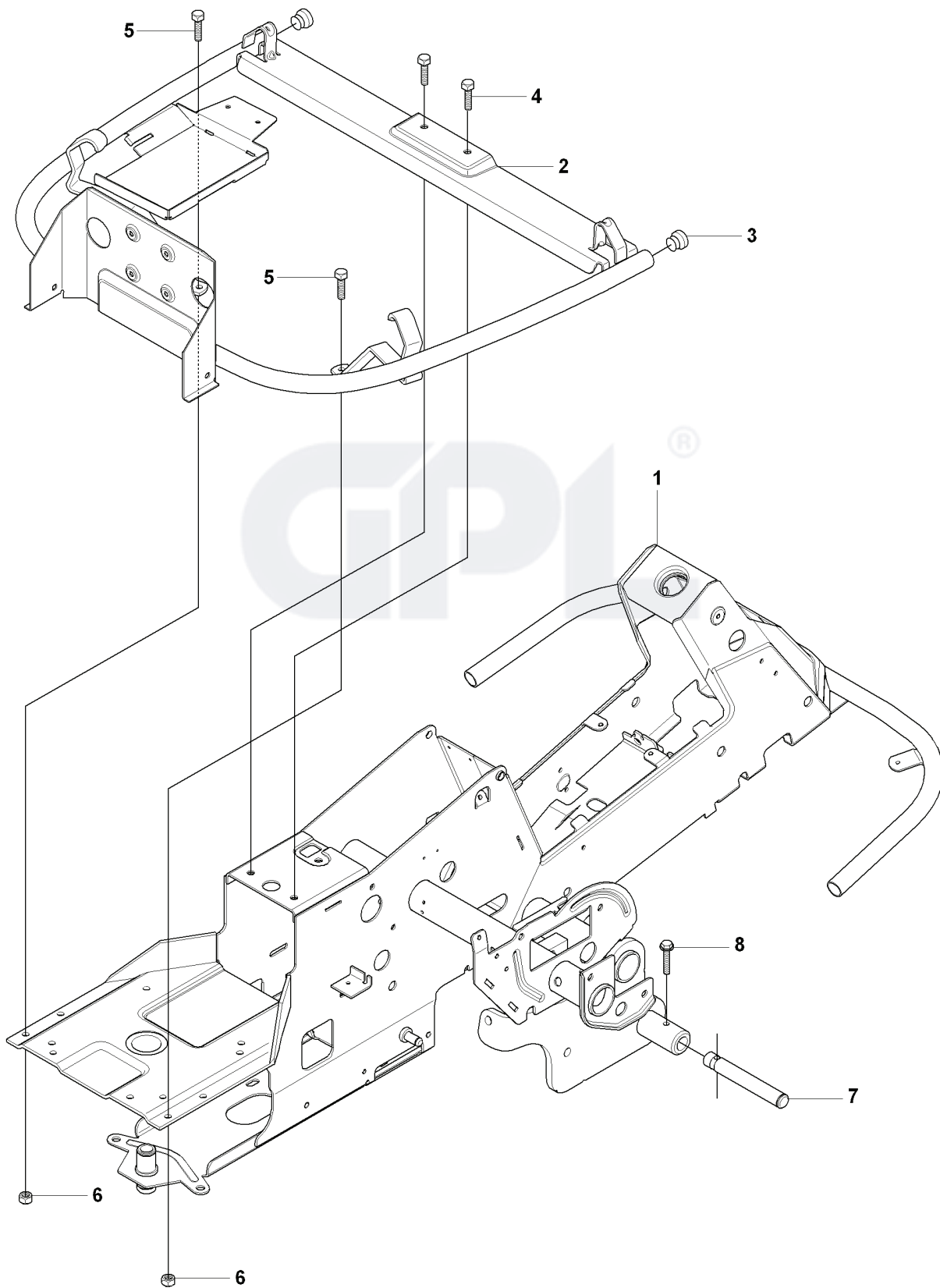
P 965 19 02-01 FR2211 M
ELECTRICAL



REF.	PART NO.	DESCRIPTION	REMARK	QTY.	KIT
1	506788801	BATTERY		1	
2	535441101	BATTERY MAT		1	
3	506809901	BATTERY COVER		1	
4	506836802	BELT		1	
5	725237071	SCREW EHHM		1	
6	731231601	HEXAGON NUT		1	
7	725236461	SCREW EHHFT		1	
8	506899801	NUT		1	
9	544967601	CABLE		1	
10	544442101	IGNITION SWITCH		1	
11	544442201	IGNITION SWITCH		1	
12	544442301	NUT		1	
13	544442401	IGNITION KEY		1	
14	544926001	WIRING		1	
15	544928601	CABLE		1	
16	544926101	CABLE		1	
17	544439801	RELAY		1	
18	506899801	NUT		2	
19	506909301	PLATE SPRING		1	
20	722783902	BLIND RIVET		2	
21	535469101	SWITCH		1	
22	544440701	RIVET		2	
23	506909402	BRACKET		1	
24	535469101	SWITCH		1	
25	544440701	RIVET		2	
26	506834301	SPRING		2	
27	504711601	ADAPTER		1	
28	506909601	SWITCH		1	
29	506909701	SPRING WASHER		1	
30	544441201	SPRING		1	
31	506909902	SPACING TUBE		1	
32	725246051	SCREW EHHM		1	
33	734116401	WASHER		1	

GPL®

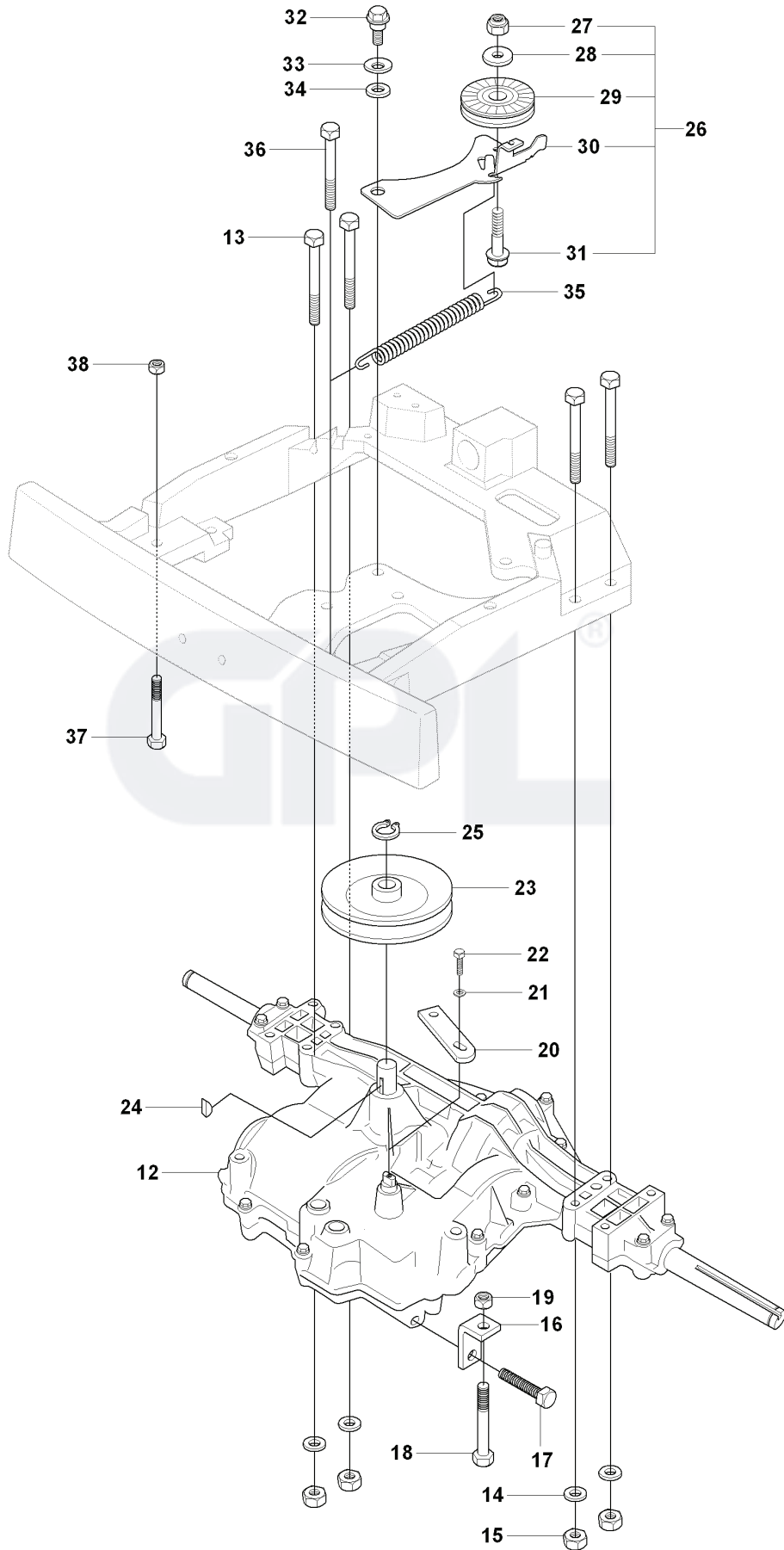
F 965 19 02-01 FR2211 M
CHASSIS



REF.	PART NO.	DESCRIPTION	REMARK	QTY.	KIT
1	544842302	FRAME		1	
2	502247801	ENGINE FRAME		1	
3	506810101	PLUG		2	
4	506570103	SCREW EHHFM		2	
5	725245171	SCREW EHHM		2	
6	732211801	LOCK NUT		2	
7	535470801	WHEEL AXLE		2	
8	725245961	SCREW EHHFT		2	

GPL®

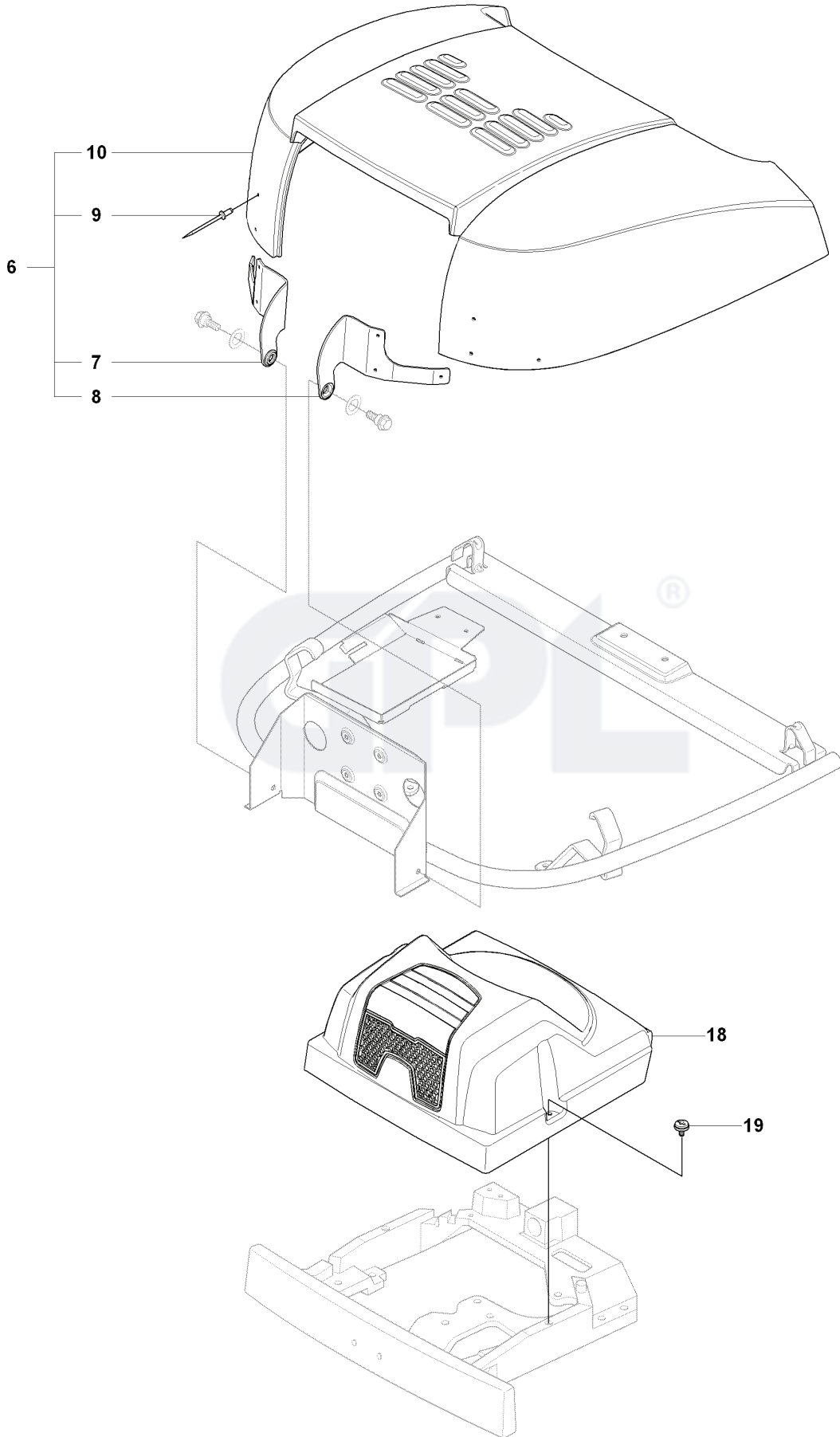
J2 965 19 02-01 FR2211 M
CHASSIS, REAR



REF.	PART NO.	DESCRIPTION	REMARK	QTY.	KIT
12	506955501	GEAR CASE MST 205		1	
13	725246751	SCREW EHHM		4	
14	734116401	WASHER		4	
15	731231801	HEXAGON NUT		4	
16	506575101	BRACKET		1	
17	506558302	SCREW EHHFT		1	
18	725245551	SCREW		1	
19	731231801	HEXAGON NUT		1	
20	506904501	VÄXELARM		1	
21	734115601	WASHER		1	
22	506557801	U6S-UNF1/4"X28 L=16		1	
23	502234401	PULLEY		1	
24	506509401	WOODRUFF KEY		1	
25	735311800	CIRCLIP		1	
26	506989501	BELT TENSIONER ASSY		1	
27	732211801	LOCK NUT		1	
28	734116441	WASHER		1	
29	506793401	BELT TENS WHEEL ASSY		1	
30	506989601	BELT TENSIONER		1	
31	725245551	SCREW		1	
32	506597401	SCREW EHHFM		1	
33	506839401	SPRING WASHER		1	
34	734117801	WASHER		1	
35	506988601	SPRING		1	
36	725246451	SCREW EHHM		1	
37	725245551	SCREW		1	
38	731231801	HEXAGON NUT		1	



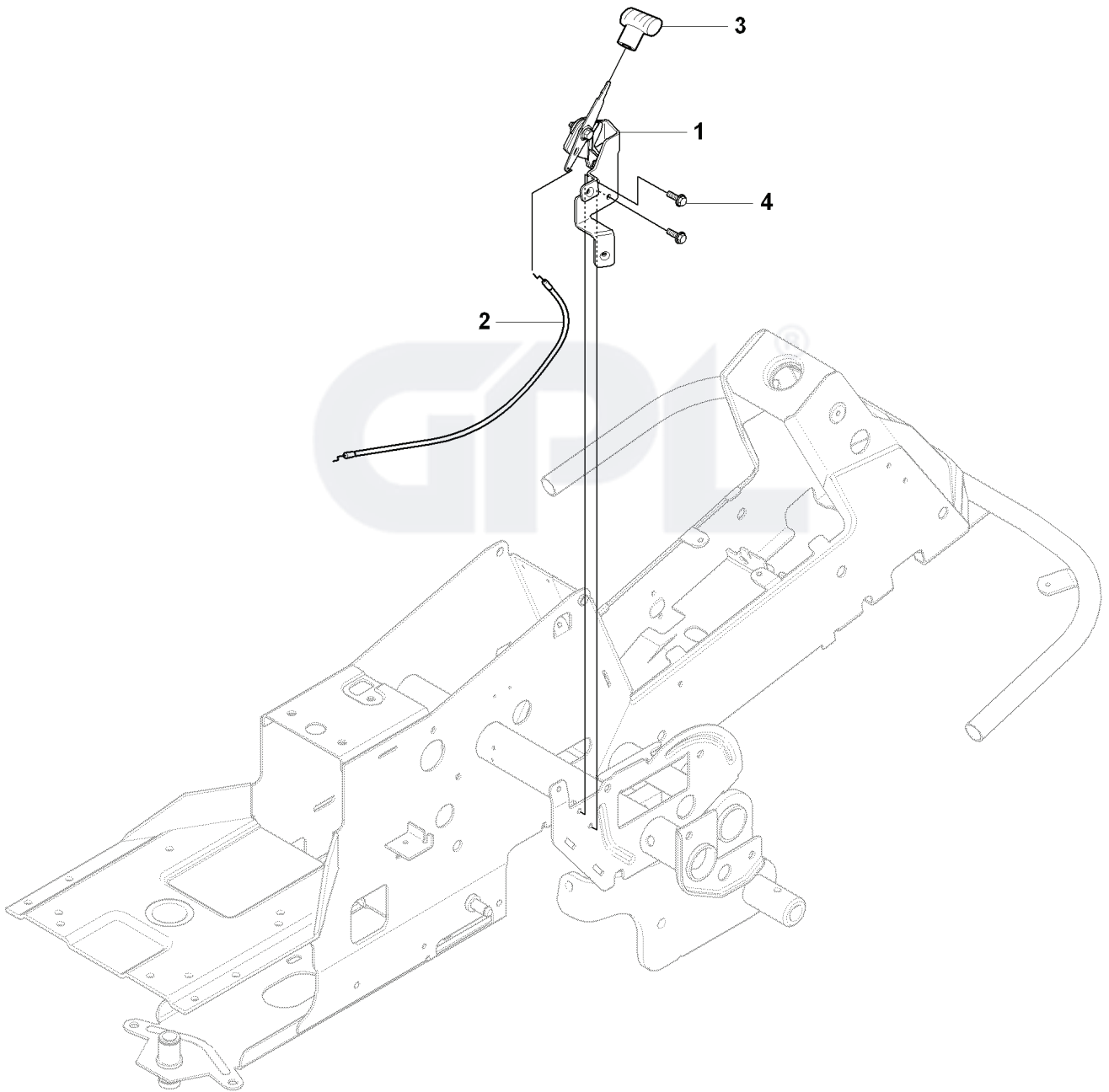
C1 965 19 02-01 FR2211 M
COVER



REF.	PART NO.	DESCRIPTION	REMARK	QTY.	KIT
6	535419002	ENGINE HOOD ASSY		1	
7	535419901	HINGE		1	
8	535419902	HINGE		1	
9	722795402	RIVET		6	
10	535417902	ENGINE HOOD		1	
11	506599501	BUTTON		1	
12	506599601	GUMMISTROPP		1	
18	544373902	COVER		1	
19	544400501	SCREW		2	

GPL®

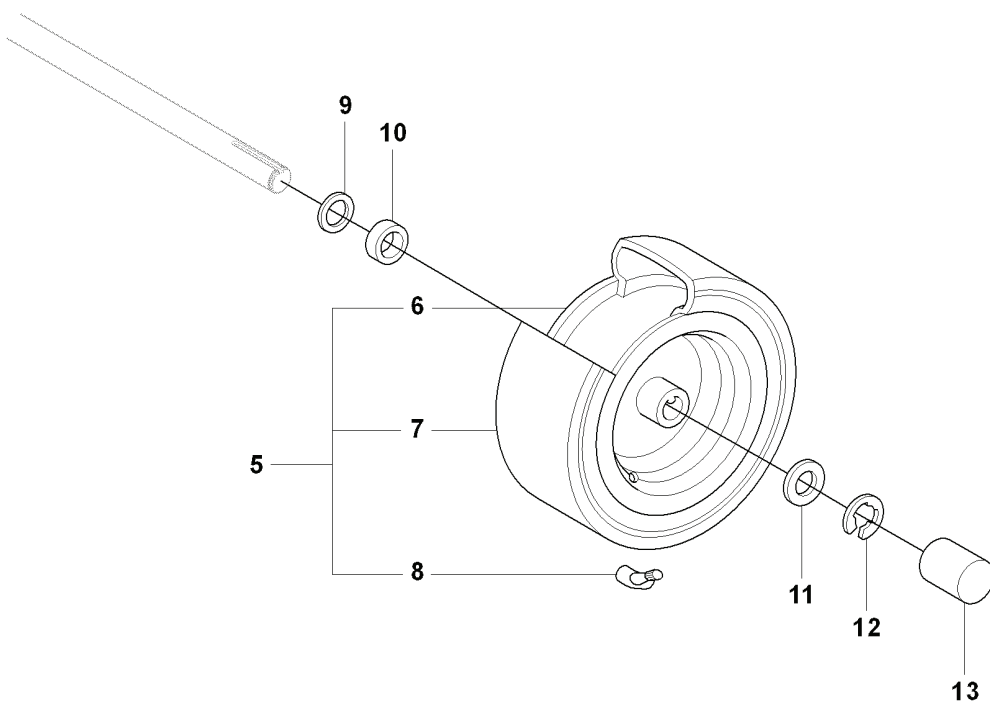
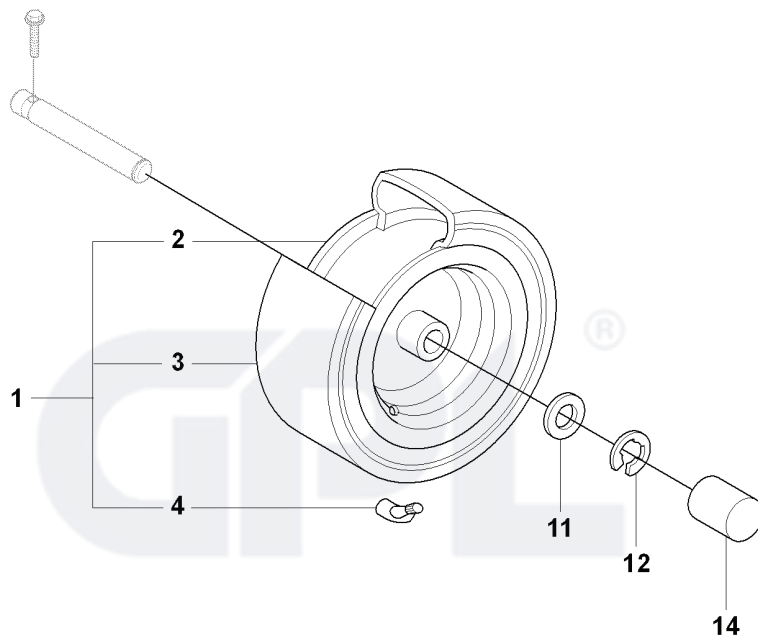
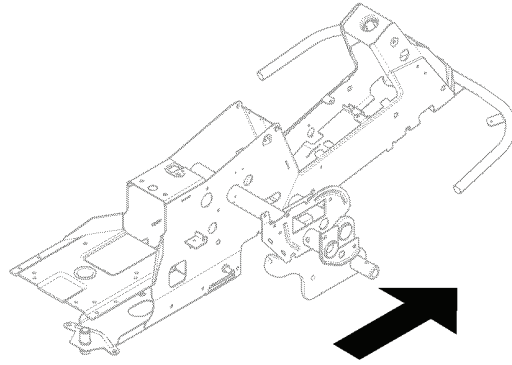
L 965 19 02-01 FR2211 M
CONTROLS



REF.	PART NO.	DESCRIPTION	REMARK	QTY.	KIT
1	502295601	THROTTLE CONTROL		1	
2	544301701	WIRE		1	
3	506889101	KNOB		1	
4	725236461	SCREW EHHFT		2	

GPL®

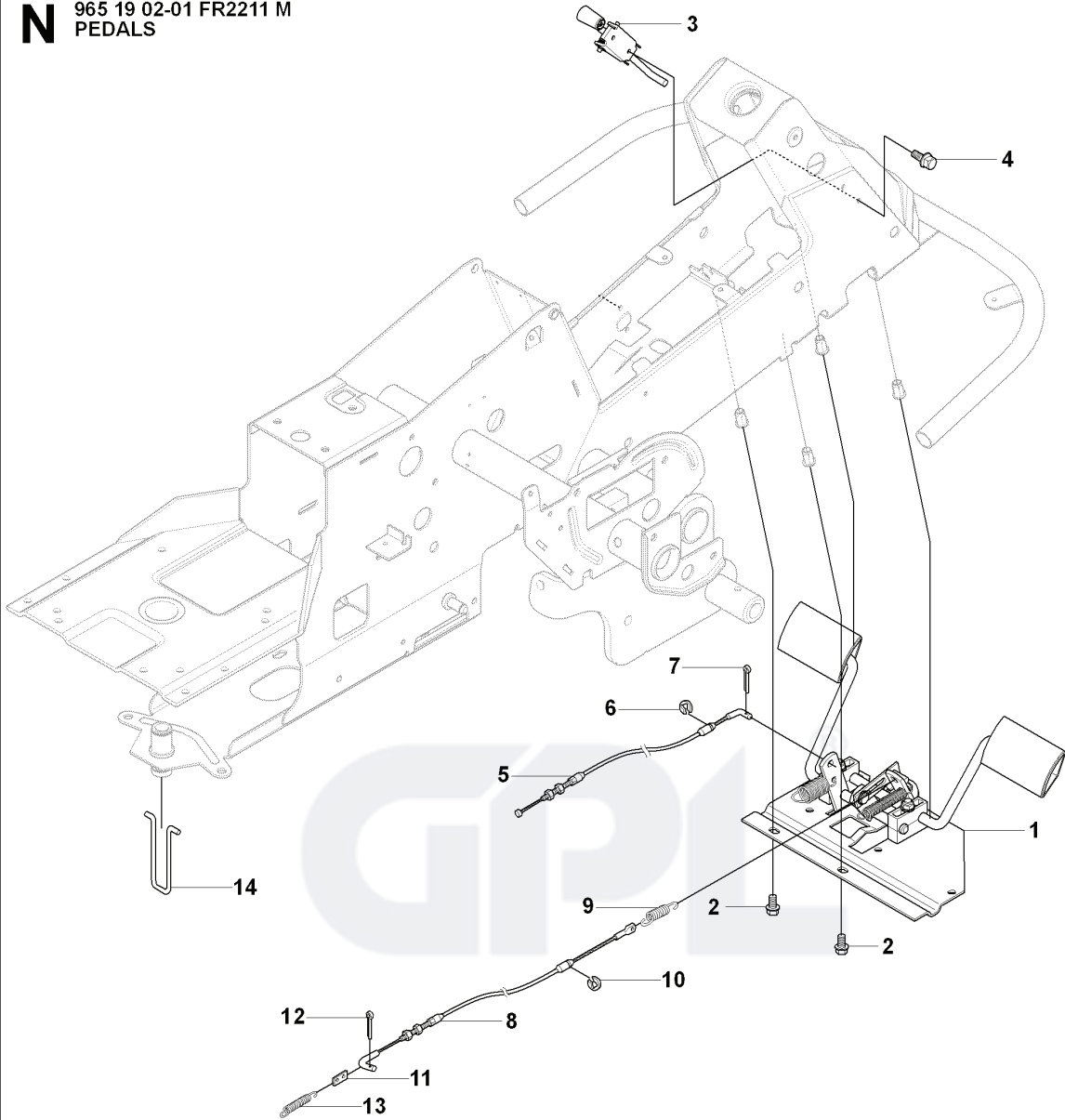
Q 965 19 02-01 FR2211 M
WHEELS & TIRES



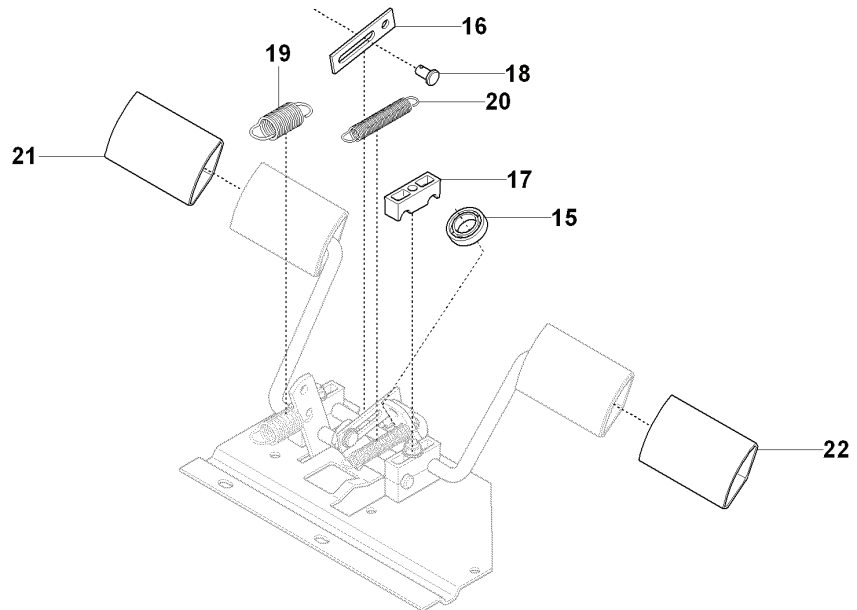
REF.	PART NO.	DESCRIPTION	REMARK	QTY.	KIT
1	544126202	WHEEL		2	
2	544114301	RIM		1	
3	506980201	TIRE		1	
4	506574301	VALVE ASSY		1	
5	544126302	WHEEL		2	
6	544114201	RIM		1	
7	506980201	TIRE		1	
8	506574301	VALVE ASSY		1	
9	506504803	WASHER		2	
10	506596201	SPACING SLEEVE		2	
11	506504805	WASHER		4	
12	506899001	E-CLIP		4	
13	506923001	RUND FOT UKB 30 S		2	
14	506955801	CUP		2	



N 965 19 02-01 FR2211 M
PEDALS



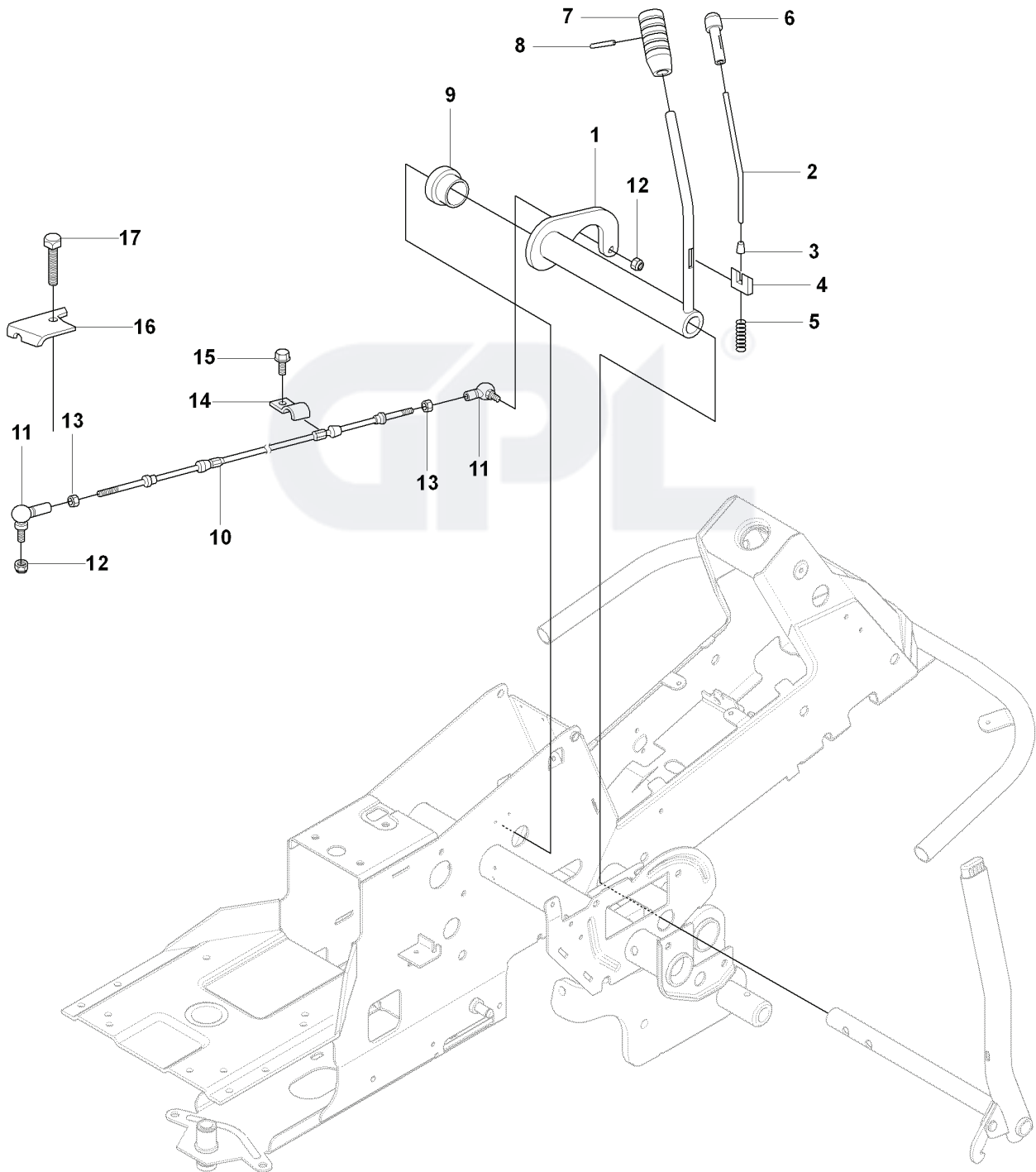
PEDALS



REF.	PART NO.	DESCRIPTION	REMARK	QTY.	KIT
1	544132301	PEDAL PLATE ASSY		1	
2	506570104	SCREW EHI-FM		4	
3	544403101	BRAKE LEVER ASSY		1	
4	725236461	SCREW EHI-FT		2	
5	506952501	WIRE ASSY		1	
6	735310920	E-CLIP		1	
7	721615201	SPLIT PIN		1	
8	506952601	CABLE		1	
9	506919101	BRAKE SPRING		1	
10	735310920	E-CLIP		1	
11	506599301	LINK		1	
12	721615201	SPLIT PIN		1	
13	506535603	DRAW SPRING		1	
14	506576401	CABLE HOLDER		1	
15	738210204	BALL BEARING		1	
16	544127901	LINK		1	
17	535480801	BEARING SUPPORT		4	
18	721839901	CLEVIS PIN		1	
19	544133401	DRAW SPRING		1	
20	544133601	DRAW SPRING		1	
21	535478802	PEDAL		1	
22	535478802	PEDAL		1	



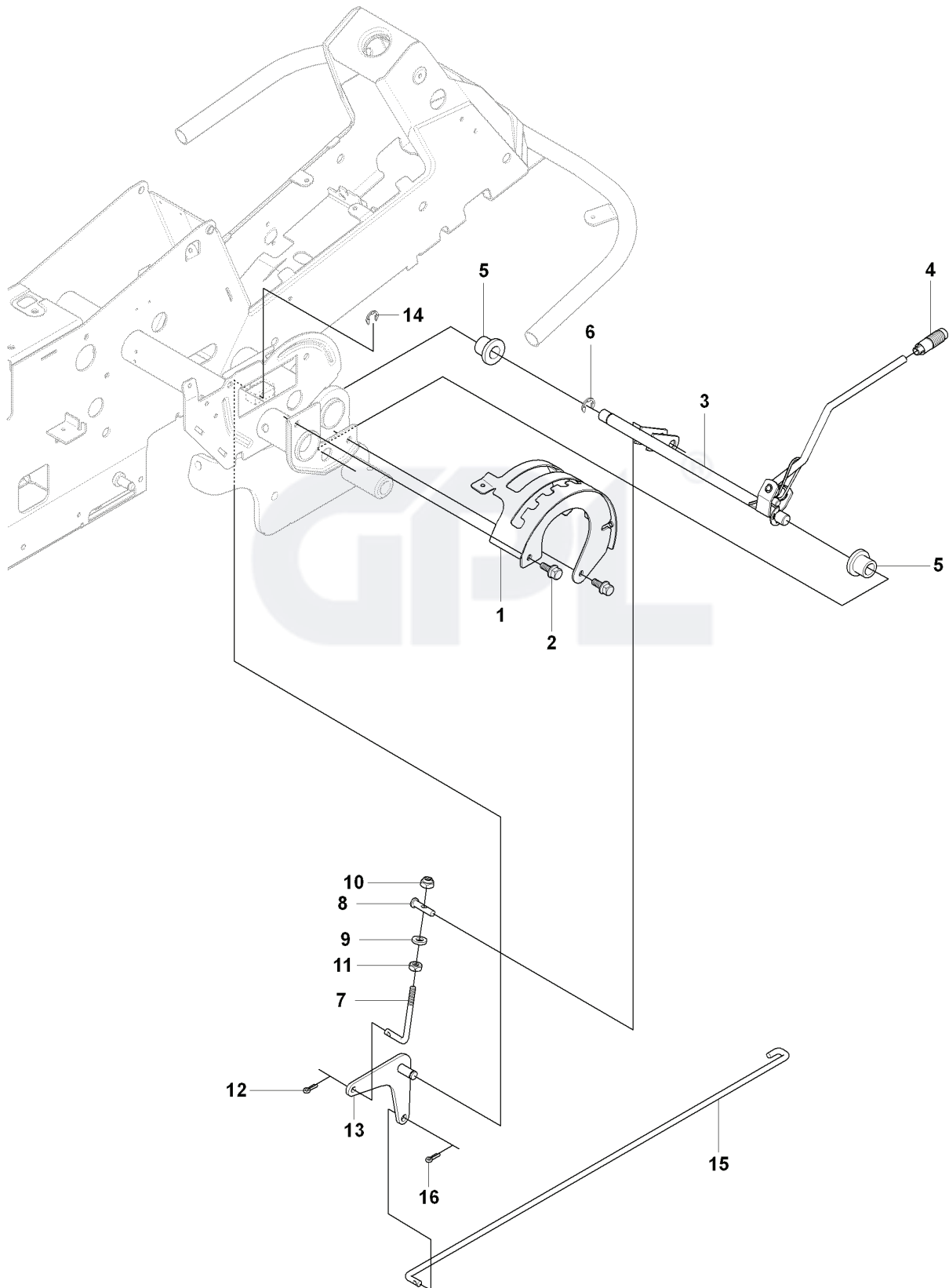
M 965 19 02-01 FR2211 M
CONTROLS



REF.	PART NO.	DESCRIPTION	REMARK	QTY.	KIT
1	506906501	GEAR LEVER ASSY		1	
2	506906901	PUSH ROD		1	
3	506831701	END FITTING		1	
4	506831801	LOCK		1	
5	506832302	COMPRESSION SPRING		1	
6	506907001	KNOB		1	
7	506907101	HANDLE		1	
8	721421226	SPRING PIN		1	
9	506556501	BEARING		1	
10	506907301	VÄXELVÄLJARKABEL		1	
11	506557301	VINKELLAS8 DIN71802		2	
12	732211401	LOCK NUT		2	
13	731231401	HEXAGON NUT		2	
14	506566501	CLIP		1	
15	725236461	SCREW EHHFT		1	
16	506907401	WIRE HOLDER		1	
17	725236651	HEXAGONAL SCREW M6X12		1	

GPL®

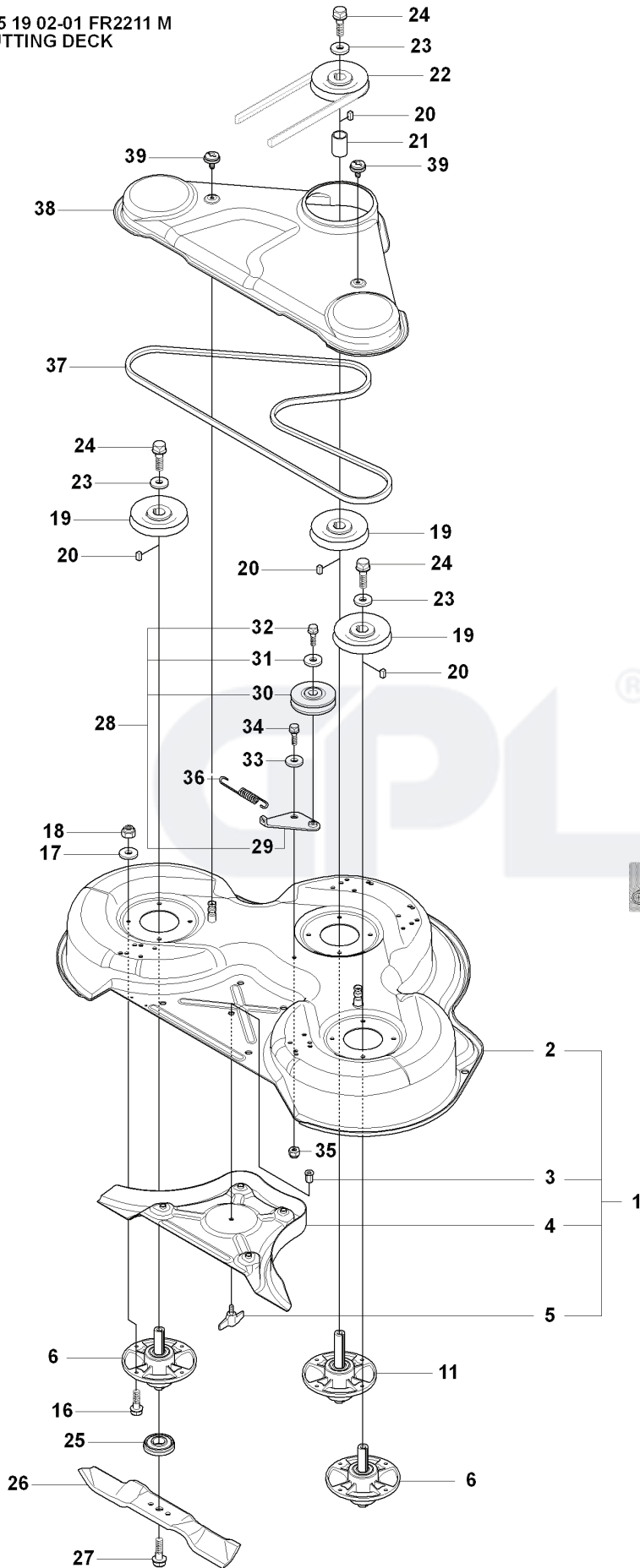
D 965 19 02-01 FR2211 M
HEIGHT ADJUSTMENT



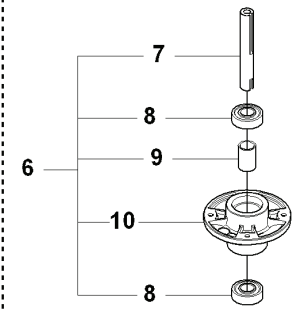
REF.	PART NO.	DESCRIPTION	REMARK	QTY.	KIT
1	535501402	CONTROL PLATE		1	
2	506570103	SCREW EHHFM		2	
3	504734501	ADJUSTER		1	
4	506542001	HANDLE		1	
5	506554301	BEARING		2	
6	735312220	E-CLIP		1	
7	506908201	HEIGHT ROD		1	
8	506784601	PEN		1	
9	734117201	WASHER		1	
10	732211801	LOCK NUT		1	
11	731231801	HEXAGON NUT		1	
12	721618301	SPLIT PIN		1	
13	544227701	LINK		1	
14	735311520	E-CLIP		1	
15	544227001	CONNECTION ROD		1	
16	721618301	SPLIT PIN		1	



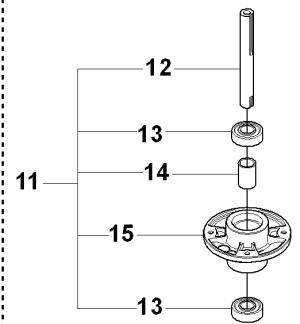
T2 965 19 02-01 FR2211 M
CUTTING DECK



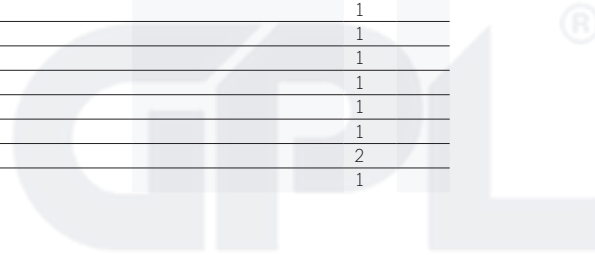
Yttre.
Outer.
Exterieur.
Äusser.
Ulko.



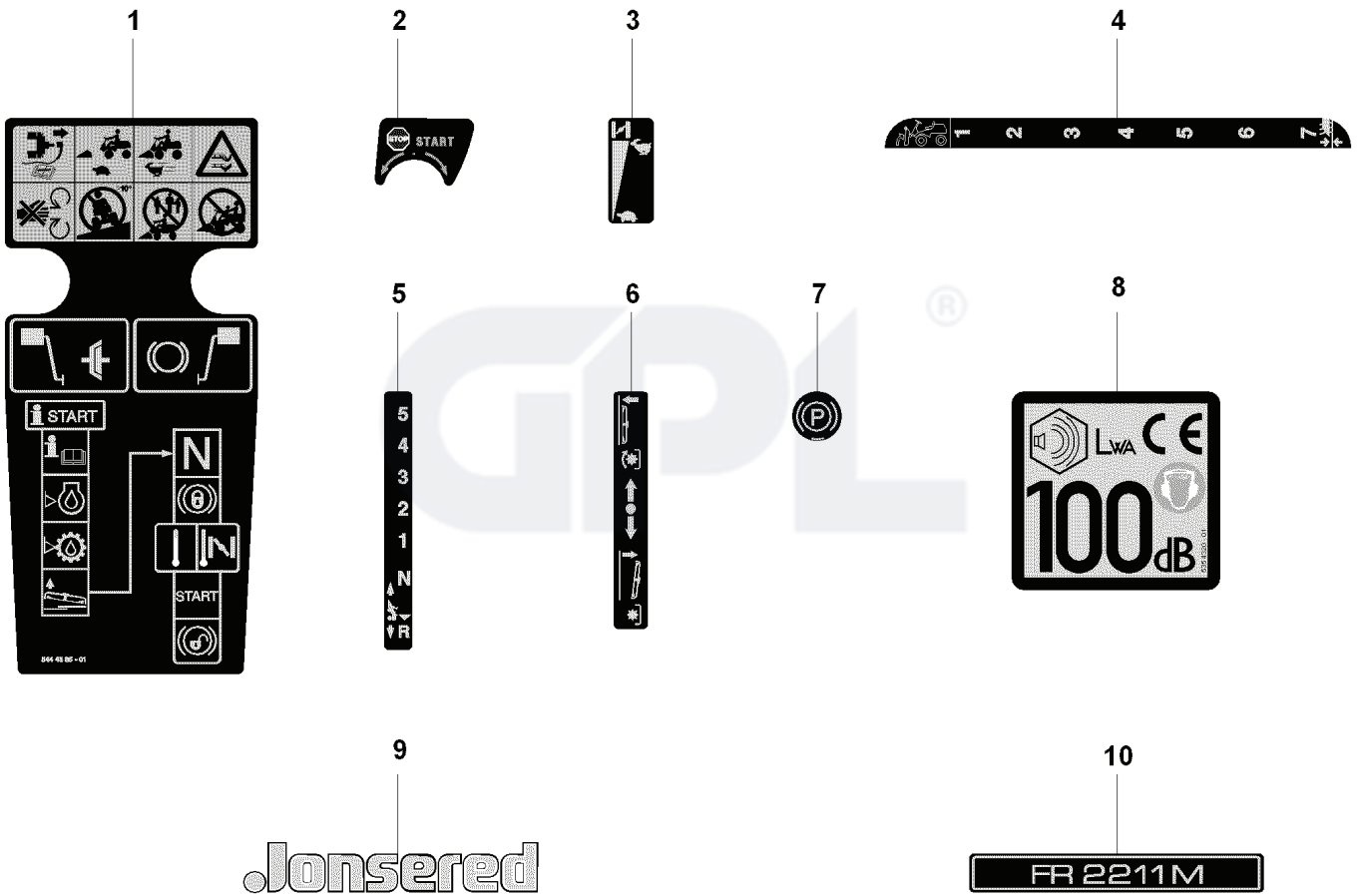
Mitten.
Centre.
Centre.
Zentrum.
Keski.



REF.	PART NO.	DESCRIPTION	REMARK	QTY.	KIT
1	544065702	CUTTING DECK		1	
2	544065503	DECK SHELL ASSY		1	
3	506916201	NUT		1	
4	544065801	PLUG		1	
5	544066101	KNOB		1	
6	544065901	BLADE HOUSING ASSY		2	
7	544067902	SHAFT		1	
8	738230434	BALL BEARING		2	
9	544068001	SPACING SLEEVE		1	
10	544067801	BEARING HOUSING		1	
11	544065903	BLADE HOUSING ASSY		1	
12	544067901	SHAFT		1	
13	738230434	BALL BEARING		2	
14	544068001	SPACING SLEEVE		1	
15	544067801	BEARING HOUSING		1	
16	535423801	SCREW RSQM		12	
17	734116401	WASHER		12	
18	732211801	LOCK NUT		12	
19	506922101	PULLEY		3	
20	506533501	PARALLEL KEY		4	
21	544068003	SPACING SLEEVE		1	
22	506778601	PULLEY		1	
23	734117441	WASHER		3	
24	506675402	SCREW EHHFM		3	
25	544064901	BLADE HOLDER		3	
26	579652510	BLADE		3	
27	506675402	SCREW EHHFM		3	
28	506797301	BELT TENSIONER ASSY		1	
29	506797101	SPÄNNARM KPL.		1	
30	506793201	BELT TENSIONER WHEEL		1	
31	734116441	WASHER		1	
32	506558302	SCREW EHHFT		1	
33	506918702	WASHER		1	
34	725245171	SCREW EHHM		1	
35	732211801	LOCK NUT		1	
36	506533101	SPRING		1	
37	589530701	BELT		1	
38	544066302	BELT COVER		1	
39	544400501	SCREW		2	
63	506789701	LABEL		1	



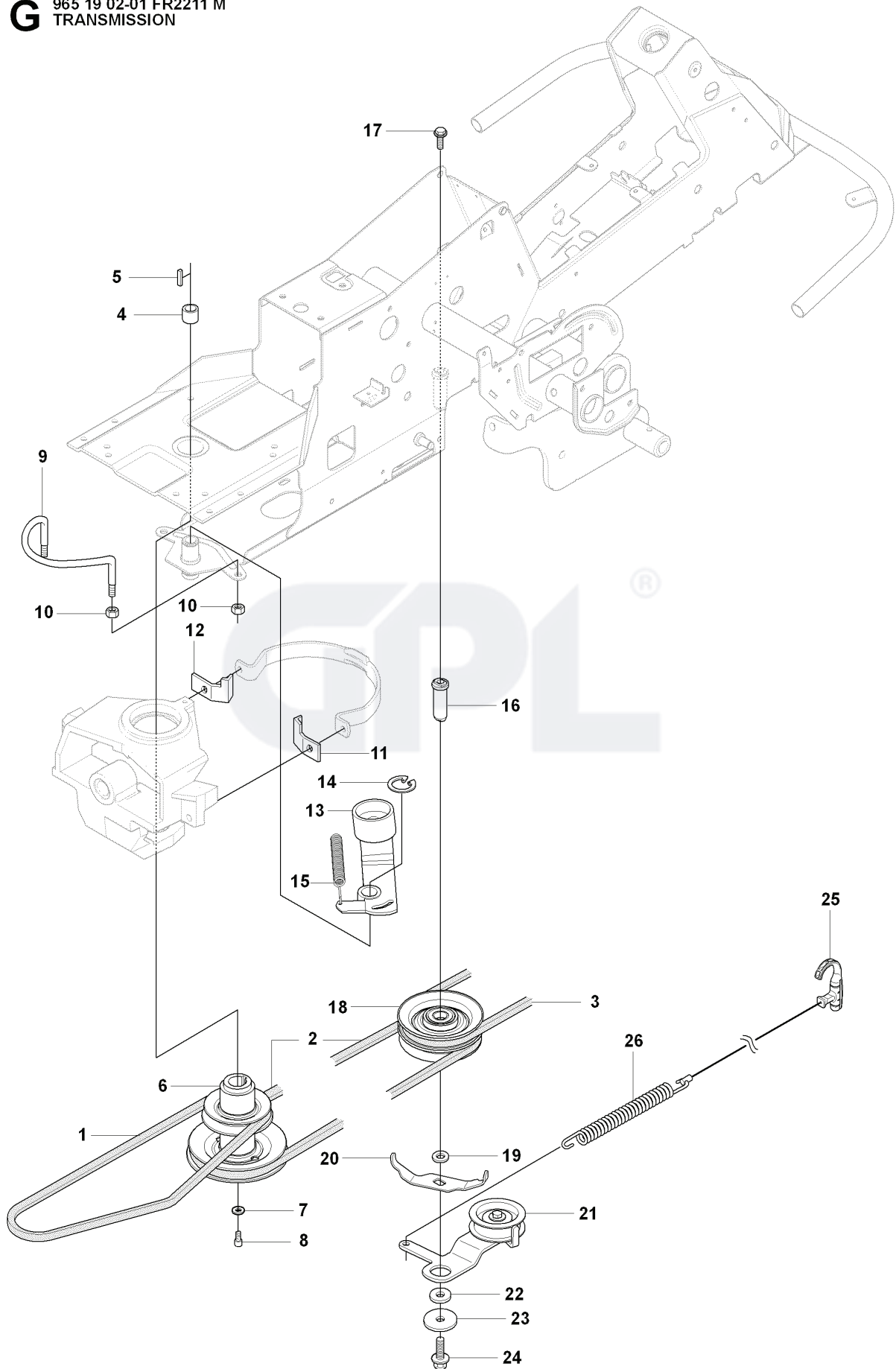
R 965 19 02-01 FR2211 M
DECALS



REF.	PART NO.	DESCRIPTION	REMARK	QTY.	KIT
1	544438501	LABEL		1	
2	502291401	LABEL		1	
3	544438802	LABEL		1	
4	544439003	LABEL		1	
5	544439102	LABEL		1	
6	544439202	LABEL		1	
7	506584501	LABEL		1	
8	535432001	DECAL		1	
9	535434701	DECAL		3	
10	502292102	LABEL		1	



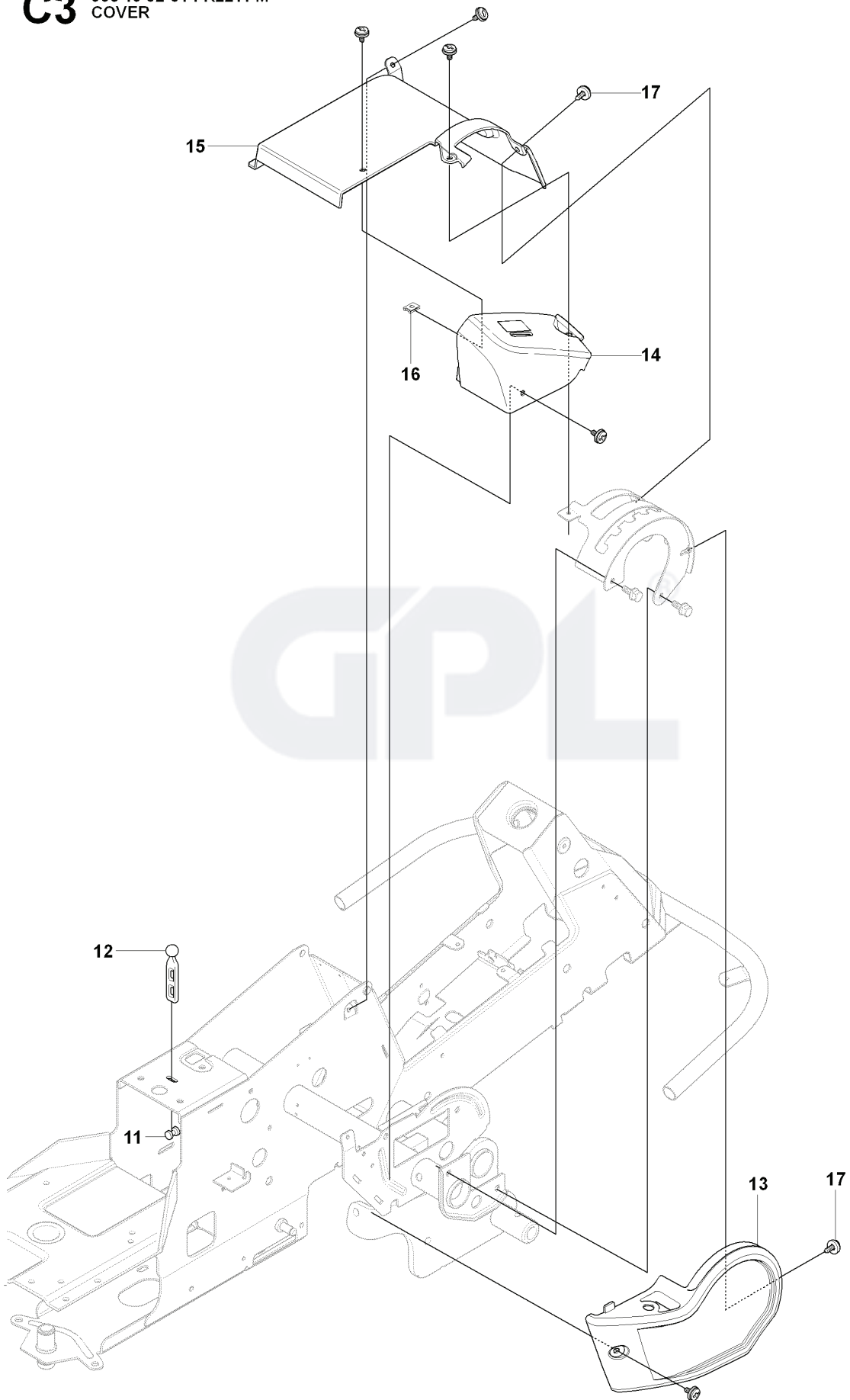
G 965 19 02-01 FR2211 M
TRANSMISSION



REF.	PART NO.	DESCRIPTION	REMARK	QTY.	KIT
1	589531301	BELT		1	
2	589530401	BELT		1	
3	589530001	BELT		1	
4	506509201	SPACING SLEEVE		1	
5	506555901	WEDGE		1	
6	506585201	PULLEY		1	
7	506597501	WASHER		1	
8	506556002	SCREW UNC		1	
9	506664501	BELT GUIDE		1	
10	731232051	HEXAGON NUT		4	
11	506674401	BELT GUIDE		1	
12	506674501	BELT GUIDE		1	
13	535484401	BELT TENSIONER ASSY		1	
14	735312600	CIRCLIP		1	
15	506665601	SPRING		1	
16	544426101	SHAFT		1	
17	506675402	SCREW EHHFM		1	
18	535482201	PULLEY		1	
19	506775701	WASHER		1	
20	544405301	BELT GUIDE		1	
21	544228101	BELT TENSIONER ASSY		1	
22	506597501	WASHER		1	
23	506982501	WASHER		1	
24	506570105	SCREW EHHFM		1	
25	544239501	HANDLE ASSY		1	
26	544238801	SPRING		1	



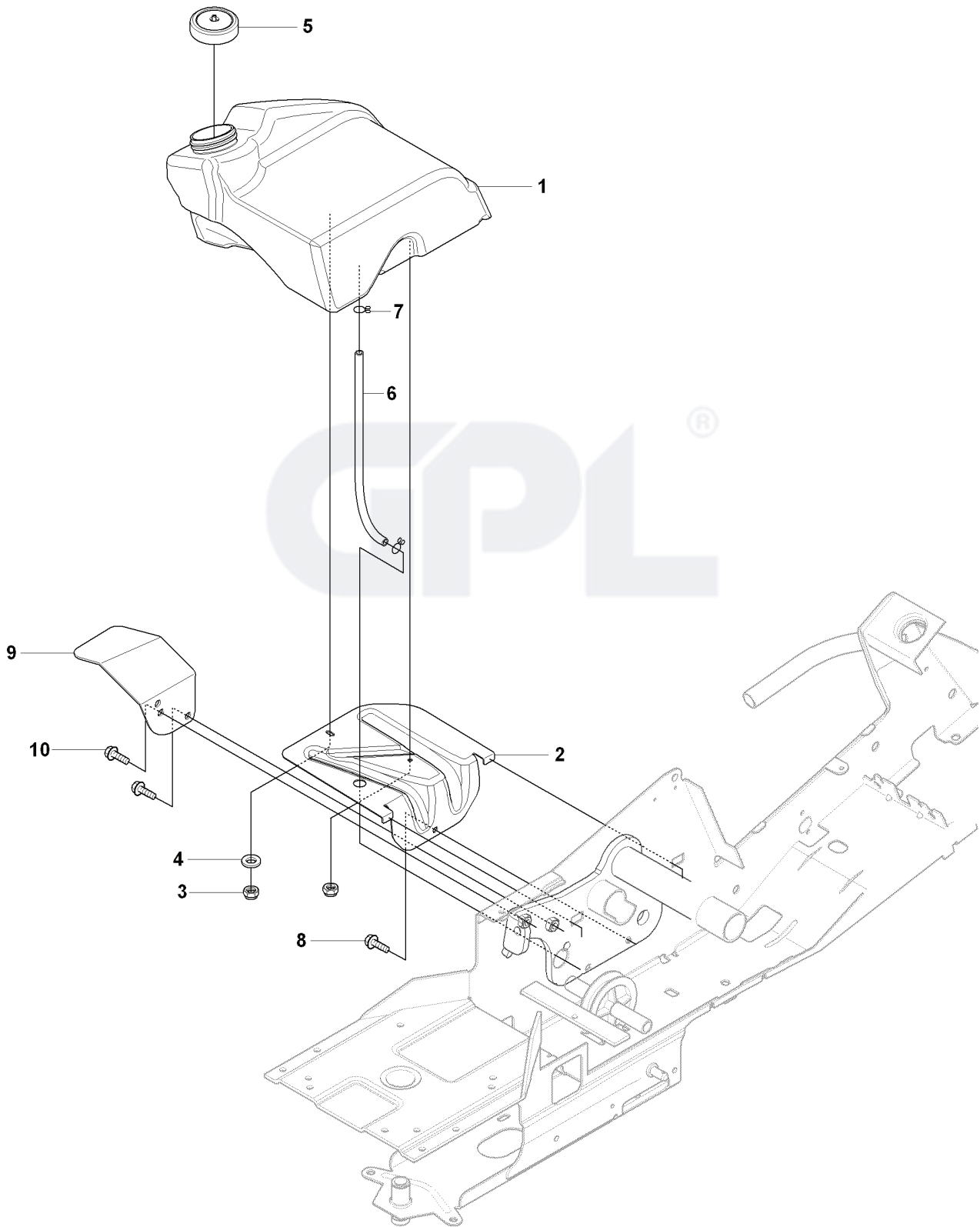
C3 965 19 02-01 FR2211 M
COVER



REF.	PART NO.	DESCRIPTION	REMARK	QTY.	KIT
13	504059501	CONTROL COVER		1	
14	504059702	CONTROL COVER		1	
15	504059801	COVER		1	
16	535429101	SPRING NUT		1	
17	544400501	SCREW		7	



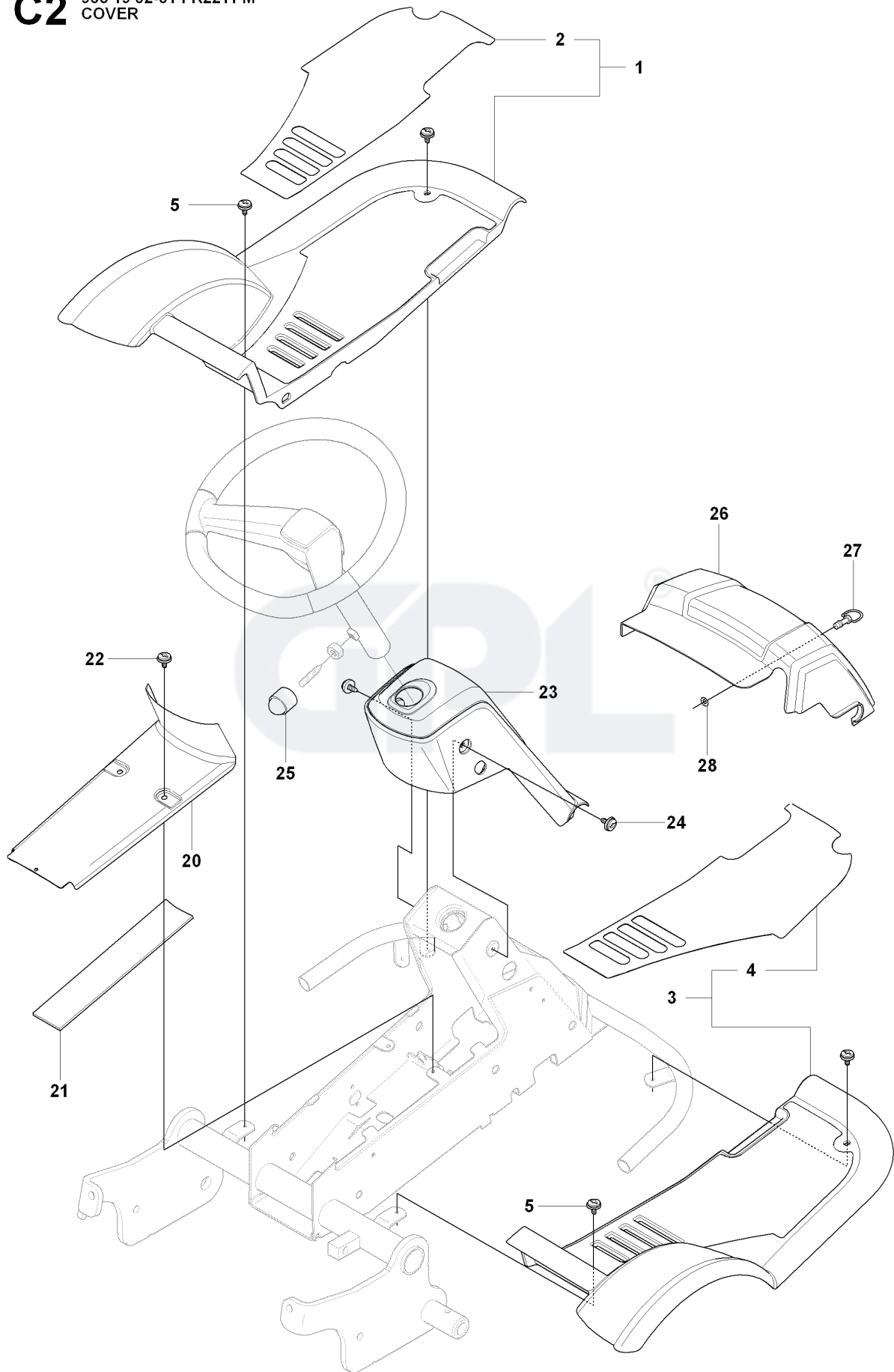
B 965 19 02-01 FR2211 M
FUEL SYSTEM



REF.	PART NO.	DESCRIPTION	REMARK	QTY.	KIT
1	504059901	FUEL TANK		1	
2	544329301	BRACKET		1	
3	732211601	LOCK NUT		2	
4	734115601	WASHER		1	
5	506673301	TANK CAP ASSY		1	
6	506946707	FUEL HOSE		1	
7	535469701	HOSE BRACE		2	
8	725236461	SCREW EHHFT		1	
9	504556601	SUPPORT		1	
10	725249371	SCREW EHHM		2	

GPL®

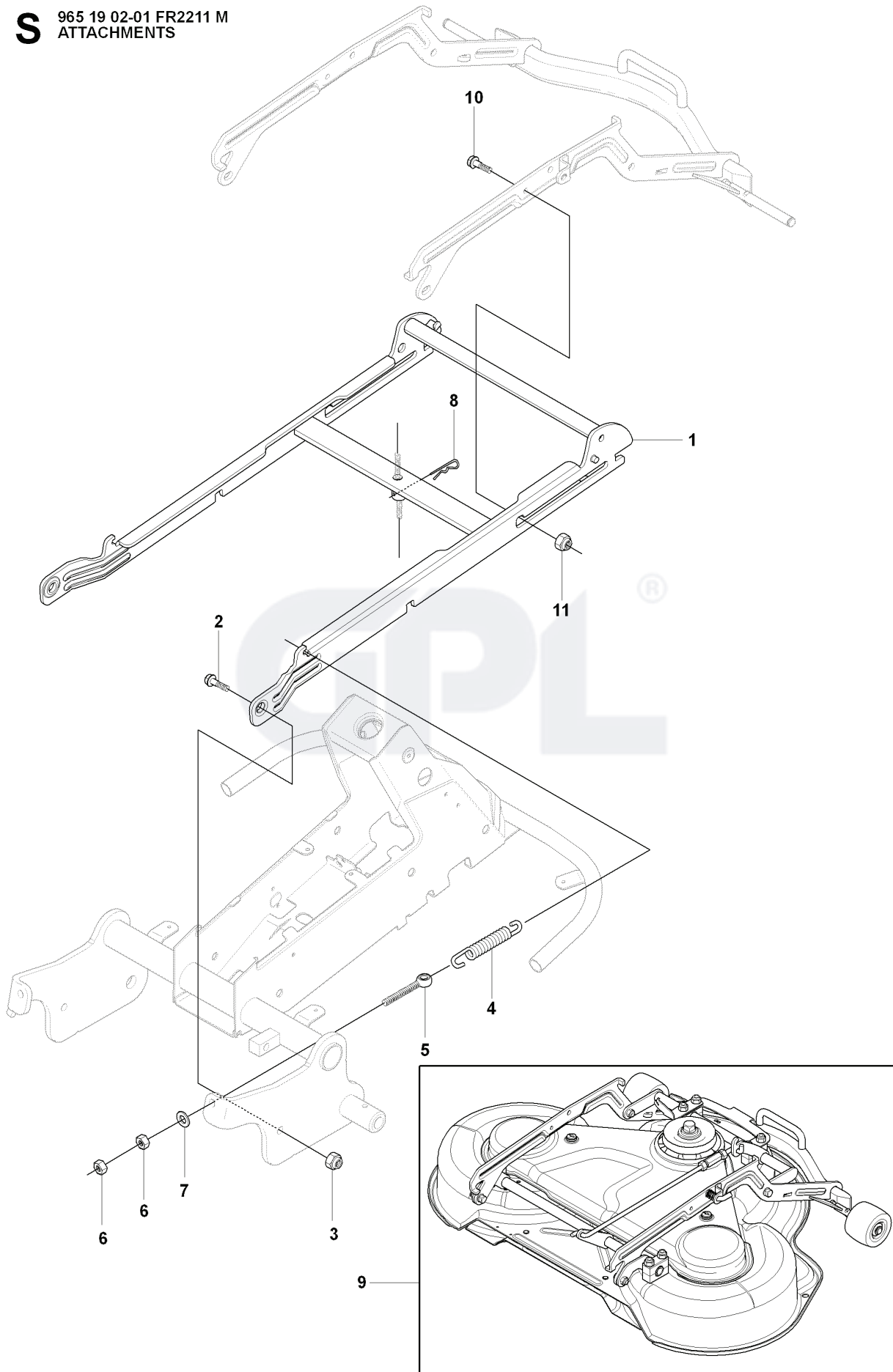
C2 965 19 02-01 FR2211 M
COVER



REF.	PART NO.	DESCRIPTION	REMARK	QTY.	KIT
1	502290701	FOOT PLATE		1	
2	504060201	MAT		1	
3	502290702	FOOT PLATE		1	
4	504060202	MAT		1	
5	544400501	SCREW		4	
20	544239202	COVER		1	
21	544427501	MAT		1	
22	544400501	SCREW		2	
23	504060102	COVER		1	
24	544400501	SCREW		2	
25	544433202	PROTECTIVE COVER		1	
26	544374202	UNIT COVER		1	
27	506963501	VRDTAPP		1	
28	506963601	WASHER		1	



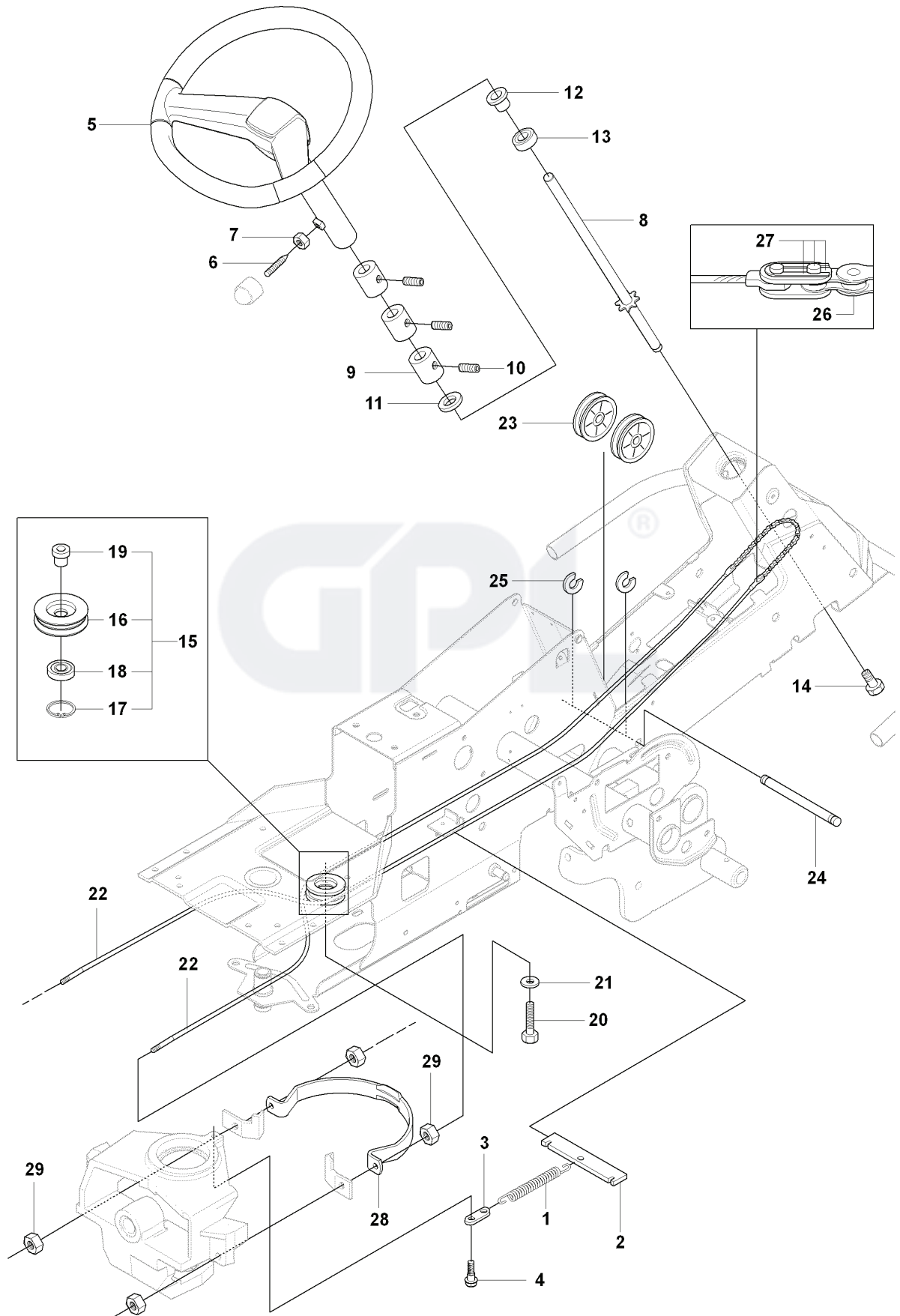
S 965 19 02-01 FR2211 M
ATTACHMENTS



REF.	PART NO.	DESCRIPTION	REMARK	QTY.	KIT
1	544212702	EQUIPMENT FRAME		1	
2	506895801	COLLAR SCREW		2	
3	732252201	HEXAGON LOCKING NUT		2	
4	506837601	SPRING		2	
5	506837701	RING BOLT		2	
6	731232051	HEXAGON NUT		4	
7	734117201	WASHER		2	
8	506966601	HAIR PIN COTTER		1	
9	544437902	CUTTING DECK		1	
10	544362401	SCREW		2	
11	732211801	LOCK NUT		2	



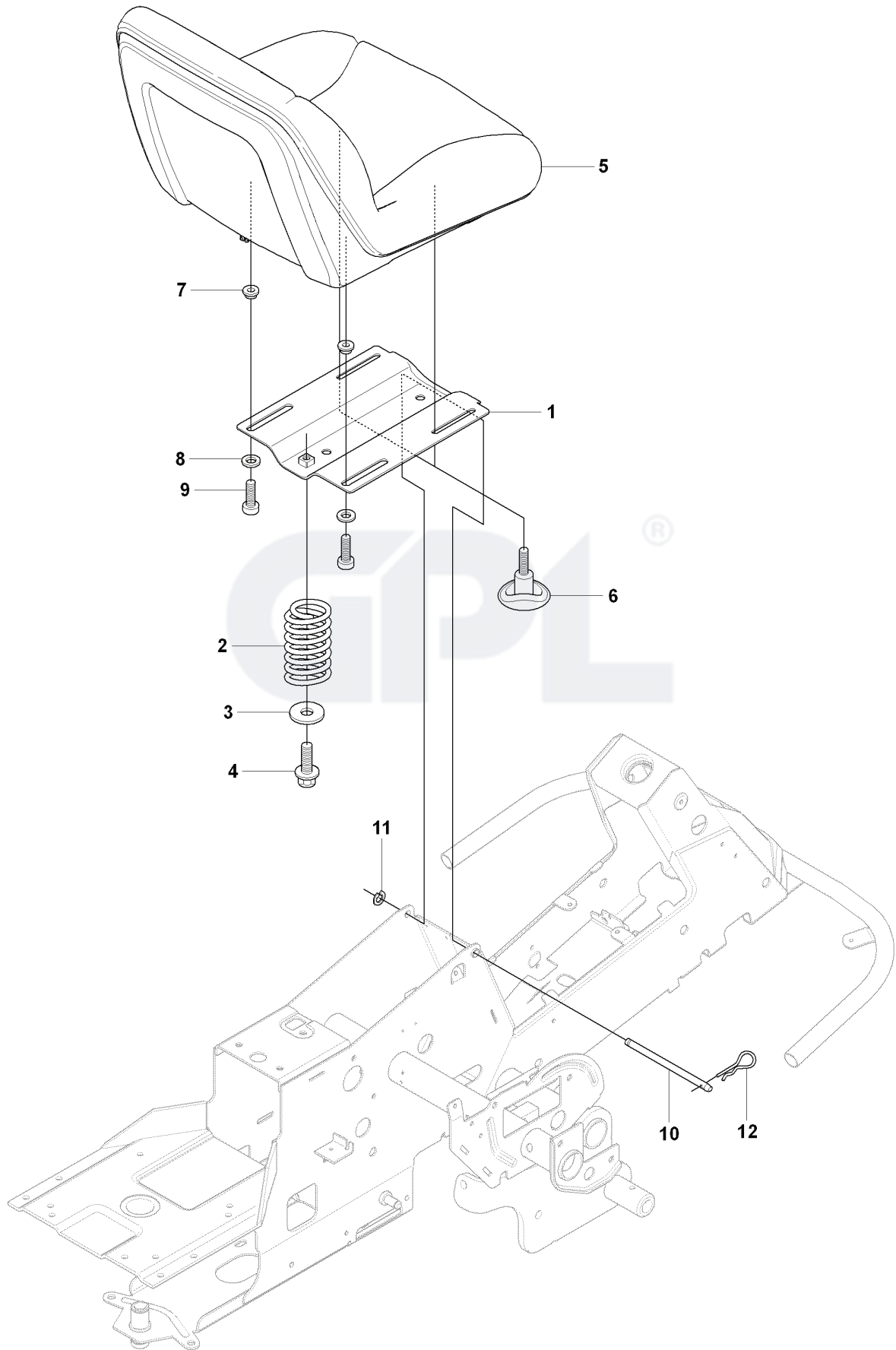
K 965 19 02-01 FR2211 M
STEERING



REF.	PART NO.	DESCRIPTION	REMARK	QTY.	KIT
1	506671901	SPRING		1	
2	506576301	SPRING RETAINER		1	
3	506670801	LINK		1	
4	506597401	SCREW EHHFM		1	
5	544375203	STEERING WHEEL		1	
6	728745505	SCREW IHSETM		1	
7	731231801	HEXAGON NUT		1	
8	535499501	ROD STEERING ASSY		1	
9	506863401	DRIVER		3	
10	728844305	SCREW IHSETM		3	
11	506863601	WASHER		1	
12	506887801	SPACER		1	
13	738210404	BALL BEARING		1	
14	506570104	SCREW EHHFM		1	
15	506500903	BARRING WHEEL		1	
16	535424101	BARRING WHEEL		1	
17	735314010	CIRCLIP		1	
18	738220419	BALL BEARING		1	
19	506500802	BUSHING		1	
20	506675402	SCREW EHHFM		1	
21	734117441	WASHER		1	
22	506589104	WIRE ASSY		2	
23	506522401	STARTER PULLEY		2	
24	506539402	SHAFT		1	
25	735311420	E-CLIP		2	
26	506554601	CHAIN		1	
27	506554701	LINKAGE		2	
28	544427301	WIRE GUIDE		1	
29	731232051	HEXAGON NUT		4	



A 965 19 02-01 FR2211 M
SEAT, TS2500



REF.	PART NO.	DESCRIPTION	REMARK	QTY.	KIT
1	544328504	SEAT BRACKET		1	
2	506915301	COMPRESSION SPRING		1	
3	734117441	WASHER		1	
4	725249371	SCREW EHHM		1	
5	502609701	SEAT		1	
6	506565501	JUSTERVRED		2	
7	506565301	BUSHING		2	
8	734116441	WASHER		2	
9	506556301	SCREW UNC		2	
10	506509901	SHAFT		1	
11	735311200	CIRCLIP		1	
12	506668801	SPRING COTTER		1	

GPL®