

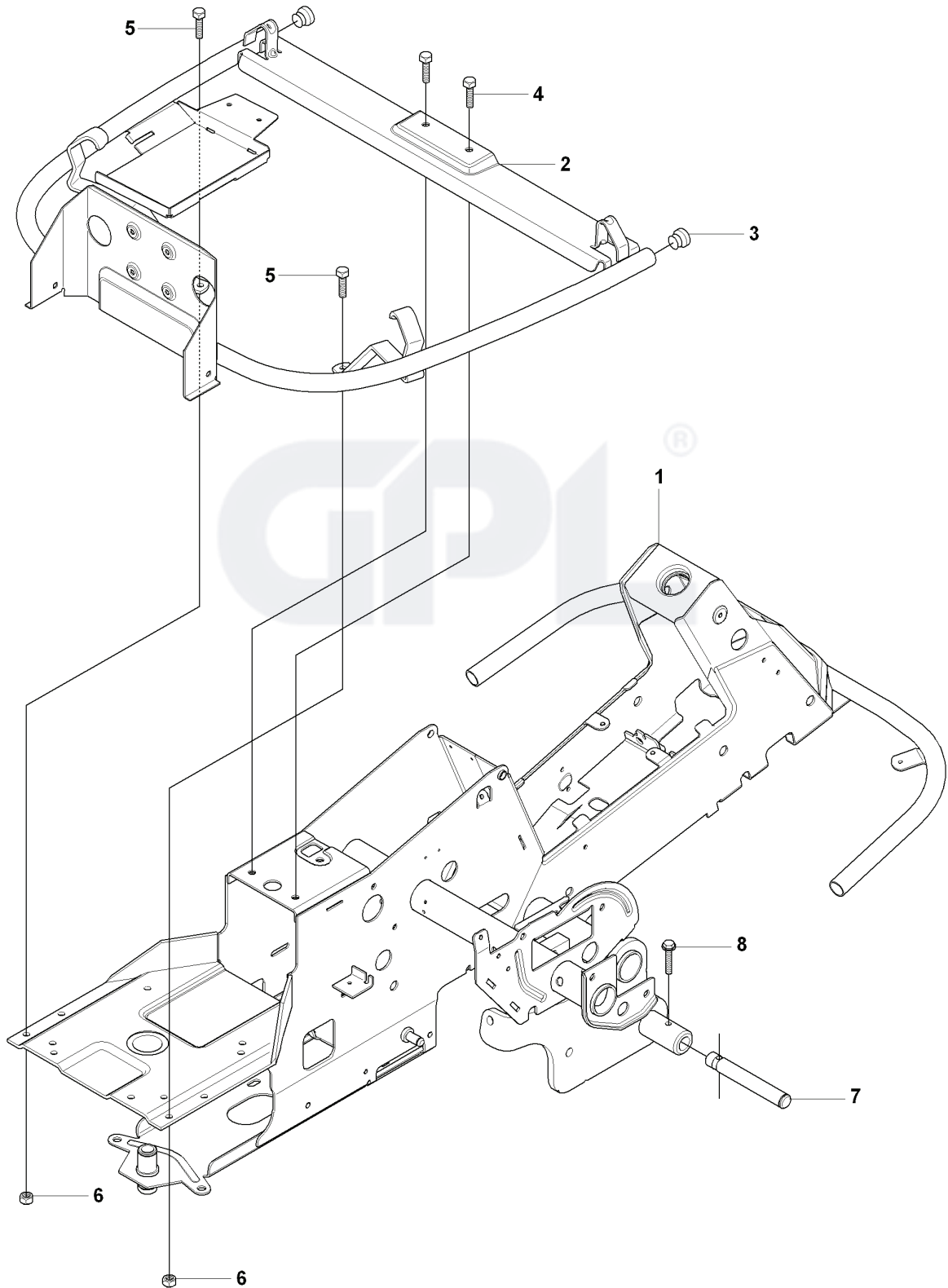
FR2211 R, 965190101, 2009-04



---

**SPARE PARTS LIST**

**F** FR2211 R  
CHASSIS

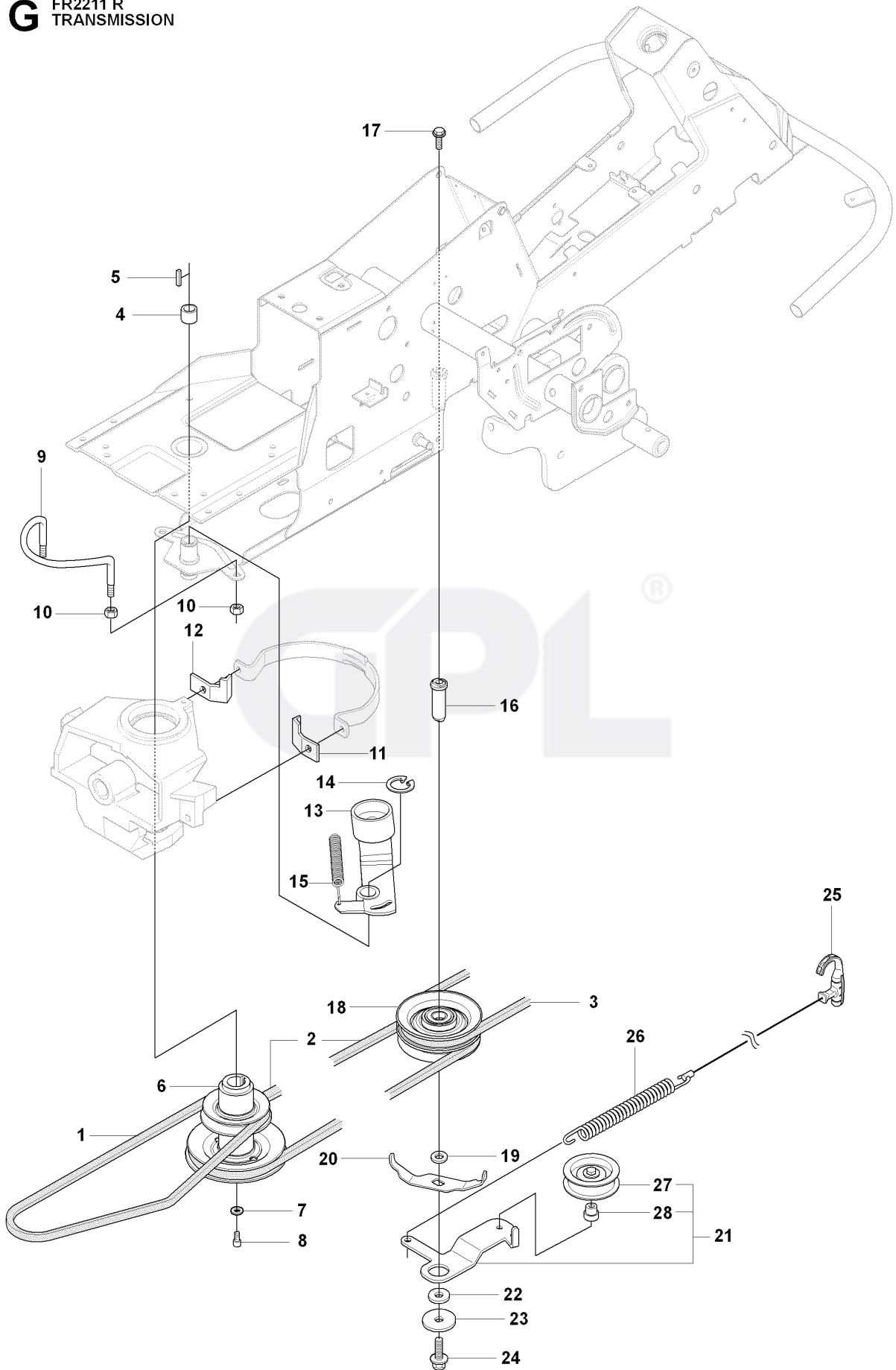


---

| REF. | PART NO.  | DESCRIPTION  | REMARK | QTY. | KIT |
|------|-----------|--------------|--------|------|-----|
| 1    | 544842302 | FRAME        |        | 1    |     |
| 2    | 502247801 | ENGINE FRAME |        | 1    |     |
| 3    | 506810101 | PLUG         |        | 2    |     |
| 4    | 506570103 | SCREW EHHFM  |        | 2    |     |
| 5    | 725245171 | SCREW EHHM   |        | 2    |     |
| 6    | 732211801 | LOCK NUT     |        | 2    |     |
| 7    | 535470801 | WHEEL AXLE   |        | 2    |     |
| 8    | 725245961 | SCREW EHHFT  |        | 2    |     |

GPL®

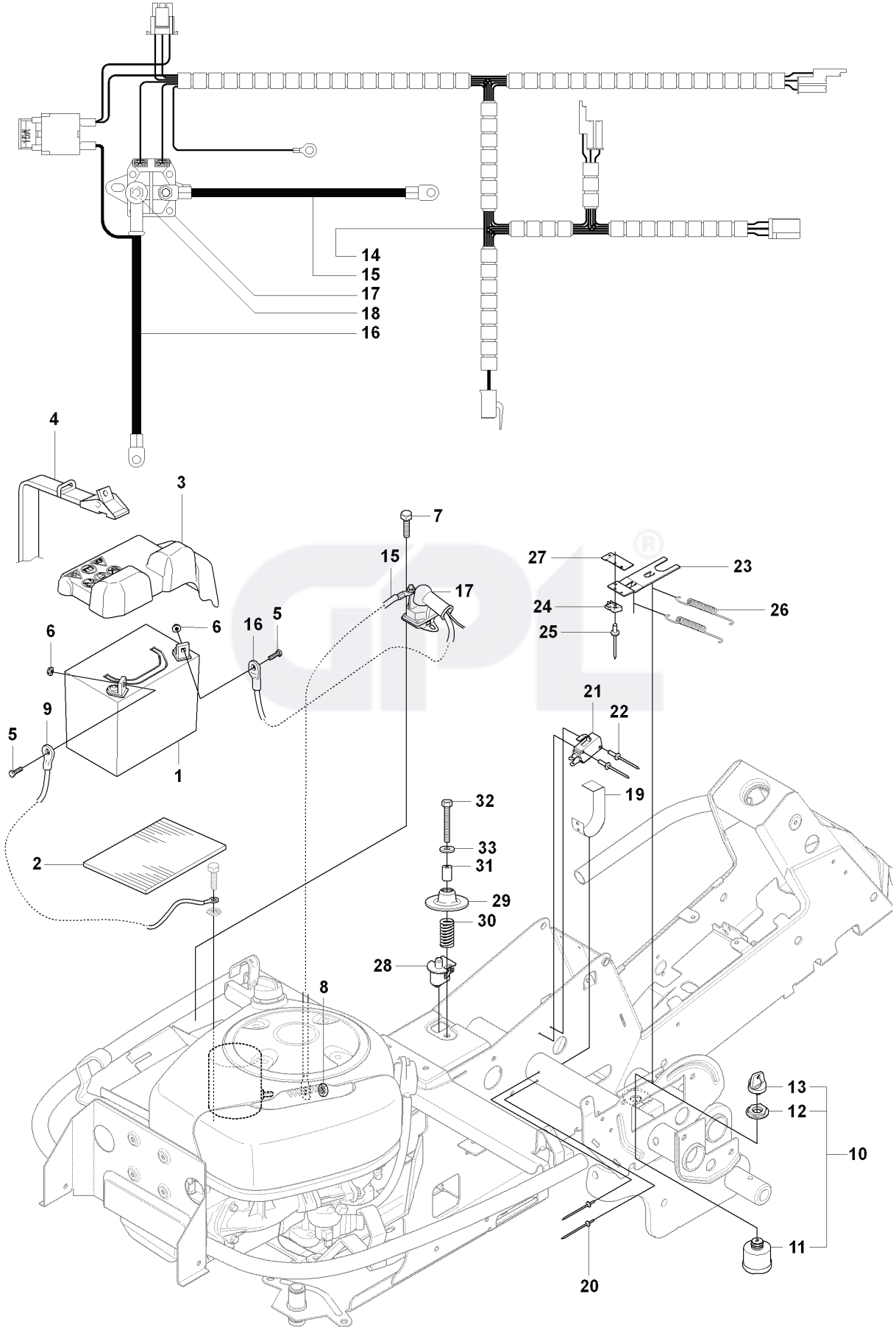
**G** FR2211 R  
TRANSMISSION



| REF. | PART NO.  | DESCRIPTION          | REMARK | QTY. | KIT |
|------|-----------|----------------------|--------|------|-----|
| 1    | 589531301 | BELT                 |        | 1    |     |
| 2    | 589530401 | BELT                 |        | 1    |     |
| 3    | 589530001 | BELT                 |        | 1    |     |
| 4    | 506509201 | SPACING SLEEVE       |        | 1    |     |
| 5    | 506555901 | WEDGE                |        | 1    |     |
| 6    | 506585201 | PULLEY               |        | 1    |     |
| 7    | 506597501 | WASHER               |        | 1    |     |
| 8    | 506556002 | SCREW UNC            |        | 1    |     |
| 9    | 506664501 | BELT GUIDE           |        | 1    |     |
| 10   | 731232051 | HEXAGON NUT          |        | 4    |     |
| 11   | 506674401 | BELT GUIDE           |        | 1    |     |
| 12   | 506674501 | BELT GUIDE           |        | 1    |     |
| 13   | 535484401 | BELT TENSIONER ASSY  |        | 1    |     |
| 14   | 735312600 | CIRCLIP              |        | 1    |     |
| 15   | 506665601 | SPRING               |        | 1    |     |
| 16   | 544426101 | SHAFT                |        | 1    |     |
| 17   | 506675402 | SCREW EHHFM          |        | 1    |     |
| 18   | 535482201 | PULLEY               |        | 1    |     |
| 19   | 506775701 | WASHER               |        | 1    |     |
| 20   | 544405301 | BELT GUIDE           |        | 1    |     |
| 21   | 544228101 | BELT TENSIONER ASSY  |        | 1    |     |
| 22   | 506597501 | WASHER               |        | 1    |     |
| 23   | 506982501 | WASHER               |        | 1    |     |
| 24   | 506570105 | SCREW EHHFM          |        | 1    |     |
| 25   | 544239501 | HANDLE ASSY          |        | 1    |     |
| 26   | 544238801 | SPRING               |        | 1    |     |
| 27   | 506793202 | BELT TENSIONER WHEEL |        | 1    |     |
| 28   | 506976401 | BUSHING              |        | 1    |     |



**P** FR2211 R  
ELECTRICAL

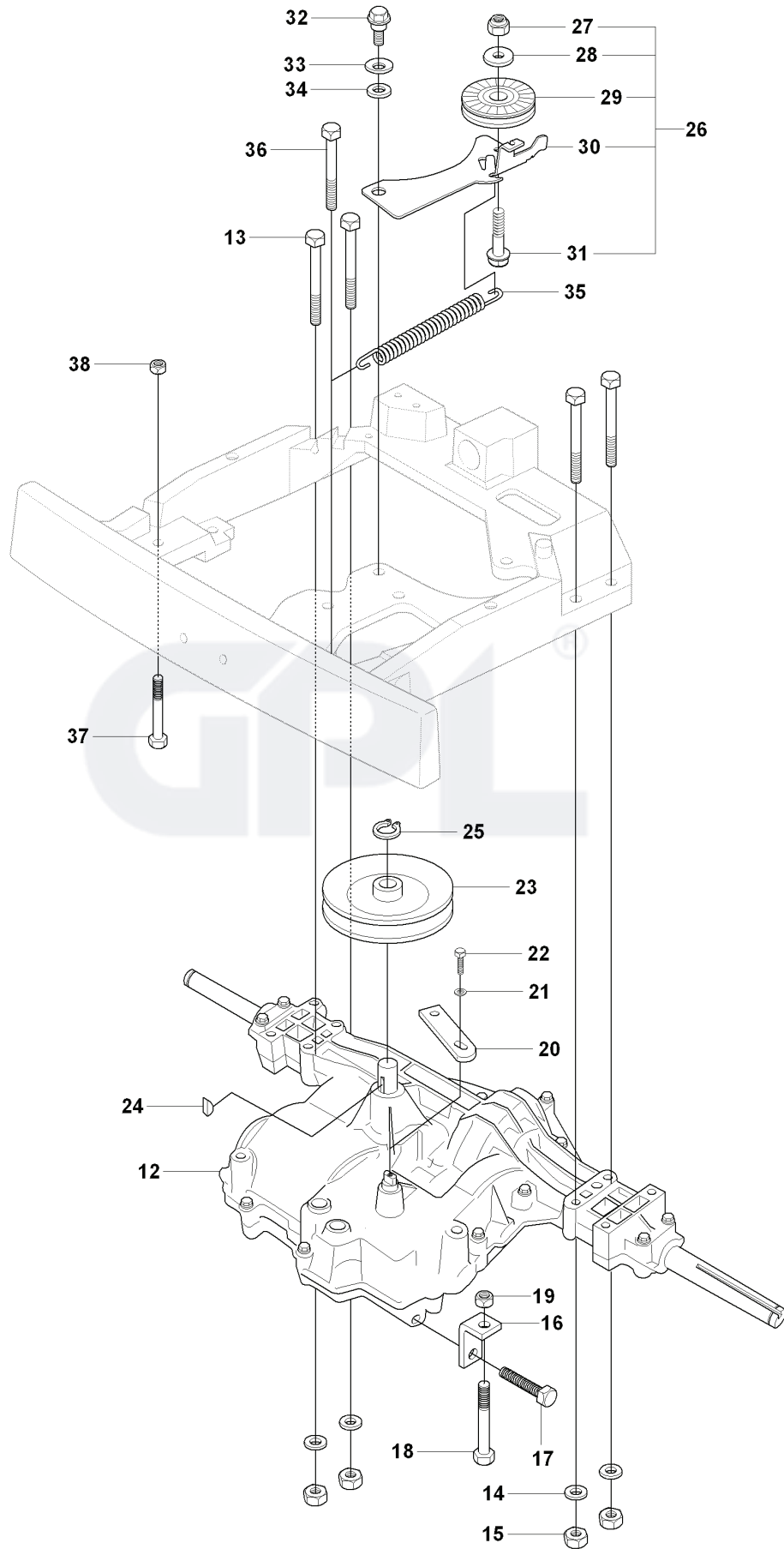


| REF. | PART NO.  | DESCRIPTION     | REMARK | QTY. | KIT |
|------|-----------|-----------------|--------|------|-----|
| 1    | 510138501 | BATTERY         |        | 1    |     |
| 2    | 535441101 | BATTERY MAT     |        | 1    |     |
| 3    | 510026901 | COVER           |        | 1    |     |
| 4    | 506836802 | BELT            |        | 1    |     |
| 5    | 522622101 | SCREW EHHM      |        | 1    |     |
| 6    | 522624301 | NUT             |        | 1    |     |
| 7    | 725236461 | SCREW EHHFT     |        | 1    |     |
| 8    | 506899801 | NUT             |        | 1    |     |
| 9    | 544967603 | CABLE           |        | 1    |     |
| 10   | 544442101 | IGNITION SWITCH |        | 1    |     |
| 11   | 544442201 | IGNITION SWITCH |        | 1    |     |
| 12   | 544442301 | NUT             |        | 1    |     |
| 13   | 544442401 | IGNITION KEY    |        | 1    |     |
| 14   | 544926001 | WIRING          |        | 1    |     |
| 15   | 544928601 | CABLE           |        | 1    |     |
| 16   | 544926101 | CABLE           |        | 1    |     |
| 17   | 544439801 | RELAY           |        | 1    |     |
| 18   | 506899801 | NUT             |        | 2    |     |
| 19   | 506909301 | PLATE SPRING    |        | 1    |     |
| 20   | 722783902 | BLIND RIVET     |        | 2    |     |
| 21   | 535469101 | SWITCH          |        | 1    |     |
| 22   | 544440701 | RIVET           |        | 2    |     |
| 23   | 506909402 | BRACKET         |        | 1    |     |
| 24   | 535469101 | SWITCH          |        | 1    |     |
| 25   | 544440701 | RIVET           |        | 2    |     |
| 26   | 506834301 | SPRING          |        | 2    |     |
| 27   | 504711601 | ADAPTER         |        | 1    |     |
| 28   | 506909601 | SWITCH          |        | 1    |     |
| 29   | 506909701 | SPRING WASHER   |        | 1    |     |
| 30   | 544441201 | SPRING          |        | 1    |     |
| 31   | 506909902 | SPACING TUBE    |        | 1    |     |
| 32   | 725246051 | SCREW EHHM      |        | 1    |     |
| 33   | 734116401 | WASHER          |        | 1    |     |





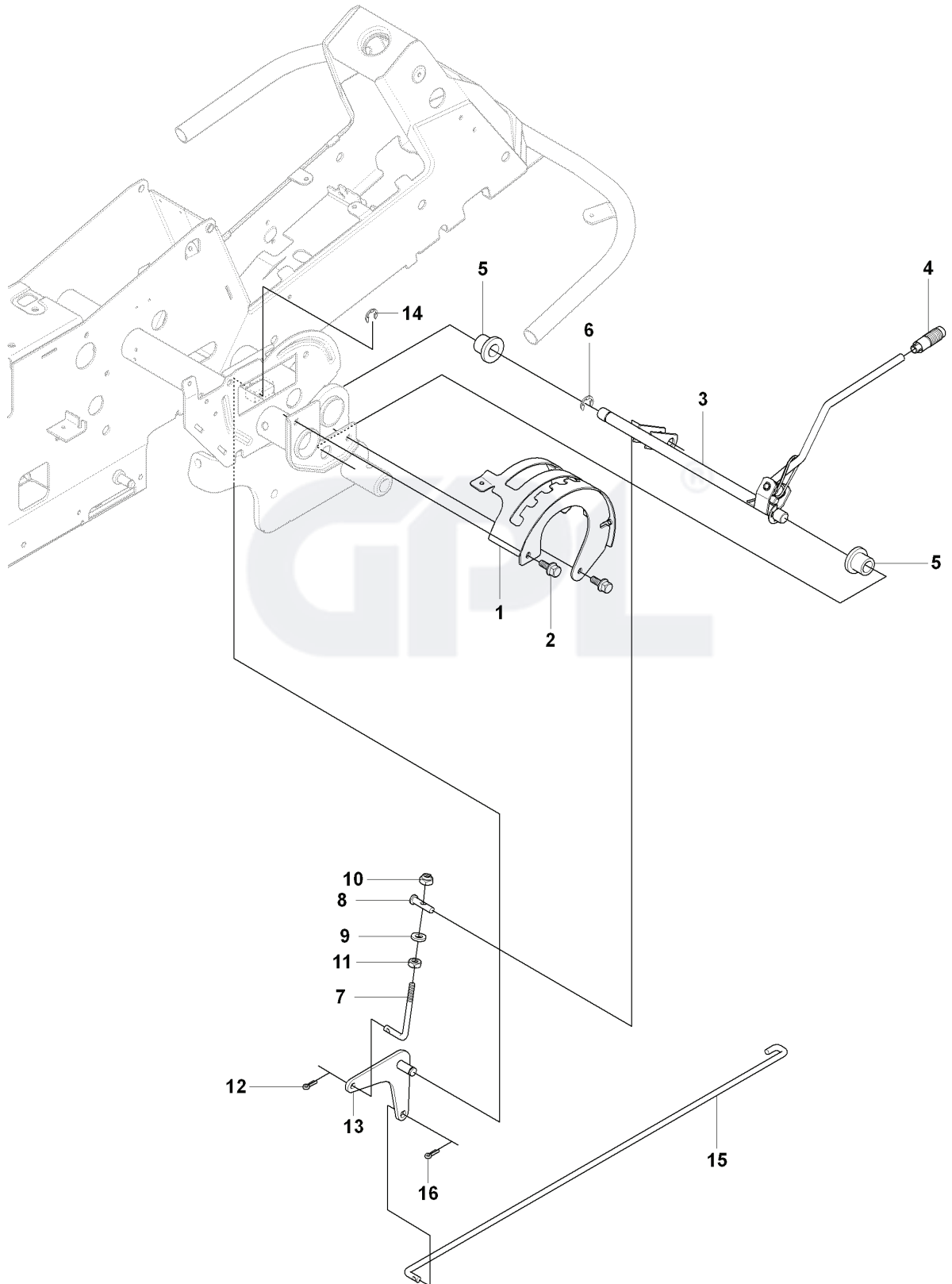
**J2** FR2211 R  
CHASSIS, REAR



| REF. | PART NO.  | DESCRIPTION          | REMARK | QTY. | KIT |
|------|-----------|----------------------|--------|------|-----|
| 12   | 506955501 | GEAR CASE MST 205    |        | 1    |     |
| 13   | 725246751 | SCREW EHHM           |        | 4    |     |
| 14   | 734116401 | WASHER               |        | 4    |     |
| 15   | 731231801 | HEXAGON NUT          |        | 4    |     |
| 16   | 506575101 | BRACKET              |        | 1    |     |
| 17   | 506558302 | SCREW EHHFT          |        | 1    |     |
| 18   | 725245551 | SCREW                |        | 1    |     |
| 19   | 731231801 | HEXAGON NUT          |        | 1    |     |
| 20   | 506904501 | VÄXELARM             |        | 1    |     |
| 21   | 734115601 | WASHER               |        | 1    |     |
| 22   | 506557801 | U6S-UNF1/4"X28 L=16  |        | 1    |     |
| 23   | 502234401 | PULLEY               |        | 1    |     |
| 24   | 506509401 | WOODRUFF KEY         |        | 1    |     |
| 25   | 735311800 | CIRCLIP              |        | 1    |     |
| 26   | 506989501 | BELT TENSIONER ASSY  |        | 1    |     |
| 27   | 732211801 | LOCK NUT             |        | 1    |     |
| 28   | 734116441 | WASHER               |        | 1    |     |
| 29   | 506793401 | BELT TENS WHEEL ASSY |        | 1    |     |
| 30   | 506989601 | BELT TENSIONER       |        | 1    |     |
| 31   | 725245551 | SCREW                |        | 1    |     |
| 32   | 506597401 | SCREW EHHFM          |        | 1    |     |
| 33   | 506839401 | SPRING WASHER        |        | 1    |     |
| 34   | 734117801 | WASHER               |        | 1    |     |
| 35   | 506988601 | SPRING               |        | 1    |     |
| 36   | 725246451 | SCREW EHHM           |        | 1    |     |
| 37   | 725245551 | SCREW                |        | 1    |     |
| 38   | 731231801 | HEXAGON NUT          |        | 1    |     |



**D** FR2211 R  
HEIGHT ADJUSTMENT

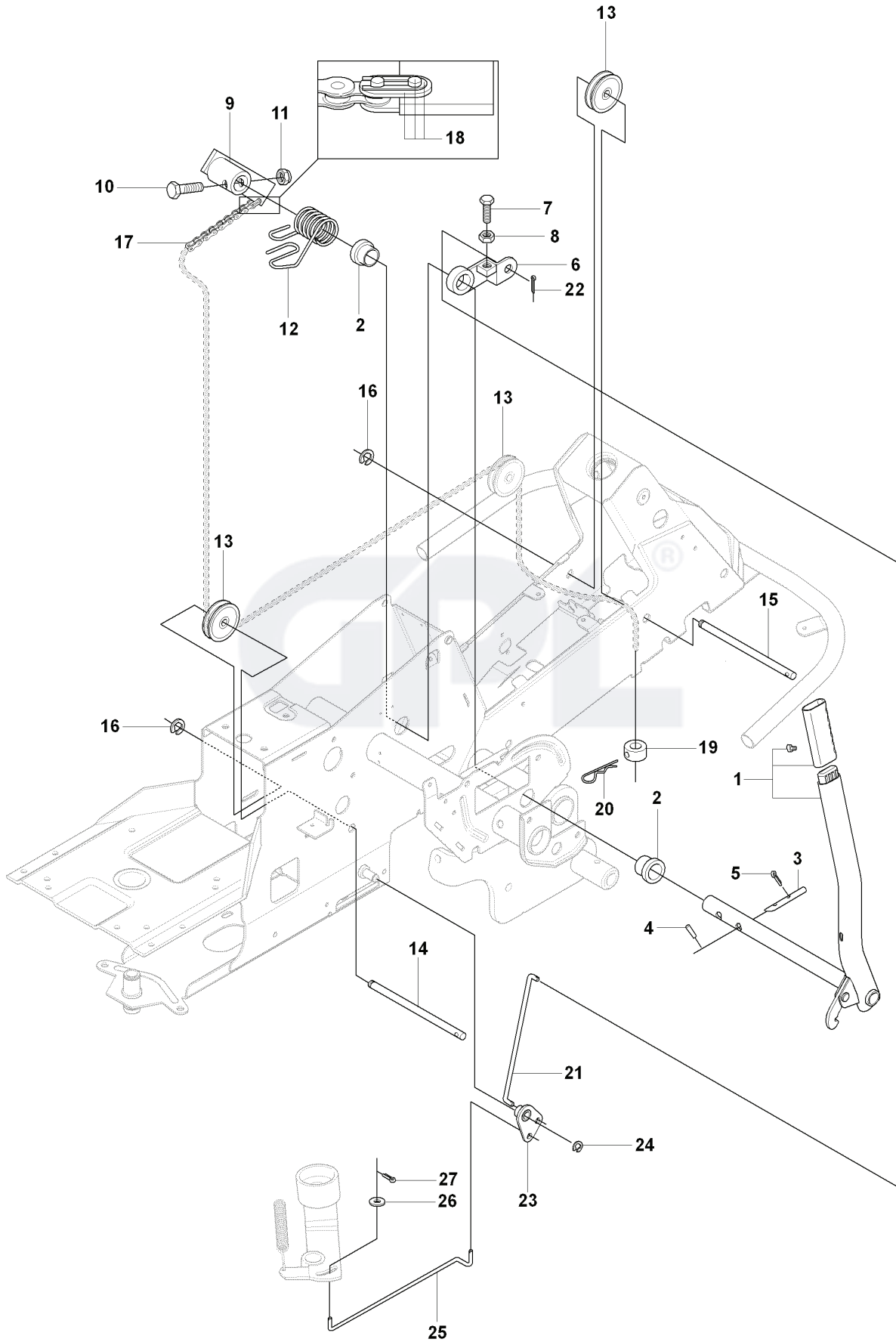


---

| REF. | PART NO.  | DESCRIPTION    | REMARK | QTY. | KIT |
|------|-----------|----------------|--------|------|-----|
| 1    | 535501402 | CONTROL PLATE  |        | 1    |     |
| 2    | 506570103 | SCREW EHHFM    |        | 2    |     |
| 3    | 504734501 | ADJUSTER       |        | 1    |     |
| 4    | 506542001 | HANDLE         |        | 1    |     |
| 5    | 506554301 | BEARING        |        | 2    |     |
| 6    | 735312220 | E-CLIP         |        | 1    |     |
| 7    | 506908201 | HEIGHT ROD     |        | 1    |     |
| 8    | 506784601 | PEN            |        | 1    |     |
| 9    | 734117201 | WASHER         |        | 1    |     |
| 10   | 732211801 | LOCK NUT       |        | 1    |     |
| 11   | 731231801 | HEXAGON NUT    |        | 1    |     |
| 12   | 721618301 | SPLIT PIN      |        | 1    |     |
| 13   | 544227701 | LINK           |        | 1    |     |
| 14   | 735311520 | E-CLIP         |        | 1    |     |
| 15   | 544227001 | CONNECTION ROD |        | 1    |     |
| 16   | 721618301 | SPLIT PIN      |        | 1    |     |

**GPL**®

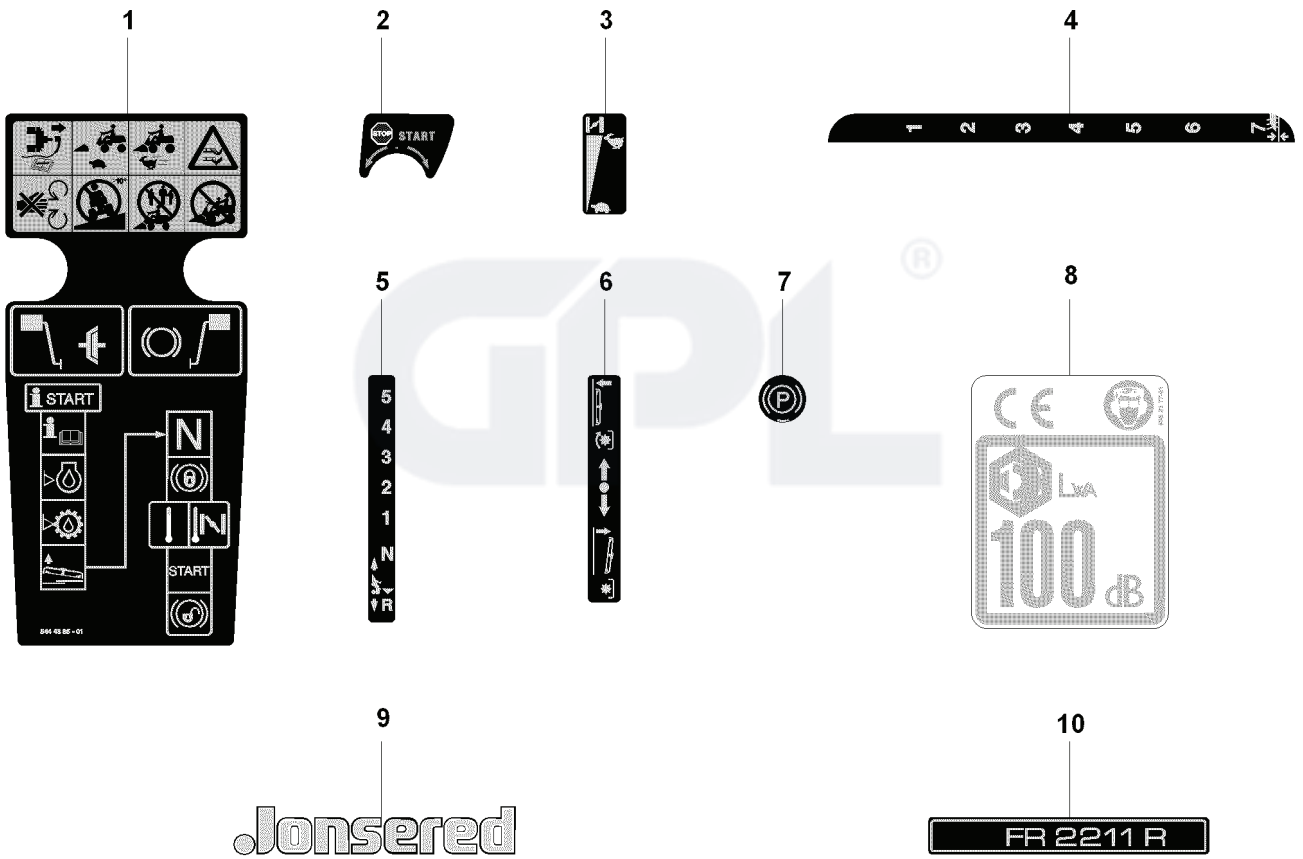
**E** FR2211 R  
MOWER LIFT



| REF. | PART NO.  | DESCRIPTION         | REMARK | QTY. | KIT |
|------|-----------|---------------------|--------|------|-----|
| 1    | 501018602 | LIFTING LEVER ASSY  |        | 1    |     |
| 2    | 506556501 | BEARING             |        | 2    |     |
| 3    | 506905301 | PEN                 |        | 1    |     |
| 4    | 721125930 | GROOVED PIN         |        | 1    |     |
| 5    | 721618301 | SPLIT PIN           |        | 1    |     |
| 6    | 506784301 | LINK ASSY           |        | 1    |     |
| 7    | 725249751 | SCREW               |        | 1    |     |
| 8    | 731232051 | HEXAGON NUT         |        | 1    |     |
| 9    | 544433601 | LIFTING ARM         |        | 1    |     |
| 10   | 725254251 | SCREW EHHM          |        | 1    |     |
| 11   | 732252201 | HEXAGON LOCKING NUT |        | 1    |     |
| 12   | 506916801 | SPRING              |        | 1    |     |
| 13   | 506905601 | OFFSET PULLEY       |        | 2    |     |
| 14   | 506905701 | SHAFT               |        | 1    |     |
| 15   | 506905702 | SHAFT               |        | 1    |     |
| 16   | 735311820 | E-CLIP              |        | 2    |     |
| 17   | 506554607 | CHAIN               |        | 1    |     |
| 18   | 506554701 | LINKAGE             |        | 1    |     |
| 19   | 544934201 | CHAIN STOP          |        | 1    |     |
| 20   | 506966601 | HAIR PIN COTTER     |        | 1    |     |
| 21   | 544456901 | CONNECTION ROD      |        | 1    |     |
| 22   | 721618301 | SPLIT PIN           |        | 1    |     |
| 23   | 544378601 | LINK                |        | 1    |     |
| 24   | 735311420 | E-CLIP              |        | 1    |     |
| 25   | 544448801 | CONNECTION ROD      |        | 1    |     |
| 26   | 734116441 | WASHER              |        | 1    |     |
| 27   | 721618301 | SPLIT PIN           |        | 1    |     |



**R** FR2211 R  
DECALS



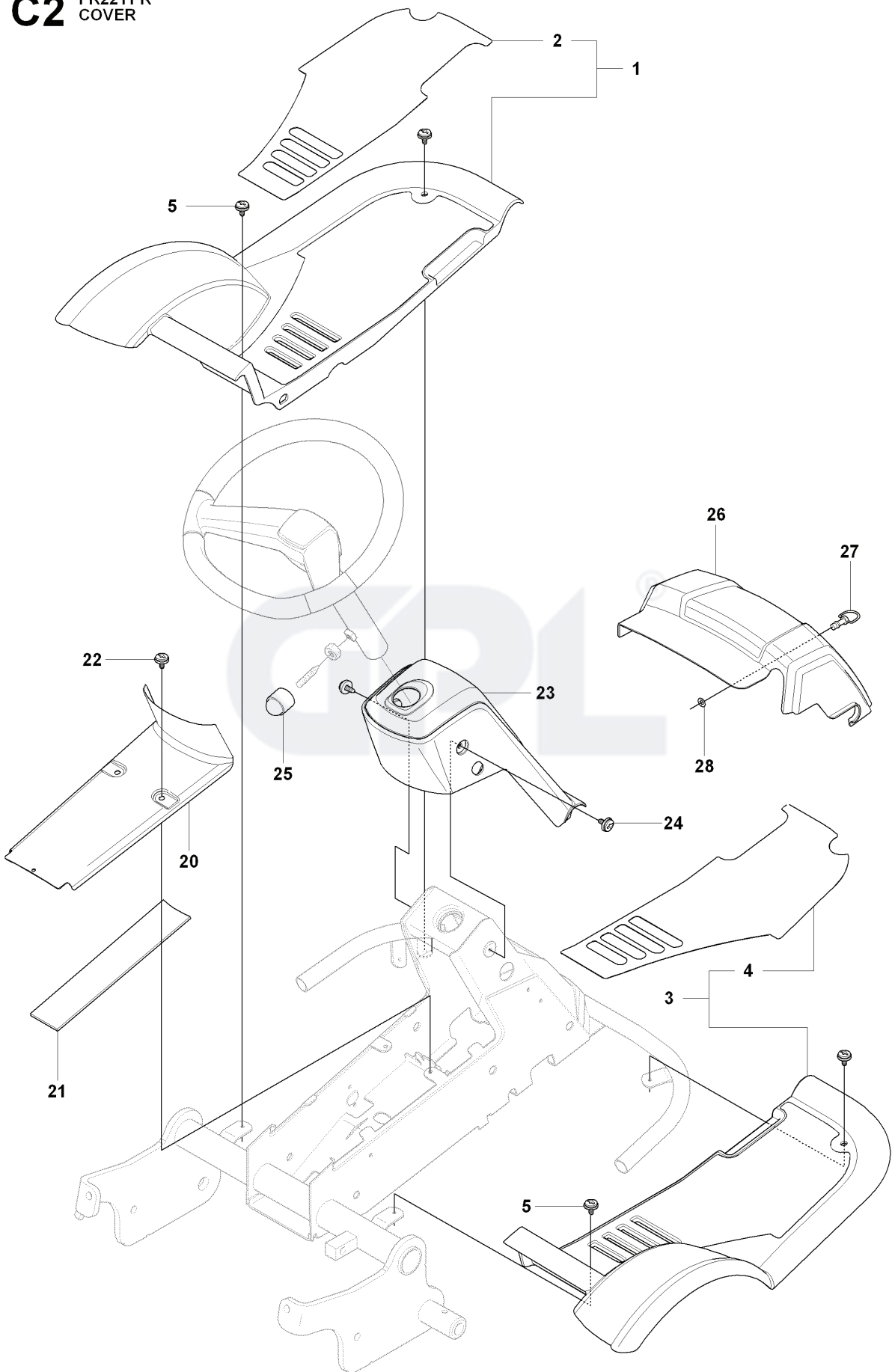
---

| REF. | PART NO.  | DESCRIPTION | REMARK | QTY. | KIT |
|------|-----------|-------------|--------|------|-----|
| 1    | 544438501 | LABEL       |        | 1    |     |
| 2    | 502291401 | LABEL       |        | 1    |     |
| 3    | 544438802 | LABEL       |        | 1    |     |
| 4    | 544439004 | LABEL       |        | 1    |     |
| 5    | 544439102 | LABEL       |        | 1    |     |
| 6    | 544439202 | LABEL       |        | 1    |     |
| 7    | 506584501 | LABEL       |        | 1    |     |
| 8    | 505217701 | LABEL       |        | 1    |     |
| 9    | 535434701 | DECAL       |        | 3    |     |
| 10   | 502292101 | LABEL       |        | 1    |     |





**C2** FR2211 R  
COVER

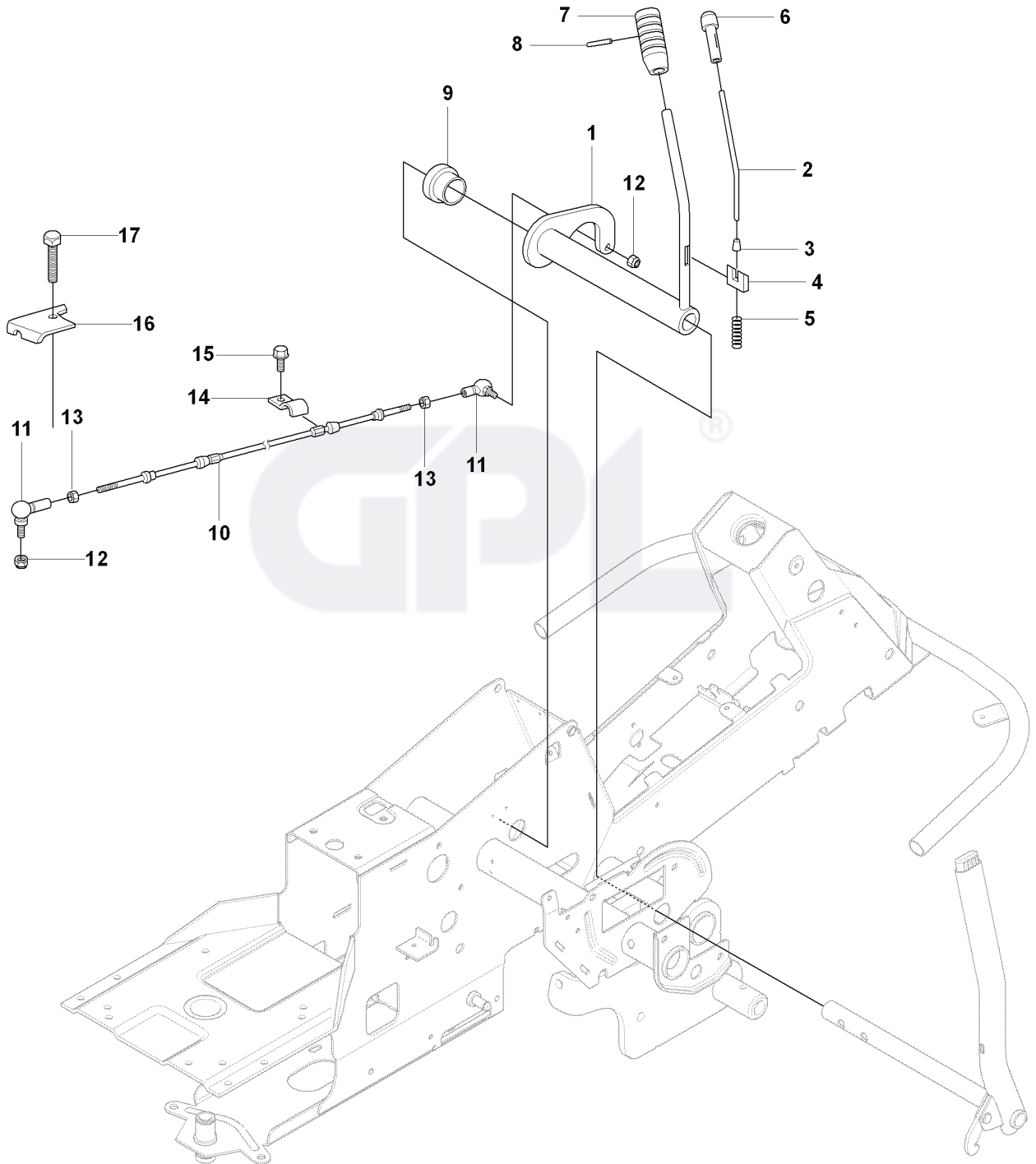


---

| REF. | PART NO.  | DESCRIPTION      | REMARK | QTY. | KIT |
|------|-----------|------------------|--------|------|-----|
| 1    | 502290701 | FOOT PLATE       |        | 1    |     |
| 2    | 504060201 | MAT              |        | 1    |     |
| 3    | 502290702 | FOOT PLATE       |        | 1    |     |
| 4    | 504060202 | MAT              |        | 1    |     |
| 5    | 544400501 | SCREW            |        | 4    |     |
| 20   | 544239202 | COVER            |        | 1    |     |
| 21   | 544427501 | MAT              |        | 1    |     |
| 22   | 544400501 | SCREW            |        | 2    |     |
| 23   | 504060103 | COVER            |        | 1    |     |
| 24   | 544400501 | SCREW            |        | 2    |     |
| 25   | 544433202 | PROTECTIVE COVER |        | 1    |     |
| 26   | 544374202 | UNIT COVER       |        | 1    |     |
| 27   | 506963501 | VRDTAPP          |        | 1    |     |
| 28   | 506963601 | WASHER           |        | 1    |     |



**M** FR2211 R  
CONTROLS

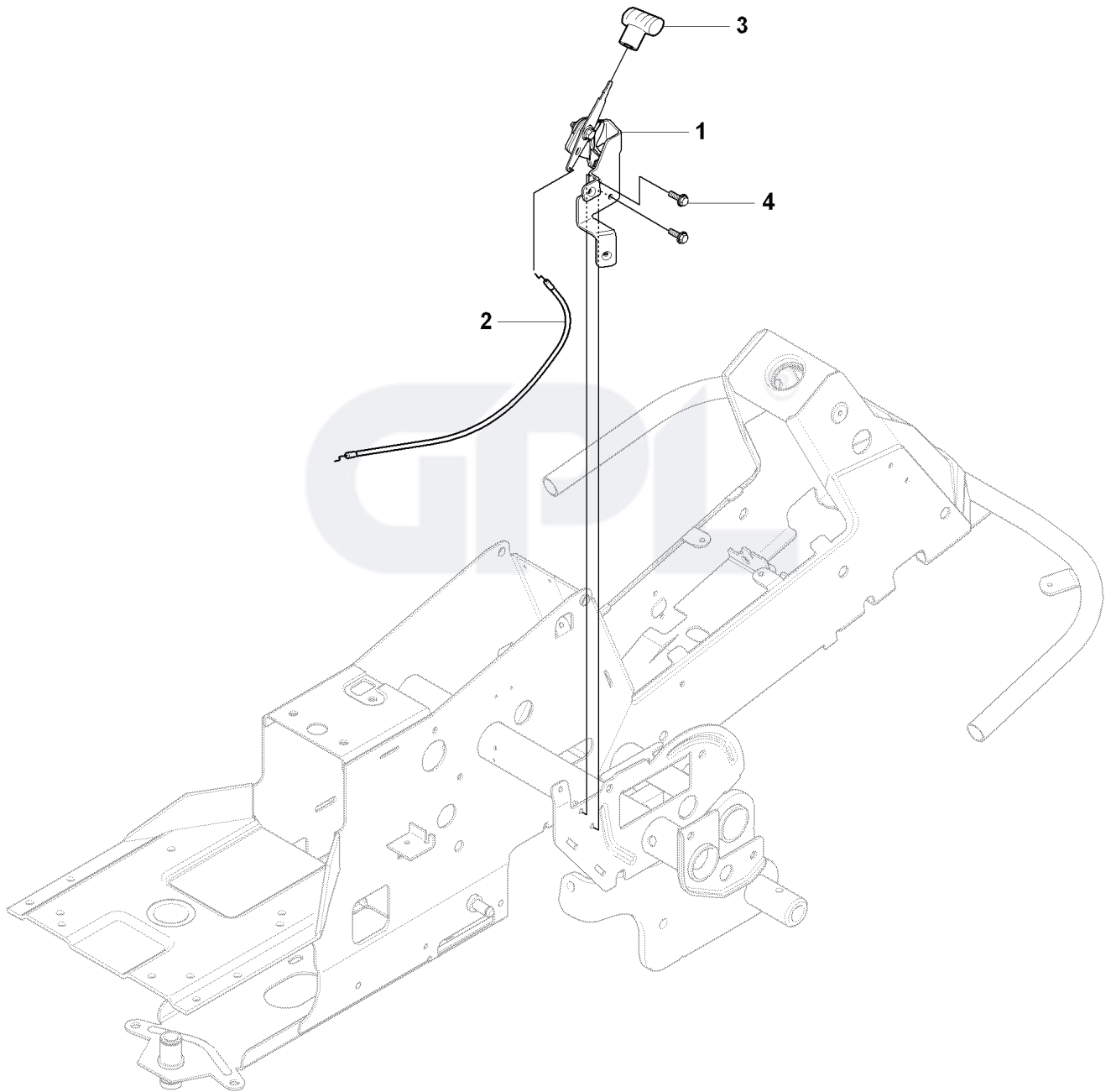


---

| REF. | PART NO.  | DESCRIPTION           | REMARK | QTY. | KIT |
|------|-----------|-----------------------|--------|------|-----|
| 1    | 506906501 | GEAR LEVER ASSY       |        | 1    |     |
| 2    | 506906901 | PUSH ROD              |        | 1    |     |
| 3    | 506831701 | END FITTING           |        | 1    |     |
| 4    | 506831801 | LOCK                  |        | 1    |     |
| 5    | 506832302 | COMPRESSION SPRING    |        | 1    |     |
| 6    | 506907001 | KNOB                  |        | 1    |     |
| 7    | 506907101 | HANDLE                |        | 1    |     |
| 8    | 721421226 | SPRING PIN            |        | 1    |     |
| 9    | 506556501 | BEARING               |        | 1    |     |
| 10   | 506907301 | VÄXELVÄLJARKABEL      |        | 1    |     |
| 11   | 506557301 | VINKELLAS8 DIN71802   |        | 2    |     |
| 12   | 732211401 | LOCK NUT              |        | 2    |     |
| 13   | 731231401 | HEXAGON NUT           |        | 2    |     |
| 14   | 506566501 | CLIP                  |        | 1    |     |
| 15   | 725236461 | SCREW EHHFT           |        | 1    |     |
| 16   | 506907401 | WIRE HOLDER           |        | 1    |     |
| 17   | 725236651 | HEXAGONAL SCREW M6X12 |        | 1    |     |

GPL®

**L** FR2211 R  
CONTROLS

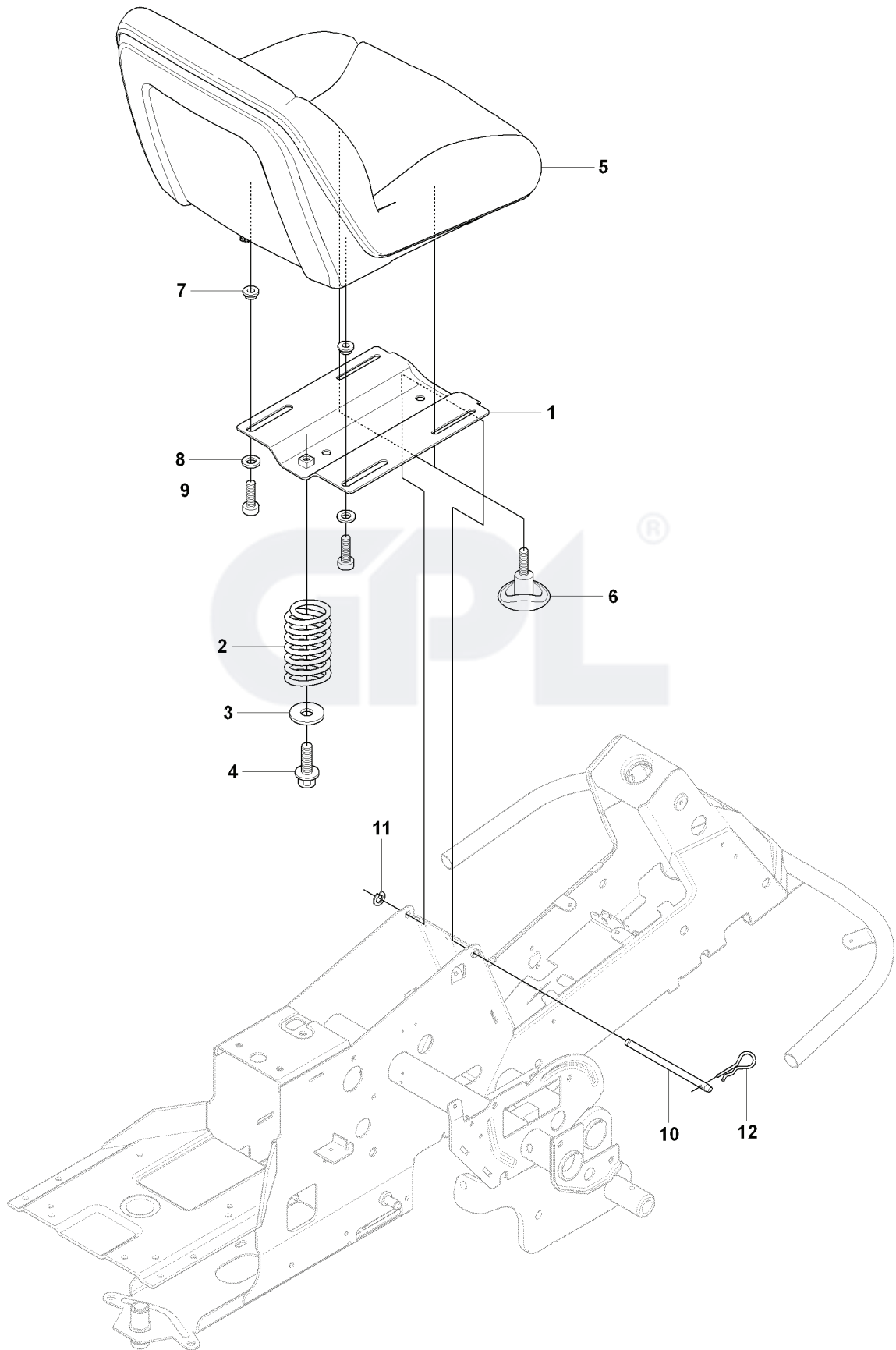


---

| REF. | PART NO.  | DESCRIPTION      | REMARK | QTY. | KIT |
|------|-----------|------------------|--------|------|-----|
| 1    | 502295601 | THROTTLE CONTROL |        | 1    |     |
| 2    | 544301701 | WIRE             |        | 1    |     |
| 3    | 506889101 | KNOB             |        | 1    |     |
| 4    | 725236461 | SCREW EHHFT      |        | 2    |     |

GPL®

**A** FR2211 R  
SEAT, TS2500



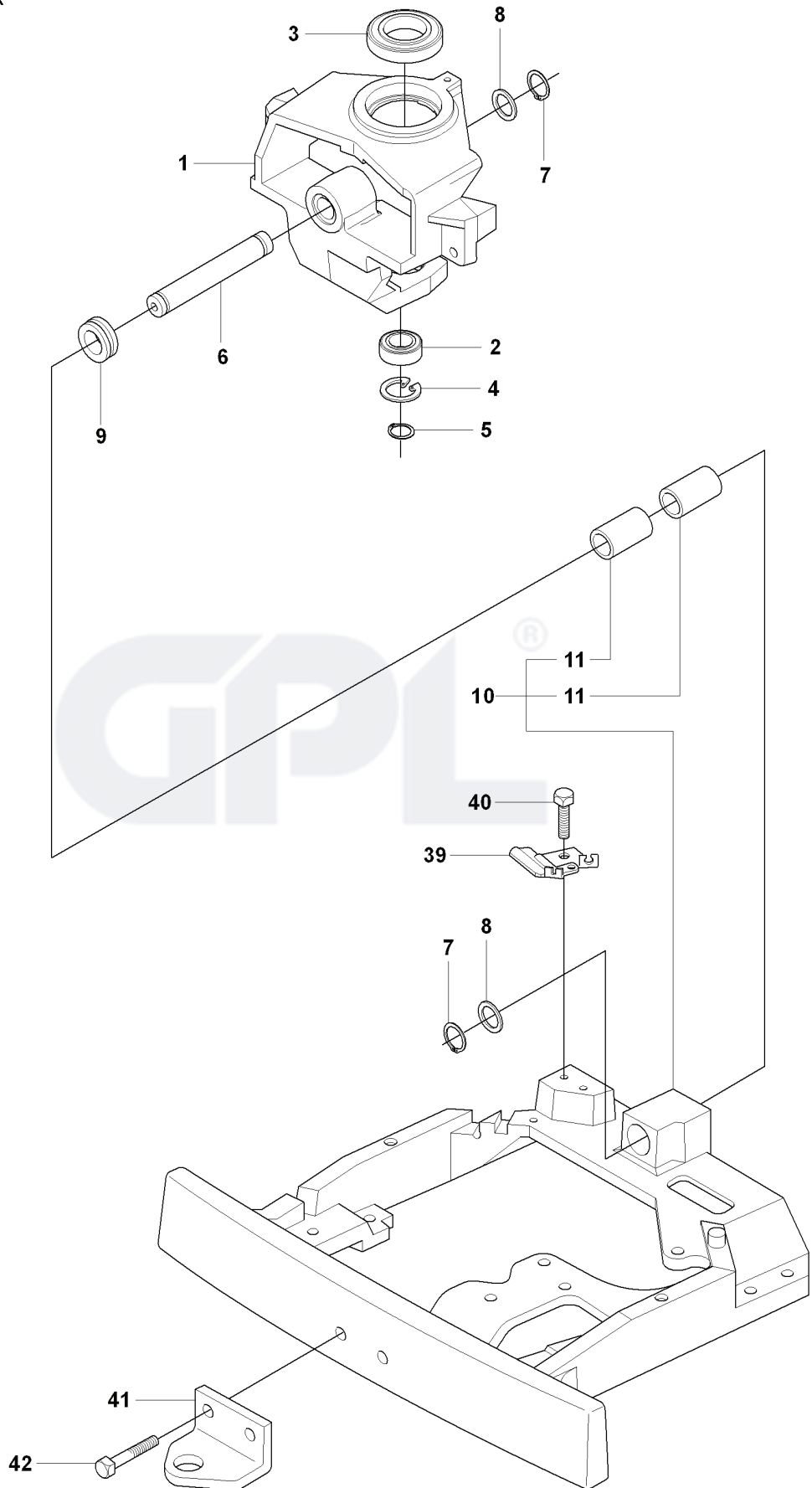
---

| REF. | PART NO.  | DESCRIPTION        | REMARK | QTY. | KIT |
|------|-----------|--------------------|--------|------|-----|
| 1    | 544328504 | SEAT BRACKET       |        | 1    |     |
| 2    | 506915301 | COMPRESSION SPRING |        | 1    |     |
| 3    | 734117441 | WASHER             |        | 1    |     |
| 4    | 725249371 | SCREW EHHM         |        | 1    |     |
| 5    | 502609701 | SEAT               |        | 1    |     |
| 6    | 506565501 | JUSTERVRED         |        | 2    |     |
| 7    | 506565301 | BUSHING            |        | 2    |     |
| 8    | 734116441 | WASHER             |        | 2    |     |
| 9    | 506556301 | SCREW UNC          |        | 2    |     |
| 10   | 506509901 | SHAFT              |        | 1    |     |
| 11   | 735311200 | CIRCLIP            |        | 1    |     |
| 12   | 506668801 | SPRING COTTER      |        | 1    |     |

GPL®



**J1** FR2211 R  
CHASSIS, REAR

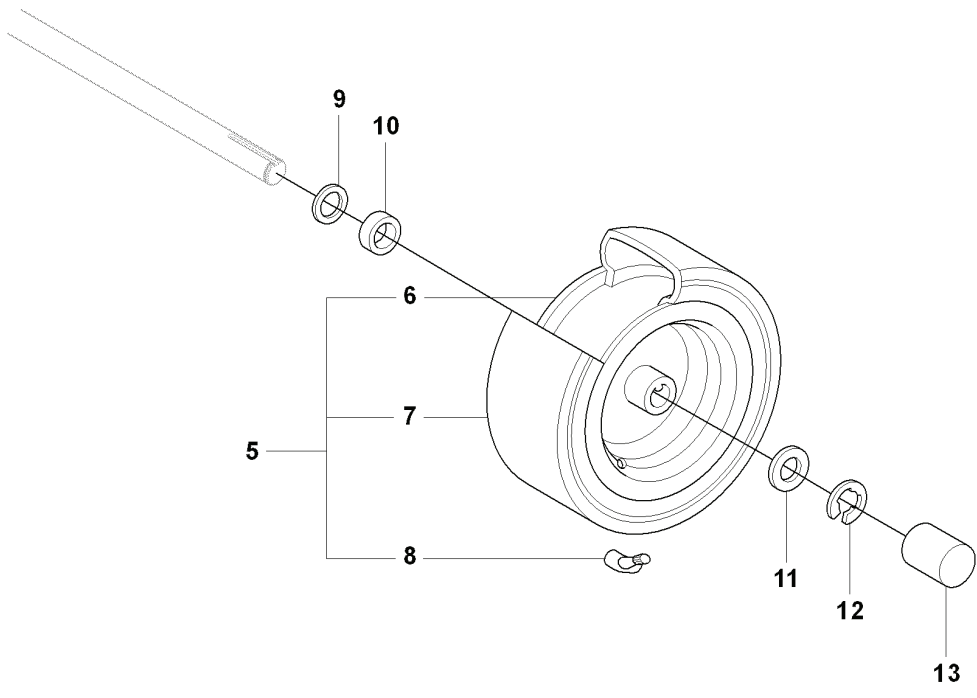
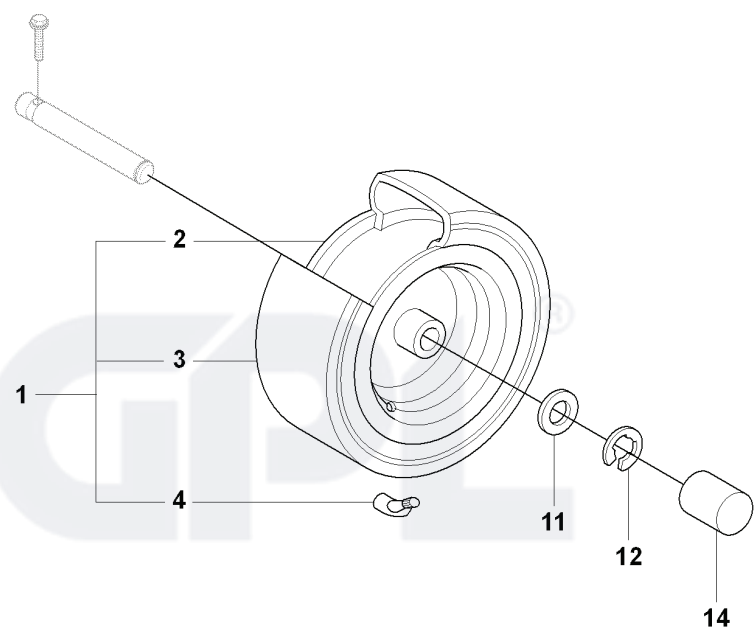
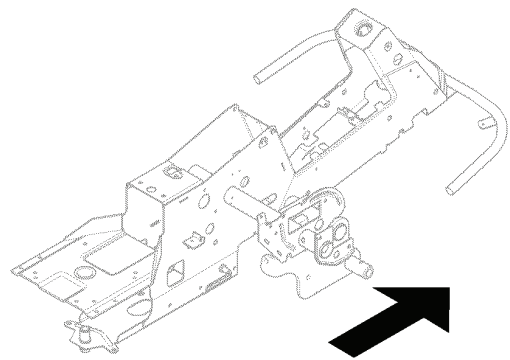


---

| REF. | PART NO.  | DESCRIPTION           | REMARK | QTY. | KIT |
|------|-----------|-----------------------|--------|------|-----|
| 1    | 506985804 | SPINDLE               |        | 1    |     |
| 2    | 738210504 | BALL BEARING          |        | 1    |     |
| 3    | 738211004 | BALL BEARING          |        | 1    |     |
| 4    | 735314010 | CIRCLIP               |        | 1    |     |
| 5    | 735312600 | CIRCLIP               |        | 1    |     |
| 6    | 506985901 | SWING AXLE            |        | 1    |     |
| 7    | 735312600 | CIRCLIP               |        | 2    |     |
| 8    | 506773401 | WASHER                |        | 2    |     |
| 9    | 740681421 | V-RING                |        | 1    |     |
| 10   | 535406002 | BRACKET               |        | 1    |     |
| 11   | 506986102 | GLIDLAGER             |        | 2    |     |
| 39   | 506575201 | WIRE HOLDER           |        | 1    |     |
| 40   | 725236651 | HEXAGONAL SCREW M6X12 |        | 2    |     |
| 41   | 506889901 | HITCH                 |        | 1    |     |
| 42   | 725249371 | SCREW EHHM            |        | 2    |     |

GPL®

**Q** FR2211 R  
WHEELS & TIRES

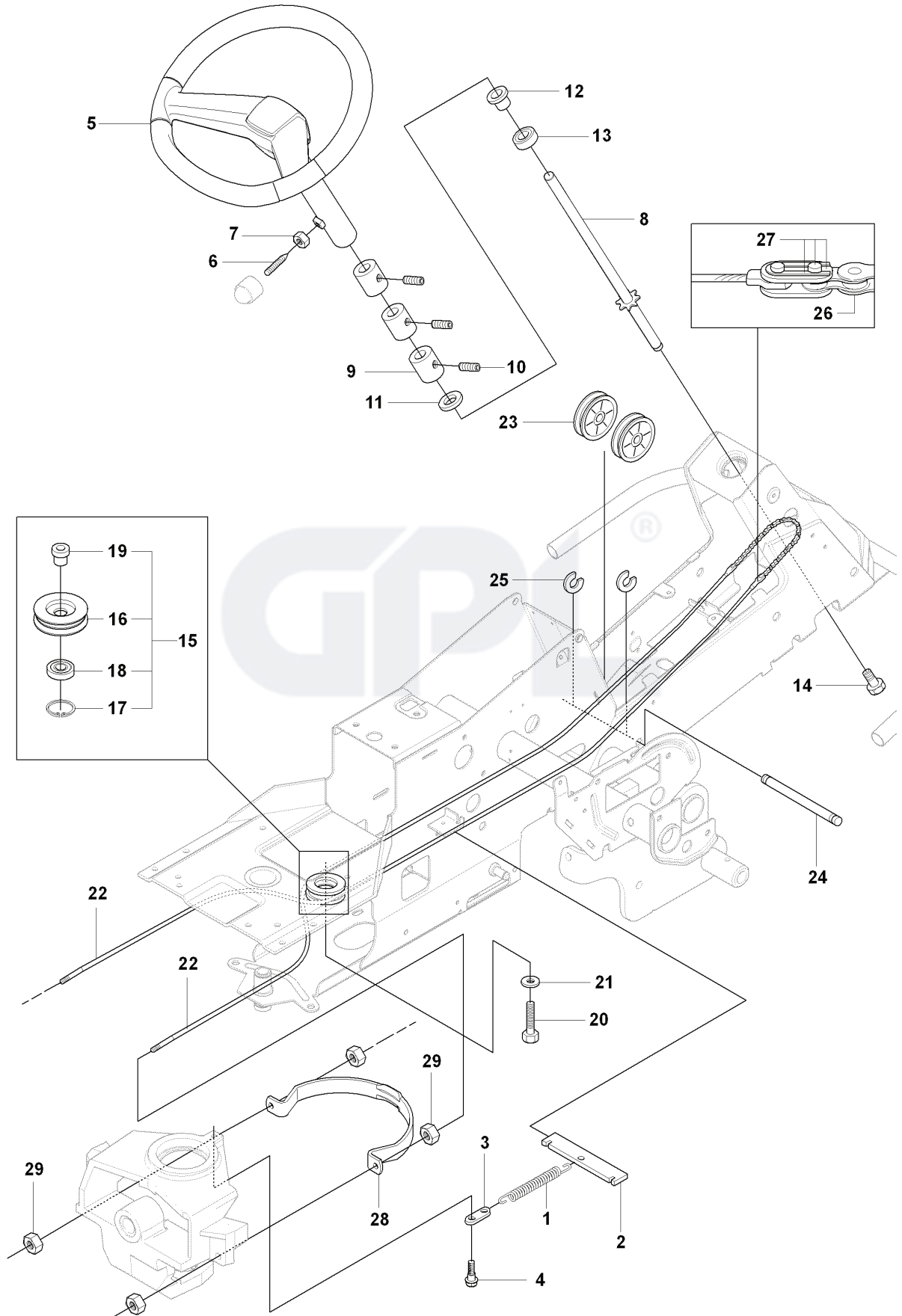


---

| REF. | PART NO.  | DESCRIPTION       | REMARK | QTY. | KIT |
|------|-----------|-------------------|--------|------|-----|
| 1    | 544126202 | WHEEL             |        | 2    |     |
| 2    | 544114301 | RIM               |        | 1    |     |
| 3    | 506980201 | TIRE              |        | 1    |     |
| 4    | 506574301 | VALVE ASSY        |        | 1    |     |
| 5    | 544126302 | WHEEL             |        | 2    |     |
| 6    | 544114201 | RIM               |        | 1    |     |
| 7    | 506980201 | TIRE              |        | 1    |     |
| 8    | 506574301 | VALVE ASSY        |        | 1    |     |
| 9    | 506504803 | WASHER            |        | 2    |     |
| 10   | 506596201 | SPACING SLEEVE    |        | 2    |     |
| 11   | 506504805 | WASHER            |        | 4    |     |
| 12   | 506899001 | E-CLIP            |        | 4    |     |
| 13   | 506923001 | RUND FOT UKB 30 S |        | 2    |     |
| 14   | 506955801 | CUP               |        | 2    |     |



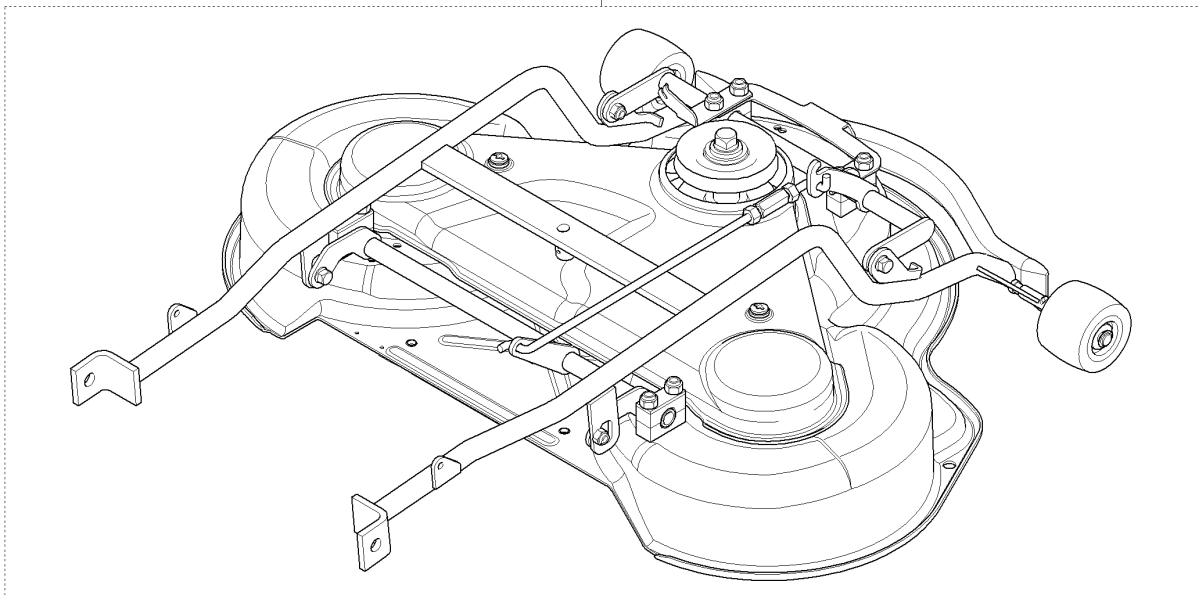
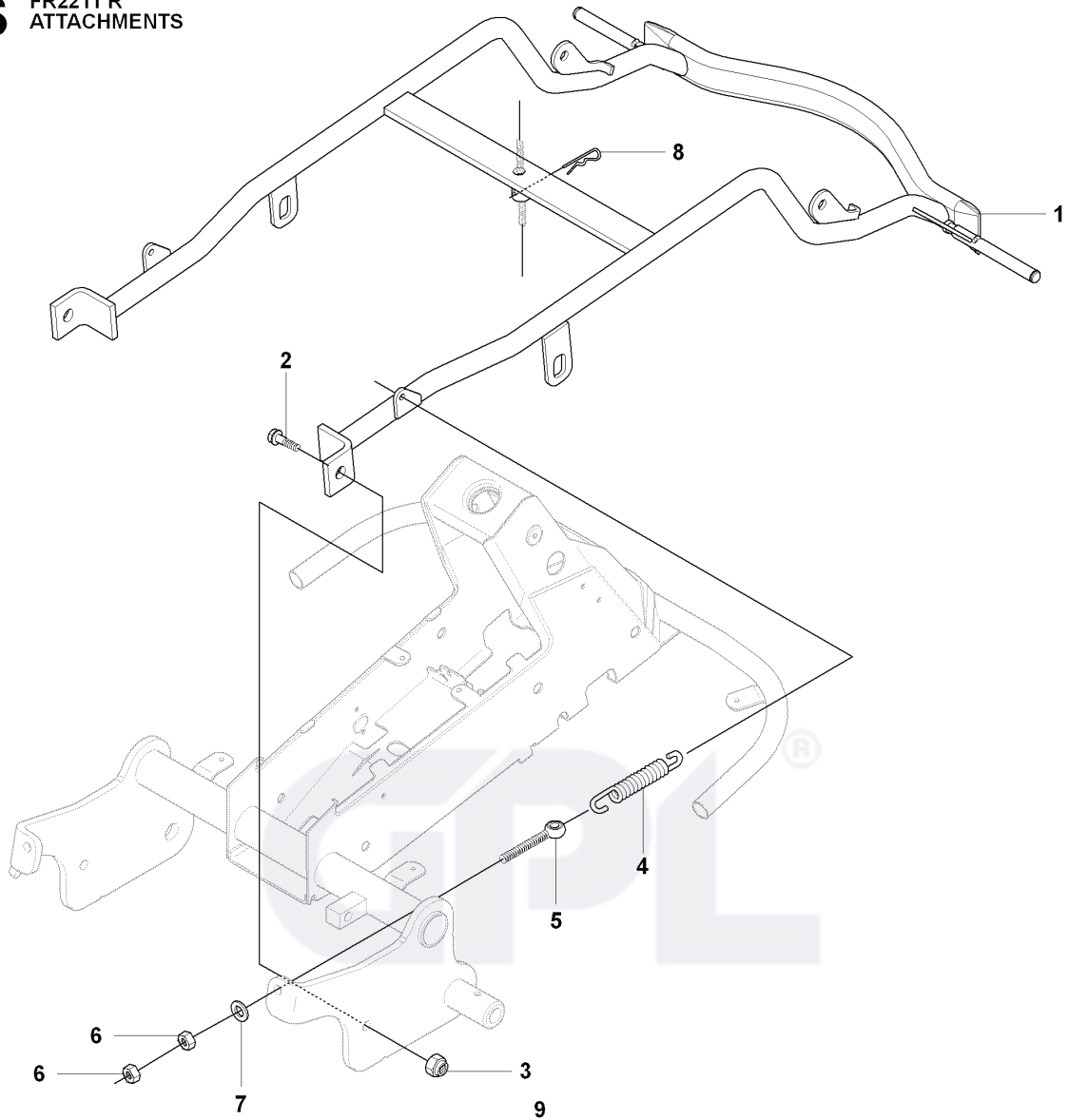
**K** FR2211 R  
STEERING



| REF. | PART NO.  | DESCRIPTION       | REMARK | QTY. | KIT |
|------|-----------|-------------------|--------|------|-----|
| 1    | 506671901 | SPRING            |        | 1    |     |
| 2    | 506576301 | SPRING RETAINER   |        | 1    |     |
| 3    | 506670801 | LINK              |        | 1    |     |
| 4    | 506597401 | SCREW EHHFM       |        | 1    |     |
| 5    | 544375203 | STEERING WHEEL    |        | 1    |     |
| 6    | 728745505 | SCREW IHSETM      |        | 1    |     |
| 7    | 731231801 | HEXAGON NUT       |        | 1    |     |
| 8    | 535499501 | ROD STEERING ASSY |        | 1    |     |
| 9    | 506863401 | DRIVER            |        | 3    |     |
| 10   | 728844305 | SCREW IHSETM      |        | 3    |     |
| 11   | 506863601 | WASHER            |        | 1    |     |
| 12   | 506887801 | SPACER            |        | 1    |     |
| 13   | 738210404 | BALL BEARING      |        | 1    |     |
| 14   | 506570104 | SCREW EHHFM       |        | 1    |     |
| 15   | 506500903 | BARRING WHEEL     |        | 1    |     |
| 16   | 535424101 | BARRING WHEEL     |        | 1    |     |
| 17   | 735314010 | CIRCLIP           |        | 1    |     |
| 18   | 738220419 | BALL BEARING      |        | 1    |     |
| 19   | 506500802 | BUSHING           |        | 1    |     |
| 20   | 506675403 | SCREW EHHFM       |        | 1    |     |
| 21   | 734117441 | WASHER            |        | 1    |     |
| 22   | 506589104 | WIRE ASSY         |        | 2    |     |
| 23   | 506522401 | STARTER PULLEY    |        | 2    |     |
| 24   | 506539402 | SHAFT             |        | 1    |     |
| 25   | 735311420 | E-CLIP            |        | 2    |     |
| 26   | 506554601 | CHAIN             |        | 1    |     |
| 27   | 506554701 | LINKAGE           |        | 2    |     |
| 28   | 544427301 | WIRE GUIDE        |        | 1    |     |
| 29   | 731232051 | HEXAGON NUT       |        | 4    |     |



**S** FR2211 R  
ATTACHMENTS



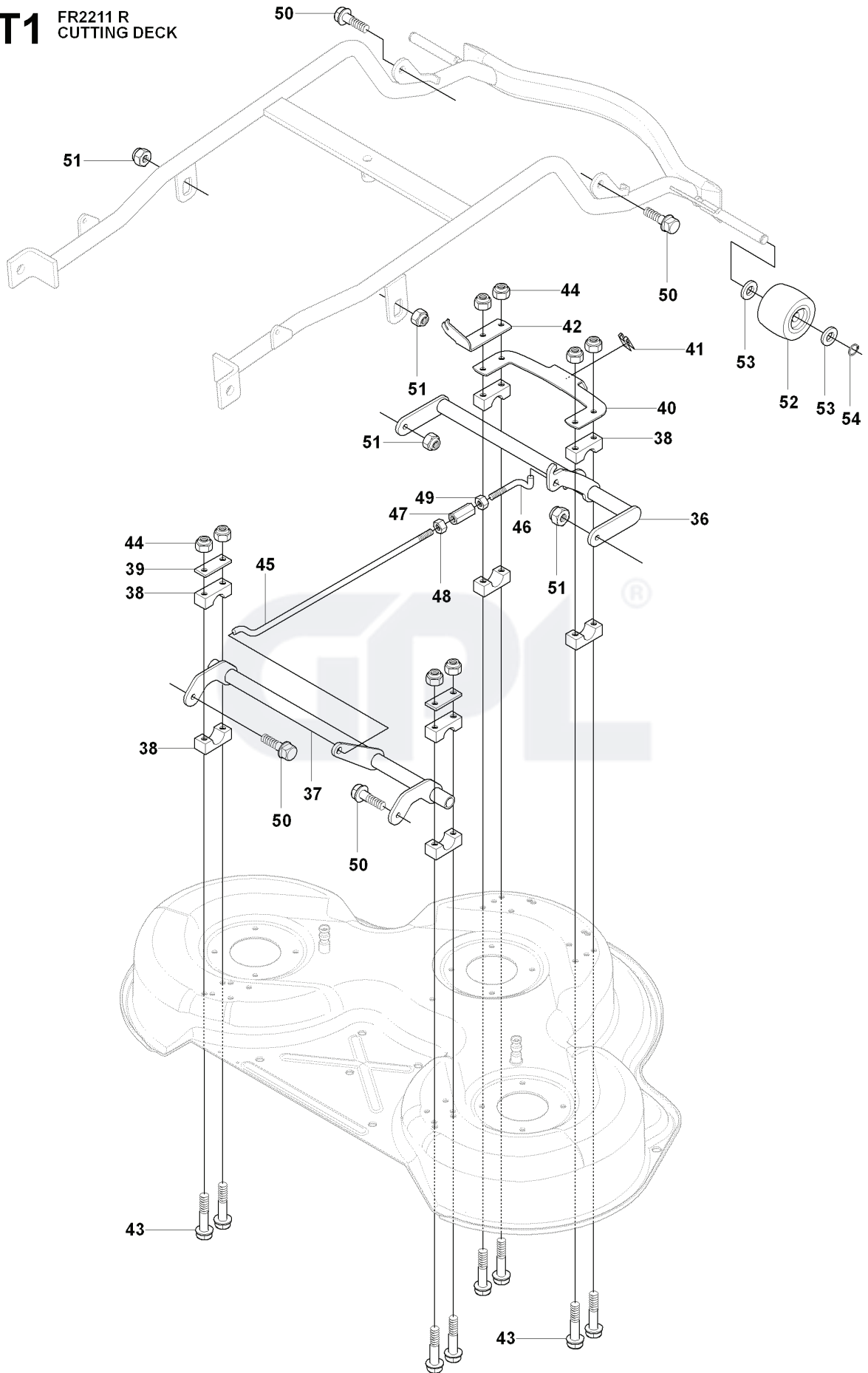
---

| REF. | PART NO.  | DESCRIPTION         | REMARK | QTY. | KIT |
|------|-----------|---------------------|--------|------|-----|
| 1    | 504794102 | EQUIPMENT FRAME     |        | 1    |     |
| 2    | 506895801 | COLLAR SCREW        |        | 2    |     |
| 3    | 732252201 | HEXAGON LOCKING NUT |        | 2    |     |
| 4    | 506671901 | SPRING              |        | 2    |     |
| 5    | 506837701 | RING BOLT           |        | 2    |     |
| 6    | 731232051 | HEXAGON NUT         |        | 4    |     |
| 7    | 734117201 | WASHER              |        | 2    |     |
| 8    | 506966601 | HAIR PIN COTTER     |        | 1    |     |
| 9    | 544437906 | CUTTING DECK        |        | 1    |     |

**GPL**®



**T1** FR2211 R  
CUTTING DECK

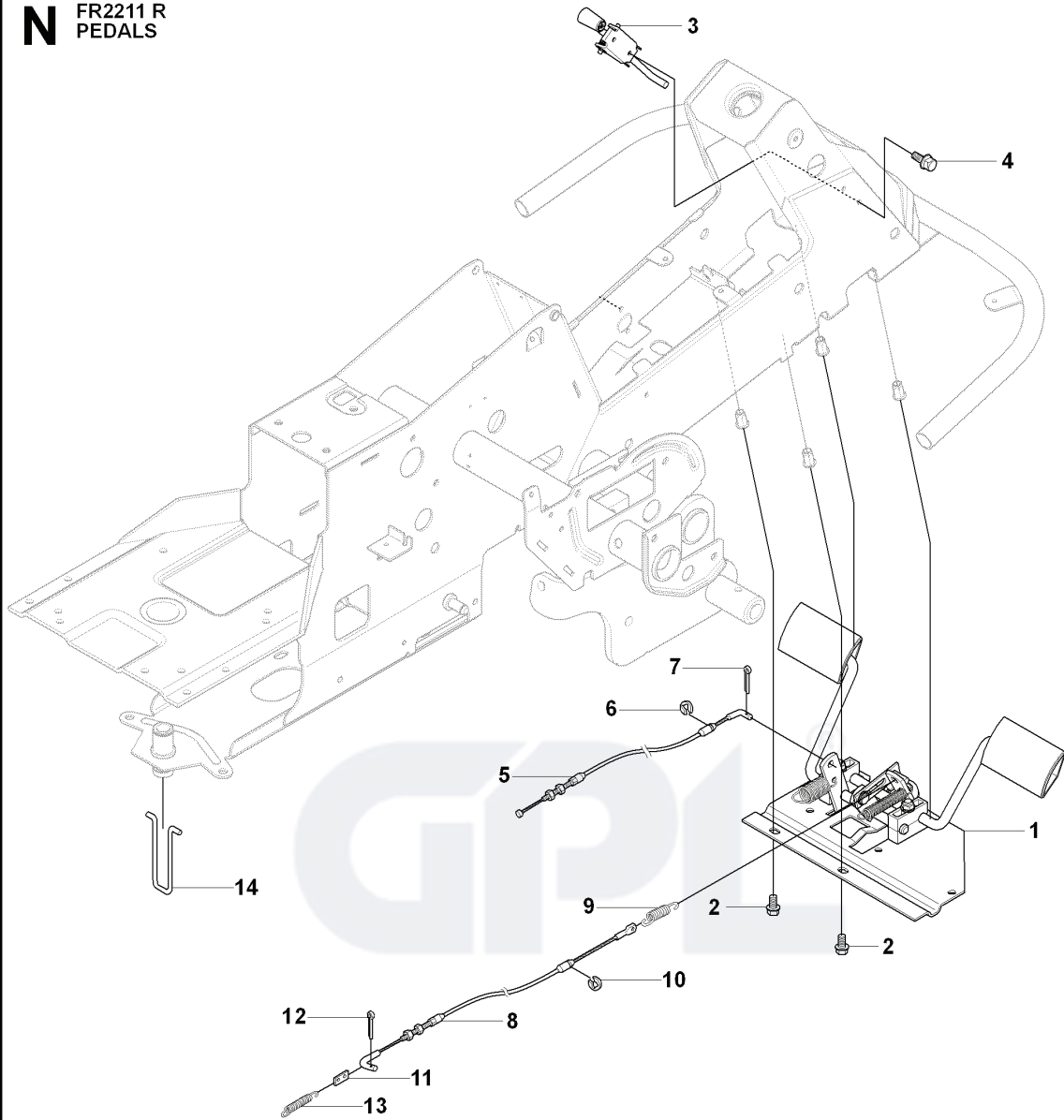


---

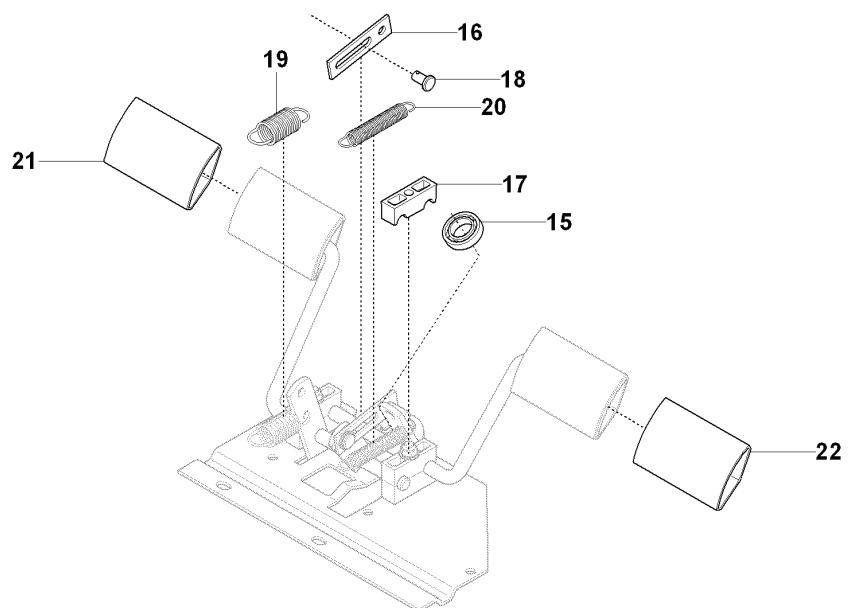
| REF. | PART NO.  | DESCRIPTION       | REMARK | QTY. | KIT |
|------|-----------|-------------------|--------|------|-----|
| 36   | 544220702 | CROSS BAR         |        | 1    |     |
| 37   | 544225902 | CROSS BAR         |        | 1    |     |
| 38   | 506869601 | BEARING           |        | 8    |     |
| 39   | 506813801 | REINFORCING PLATE |        | 2    |     |
| 40   | 544379101 | BRACKET           |        | 1    |     |
| 41   | 506963701 | LÅSDON            |        | 1    |     |
| 42   | 544228301 | BRACKET           |        | 1    |     |
| 43   | 725246151 | SCREW EHHM        |        | 8    |     |
| 44   | 732211801 | LOCK NUT          |        | 8    |     |
| 45   | 544226901 | PARALLEL ROD      |        | 1    |     |
| 46   | 544451401 | PARALLEL ROD      |        | 1    |     |
| 47   | 544451501 | ADJUSTMENT ROD    |        | 1    |     |
| 48   | 506897601 | NUT               |        | 1    |     |
| 49   | 731232051 | HEXAGON NUT       |        | 1    |     |
| 50   | 506597401 | SCREW EHHFM       |        | 4    |     |
| 51   | 732211801 | LOCK NUT          |        | 4    |     |
| 52   | 506963001 | WHEEL ASSY        |        | 2    |     |
| 53   | 535464101 | WASHER            |        | 4    |     |
| 54   | 735311700 | CIRCLIP           |        | 2    |     |



**N** FR2211 R  
PEDALS



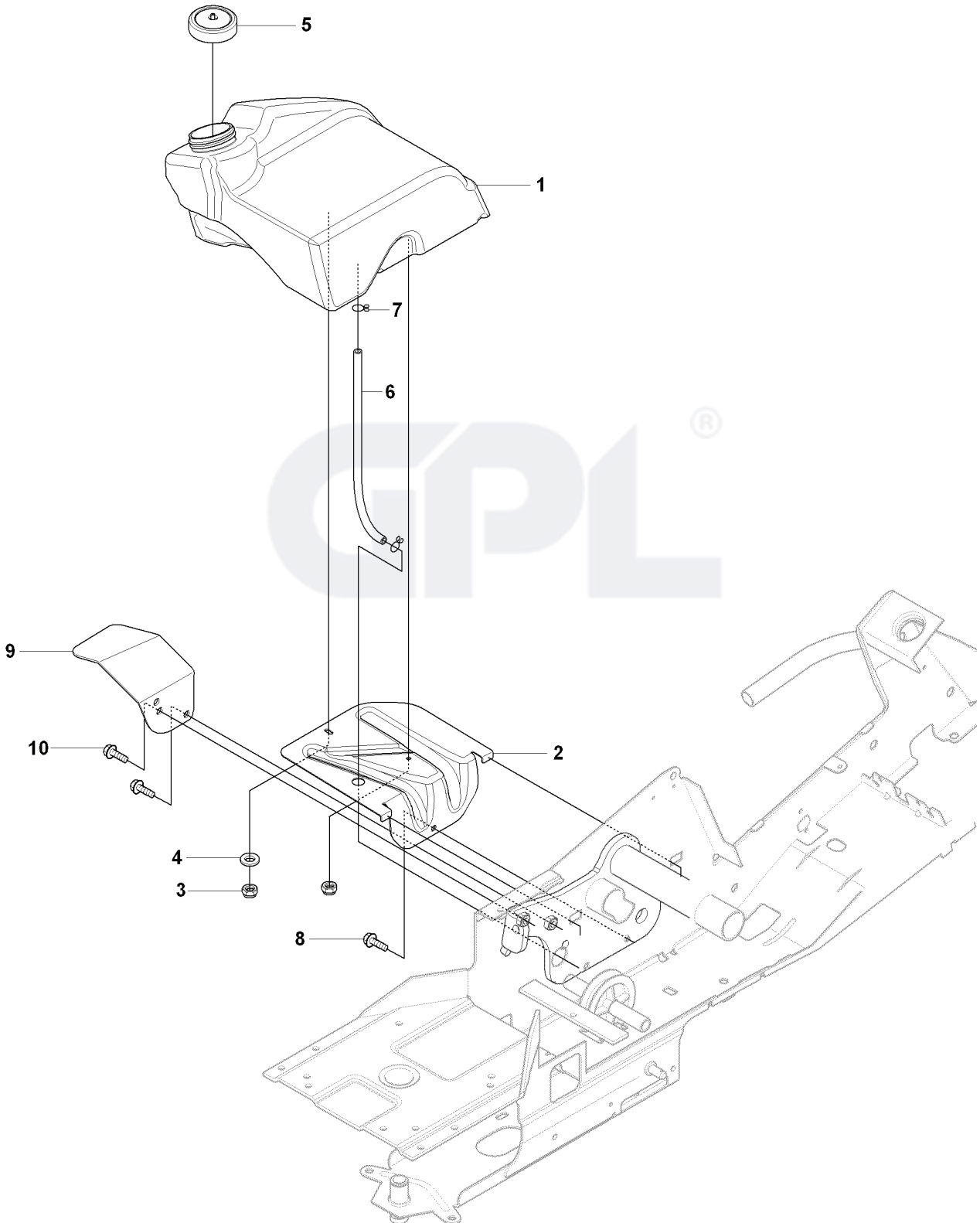
**PEDALS**



| REF. | PART NO.  | DESCRIPTION      | REMARK | QTY. | KIT |
|------|-----------|------------------|--------|------|-----|
| 1    | 544132301 | PEDAL PLATE ASSY |        | 1    |     |
| 2    | 506570104 | SCREW EHI-FM     |        | 4    |     |
| 3    | 544403101 | BRAKE LEVER ASSY |        | 1    |     |
| 4    | 725236461 | SCREW EHI-FT     |        | 2    |     |
| 5    | 506952501 | WIRE ASSY        |        | 1    |     |
| 6    | 735310920 | E-CLIP           |        | 1    |     |
| 7    | 721615201 | SPLIT PIN        |        | 1    |     |
| 8    | 506952601 | CABLE            |        | 1    |     |
| 9    | 506919101 | BRAKE SPRING     |        | 1    |     |
| 10   | 735310920 | E-CLIP           |        | 1    |     |
| 11   | 506599301 | LINK             |        | 1    |     |
| 12   | 721615201 | SPLIT PIN        |        | 1    |     |
| 13   | 506535603 | DRAW SPRING      |        | 1    |     |
| 14   | 506576401 | CABLE HOLDER     |        | 1    |     |
| 15   | 738210204 | BALL BEARING     |        | 1    |     |
| 16   | 544127901 | LINK             |        | 1    |     |
| 17   | 535480801 | BEARING SUPPORT  |        | 4    |     |
| 18   | 721839901 | CLEVIS PIN       |        | 1    |     |
| 19   | 544133401 | DRAW SPRING      |        | 1    |     |
| 20   | 544133601 | DRAW SPRING      |        | 1    |     |
| 21   | 535478802 | PEDAL            |        | 1    |     |
| 22   | 535478802 | PEDAL            |        | 1    |     |

GPL®

**B** FR2211 R  
FUEL SYSTEM

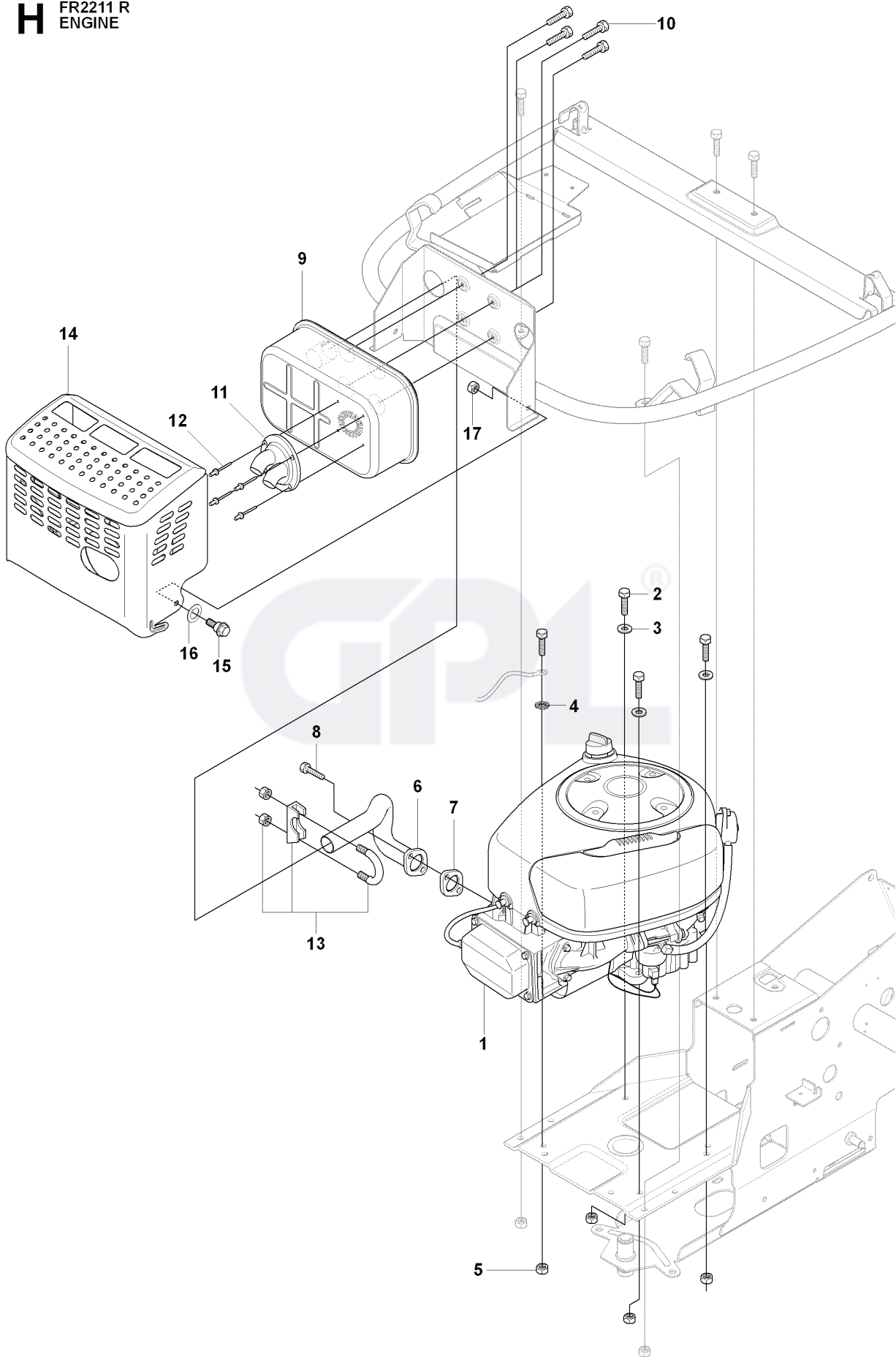


---

| REF. | PART NO.  | DESCRIPTION   | REMARK | QTY. | KIT |
|------|-----------|---------------|--------|------|-----|
| 1    | 504059901 | FUEL TANK     |        | 1    |     |
| 2    | 544329301 | BRACKET       |        | 1    |     |
| 3    | 732211601 | LOCK NUT      |        | 2    |     |
| 4    | 734115601 | WASHER        |        | 1    |     |
| 5    | 506673301 | TANK CAP ASSY |        | 1    |     |
| 6    | 506946707 | FUEL HOSE     |        | 1    |     |
| 7    | 535469701 | HOSE BRACE    |        | 2    |     |
| 8    | 725236461 | SCREW EHHFT   |        | 1    |     |
| 9    | 504556601 | SUPPORT       |        | 1    |     |
| 10   | 725249371 | SCREW EHHM    |        | 2    |     |

GPL®

**H** FR2211 R  
ENGINE



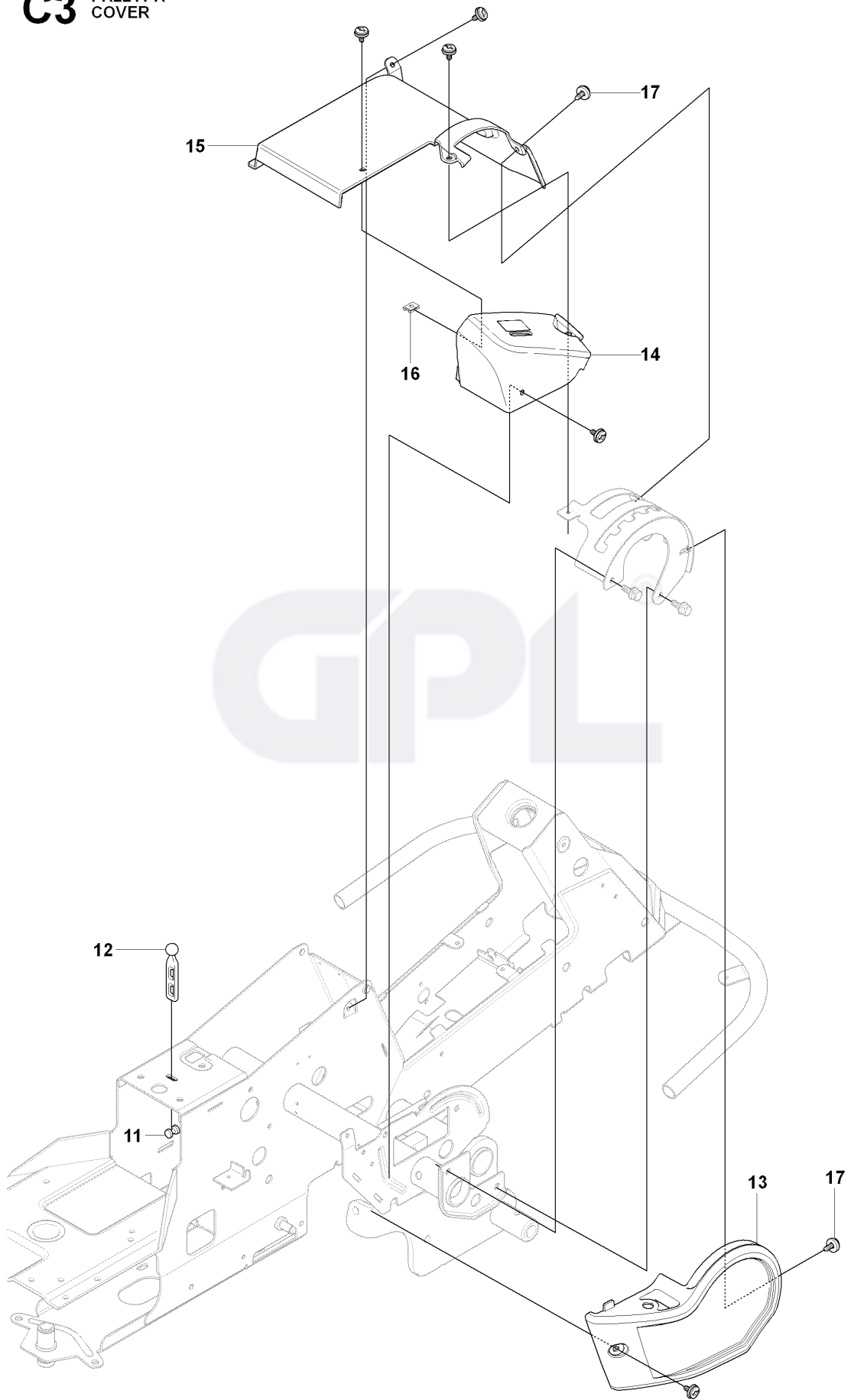
---

| REF. | PART NO.  | DESCRIPTION       | REMARK | QTY. | KIT |
|------|-----------|-------------------|--------|------|-----|
| 1    | 535440701 | MOTOR             |        | 1    |     |
| 2    | 725245751 | SCREW             |        | 4    |     |
| 3    | 734116401 | WASHER            |        | 3    |     |
| 4    | 735216400 | LOCKWASHER        |        | 1    |     |
| 5    | 732211801 | LOCK NUT          |        | 4    |     |
| 6    | 535485201 | EXHAUST PIPE ASSY |        | 1    |     |
| 7    | 506914501 | GASKET            |        | 1    |     |
| 8    | 506556301 | SCREW UNC         |        | 2    |     |
| 9    | 535400801 | MUFFLER ASSY      |        | 1    |     |
| 10   | 725236861 | SCREW EHHFT       |        | 4    |     |
| 11   | 506827901 | DEFLECTOR         |        | 1    |     |
| 12   | 722792309 | RIVET             |        | 4    |     |
| 13   | 506668401 | CLAMP ASSY        |        | 1    |     |
| 14   | 535416201 | HEAT PROTECTOR    |        | 1    |     |
| 15   | 506597401 | SCREW EHHFM       |        | 2    |     |
| 16   | 506839401 | SPRING WASHER     |        | 2    |     |
| 17   | 732211801 | LOCK NUT          |        | 2    |     |





**C3** FR2211 R  
COVER

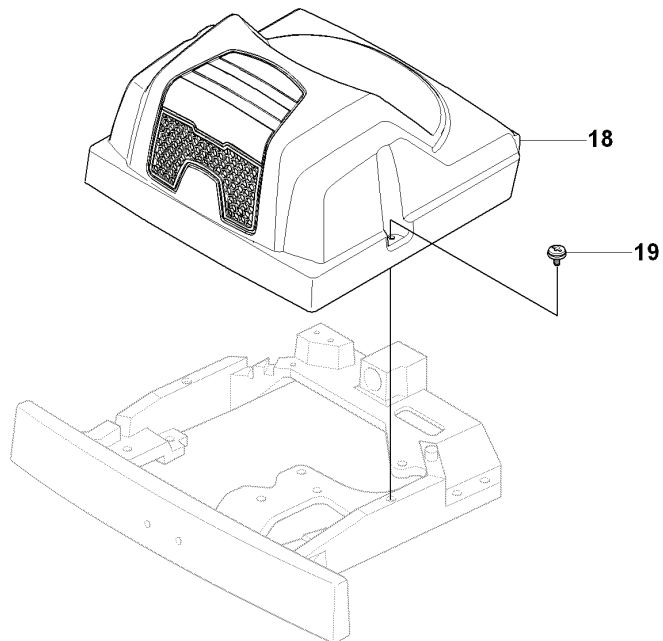
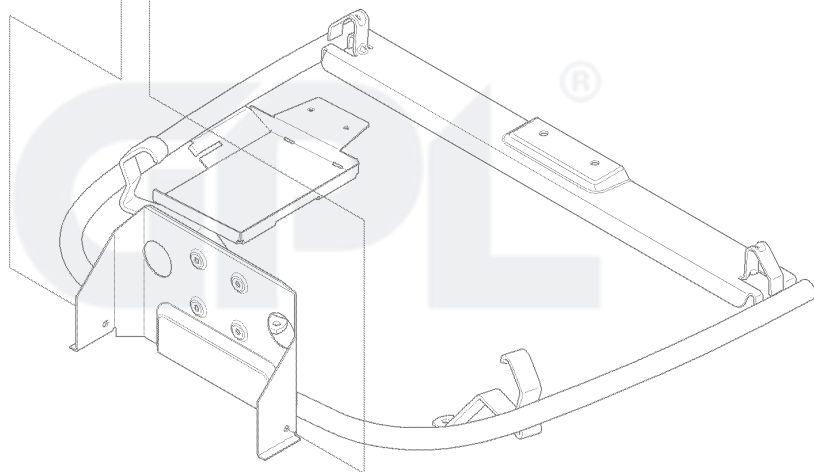
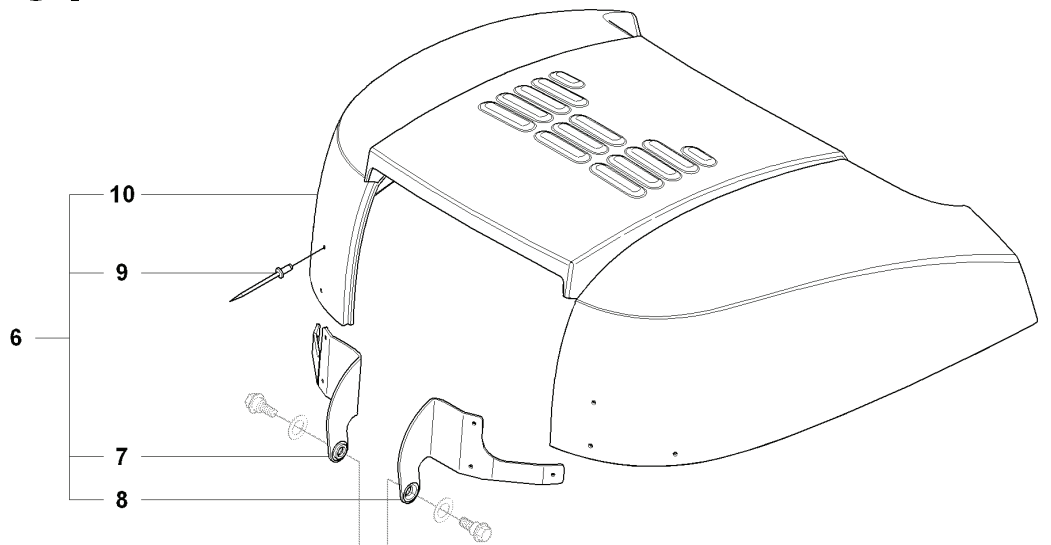


---

| REF. | PART NO.  | DESCRIPTION   | REMARK | QTY. | KIT |
|------|-----------|---------------|--------|------|-----|
| 13   | 504059501 | CONTROL COVER |        | 1    |     |
| 14   | 504059702 | CONTROL COVER |        | 1    |     |
| 15   | 504059801 | COVER         |        | 1    |     |
| 16   | 535429101 | SPRING NUT    |        | 1    |     |
| 17   | 544400501 | SCREW         |        | 7    |     |
| 11   | 506599501 | BUTTON        |        | 1    |     |
| 12   | 506599601 | GUMMISTROPP   |        | 1    |     |

GPL®

**C1** FR2211 R  
COVER

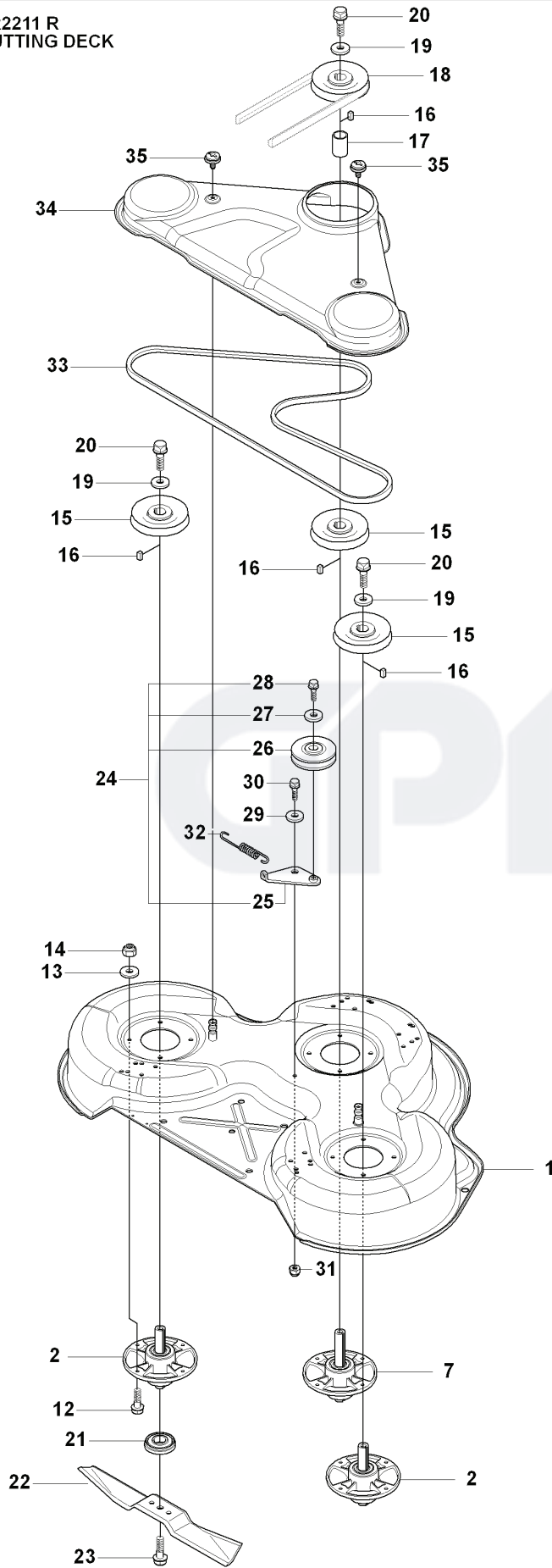


---

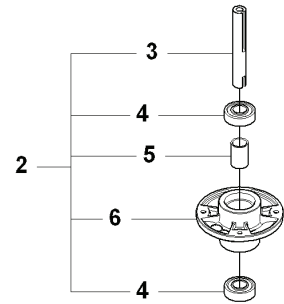
| REF. | PART NO.  | DESCRIPTION      | REMARK | QTY. | KIT |
|------|-----------|------------------|--------|------|-----|
| 6    | 535419002 | ENGINE HOOD ASSY |        | 1    |     |
| 7    | 535419901 | HINGE            |        | 1    |     |
| 8    | 535419902 | HINGE            |        | 1    |     |
| 9    | 722795402 | RIVET            |        | 6    |     |
| 10   | 535417902 | ENGINE HOOD      |        | 1    |     |
| 18   | 544373902 | COVER            |        | 1    |     |
| 19   | 544400501 | SCREW            |        | 2    |     |



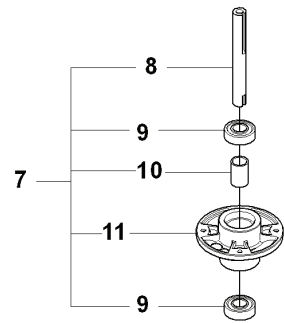
**T2** FR2211 R  
CUTTING DECK



Yttre.  
Outer.  
Exterieur.  
Äusser.  
Ulko.



Mitten.  
Centre.  
Centre.  
Zentrum.  
Keski.



| REF. | PART NO.  | DESCRIPTION          | REMARK | QTY. | KIT |
|------|-----------|----------------------|--------|------|-----|
| 1    | 544065507 | DECK SHELL ASSY      |        | 1    |     |
| 2    | 544065901 | BLADE HOUSING ASSY   |        | 2    |     |
| 3    | 544067902 | SHAFT                |        | 1    |     |
| 4    | 738230434 | BALL BEARING         |        | 2    |     |
| 5    | 544068001 | SPACING SLEEVE       |        | 1    |     |
| 6    | 544067801 | BEARING HOUSING      |        | 1    |     |
| 7    | 544065903 | BLADE HOUSING ASSY   |        | 1    |     |
| 8    | 544067903 | SHAFT                |        | 1    |     |
| 9    | 738230434 | BALL BEARING         |        | 2    |     |
| 10   | 544068001 | SPACING SLEEVE       |        | 1    |     |
| 11   | 544067801 | BEARING HOUSING      |        | 1    |     |
| 12   | 535423801 | SCREW RSQM           |        | 12   |     |
| 13   | 734116401 | WASHER               |        | 12   |     |
| 14   | 732211801 | LOCK NUT             |        | 12   |     |
| 15   | 506922101 | PULLEY               |        | 3    |     |
| 16   | 506533501 | PARALLEL KEY         |        | 4    |     |
| 17   | 544068003 | SPACING SLEEVE       |        | 1    |     |
| 18   | 506778601 | PULLEY               |        | 1    |     |
| 19   | 734117441 | WASHER               |        | 3    |     |
| 20   | 506675402 | SCREW EHHFM          |        | 3    |     |
| 21   | 544064901 | BLADE HOLDER         |        | 3    |     |
| 22   | 505463510 | BLADE                |        | 3    |     |
| 23   | 506675402 | SCREW EHHFM          |        | 3    |     |
| 24   | 506797301 | BELT TENSIONER ASSY  |        | 1    |     |
| 25   | 506797101 | SPÄNNARM KPL.        |        | 1    |     |
| 26   | 506793201 | BELT TENSIONER WHEEL |        | 1    |     |
| 27   | 734116441 | WASHER               |        | 1    |     |
| 28   | 506558302 | SCREW EHHFT          |        | 1    |     |
| 29   | 506918702 | WASHER               |        | 1    |     |
| 30   | 725245171 | SCREW EHHM           |        | 1    |     |
| 31   | 732211801 | LOCK NUT             |        | 1    |     |
| 32   | 506533101 | SPRING               |        | 1    |     |
| 33   | 589530701 | BELT                 |        | 1    |     |
| 35   | 544400501 | SCREW                |        | 2    |     |
| 55   | 506789701 | LABEL                |        | 1    |     |
| 34   | 522821902 | BELT COVER           |        | 1    |     |

