

GTH2550 XP A, 954567116, 2001-01

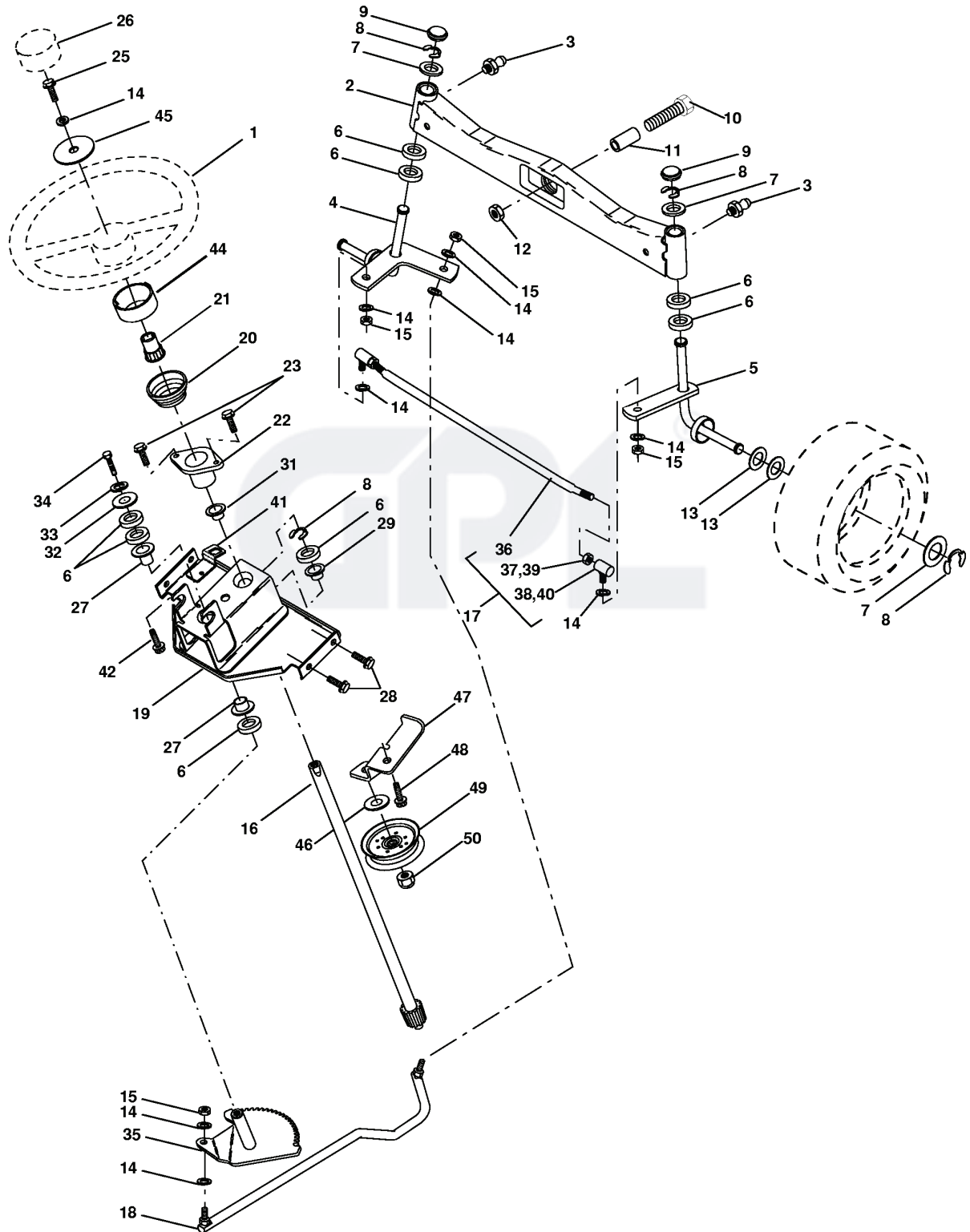


SPARE PARTS LIST

REPAIR PARTS

TRACTOR - - MODEL NO. GTH2550XPA

STEERING ASSEMBLY

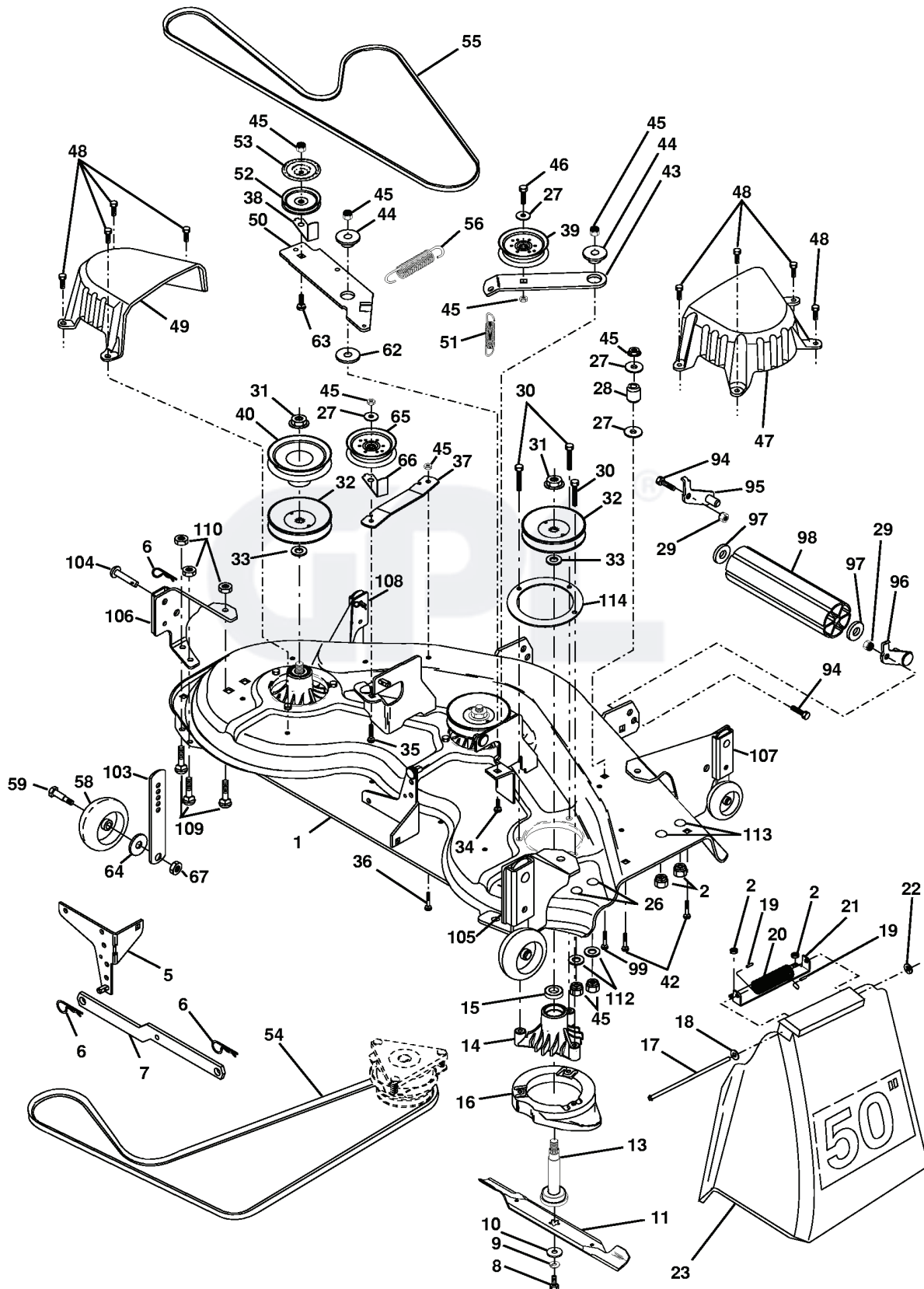


REF.	PART NO.	DESCRIPTION	REMARK	QTY.	KIT
1	532166627	STEERING WHEEL		1	
2	532137094	SHAFT		1	
3	532124836	NIPPLE		1	
4	532161849	SPINDLE ASM. LH		1	
5	532161848	SPINDLE ASM. RH		1	
6	532124931	WASHER		1	
7	532121748	WASHER		1	
8	812000029	RETAINER RING		1	
9	532121232	HUB CAP		1	
10	874781044	SCREW		1	
11	532136518	PIPE		1	
12	873901000	NUT		1	
13	532121749	WASHER		1	
14	810040600	WASHER		1	
15	532124701	NUT		1	
16	532145103	ROD		1	
18	532137155	LINK		1	
19	532156011	SUPPORT		1	
20	532177592	SOUFFLET*RPLPAR 532163888		1	
21	532159945	ADAPTER		1	
22	532155105	BUSHING		1	
23	532152927	SCREW		1	
25	874780616	BOLT		1	
26	532166626	INSERT		1	
27	532124937	BEARING COL. STRG.		1	
28	817000612	SCREW		1	
29	532104239	BEARING		1	
31	532138136	BUSHING		1	
32	819111610	WASHER		1	
33	810040500	WASHER		1	
34	874780512	SCREW		1	
35	532138059	GEAR		1	
37	873360600	NUT		1	
38	532109850	JOINT		1	
39	873700600	NUT		1	
40	532109851	JOINT		1	
41	532155246	BRACKET		1	
42	817490508	SCREW		1	
44	532177593	RALLONGE*RPLPAR 532160135		1	
45	819132411	WASHER		1	
46	819131410	WASHER		1	
47	532177863	SUPPORT DE POULIE		1	
48	817060612	SCREW		1	
49	532131494	PULLEY		1	
50	873900600	NUT		1	

REPAIR PARTS

TRACTOR - - MODEL NO. GTH2550XPA

MOWER DECK

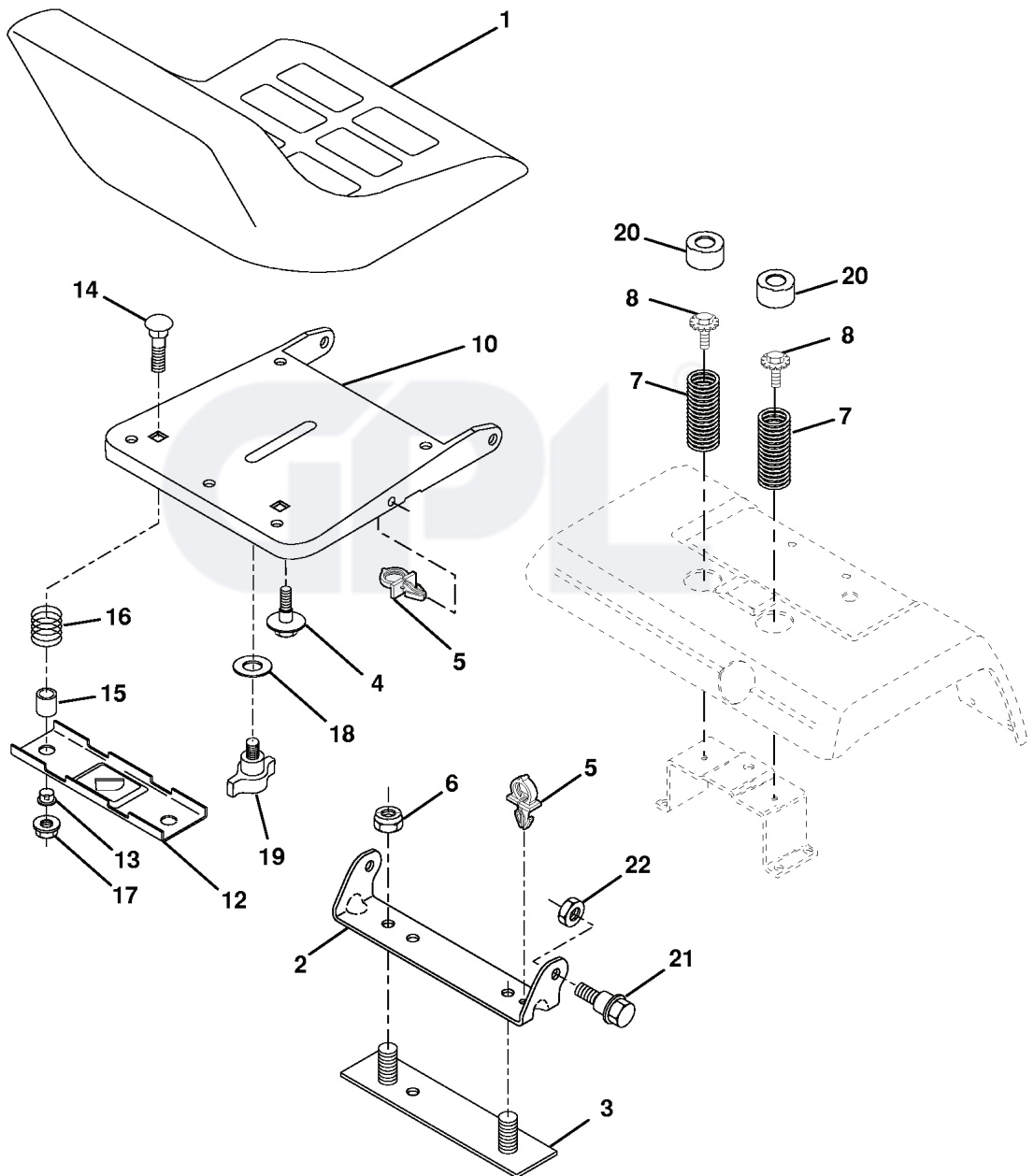


REF.	PART NO.	DESCRIPTION	REMARK	QTY.	KIT
2	873680500	NUT		1	
5	532138457	BRACKET		1	
6	532124670	RETAINER RING		1	
7	532130832	LEVER		1	
8	532850857	BOLT		1	
9	810030600	WASHER		1	
10	532140296	WASHER		1	
11	532137380	RIDE ON BLADE		1	
13	532137553	SHAFT		1	
14	532137152	BEARING HOUSING		1	
15	532110485	BEARING		1	
16	532174493	STRIPPER, MANDREL BLACK		1	
17	532106735	ROD		1	
18	819111016	WASHER		1	
19	532105304	HUB CAP		1	
20	532123713	SPRING		1	
21	532137607	BRACKET		1	
22	532110452	NUT		1	
26	872110606	BOLT		1	
27	819131316	WASHER		1	
28	532132823	IDLER SPACER		1	
29	873800600	NUT		1	
30	532157722	SCREW		1	
31	532137266	NUT		1	
32	532153535	PULLEY		1	
33	532129963	WASHER		1	
34	872140610	BOLT		1	
35	872110616	BOLT		1	
36	872110608	BOLT		1	
37	532137166	RAIDISSEUR DE BRAS 137166		1	
38	532156085	BELT GUIDE		1	
39	532131494	PULLEY		1	
40	532136572	PULLEY		1	
42	872140506	BOLT		1	
43	532136460	SUPPORT DE POULIE SECONDAIRE		1	
44	532165723	SPACER		1	
45	873680600	NUT		1	
46	874760628	BOLT		1	
47	532137200	COVER		1	
48	532137729	SCREW		1	
49	532136574	COVER		1	
50	532137272	SUPPORT DE POULIE PRIMAIRE		1	
51	532137273	SPRING		1	
52	532139245	PULLEY		1	
53	532137789	SHIELD		1	
54	532139573	V-BELT		1	
55	532144959	BELT		1	
56	532138687	SPRING		1	
58	532133957	WHEEL		1	
59	532137644	SCREW		1	
62	532133943	WASHER		1	
63	872110612	BOLT		1	
64	819121414	WASHER		1	
67	873930600	NUT		1	
94	874760616	BOLT		1	
95	532132274	BRACKET		1	
96	532132273	BRACKET		1	
97	819171416	WASHER		1	
98	532132264	ROLLER		1	
99	872110614	BOLT		1	
103	532155986	BAR		1	
104	532156941	PIN RETAINING SCREW		1	
112	819171216	WASHER		1	
113	872110504	BOLT		1	
--	532143651	MANDREL		1	

REPAIR PARTS

TRACTOR - - MODEL NO. GTH2550XPA

SEAT ASSEMBLY



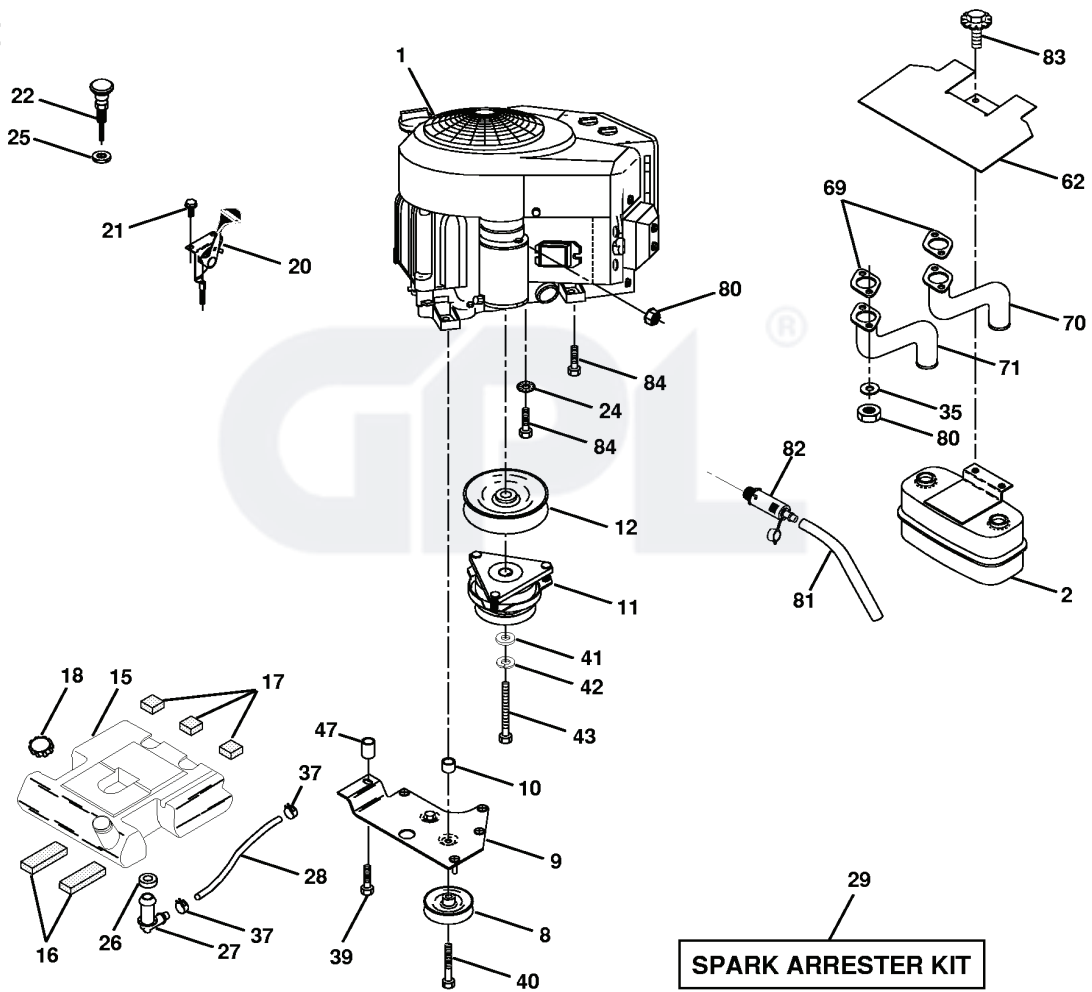
REF.	PART NO.	DESCRIPTION	REMARK	QTY.	KIT
1	532141525	SEAT		1	
2	532140551	BRACKET		1	
3	532140675	STRAP		1	
4	532127018	BOLT		1	
5	532145006	CLIP		1	
6	873800600	NUT		1	
7	532124181	SPRING		1	
8	532171877	BOLT		1	
10	532174894	PAN		1	
12	532121246	BRACKET		1	
13	532121248	BUSHING		1	
14	872050412	BOLT		1	
15	532121249	SPACER		1	
16	532123740	SPRING		1	
17	532123976	LOCKNUT		1	
18	819171912	WASHER		1	
19	532166369	WING NUT		1	
20	532124238	HUB CAP		1	
21	532171852	BOLT		1	
22	873800500	LOCK NUT		1	

GPL®

REPAIR PARTS

TRACTOR - - MODEL NO. GTH2550XPA

ENGINE



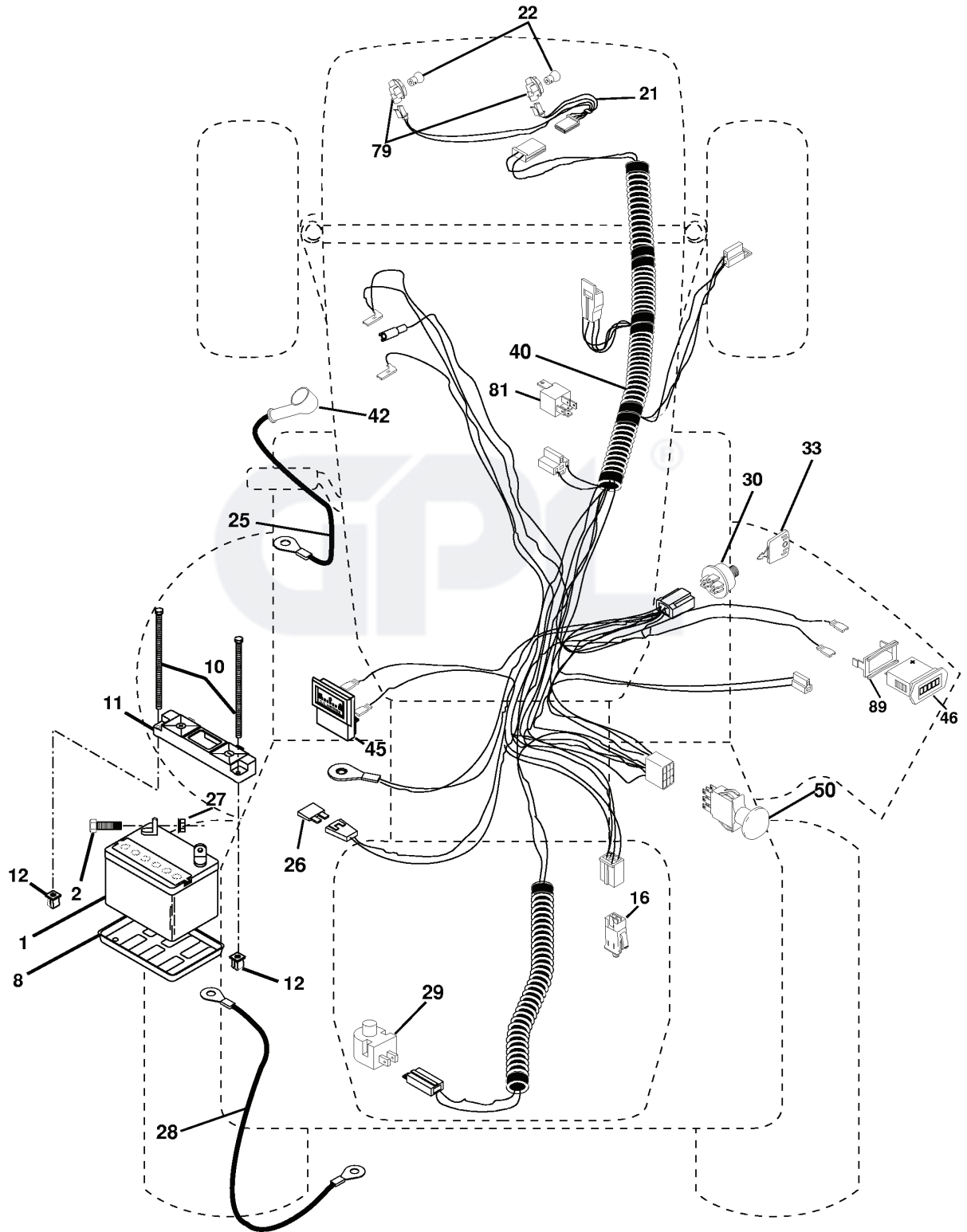
REF.	PART NO.	DESCRIPTION	REMARK	QTY.	KIT
2	532149723	MUFFLER		1	
8	532121361	PULLEY		1	
9	532177748	SUPPORT POULIE COURROIE TRACT.		1	
10	532175287	ENTRETOISE		1	
12	532143996	PULLEY		1	
15	532151346	TANK UNIT		1	
16	532109227	PAD		1	
17	532106082	SPACER		1	
18	532161493	PLUG		1	
20	532178147	CONTROL THROTTLE		1	
21	532164863	SCREW		1	
22	532178148	CHOKE CONTROL		1	
24	811050600	WASHER		1	
25	873920600	NUT		1	
26	532003645	BUSHING		1	
27	532139277	NIPPLE		1	
28	532007834	SUPPORT		1	
29	532137180	SPARK ARRESTER KIT		1	
35	810010500	WASHER		1	
37	532123487	HOSE CLAMP		1	
39	817490636	SCREW		1	
40	817490664	SCREW		1	
41	532126197	WASHER		1	
42	810040700	WASHER		1	
43	532173937	BOLT		1	
47	532175288	ENTRETOISE		1	
62	532176252	PLATE		1	
69	532178151	MUFFLER GASKET		1	
70	532175766	TUBULURE D'ECHAPPEMENT GAUCHE		1	
71	532175767	TUBULURE D'ECHAPPEMENT DROITE		1	
80	532163305	NUT FLANGE M8-1.25 NON-		1	
81	532148456	TUBE		1	
83	532171877	BOLT		1	
84	817060624	SCREW		1	

GPL®

REPAIR PARTS

TRACTOR - - MODEL NO. GTH2550XPA

ELECTRICAL



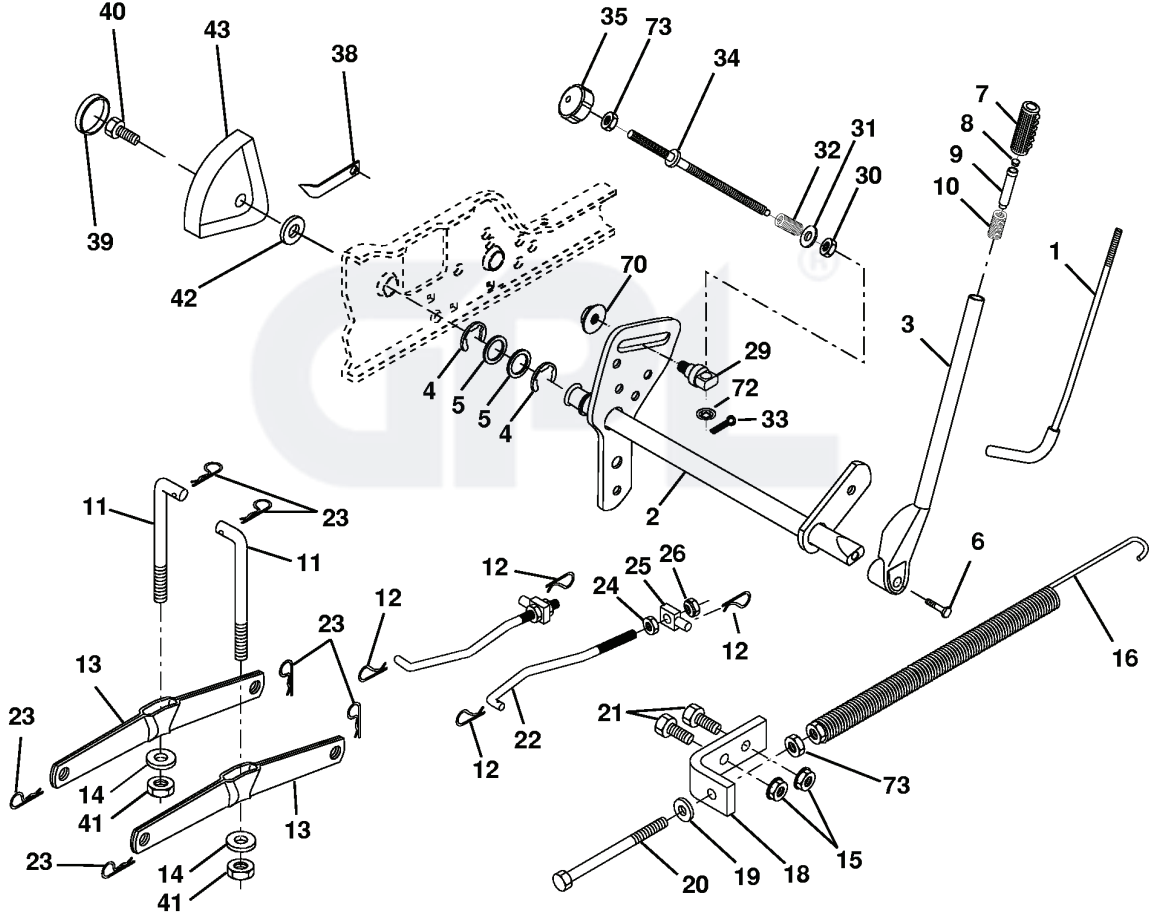
REF.	PART NO.	DESCRIPTION	REMARK	QTY.	KIT
1	532144927	BATTERY		1	
2	874760412	BOLT		1	
8	532124886	BATTERIE TRAY		1	
10	532145211	BOLT		1	
11	532150109	HOLDER		1	
12	532145769	NUT		1	
16	532153664	SWITCH		1	
21	532166184	HARNES		1	
22	532004152	BULB		1	
25	532177662	CABLE		1	
26	532108824	FUSE		1	
27	873510400	NUT		1	
28	532170697	CABLE		1	
29	532160784	SWITCH		1	
30	532175566	SWITCH		1	
33	532140401	KEY		1	
40	532170238	FAISCEAU ELECTRIC GENERAL		1	
42	532154336	COVER		1	
45	532122822	METER		1	
46	532169635	HOURMETER		1	
50	532174651	SWITCH		1	
79	532163996	HOLDER		1	
81	532109748	RELAY		1	
89	532169639	BRACKET		1	



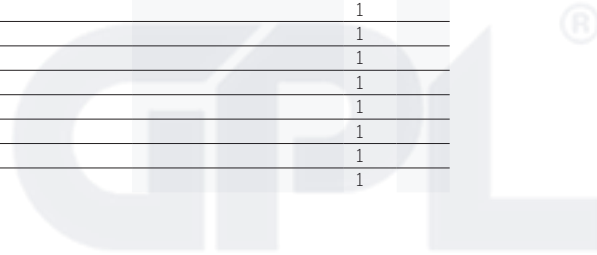
REPAIR PARTS

TRACTOR - - MODEL NO. GTH2550XPA

LIFT ASSEMBLY



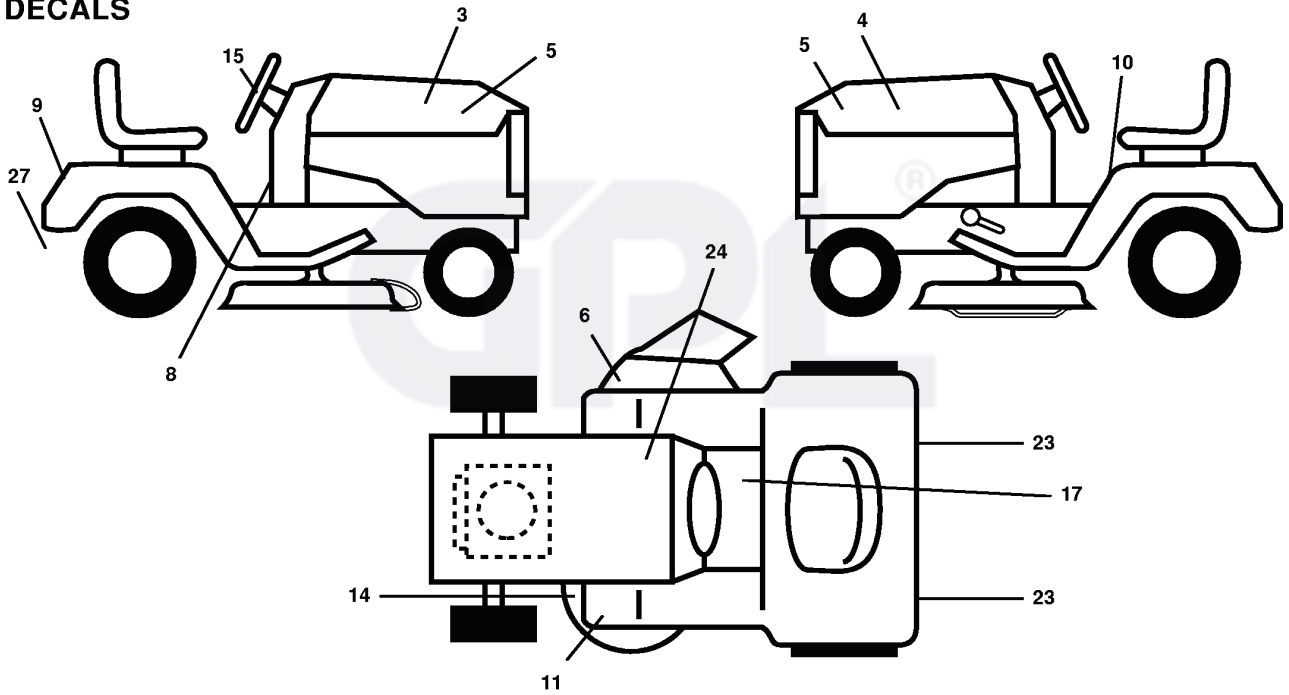
REF.	PART NO.	DESCRIPTION	REMARK	QTY.	KIT
1	532121006	ROD		1	
3	532159189	ARM		1	
4	812000022	RETAINER RING		1	
5	819292016	WASHER		1	
6	871110624	BOLT		1	
7	532125631	HANDLE		1	
8	532124526	KNOB		1	
9	532122364	PLUNGER.		1	
10	532124874	SPRING		1	
11	532146704	LIFT LINK		1	
12	532163552	CLIP		1	
13	532139868	LEVER		1	
14	532169865	BEARING		1	
15	873680600	NUT		1	
16	532124687	SPRING		1	
18	532143363	SPRING		1	
19	819131316	WASHER		1	
20	532005328	BOLT		1	
21	874760616	BOLT		1	
22	532127218	LINK		1	
23	532124670	RETAINER RING		1	
24	873350800	NUT		1	
25	532130171	BRACKET		1	
26	873800800	NUT		1	
29	532150233	TRUNNION		1	
30	532110807	NUT		1	
31	819131016	WASHER		1	
32	532137150	SPRING		1	
33	876020308	SPLIT PIN		1	
34	532137167	ROD		1	
35	532138057	KNOB		1	
38	532155097	INDICATOR		1	
39	532123935	PLUG		1	
40	817060516	SCREW		1	
41	873540600	NUT		1	
42	819112410	WASHER		1	
43	532123934	INDICATOR		1	
70	532145212	NUT		1	
72	532110452	NUT		1	
73	873350600	NUT		1	



REPAIR PARTS

TRACTOR - - MODEL NO. GTH2550XPA

DECALS



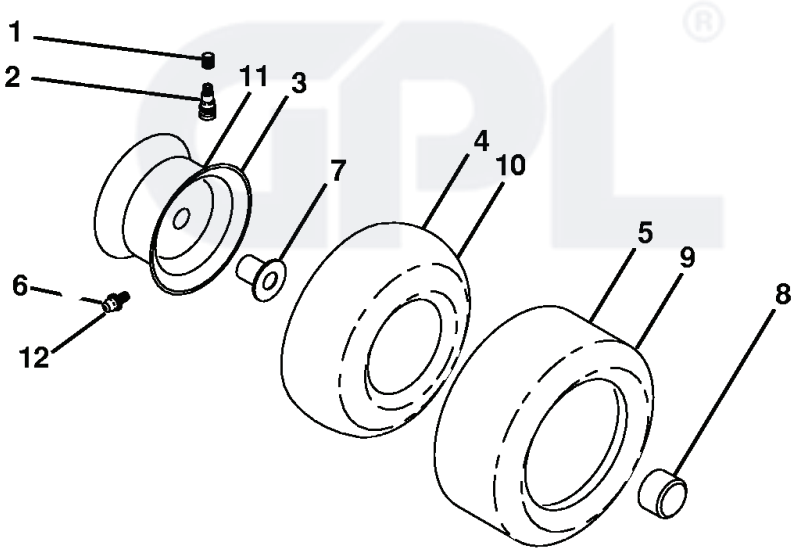
REF.	PART NO.	DESCRIPTION	REMARK	QTY.	KIT
5	532176871	DECAL		1	
6	532170563	DECALC.'DANGER'		1	
8	532176864	DECAL		1	
9	532176822	DECAL		1	
10	532157140	DECAL		1	
14	532160397	DECAL		1	
15	532170564	DECAL		1	
17	532140837	DECAL		1	
23	532106202	REFLECTOR		1	
24	532145005	DECAL		1	
27	532166960	DECAL		1	
--	532138311	DECAL		1	



REPAIR PARTS

TRACTOR - - MODEL NO. GTH2550XPA

WHEELS & TIRES



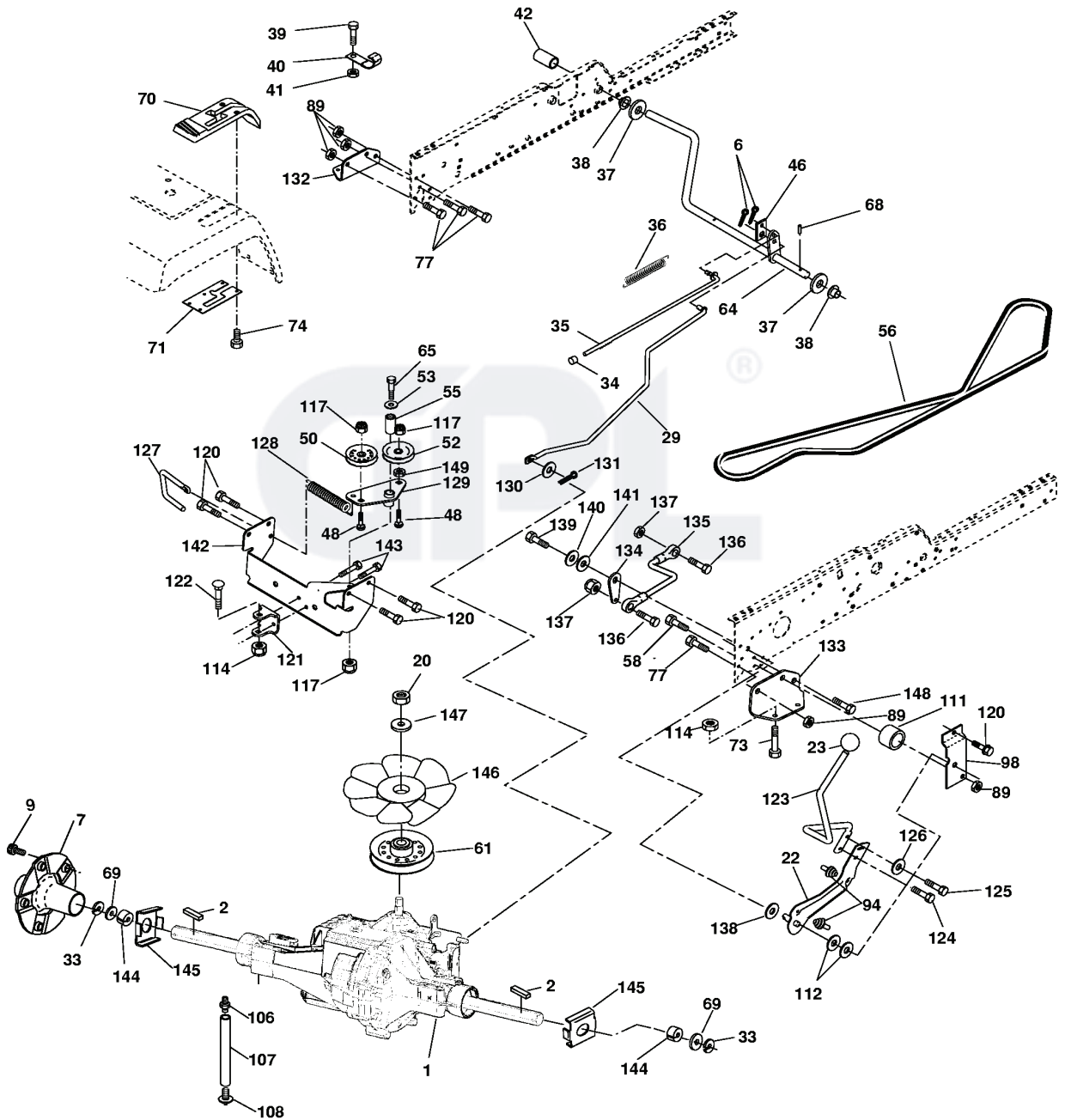
REF.	PART NO.	DESCRIPTION	REMARK	QTY.	KIT
1	532059192	CAP VALVE		1	
2	532065139	NIPPLE		1	
3	532144509	RIM SPROCKET		1	
4	532008134	HOSE		1	
5	532106230	TIRE		1	
6	532124957	FITTING		1	
7	532124959	BEARING		1	
8	532175039	HUB CAP		1	
9	532105588	TIRE		1	
10	532007154	HOSE		1	
11	532144510	WHEEL		1	
12	532124860	GREASE		1	
--	532144334	SEALING FOAM		1	



REPAIR PARTS

TRACTOR - - MODEL NO. GTH2550XPA

GROUND DRIVE

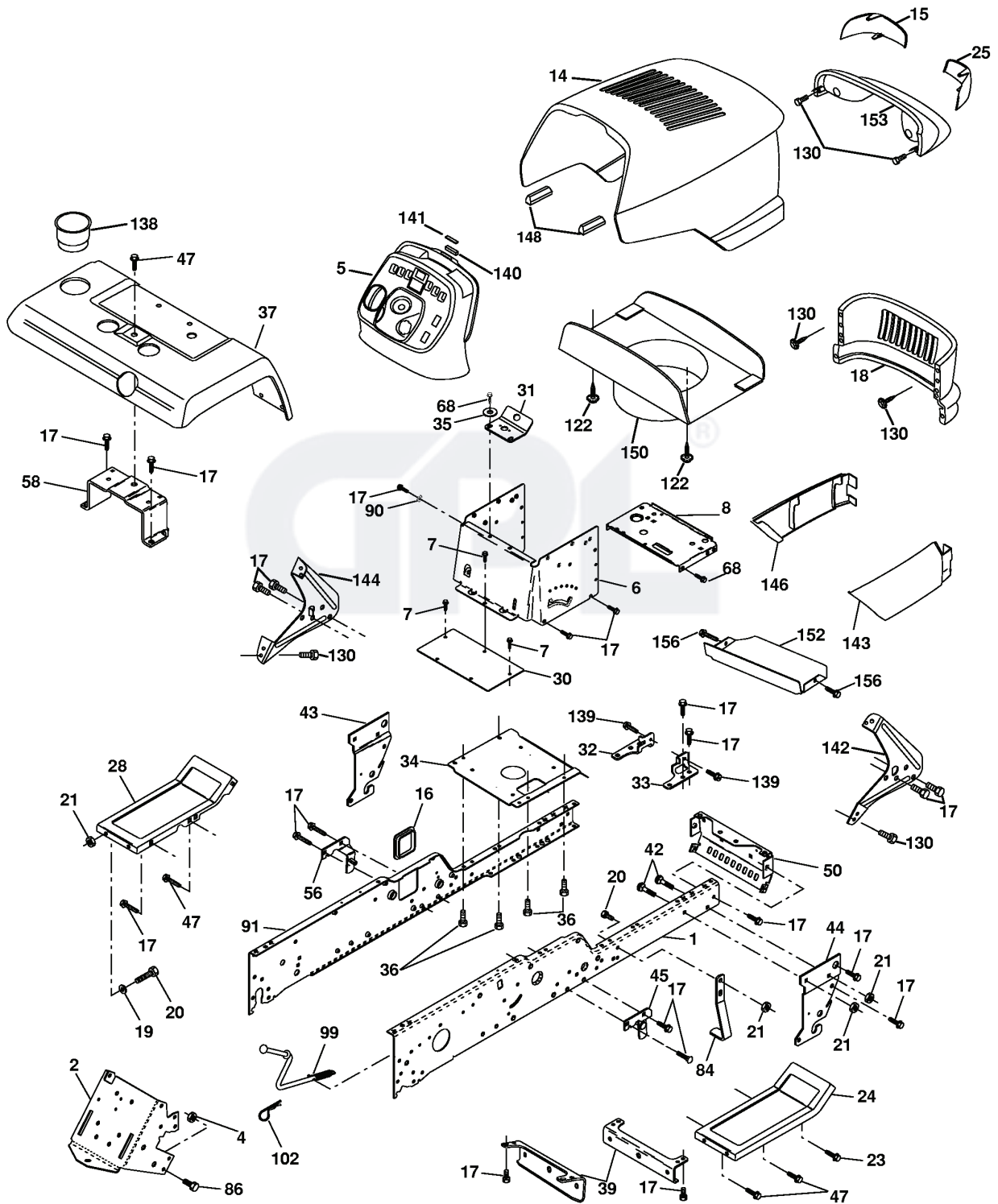


REF.	PART NO.	DESCRIPTION	REMARK	QTY.	KIT
5	873680600	NUT		1	
6	876020412	SPLIT PIN		1	
7	532140507	WHEEL HUB		1	
9	532140080	BOLT		1	
20	873940800	NUT		1	
23	532140845	KNOB		1	
29	532176600	TIGE DE FREIN		1	
33	812000053	E-CLIP		1	
34	532071673	COVER		1	
35	532137648	ROD		1	
36	532149412	SPRING		1	
37	532121749	WASHER		1	
38	532150035	BUSHING		1	
39	874321016	SCREW		1	
40	532005304	SWITCH		1	
41	873931000	NUT		1	
42	532008883	PEDAL RUBBER		1	
46	532145170	SPRING		1	
50	532173438	PULLEY		1	
52	532127783	PULLEY		1	
53	532000207	WASHER		1	
55	532105706	BEARING		1	
56	532161597	V-BELT		1	
58	874760724	BOLT		1	
61	532143995	PULLEY		1	
64	532176601	AXE		1	
68	532005142	PIN RETAINING SCREW		1	
69	532123800	WASHER		1	
71	532151179	PLATE		1	
72	873680500	NUT		1	
73	874490548	BOLT		1	
74	532142432	SCREW		1	
77	874760716	BOLT		1	
89	873680700	NUT		1	
94	532133835	XMAS TREE FASTNER		1	
98	532141004	BRACKET		1	
106	532142918	NIPPLE		1	
107	532154739	HOSE		1	
108	532142917	VALVE		1	
111	532156240	SPACER		1	
112	532156104	WASHER		1	
114	873800500	LOCK NUT		1	
117	873900600	NUT		1	
120	817060612	SCREW		1	
121	532175611	CHAPPE DE FIXATION		1	
122	872110520	BOLT		1	
123	532176602	SUPPORT LEVIER DE VITESSE		1	
124	532165492	BOLT		1	
125	532166880	SCREW		1	
126	532166002	WASHER		1	
127	532177362	TRINGLE CONTROLE D'EMBRAYAGE		1	
128	532176624	RESSORT TENSION D'AVANCEMENT		1	
130	819131016	WASHER		1	
131	876020308	SPLIT PIN		1	
132	532175467	SUPPORT		1	
133	532175468	SUPPORT		1	
135	532177364	BIELLETTTE CDE BOITE VITESSE		1	
136	874780516	BOLT		1	
137	532001685	NUT		1	
138	532001370	WASHER		1	
139	874550412	BOLT		1	
140	810040400	WASHER		1	
141	819091210	WASHER		1	
142	532175469	CONSOLE		1	
143	817490508	SCREW		1	
144	532160849	ENTRETOISE FENDUE	160849	1	
145	532163168	WASHER		1	
146	532140462	FAN		1	
147	532141322	WASHER		1	
148	817060616	SCREW		1	
149	819131410	WASHER		1	

REPAIR PARTS

TRACTOR - - MODEL NO. GTH2550XPA

CHASSIS AND ENCLOSURES



REF.	PART NO.	DESCRIPTION	REMARK	QTY.	KIT
2	532175282	PLATE		1	
4	873800700	NUT		1	
5	532177582	TABLEAU*RPL.PAR 532163976		1	
6	532157882	PANEL		1	
7	817720408	SCREW		1	
8	532145166	SUPPORT		1	
14	532177583	HOOD		1	
15	532161842	LENS		1	
16	532121794	COVER		1	
17	817060612	SCREW		1	
18	532177584	CALANDRE*RPL.PAR 532169846418		1	
19	819131312	WASHER		1	
20	874760616	BOLT		1	
21	873680600	NUT		1	
23	817060616	SCREW		1	
24	532147202	SUPPORT		1	
25	532161841	LENS		1	
28	532147203	SUPPORT		1	
30	532145052	SUPPORT		1	
31	532161419	SUPPORT COLONNE DE DIRECTION		1	
32	532161327	CONSOLE		1	
33	532161326	CONSOLE		1	
34	532177018	PLATE		1	
35	819111116	WASHER		1	
36	817060512	SCREW		1	
39	532175278	CONSOLE		1	
42	872140608	BOLT		1	
43	532136939	BRACKET		1	
44	532136940	BRACKET		1	
45	532154913	BRACKET		1	
47	817670608	SCREW		1	
50	532175476	POTENCE DE CHASSIS AVANT		1	
56	532154914	BRACKET		1	
58	532175315	BRACKET FENDER		1	
68	817490508	SCREW		1	
84	532142992	STOP		1	
86	874760716	BOLT		1	
90	811050600	WASHER		1	
99	532177143	AXE		1	
102	532124788	RETAINER RING		1	
122	532161464	SCREW		1	
130	532164863	SCREW		1	
139	532171873	BOLT		1	
140	532163806	PIN RETAINING SCREW		1	
141	532163805	PIN RETAINING SCREW		1	
142	532161897	BRACKET		1	
143	532177586	COTE*RPL.PAR 532169847418		1	
144	532161900	BRACKET		1	
146	532177587	COTE*RPL.PAR 532169848418		1	
148	532164655	ABSORBER		1	
150	532161237	CARTER DE VENTILATION MOTEUR		1	