

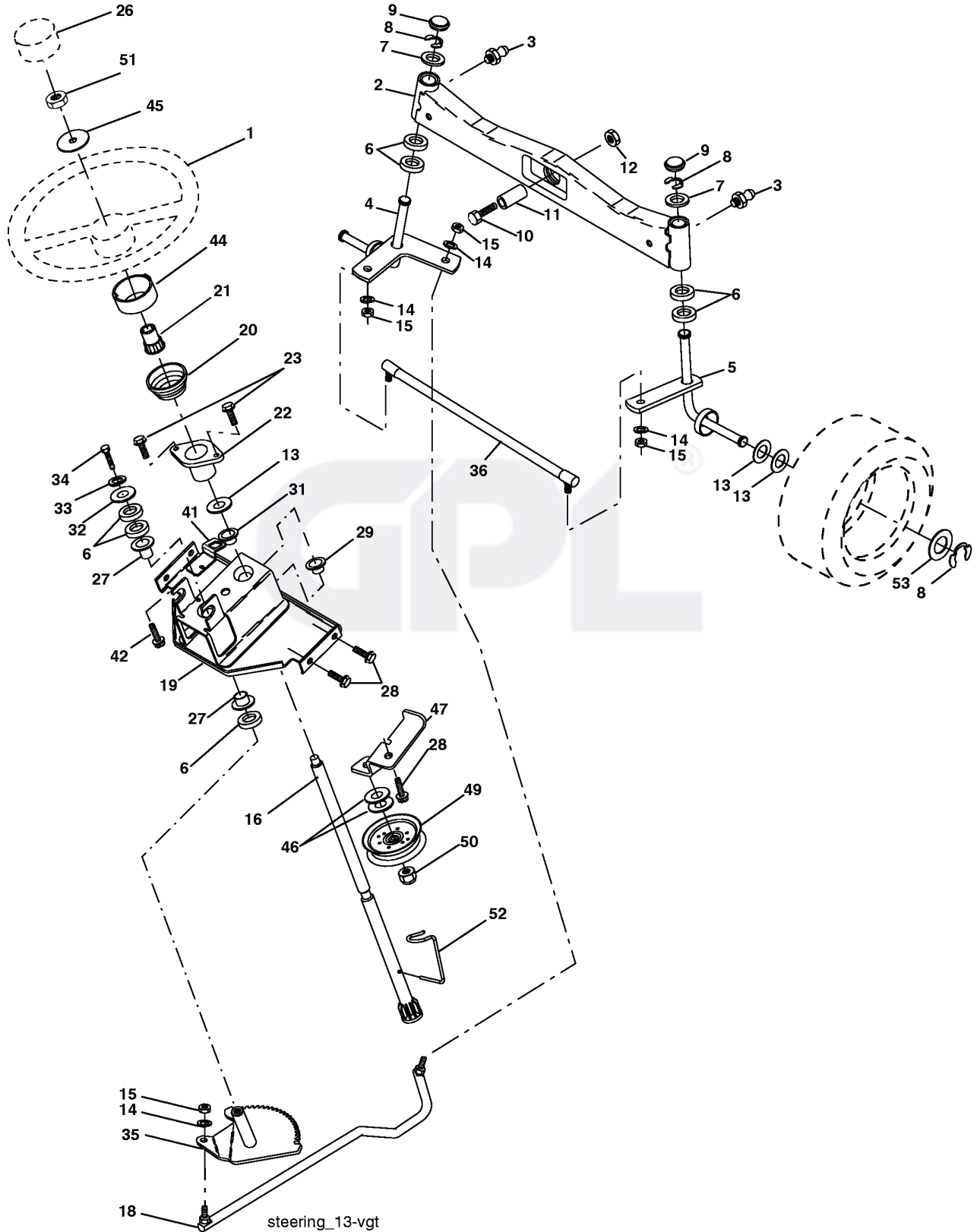
TH2554 XP, GTH2554XPB, 954568427, 2004



SPARE PARTS LIST

REPAIR PARTS

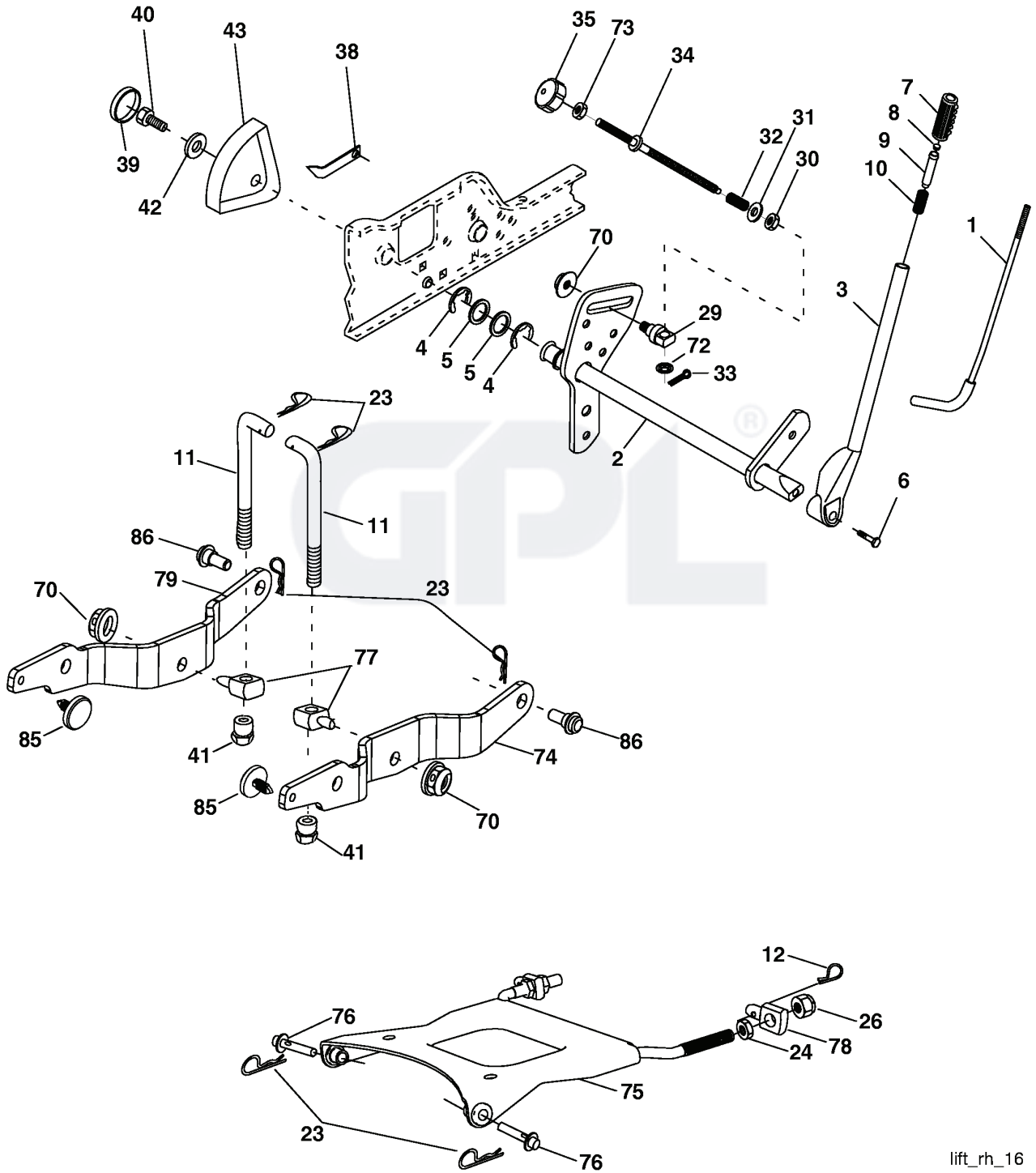
TRACTOR - - MODEL NO. GTH2554XP (GTH2554XPB), PRODUCT NO. 954 56 84-27
STEERING ASSEMBLY



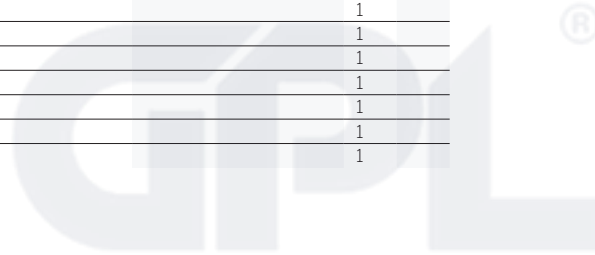
REF.	PART NO.	DESCRIPTION	REMARK	QTY.	KIT
1	532166627	STEERING WHEEL		1	
2	532178557	ESSIEU AVANT		1	
3	532183226	FITTING		1	
4	532161849	SPINDLE ASM. LH		1	
5	532161848	SPINDLE ASM. RH		1	
6	532124931	WASHER		1	
7	532121748	WASHER		1	
8	812000029	RETAINER RING		1	
9	532121232	HUB CAP		1	
10	874781044	SCREW		1	
11	532136518	PIPE		1	
12	873901000	NUT		1	
13	532121749	WASHER		1	
14	810040600	WASHER		1	
15	873540600	NUT		1	
16	532186814	COLUMN		1	
18	532187799	DRAGLINK		1	
19	532156011	SUPPORT		1	
20	532177592	SOUFFLET*RPL.PAR 532163888		1	
21	532159945	ADAPTER		1	
22	532155105	BUSHING		1	
23	532152927	SCREW		1	
26	532166626	INSERT		1	
27	532124937	BEARING COL. STRG.		1	
28	817000612	SCREW		1	
29	532104239	BEARING		1	
31	532138136	BUSHING		1	
32	819111610	WASHER		1	
33	810040500	WASHER		1	
34	874780512	SCREW		1	
35	532187039	SECTEUR CRANTE		1	
36	532186799	ROD		1	
41	532155246	BRACKET		1	
42	817490508	SCREW		1	
44	532177593	RALLONGE*RPL.PAR 532160135		1	
45	819182411	WASHER		1	
46	819131610	WASHER		1	
47	532179471	SUPPORT TENSION DE COURROIE		1	
49	532175820	PULLEY		1	
50	873900600	NUT		1	
51	873940800	NUT		1	
52	532175553	SPRING		1	
53	532188967	WASHER		1	

REPAIR PARTS

TRACTOR - - MODEL NO. GTH2554XP (GTH2554XPB), PRODUCT NO. 954 56 84-27
LIFT ASSEMBLY

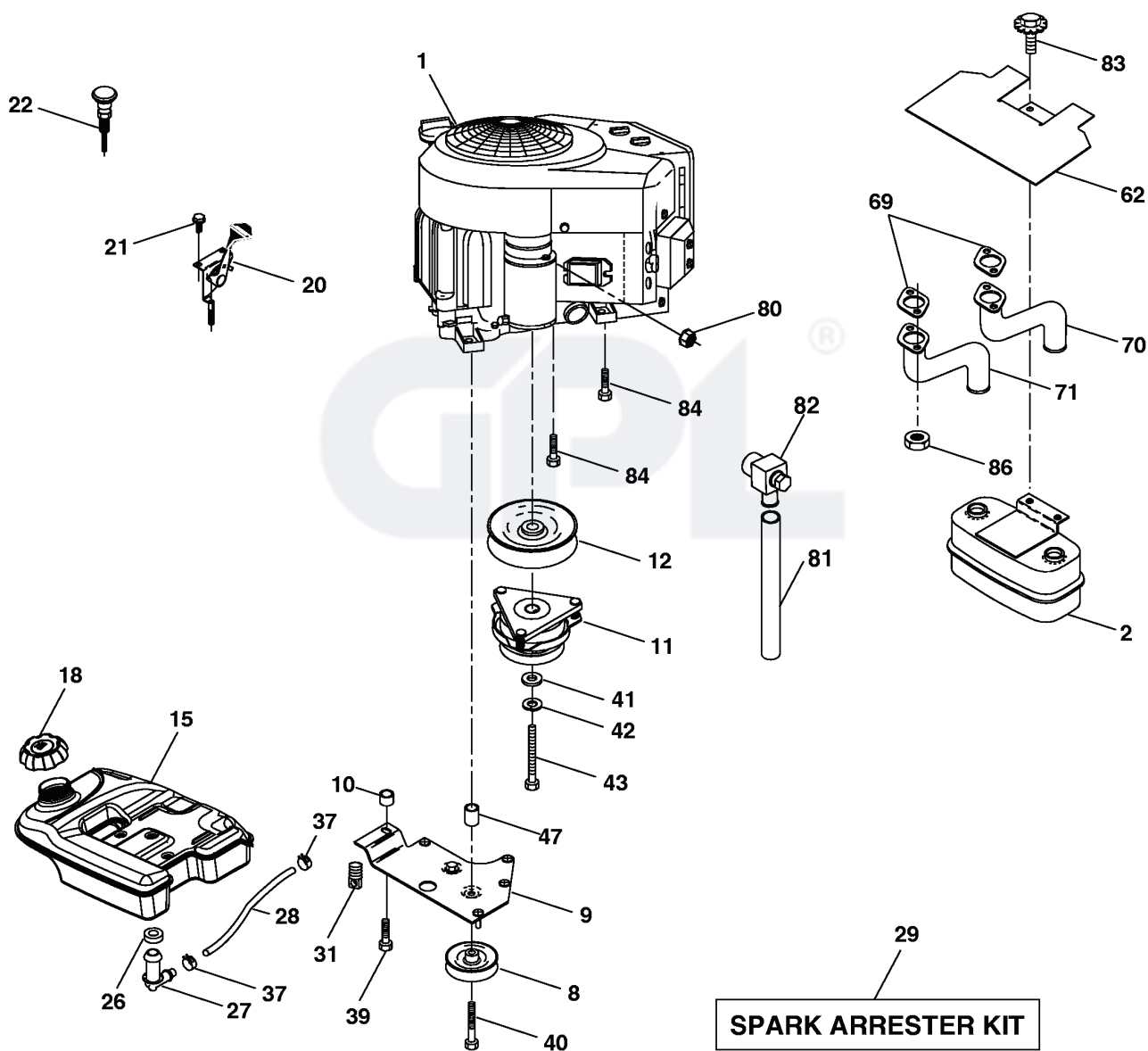


REF.	PART NO.	DESCRIPTION	REMARK	QTY.	KIT
1	532121006	ROD		1	
2	532180045	ROD		1	
3	532159189	ARM		1	
4	812000022	RETAINER RING		1	
5	819292016	WASHER		1	
6	871110624	BOLT		1	
7	532125631	HANDLE		1	
8	532124526	KNOB		1	
9	532122364	PLUNGER		1	
10	532183894	RESSORT DE RELEVAGE		1	
11	532175375	SUSPENSION CARTER DE COUPE		1	
12	532163552	CLIP		1	
23	532124670	RETAINER RING		1	
24	873350800	NUT		1	
26	873800800	NUT		1	
29	532150233	TRUNNION		1	
30	532110807	NUT		1	
31	819131016	WASHER		1	
32	532137150	SPRING		1	
33	876020308	SPLIT PIN		1	
34	532137167	ROD		1	
35	532138057	KNOB		1	
38	532155097	INDICATOR		1	
39	532123935	PLUG		1	
40	817060516	SCREW		1	
41	532175994	NUT		1	
42	819112410	WASHER		1	
43	532123934	INDICATOR		1	
70	532145212	NUT		1	
72	532110452	NUT		1	
73	873350600	NUT		1	
74	532187277	ARM SUSPENSION RH		1	
75	532175805	PLATE		1	
76	532175560	PIN RETAINING SCREW		1	
77	532176205	TRUNION		1	
78	532175689	BRACKET		1	
79	532187276	ARM SUSPENSION LH		1	
85	532189013	INSERT WEAR		1	
86	532188528	BOLT		1	



REPAIR PARTS

TRACTOR - - MODEL NO. GTH2554XP (GTH2554XPB), PRODUCT NO. 954 56 84-27
ENGINE

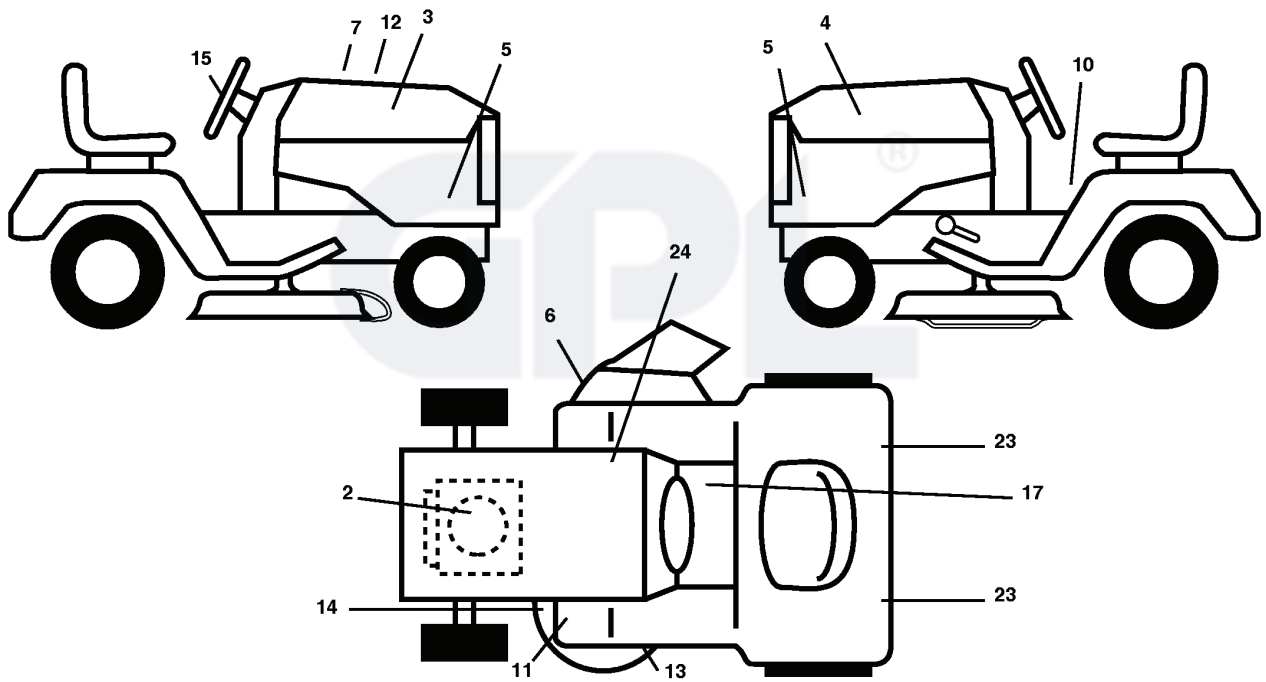


REF.	PART NO.	DESCRIPTION	REMARK	QTY.	KIT
2	532149723	MUFFLER		1	
8	532121361	PULLEY		1	
9	532177748	SUPPORT POULIE COURROIE TRACT.		1	
10	532175287	ENTRETOISE		1	
11	532179335	CLUTCH		1	
12	532143996	PULLEY		1	
15	532179115	TANK FUEL 5.0 STLT W/O		1	
18	532181803	TANK CAP		1	
20	532178147	CONTROL THROTTLE		1	
21	532171875	SCREW		1	
22	532189541	CHOKE CONTROL		1	
26	532124952	BUSHING		1	
27	532139277	NIPPLE		1	
28	532124703	HOSE		1	
29	532137180	SPARK ARRESTER KIT		1	
31	532145006	CLIP		1	
37	532123487	HOSE CLAMP		1	
39	817490636	SCREW		1	
40	817490664	SCREW		1	
41	532126197	WASHER		1	
42	810040700	WASHER		1	
43	532179953	BOLT		1	
47	532175288	ENTRETOISE		1	
62	532176252	PLATE		1	
70	532175767	TUBULURE D'ECHAPPEMENT DROITE		1	
71	532175766	TUBULURE D'ECHAPPEMENT GAUCHE		1	
80	532163305	NUT FLANGE M8-1.25 NON-		1	
81	532148456	TUBE		1	
83	532171877	BOLT		1	
84	817060624	SCREW		1	
86	532184362	NUT		1	

GPL®

REPAIR PARTS

TRACTOR - - MODEL NO. GTH2554XP (GTH2554XPB), PRODUCT NO. 954 56 84-27
DECALS

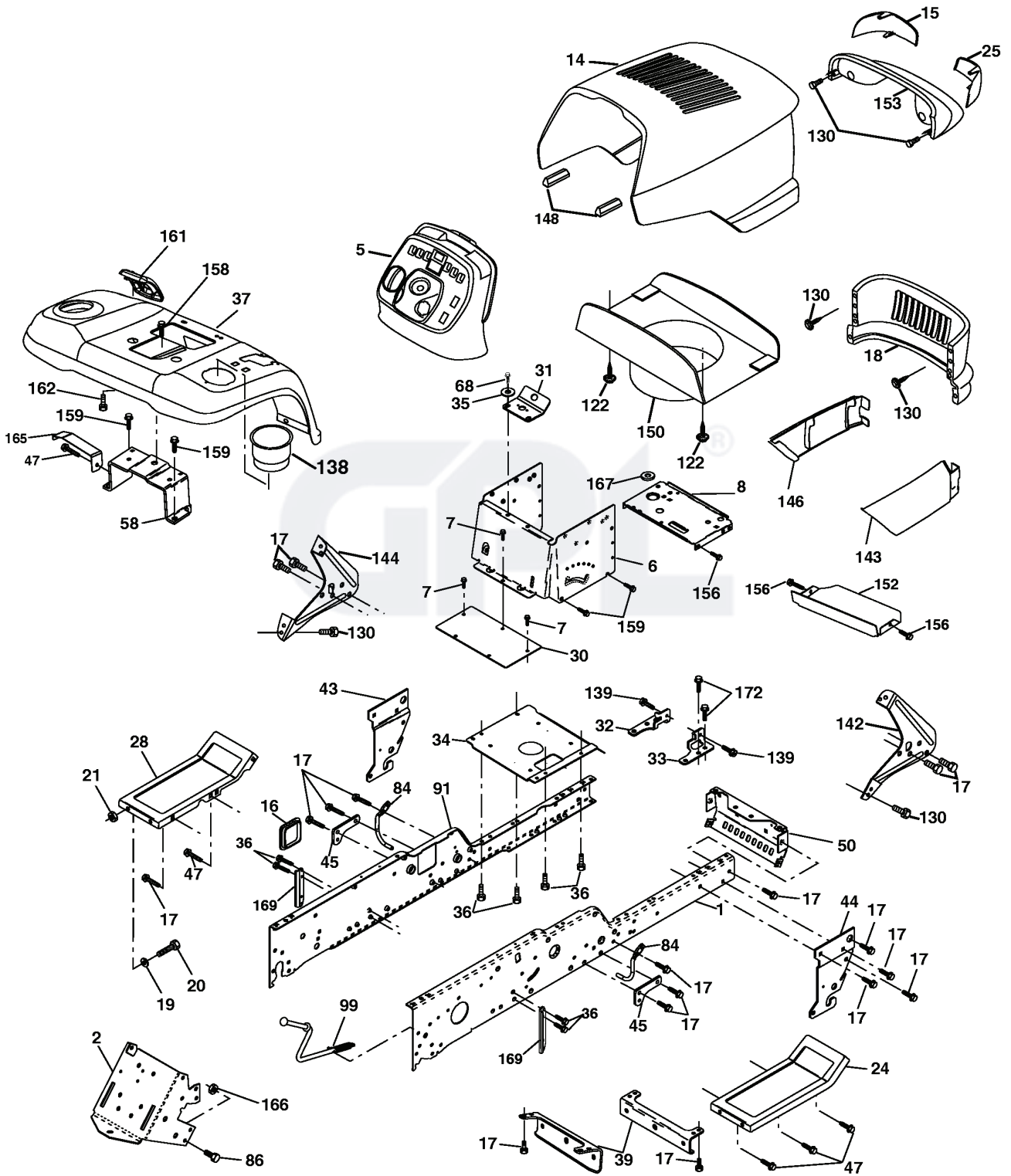


REF.	PART NO.	DESCRIPTION	REMARK	QTY.	KIT
2	532185693	DECALC.VOLUTE MOTEUR		1	
6	532170563	DECALC."DANGER"		1	
7	532180941	DECAL		1	
10	532157140	DECAL		1	
11	532181253	DECAL		1	
13	532188298	DECAL		1	
14	532178502	DECALC.CARTER "DANGER"		1	
15	532188925	DECAL		1	
23	532106202	REFLECTOR		1	
24	532145005	DECAL		1	
--	532181917	PROTEGE*RPL.PAR 532179769418		1	
--	532181916	PROTEGE*RPL.PAR 532179768418		1	
--	532166960	DECAL		1	



REPAIR PARTS

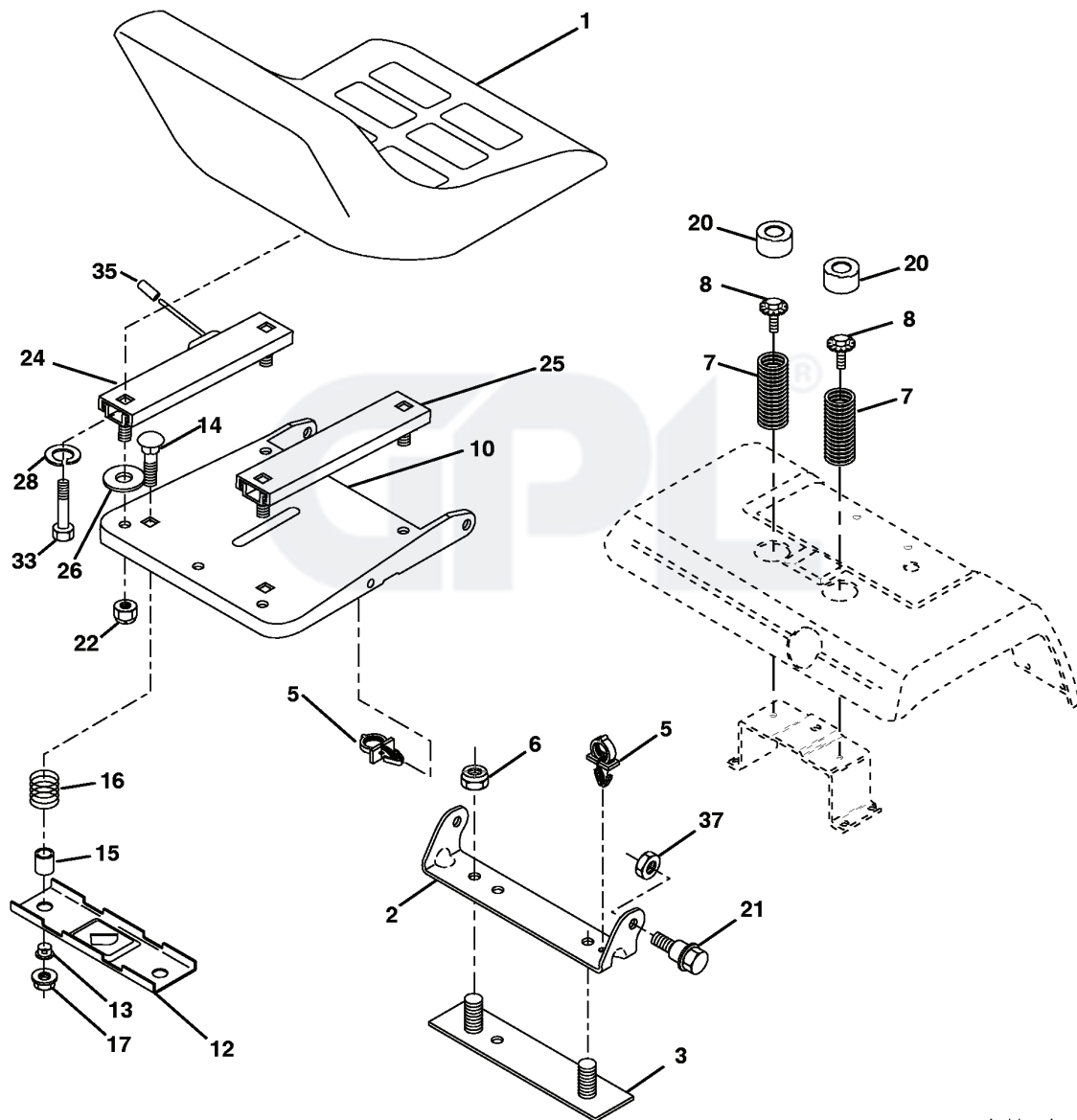
TRACTOR - - MODEL NO. GTH2554XP (GTH2554XPB), PRODUCT NO. 954 56 84-27
CHASSIS AND ENCLOSURES



REF.	PART NO.	DESCRIPTION	REMARK	QTY.	KIT
1	532180375	LONGERON DROIT		1	
2	532175282	PLATE		1	
5	532189025	DASH		1	
6	532157882	PANEL		1	
7	817720408	SCREW		1	
8	532184668	SUPPORT*RPL.PAR 532185518		1	
14	532190055	HOOD		1	
15	532161841	LENS		1	
16	532121794	COVER		1	
17	817060612	SCREW		1	
18	532182873	CALA*RPL.PAR 532175289418		1	
19	819131312	WASHER		1	
20	874780616	BOLT		1	
21	873800600	NUT		1	
24	532181058	FOOTREST		1	
25	532161842	LENS		1	
28	532181057	FOOTREST		1	
30	532145052	SUPPORT		1	
31	532161419	SUPPORT COLONNE DE DIRECTION		1	
32	532161327	CONSOLE		1	
33	532161326	CONSOLE		1	
34	532177018	PLATE		1	
35	819111116	WASHER		1	
36	817060512	SCREW		1	
37	532181720	CARROS.RPL.PAR 532178510422		1	
39	532175278	CONSOLE		1	
43	532136939	BRACKET		1	
44	532136940	BRACKET		1	
45	532187270	BRACKET		1	
47	817490608	SCREW		1	
50	532175476	POTENCE DE CHASSIS AVANT		1	
58	532183569	BRACKET		1	
68	817490508	SCREW		1	
84	532188164	UPSTOP 54"		1	
86	874780720	BOLT		1	
91	532180374	LONGERON GAUCHE		1	
99	532177143	AXE		1	
122	532161464	SCREW		1	
130	532171875	SCREW		1	
138	532181798	REPOSE*RPL.PAR 532179125418		1	
139	532171873	BOLT		1	
142	532161897	BRACKET		1	
143	532177586	COTE*RPL.PAR 532169847418		1	
144	532161900	BRACKET		1	
146	532177587	COTE*RPL.PAR 532169848418		1	
148	532164655	ABSORBER		1	
150	532190309	CONVOYEUR DAIR		1	
152	532177956	PLATE		1	
153	532188212	LENS		1	
156	817000512	SCREW		1	
158	817670608	SCREW		1	
159	817000612	SCREW		1	
161	532181787	TRAPPE*RPL.PAR 532179612418		1	
162	532142432	SCREW		1	
165	532183554	BRACKET		1	
166	873800700	NUT		1	
167	532184672	BAGUE NYLON		1	
169	532188598	BRACKET		1	
170	532188558			1	
172	817120614	SCREW		1	

REPAIR PARTS

TRACTOR - - MODEL NO. GTH2554XP (GTH2554XPB), PRODUCT NO. 954 56 84-27
SEAT ASSEMBLY



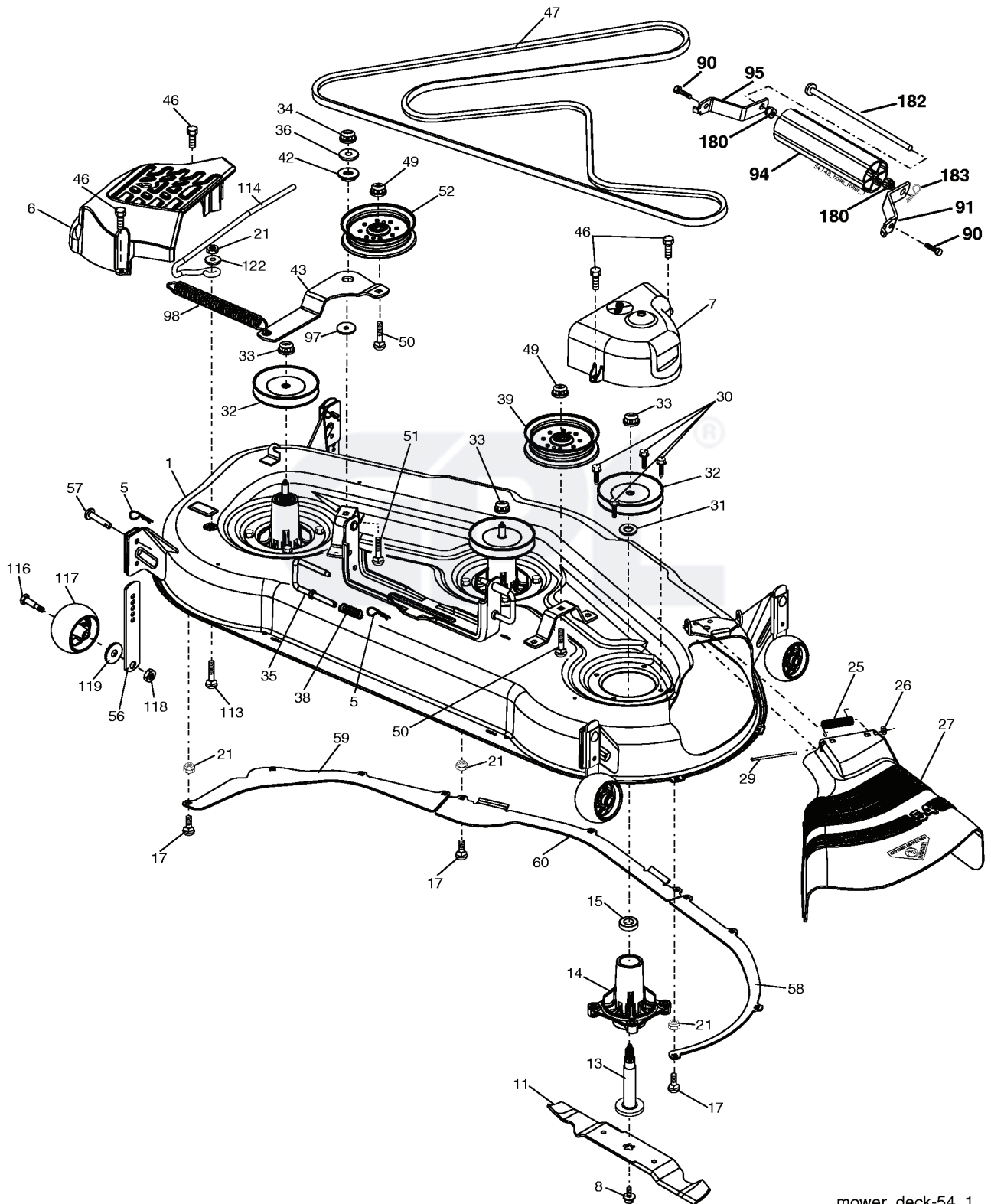
seat_11-vgt

REF.	PART NO.	DESCRIPTION	REMARK	QTY.	KIT
1	532184995	SEAT		1	
2	532140551	BRACKET		1	
3	532140675	STRAP		1	
5	532145006	CLIP		1	
6	873800600	NUT		1	
7	532124181	SPRING		1	
8	532171877	BOLT		1	
10	532182493	BRACKET		1	
12	532121246	BRACKET		1	
13	532121248	BUSHING		1	
14	872050412	BOLT		1	
15	532121249	SPACER		1	
16	532123740	SPRING		1	
17	532123976	LOCKNUT		1	
20	532124238	HUB CAP		1	
21	532171852	BOLT		1	
22	873680500	NUT		1	
24	532177946	RAIL DE REGLAGE SIEGE C.GAUCHE		1	
25	532177947	RAIL DE REGLAGE SIEGE C.DROIT		1	
26	819111012	WASHER		1	
28	810010500	WASHER		1	
33	874780512	SCREW		1	
35	532178426	HUB CAP		1	
37	873800500	LOCK NUT		1	

GPL®

REPAIR PARTS

TRACTOR - - MODEL NO. GTH2554XP (GTH2554XPB), PRODUCT NO. 954 56 84-27
MOWER DECK

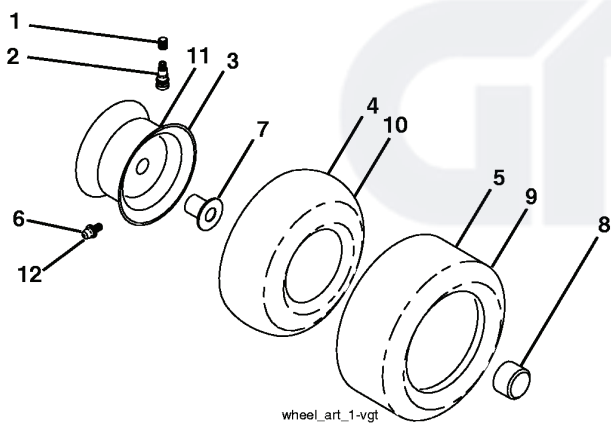


REF.	PART NO.	DESCRIPTION	REMARK	QTY.	KIT
5	532124670	RETAINER RING		1	
6	532187297	COVER		1	
7	532188187	COVER		1	
8	532174365	BOLT		1	
11	532187254	BLADE		1	
13	532187291	SHAFT		1	
14	532187281	BEARING HOUSING		1	
15	532110485	BEARING		1	
17	872140505	BOLT		1	
21	873680500	NUT		1	
25	532178102	SPRING		1	
26	532110452	NUT		1	
27	532188938	DEFLECTOR		1	
29	532131491	SHAFT		1	
30	532173984	SCREW		1	
31	532187690	WASHER		1	
32	532173436	PULLEY		1	
33	532178342	NUT		1	
34	873680600	NUT		1	
35	532188635	PIN SUSPENSION REAR		1	
36	819131316	WASHER		1	
38	532188657	SPRING		1	
39	532187284	PULLEY		1	
41	532187557	BUSHING		1	
42	532122052	SPACER		1	
43	532187278	ARM IDLER		1	
46	532137729	SCREW		1	
47	532191273	V-BELT		1	
49	873900600	NUT		1	
50	872110616	BOLT		1	
51	872110610	BOLT		1	
52	532188460	PULLEY		1	
56	532155986	BAR		1	
57	532156941	PIN RETAINING SCREW		1	
58	532187342	BAFFLE		1	
59	532187344	BAFFLE		1	
60	532187607	BAFFLE		1	
90	874760516	BOLT		1	
91	532180535	BRACKET		1	
94	532176066	ROLLER		1	
95	532180534	BRACKET		1	
97	819133210	WASHER		1	
98	532187282	SPRING		1	
113	872110508	BOLT		1	
114	532187556	ROD TENSION RELIEF		1	
116	532184219	BOLT		1	
117	532133957	WHEEL		1	
118	873930600	NUT		1	
119	819121414	WASHER		1	
122	532187557	BUSHING		1	
180	873800500	LOCK NUT		1	
182	532179127	ROD ROLLER NOSE		1	
183	532163552	CLIP		1	
--	532187292	MANDREL		1	
--	532188377	DECK		1	

REPAIR PARTS

TRACTOR - - MODEL NO. GTH2554XP (GTH2554XPB), PRODUCT NO. 954 56 84-27

WHEELS & TIRES

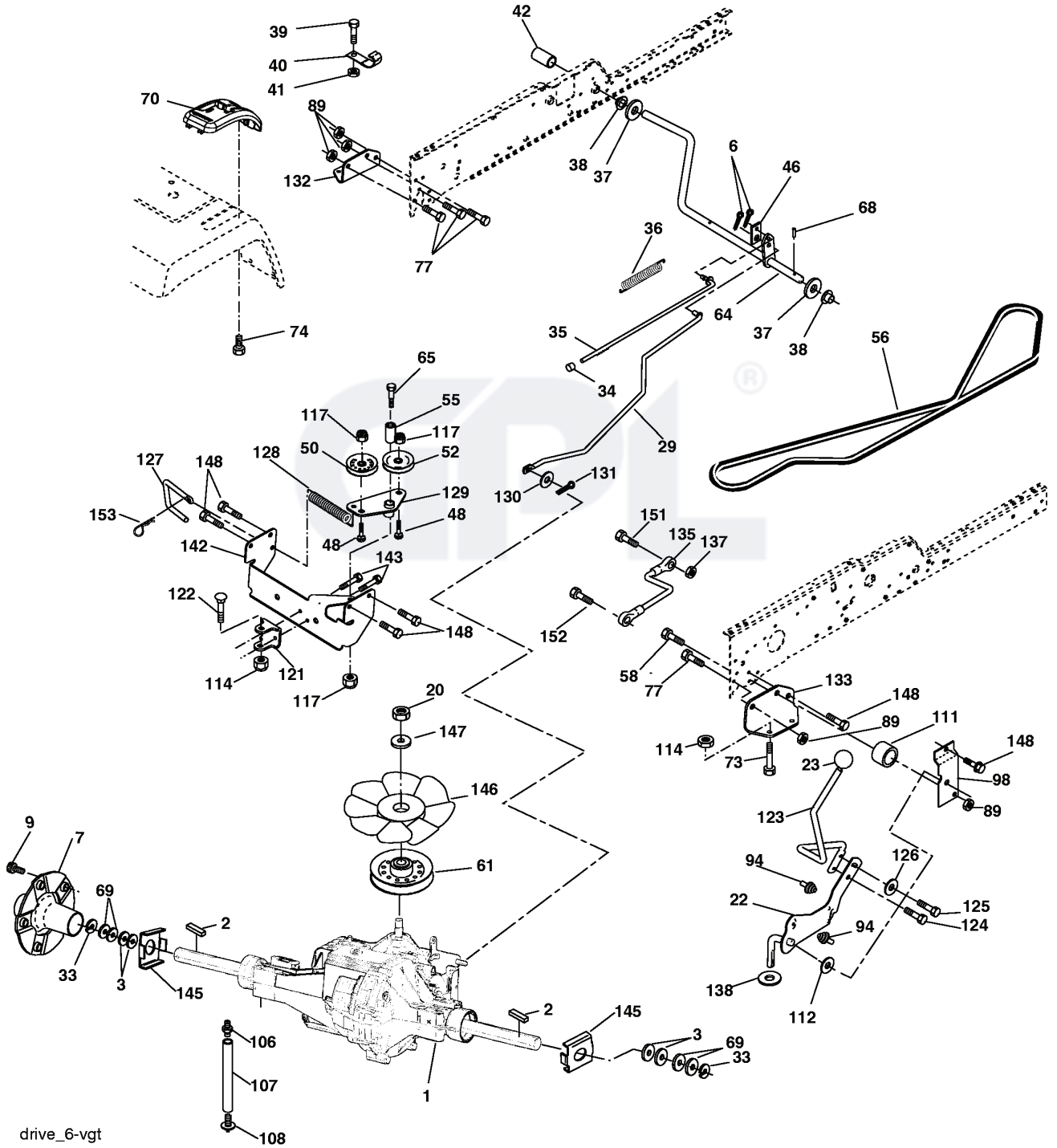


REF.	PART NO.	DESCRIPTION	REMARK	QTY.	KIT
1	532059192	CAP VALVE		1	
2	532065139	NIPPLE		1	
3	532144509	RIM SPROCKET		1	
4	532008134	HOSE		1	
5	532106230	TIRE		1	
6	532124957	FITTING		1	
7	532124959	BEARING		1	
8	532175039	HUB CAP		1	
9	532105588	TIRE		1	
10	532007154	HOSE		1	
11	532144510	WHEEL		1	
12	532124860	GREASE		1	
--	532144334	SEALING FOAM		1	



REPAIR PARTS

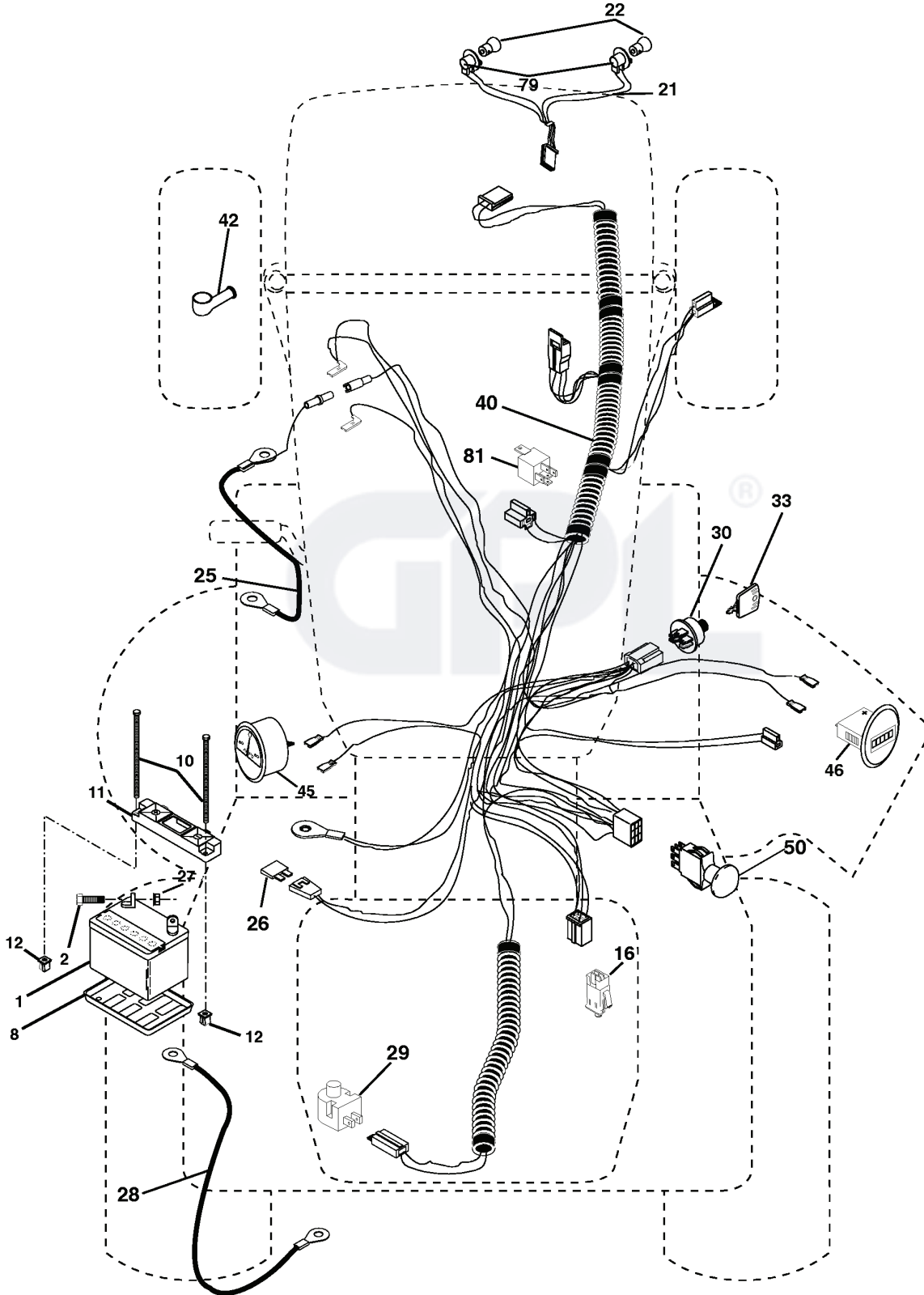
TRACTOR -- MODEL NO. GTH2554XP (GTH2554XPB), PRODUCT NO. 954 56 84-27
GROUND DRIVE



REF.	PART NO.	DESCRIPTION	REMARK	QTY.	KIT
2	532007070	KEY		1	
3	532007563	WASHER		1	
6	876020412	SPLIT PIN		1	
7	532140507	WHEEL HUB		1	
9	532140080	BOLT		1	
20	873940800	NUT		1	
22	532180235	LEVER		1	
23	532140845	KNOB		1	
29	532176600	TIGE DE FREIN		1	
33	812000053	E-CLIP		1	
34	532071673	COVER		1	
35	532137648	ROD		1	
36	532149412	SPRING		1	
37	532121749	WASHER		1	
38	532150035	BUSHING		1	
39	874321016	SCREW		1	
40	532178575	CROCHET FIXATION DE FAISCEAU		1	
41	873931000	NUT		1	
42	532124782	COVER		1	
46	532145170	SPRING		1	
48	872110614	BOLT		1	
50	532131494	PULLEY		1	
52	532127783	PULLEY		1	
55	532105706	BEARING		1	
56	532161597	V-BELT		1	
58	874760724	BOLT		1	
61	532143995	PULLEY		1	
64	532176601	AXE		1	
65	532179613	BOLT		1	
68	532005142	PIN RETAINING SCREW		1	
69	532123800	WASHER		1	
70	532181788	GRILLE DE VITESSE		1	
73	874490548	BOLT		1	
74	532142432	SCREW		1	
77	874780716	BOLT		1	
89	873680700	NUT		1	
94	532133835	XMAS TREE FASTNER		1	
98	532141004	BRACKET		1	
106	532142918	NIPPLE		1	
107	532154739	HOSE		1	
108	532142917	VALVE		1	
111	532156240	SPACER		1	
112	532178558	WASHER		1	
114	873800500	LOCK NUT		1	
117	873900600	NUT		1	
121	532175611	CHAPPE DE FIXATION		1	
122	872010520	BOLT		1	
123	532183254	LEVER		1	
124	532165492	BOLT		1	
125	817490510	SCREW		1	
126	532166002	WASHER		1	
127	532177362	TRINGLE CONTROLE D'EMBAYAGE		1	
128	532176624	RESSORT TENSION D'AVANCEMENT		1	
129	532179473	SUPPORT DE POULIE TENDEUR		1	
130	819131016	WASHER		1	
131	876020312	SPLIT PIN		1	
132	532175467	SUPPORT		1	
133	532175468	SUPPORT		1	
135	532177364	BIELLETTTE CDE BOITE VITESSE		1	
137	532124949	NUT		1	
138	532001370	WASHER		1	
142	532175469	CONSOLE		1	
143	817060512	SCREW		1	
145	532163168	WASHER		1	
146	532140462	FAN		1	
147	532141322	WASHER		1	
148	817000612	SCREW		1	
151	874760514	BOLT		1	
152	532178705	BOLT		1	
153	532124788	RETAINER RING		1	

REPAIR PARTS

TRACTOR -- MODEL NO. GTH2554XP (GTH2554XPB), PRODUCT NO. 954 56 84-27
ELECTRICAL



REF.	PART NO.	DESCRIPTION	REMARK	QTY.	KIT
1	532144927	BATTERY		1	
2	874760412	BOLT		1	
8	532124886	BATTERIE TRAY		1	
10	532145211	BOLT		1	
11	532150109	HOLDER		1	
12	532145769	NUT		1	
16	532176138	MICRO SWITCH		1	
21	532175688	HARNESS		1	
22	532004152	BULB		1	
25	532185461	CABLE		1	
26	532108824	FUSE		1	
27	873510400	NUT		1	
28	532170697	CABLE		1	
29	532121305	SWITCH		1	
30	532175566	SWITCH		1	
33	532140401	KEY		1	
40	532188034	HARNESS		1	
42	532154336	COVER		1	
45	532177500	GUAGE		1	
46	532177501	GUAGE		1	
50	532174651	SWITCH		1	
79	532175242	HOLDER		1	
81	532109748	RELAY		1	

