

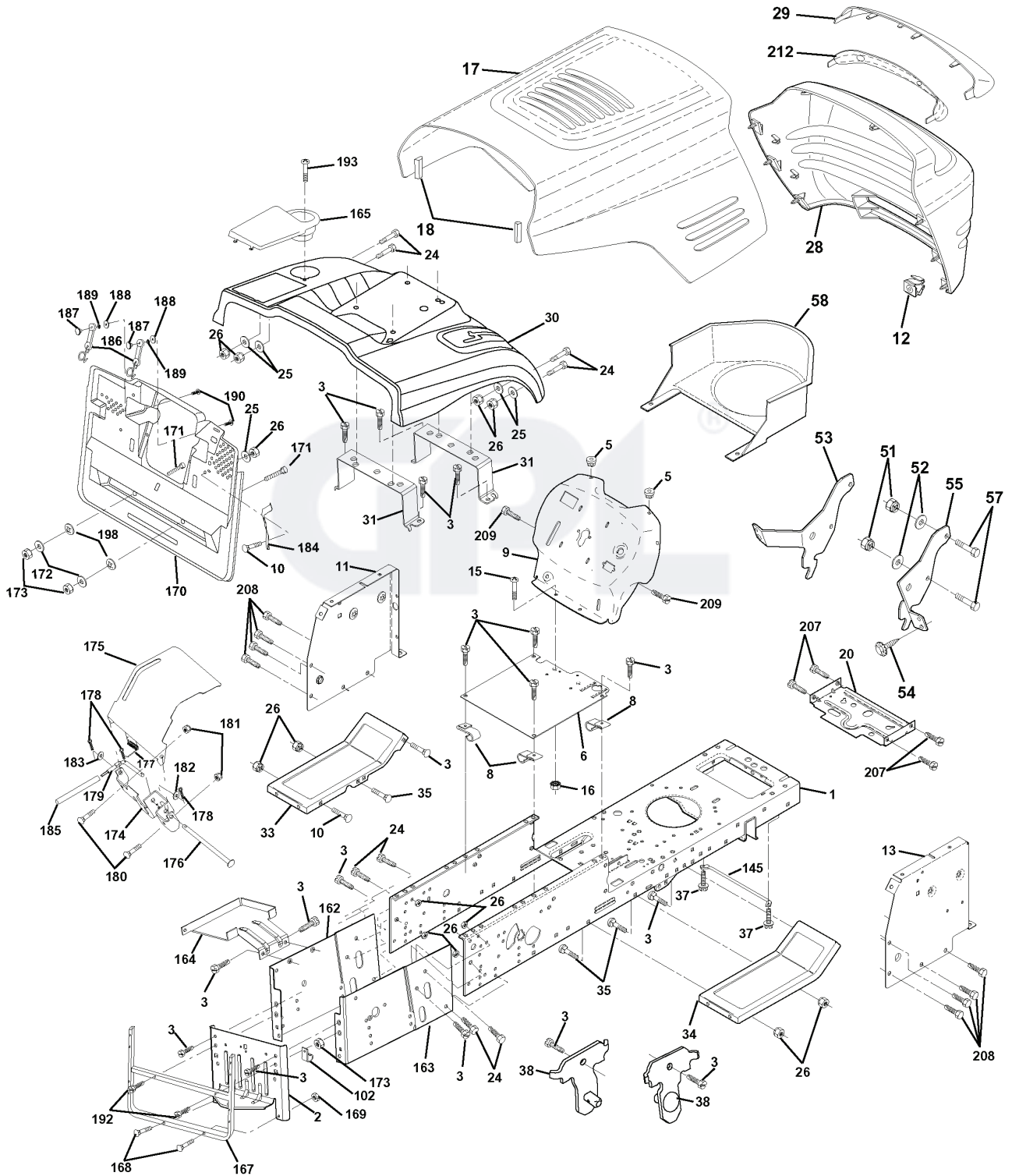
ICT18A, JICTH18A, 954130043, 2000-03

GPL[®]

SPARE PARTS LIST

REPAIR PARTS

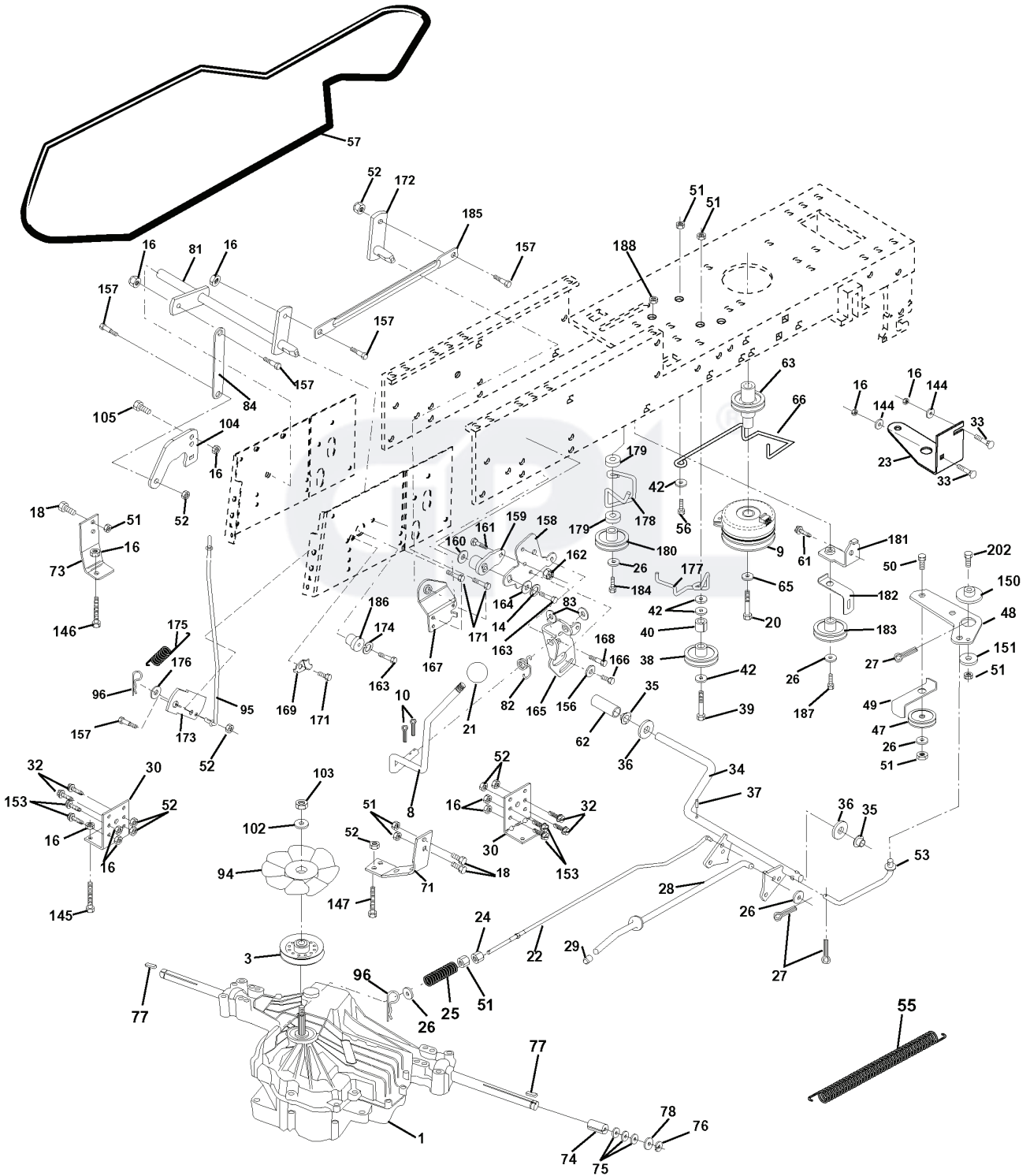
TRACTOR- -MODEL NO. ICT18A (JICTH18A), PRODUCT NO. 954 13 00-43
CHASSIS AND ENCLOSURES



REF.	PART NO.	DESCRIPTION	REMARK	QTY.	KIT
1	532169831	CHASSIS		1	
2	532165606	PLATE		1	
3	817060612	SCREW		1	
5	532155272	DAMPER		1	
6	532155923	PLATE		1	
8	532126471	CLIP		1	
9	532172099	DASH		1	
10	872140608	BOLT		1	
11	532155927	PLATE		1	
12	532145660	CLIP		1	
13	532172108	PANEL		1	
15	874180512	SCREW		1	
16	873510500	NUT		1	
17	532150760	HOOD		1	
18	532126938	DAMPER		1	
20	532156437	PLATE		1	
24	874780616	BOLT		1	
25	819131312	WASHER		1	
26	873800600	NUT		1	
28	532172170	GRILL		1	
29	532166603	LENS		1	
30	532168872	GUARD		1	
31	532165156	BRACKET		1	
33	532149139	SUPPORT		1	
34	532149140	SUPPORT		1	
35	872110606	BOLT		1	
37	817490508	SCREW		1	
38	532169834	BRACKET		1	
51	873800400	NUT		1	
52	819091416	WASHER		1	
53	532145201	BRACKET		1	
54	532161464	SCREW		1	
55	532145202	BRACKET		1	
57	874780412	BOLT		1	
58	532162266	AIR CONDUCTOR		1	
102	532124996	CLIP		1	
145	532156524	SHAFT		1	
162	532165672	BRACKET		1	
163	532165673	BRACKET		1	
164	532165605	SUPPORT		1	
165	532168407	COVER		1	
167	532165779	SUPPORT		1	
168	872050412	BOLT		1	
169	532123976	LOCKNUT		1	
170	532165607	COVER		1	
171	874520640	BOLT		1	
172	819132016	WASHER		1	
173	873510600	NUT		1	
174	532165939	BRACKET		1	
175	532166212	PROTECTOR		1	
176	532128600	LOCKING PIN		1	
177	532132796	SPRING		1	
178	876020312	SPLIT PIN		1	
179	532165942	ROD		1	
180	874760516	BOLT		1	
181	873680500	NUT		1	
182	532138200	WASHER		1	
183	819131316	WASHER		1	
184	532166139	BRACKET		1	
185	532165940	PIPE		1	
186	532160793	LATCH		1	
187	532125004	NUT		1	
188	819061216	WASHER		1	
189	810071000	WASHER		1	
190	871161010	SCREW		1	
192	817490624	SCREW		1	
193	817070412	SCREW		1	
198	532168937	WASHER		1	
207	817670508	SCREW		1	
208	817670608	SCREW		1	
209	817000612	SCREW		1	

REPAIR PARTS

TRACTOR- -MODEL NO. ICT18A (JICTH18A), PRODUCT NO. 954 13 00-43
DRIVE



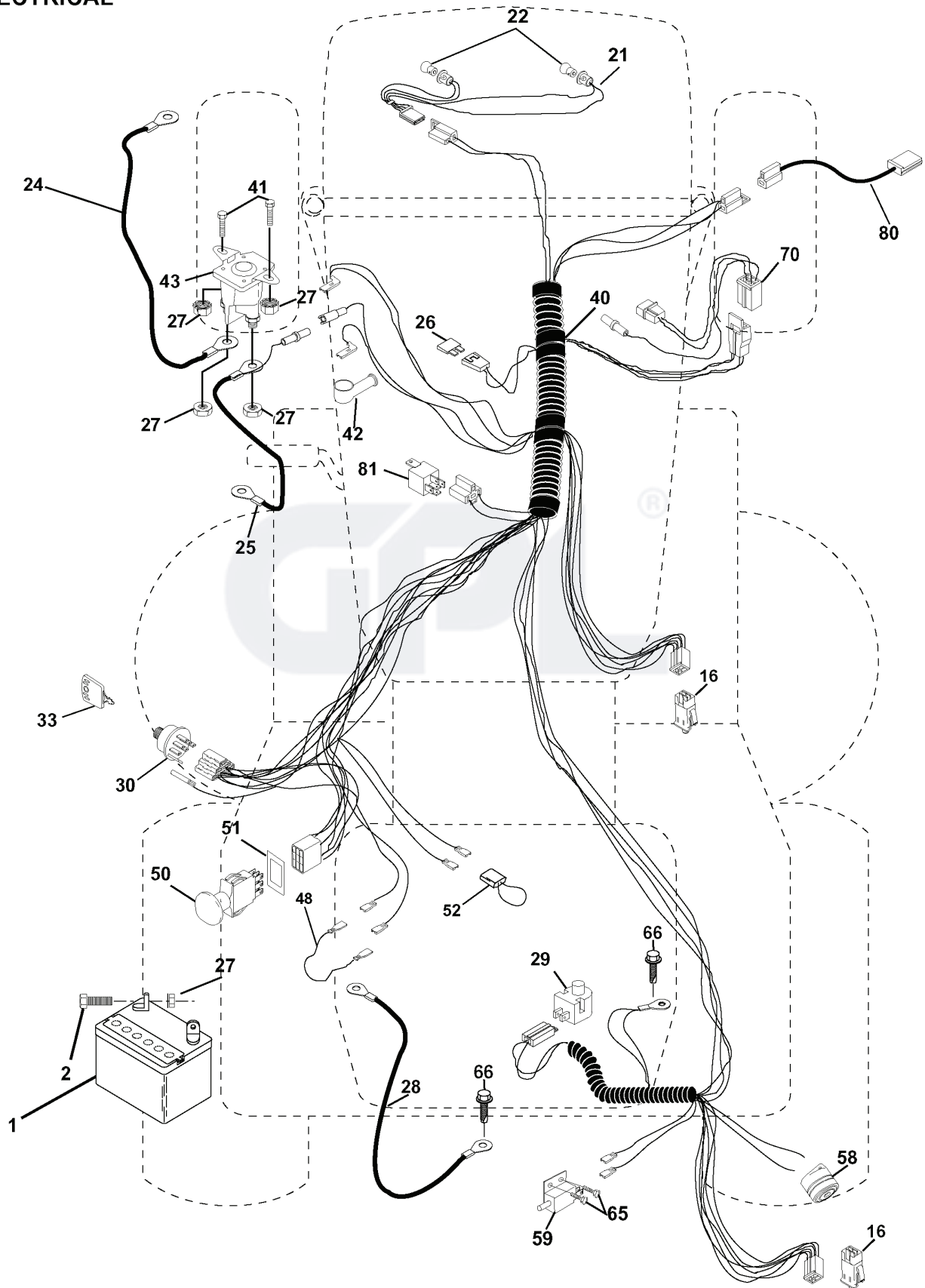
REF.	PART NO.	DESCRIPTION	REMARK	QTY.	KIT
3	532143995	PULLEY		1	
8	532165619	ROD		1	
9	532169992	CLUTCH		1	
10	876020416	SPLIT PIN		1	
14	810040400	WASHER		1	
16	873800500	LOCK NUT		1	
18	874780616	BOLT		1	
19	873800600	NUT		1	
20	532150280	SCREW		1	
21	532130564	HANDLE		1	
22	532165688	ROD		1	
23	532170171	BRACKET		1	
24	873350600	NUT		1	
25	532106888	SPRING		1	
26	819131316	WASHER		1	
27	876020412	SPLIT PIN		1	
28	532145204	ROD		1	
29	532071673	COVER		1	
30	532169592	BRACKET		1	
32	874760512	BOLT		1	
33	872140506	BOLT		1	
34	532165496	SHAFT		1	
35	532120183	BEARING		1	
36	819211616	WASHER		1	
38	532165936	PULLEY		1	
39	872110622	BOLT		1	
40	532124965	SPACER		1	
42	819131312	WASHER		1	
47	532127783	PULLEY		1	
48	532154407	GUIDE		1	
49	532123205	BELT GUIDE		1	
50	874760624	BOLT		1	
51	873680600	NUT		1	
52	873680500	NUT		1	
53	532105710	LINK		1	
55	532105709	SPRING		1	
56	874760620	BOLT		1	
57	531008021	BELT		1	
61	817060612	SCREW		1	
62	532124872	PEDAL RUBBER		1	
63	532145868	PULLEY		1	
65	810040700	WASHER		1	
66	532154778	TENSIONER		1	
71	532140158	BRACKET		1	
73	532156347	STROP		1	
74	532121199	SPACER		1	
75	532121749	WASHER		1	
76	812000001	RETAINER RING		1	
77	532123583	KEY		1	
81	532165585	SHAFT		1	
82	532123782	TORSION SPRING		1	
83	819171216	WASHER		1	
84	532165629	LINK		1	
94	532140462	FAN		1	
95	532165935	LEVER		1	
96	532124788	RETAINER RING		1	
102	532141322	WASHER		1	
103	873940800	NUT		1	
104	532140156	LEVER		1	
105	871070516	SCREW		1	
144	819111016	WASHER		1	
145	874490540	BOLT		1	
146	874490536	BOLT		1	
147	874490524	BOLT		1	
150	532165850	BUSHING		1	
151	819133210	WASHER		1	
153	874760516	BOLT		1	
156	532166002	WASHER		1	
157	532153236	SCREW		1	
158	532165589	BRACKET		1	
159	532165494	LEVER		1	
160	819292016	WASHER		1	
161	872140406	BOLT		1	
162	873680400	NUT		1	
163	874780416	BOLT		1	
164	819091010	WASHER		1	
165	532165623	BRACKET		1	
166	532166880	SCREW		1	

REF.	PART NO.	DESCRIPTION	REMARK	QTY.	KIT
167	532165588	BRACKET		1	
168	532165492	BOLT		1	
169	532165580	RETAINER		1	
171	817490608	SCREW		1	
172	532165587	SHAFT PIVOT		1	
173	532165934	BRACKET		1	
174	810090400	WASHER		1	
175	532165931	SPRING		1	
176	819070816	WASHER		1	
177	532165932	HOLDER		1	
178	532165933	HOLDER		1	
179	532120958	WASHER		1	
180	532165630	PULLEY		1	
181	532165797	BRACKET		1	
182	532165634	HOLDER		1	
183	532165626	PULLEY		1	
184	817490644	SCREW		1	
185	532165541	LINK		1	
186	532165614	HUB		1	
187	817490620	SCREW		1	
188	532110436	GROMMET		1	
202	872110612	BOLT		1	



REPAIR PARTS

TRACTOR- -MODEL NO. ICT18A (JICTH18A), PRODUCT NO. 954 13 00-43
ELECTRICAL

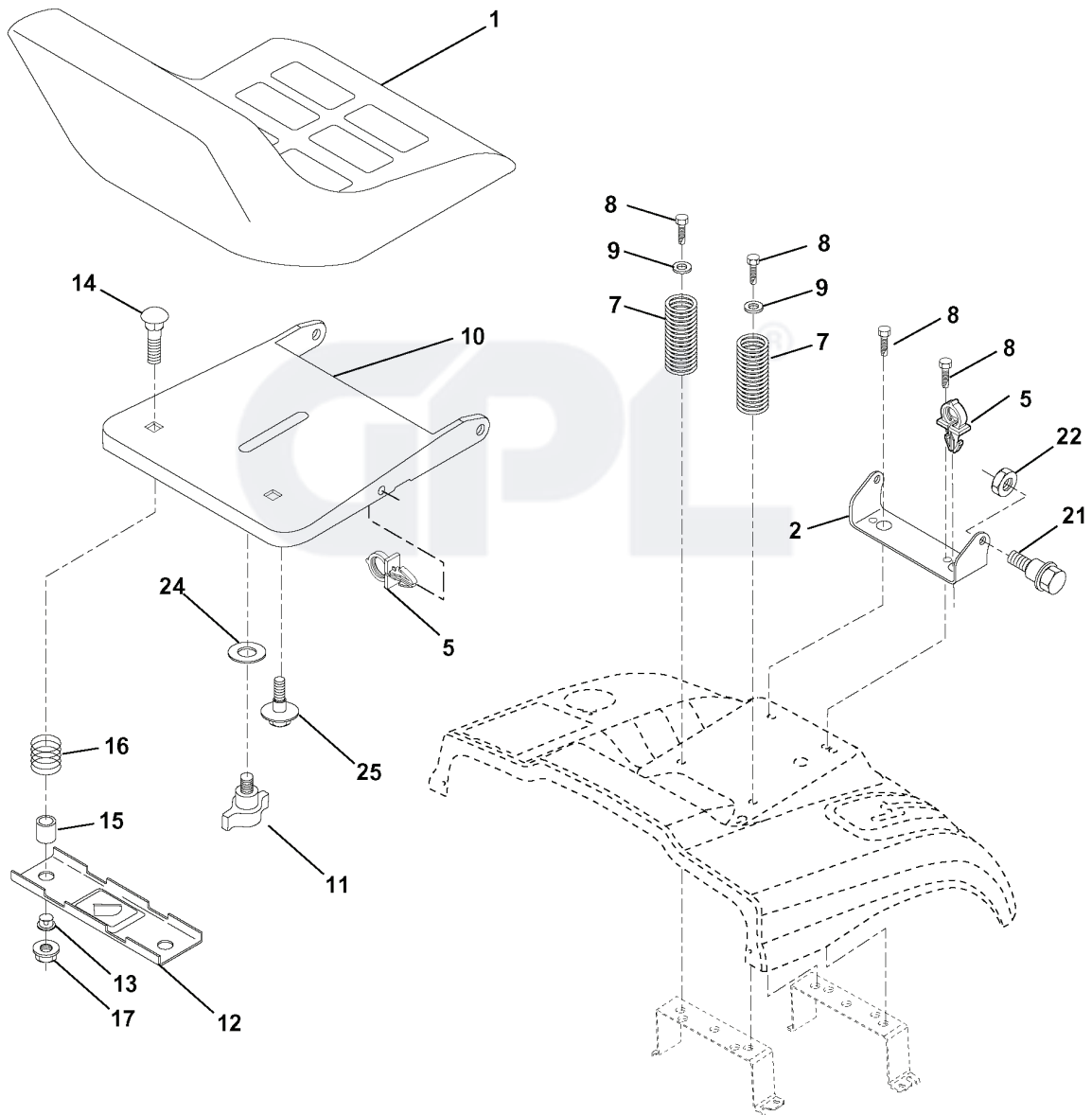


REF.	PART NO.	DESCRIPTION	REMARK	QTY.	KIT
1	532144927	BATTERY		1	
2	874760412	BOLT		1	
16	532153664	SWITCH		1	
21	532166182	CABLE ASSY		1	
22	532004152	BULB		1	
24	532124780	CABLE		1	
25	532165987	CABLE		1	
26	532166180	FUSE		1	
27	873510400	NUT		1	
28	532127725	CABLE		1	
29	532160784	SWITCH		1	
30	532163968	IGNITION SWITCH		1	
33	532140401	KEY		1	
40	532170214	CABLE ASSY		1	
41	871110408	BOLT		1	
42	532131563	COVER		1	
43	532145673	SOLENOID		1	
48	532140844	ADAPTER		1	
50	532169416	BRAKER		1	
51	532140405	FRAME		1	
52	532141940	WIRE		1	
58	532169419	BUZZER		1	
59	532166299	SWITCH		1	
65	817211008	SCREW		1	
66	817490608	SCREW		1	
70	532170247	CABLE ASSY		1	
80	532146685	CABLE ASSY		1	
81	532109748	RELAY		1	



REPAIR PARTS

TRACTOR- -MODEL NO. ICT18A (JICTH18A), PRODUCT NO. 954 13 00-43
SEAT ASSEMBLY

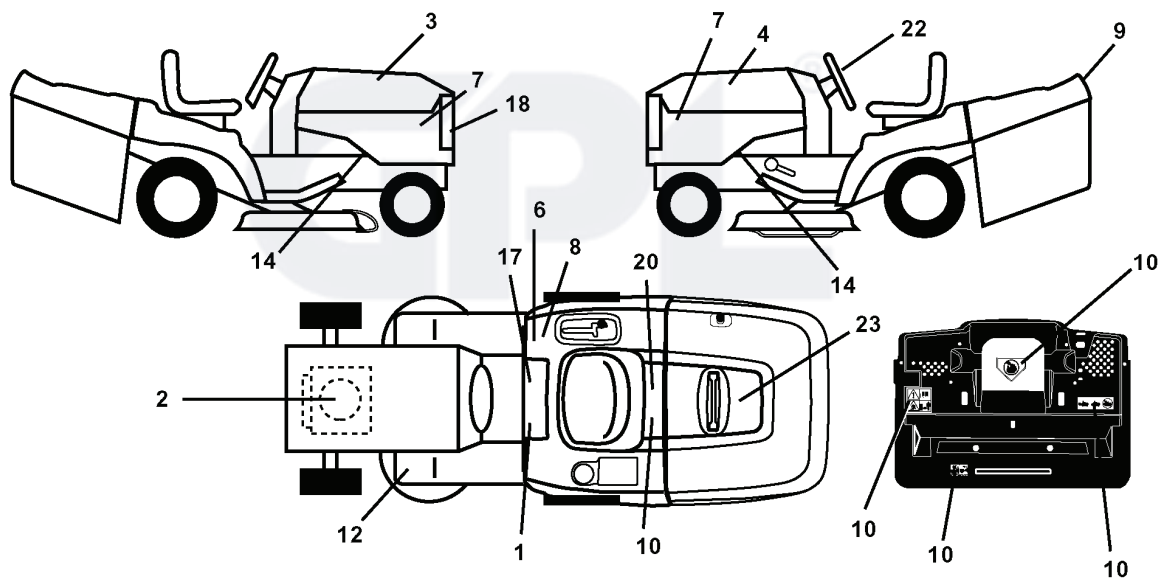


REF.	PART NO.	DESCRIPTION	REMARK	QTY.	KIT
1	532140118	SEAT		1	
2	532140551	BRACKET		1	
5	532145006	CLIP		1	
7	532124181	SPRING		1	
8	817000616	SCREW		1	
9	819131614	WASHER		1	
10	532155925	BRACKET		1	
11	532166369	WING NUT		1	
12	532121246	BRACKET		1	
13	532121248	BUSHING		1	
14	872050412	BOLT		1	
15	532121249	SPACER		1	
16	532123740	SPRING		1	
17	532123976	LOCKNUT		1	
21	532171852	BOLT		1	
22	873800500	LOCK NUT		1	
24	819171912	WASHER		1	
25	532127018	BOLT		1	



REPAIR PARTS

TRACTOR- -MODEL NO. ICT18A (JICTH18A), PRODUCT NO. 954 13 00-43
DECALS

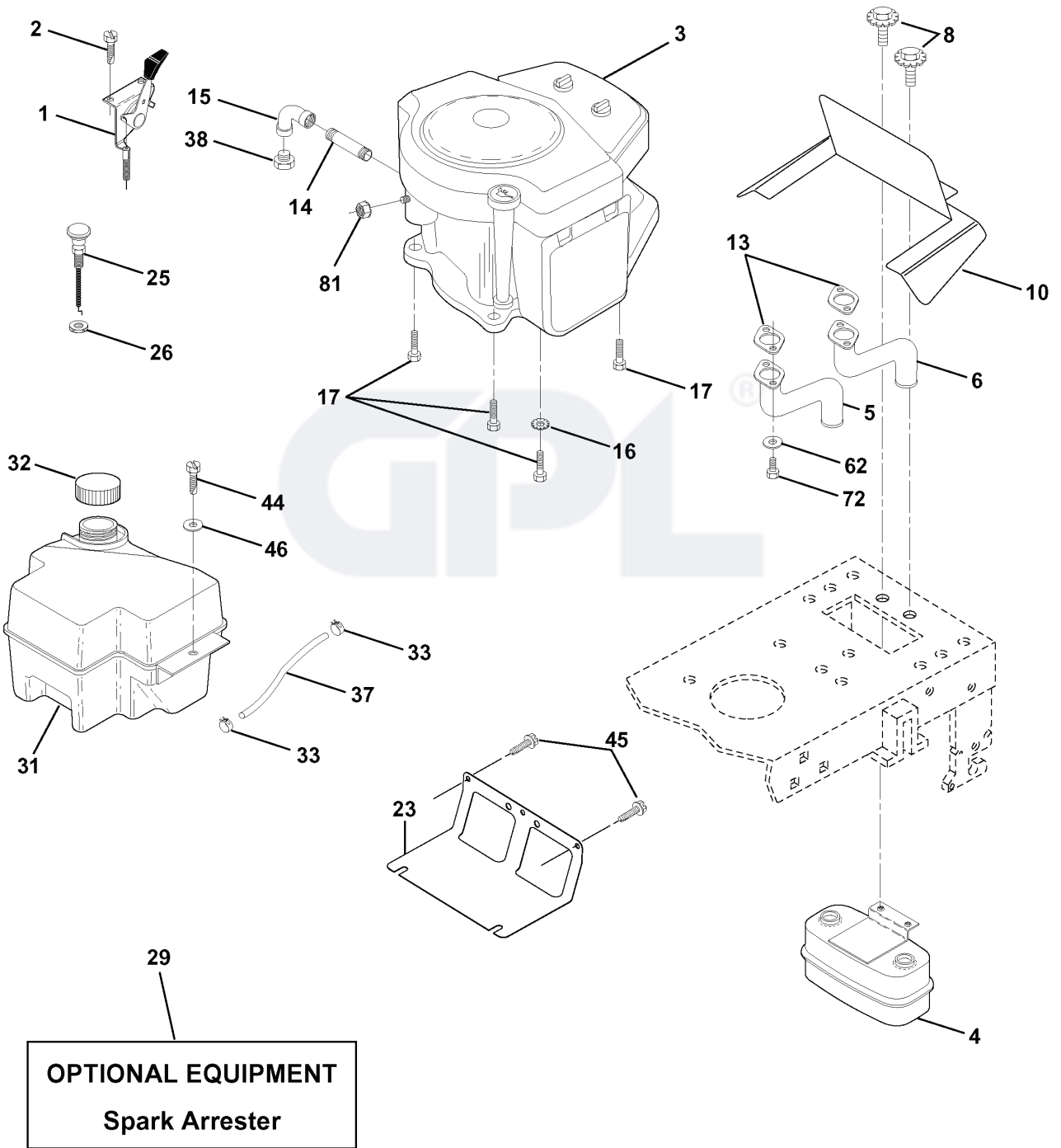


REF.	PART NO.	DESCRIPTION	REMARK	QTY.	KIT
1	532145498	DECAL		1	
2	532170850	DECAL		1	
3	532170535	DECAL		1	
4	532170536	DECAL		1	
6	532126187	DECAL		1	
7	532162927	DECAL		1	
8	532145437	DECAL		1	
9	532141761	DECAL		1	
10	532145005	DECAL		1	
11	532145494	DECAL		1	
12	532159737	DECAL		1	
13	532166959	DECAL		1	
14	532159736	DECAL		1	
15	532166961	DECAL		1	
16	532162598	DECAL		1	
17	532140837	DECAL		1	
18	532152262	DECAL		1	
20	532166960	DECAL		1	
21	532166286	DECAL		1	
22	532170565	DECAL		1	
23	532170564	DECAL		1	
--	532138311	DECAL		1	
--	532171237	PLATE		1	
--	532171579	OPERATORS MANUAL		1	
--	532171580			1	



REPAIR PARTS

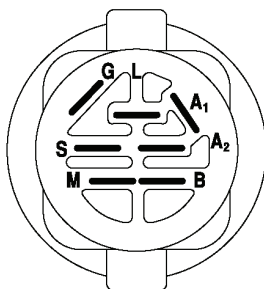
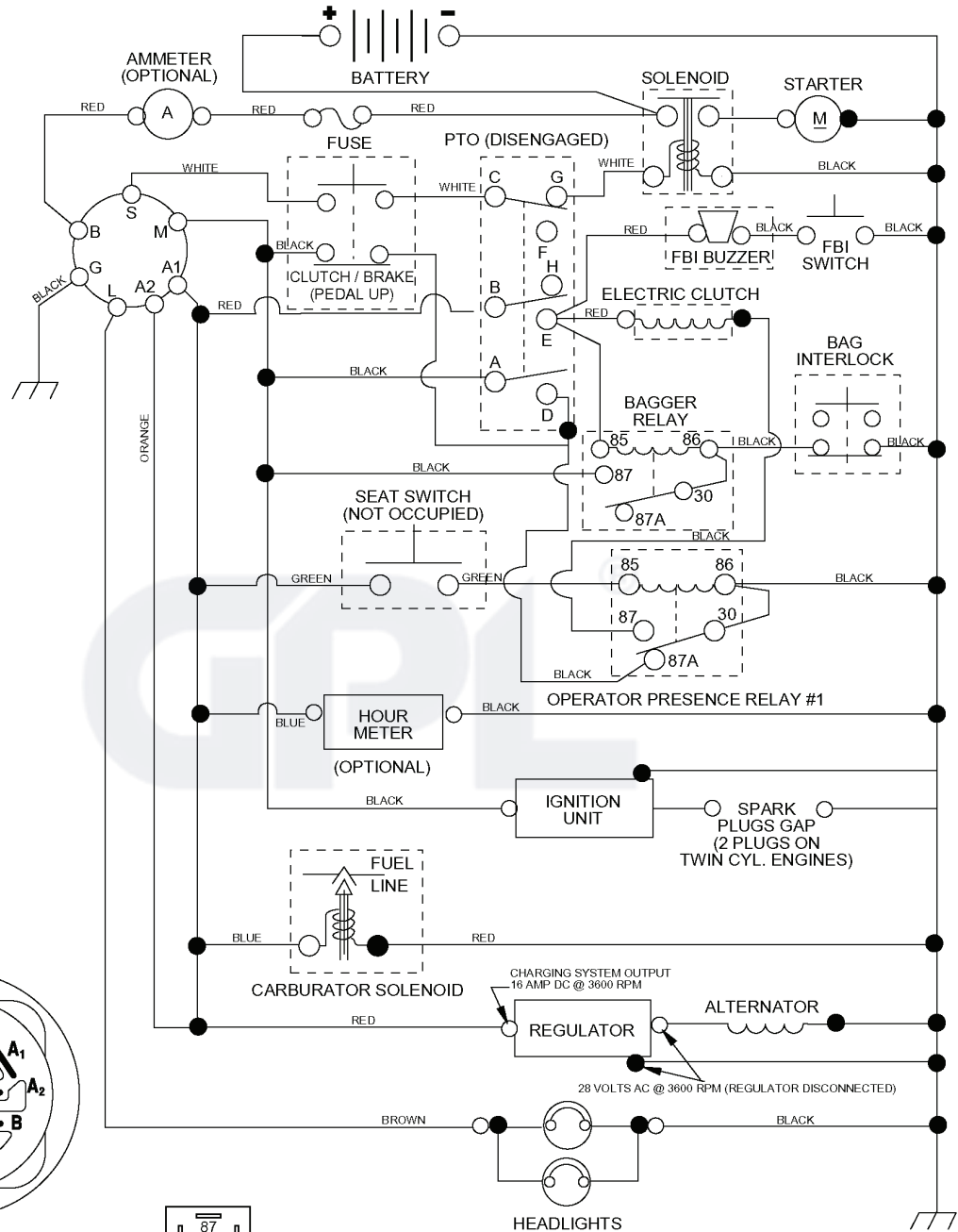
TRACTOR- -MODEL NO. ICT18A (JICTH18A), PRODUCT NO. 954 13 00-43
ENGINE



REF.	PART NO.	DESCRIPTION	REMARK	QTY.	KIT
1	532148875	THROTTLE TRIGGER		1	
2	817720410	SCREW		1	
4	532149723	MUFFLER		1	
5	532159955	TUBE		1	
6	532160589	TUBE		1	
8	532150176	BOLT		1	
10	532162797	SHIELD		1	
13	532165391	GASKET		1	
14	813280336	PIPE		1	
15	813200300	ELBOW		1	
16	811050600	WASHER		1	
17	817490624	SCREW		1	
23	532169837	HEAT SHIELD		1	
25	532145996	CHOKE CONTROL		1	
26	873920600	NUT		1	
29	532137180	SPARK ARRESTER KIT		1	
31	532161911	TANK		1	
32	532140527	FUEL CAP		1	
33	532123487	HOSE CLAMP		1	
37	532137040	HOSE		1	
44	817490412	SCREW		1	
45	817000612	SCREW		1	
46	819091416	WASHER		1	
62	810040500	WASHER		1	
72	871070512	BOLT		1	
81	873510400	NUT		1	



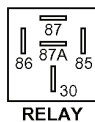
TRACTOR- -MODEL NO. ICT18A (JICTH18A), PRODUCT NO. 954 13 00-43 SCHEMATIC



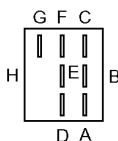
IGNITION SWITCH

POSITION	CIRCUIT	"MAKE"
OFF	M+G+A1	NONE
RUN/LIGHT	B+A1	A2+L
RUN	B+A1	NONE
START	B + S + A1	NONE

WIRING INSULATED CLIPS
NOTE: IF WIRING INSULATED CLIPS WERE REMOVED FOR SERVICING OF UNIT, THEY SHOULD BE REPLACED TO PROPERLY SECURE YOUR WIRING.



RELAY



PTO SWITCH

POSITION	CIRCUIT
OFF	C + G, B + H
ON	C + F, B + E, A + D

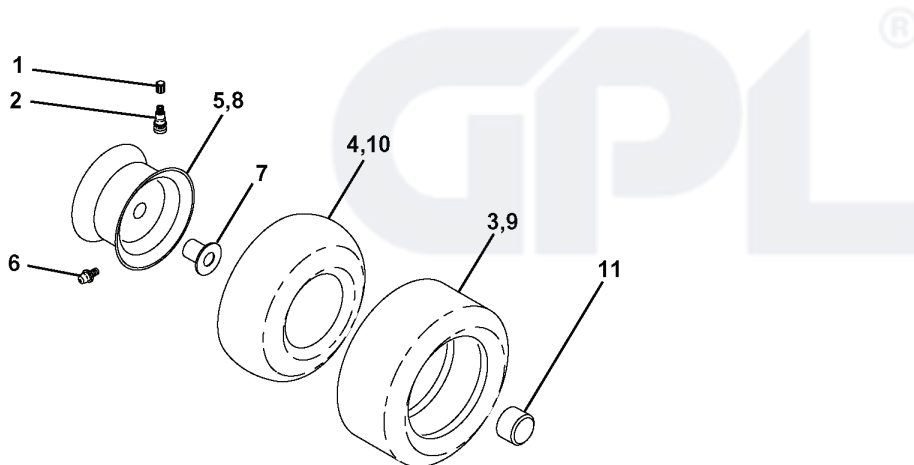
●
NON-REMOVABLE CONNECTIONS

○
REMOVABLE CONNECTIONS

REPAIR PARTS

TRACTOR- -MODEL NO. ICT18A (JICTH18A), PRODUCT NO. 954 13 00-43

WHEELS & TIRES

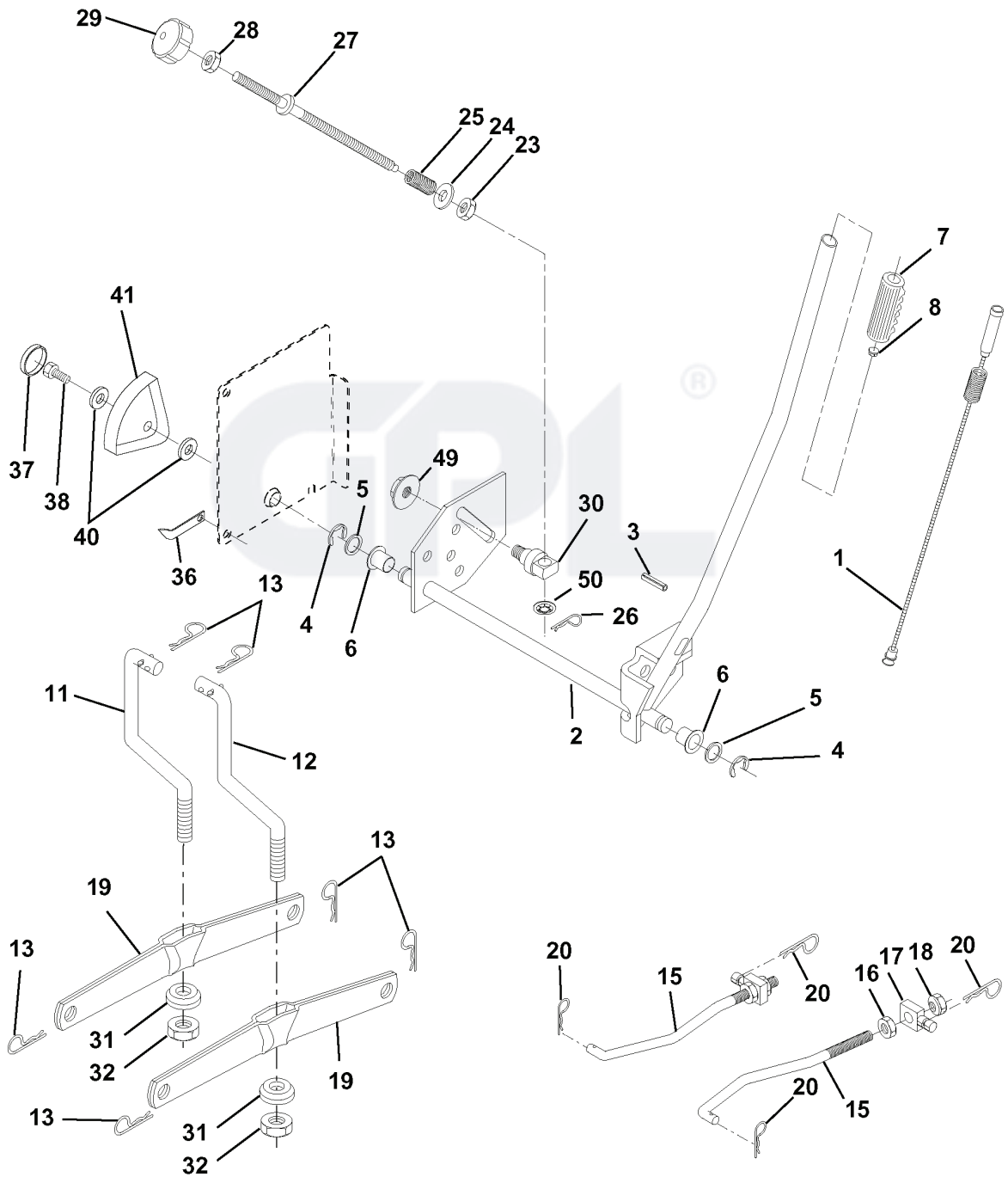


REF.	PART NO.	DESCRIPTION	REMARK	QTY.	KIT
1	532059192	CAP VALVE		1	
2	532065139	NIPPLE		1	
3	532106222	TIRE		1	
4	532059904	HOSE		1	
5	532138336	RIM		1	
6	532124957	FITTING		1	
7	532124959	BEARING		1	
8	532138337	RIM SPROCKET		1	
9	532138468	TIRE		1	
10	532124926	HOSE		1	
11	532104757	HUB CAP		1	
--	532144334	SEALING FOAM		1	

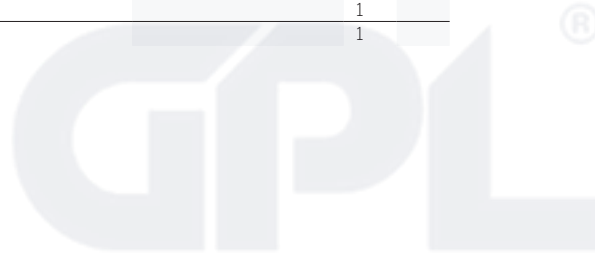


REPAIR PARTS

TRACTOR- -MODEL NO. ICT18A (JICTH18A), PRODUCT NO. 954 13 00-43
MOWER LIFT

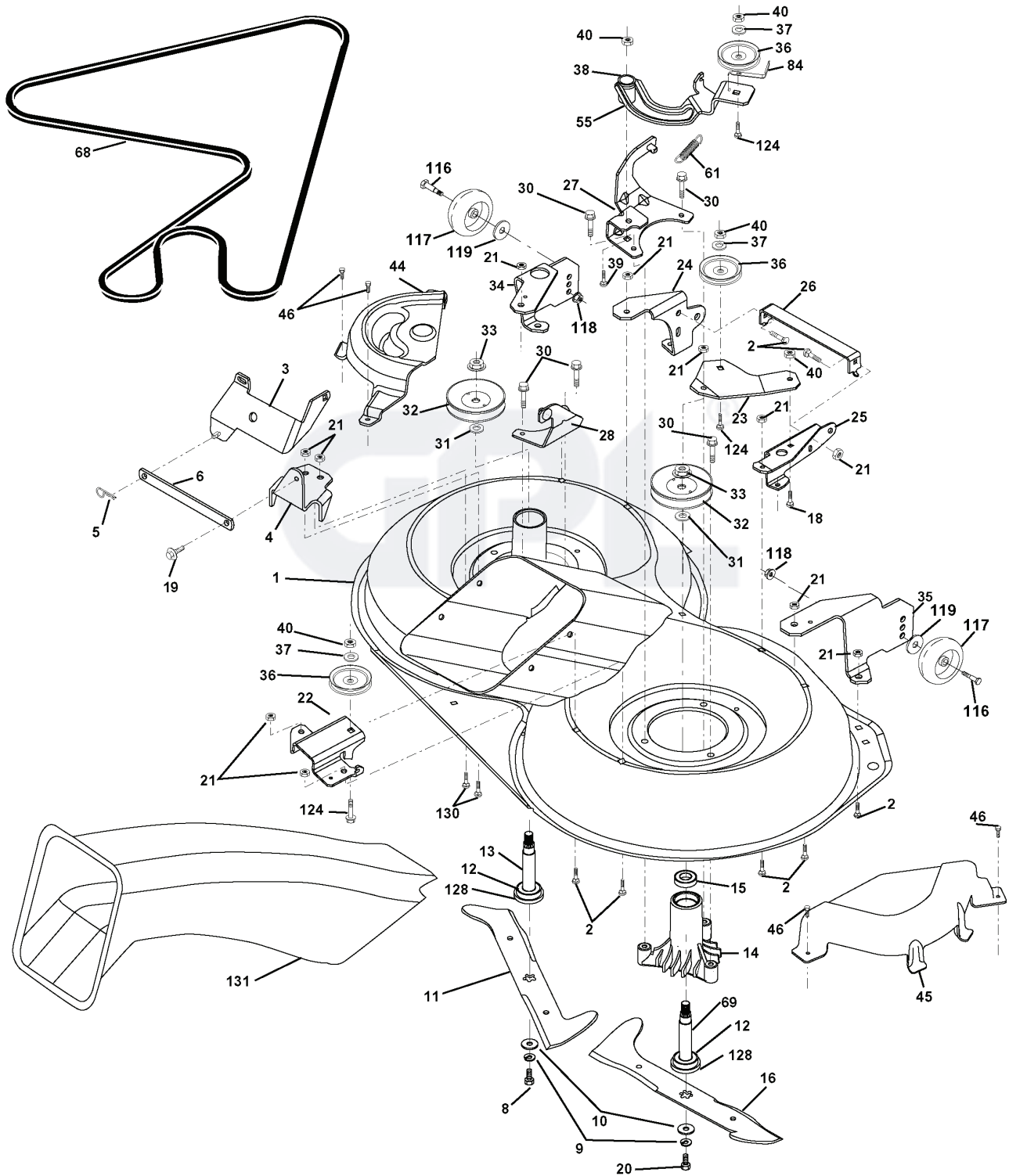


REF.	PART NO.	DESCRIPTION	REMARK	QTY.	KIT
1	532159460	WIRE		1	
2	532159471	LEVER		1	
3	532105767	PIN RETAINING SCREW		1	
4	812000002	RETAINER RING		1	
5	819211621	WASHER		1	
6	532120183	BEARING		1	
7	532125631	HANDLE		1	
8	532124526	KNOB		1	
11	532165829	ROD		1	
12	532165831	ROD		1	
13	532124670	RETAINER RING		1	
15	532167253	LINK		1	
16	873350800	NUT		1	
17	532130171	BRACKET		1	
18	873800800	NUT		1	
19	532139868	LEVER		1	
20	532163552	CLIP		1	
23	532110807	NUT		1	
24	819131016	WASHER		1	
25	532124874	SPRING		1	
26	532169484	PIN		1	
27	532126971	LEVER		1	
28	873350600	NUT		1	
29	532138057	KNOB		1	
30	532150233	TRUNNION		1	
31	532140302	BEARING		1	
32	873540600	NUT		1	
36	532155097	INDICATOR		1	
37	532123935	PLUG		1	
38	817060516	SCREW		1	
40	819112410	WASHER		1	
41	532123934	INDICATOR		1	
49	532145212	NUT		1	
50	532110452	NUT		1	



REPAIR PARTS

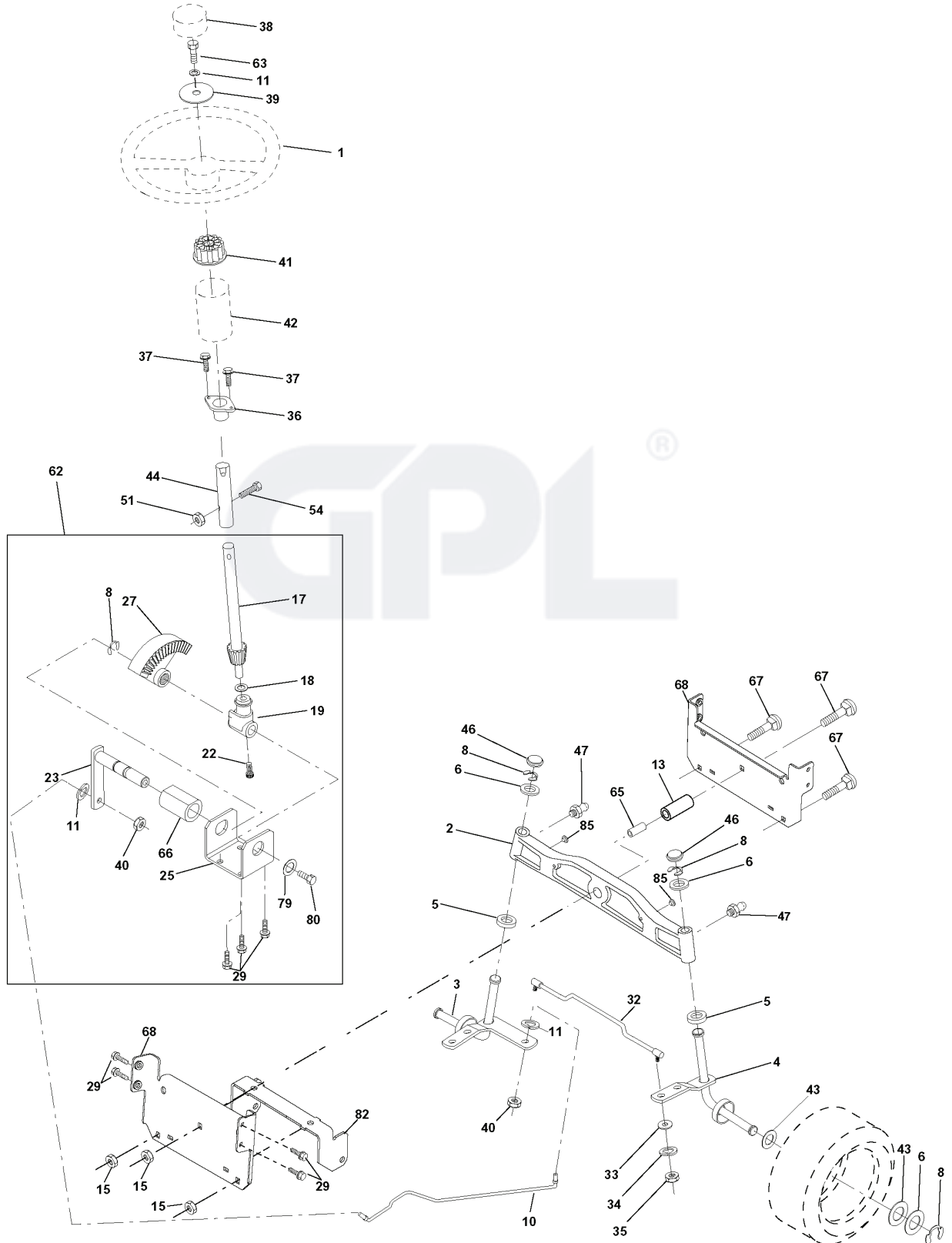
TRACTOR- -MODEL NO. ICT18A (JICTH18A), PRODUCT NO. 954 13 00-43
MOWER



REF.	PART NO.	DESCRIPTION	REMARK	QTY.	KIT
1	532169160	HOUSING		1	
2	872140506	BOLT		1	
3	532165569	BRACKET		1	
4	532169167	BRACKET		1	
5	532124670	RETAINER RING		1	
6	532165557	ROD		1	
8	532850857	BOLT		1	
9	810030600	WASHER		1	
10	532140296	WASHER		1	
11	532168720	BLADE		1	
12	532129895	BEARING		1	
13	532137645	SHAFT		1	
14	532128774	BEARING HOUSING		1	
15	532110485	BEARING		1	
16	532168721	BLADE		1	
18	872110608	BOLT		1	
19	532132827	SPEC. BOLT		1	
20	532165484	BOLT		1	
21	873680500	NUT		1	
22	532169165	BRACKET		1	
23	532169166	BRACKET		1	
24	532169170	BRACKET		1	
25	532169171	BRACKET		1	
26	532165237	ROD		1	
27	532169172	BRACKET		1	
28	532169168	BRACKET		1	
30	532157722	SCREW		1	
31	532129963	WASHER		1	
32	532153535	PULLEY		1	
33	532137266	NUT		1	
34	532169174	BRACKET		1	
35	532169175	BRACKET		1	
36	532146763	PULLEY		1	
37	819131316	WASHER		1	
38	532169851	SPACER		1	
39	872110622	BOLT		1	
40	873680600	NUT		1	
44	532169180	COVER		1	
45	532169179	COVER		1	
46	532137729	SCREW		1	
55	532169849	LEVER		1	
61	532165945	SPRING		1	
67	532106932	KNOB		1	
68	532169178	BELT		1	
69	532165482	SHAFT		1	
84	532156085	BELT GUIDE		1	
116	532137644	SCREW		1	
117	532133957	WHEEL		1	
118	873930600	NUT		1	
119	819121414	WASHER		1	
124	872110612	BOLT		1	
128	532153390	GASKET		1	
130	872110506	BOLT		1	
131	532165661	PIPE		1	
--	532130794	MANDREL		1	
--	532165579	SPINDLE		1	
--	532170273	HOUSING		1	

REPAIR PARTS

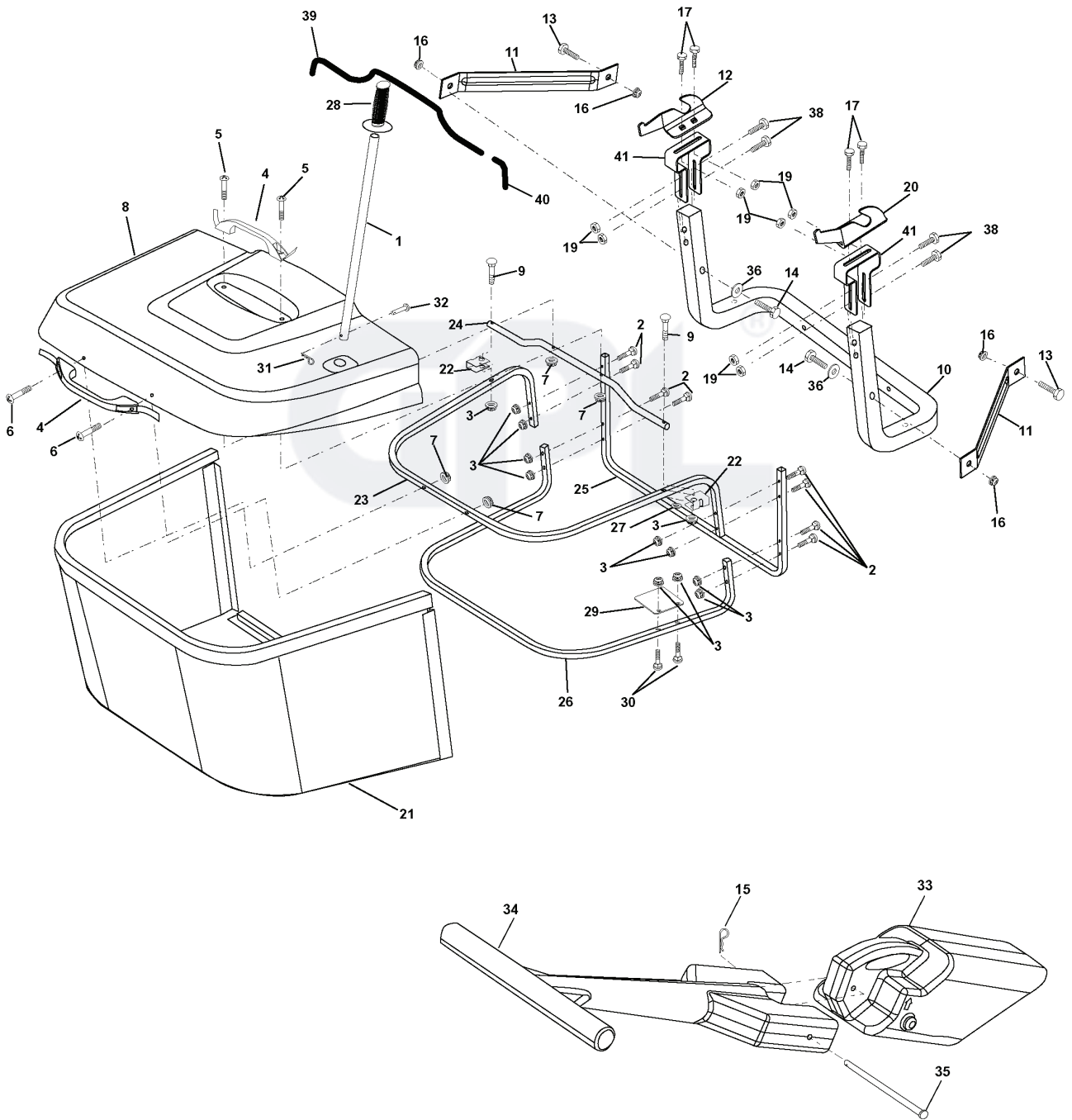
TRACTOR- -MODEL NO. ICT18A (JICTH18A), PRODUCT NO. 954 13 00-43
STEERING ASSEMBLY



REF.	PART NO.	DESCRIPTION	REMARK	QTY.	KIT
1	532172092	STEERING WHEEL		1	
2	532165854	SHAFT		1	
3	532169840	SPINDLE		1	
4	532169839	SPINDLE		1	
5	532124931	WASHER		1	
6	532121748	WASHER		1	
7	819272016	WASHER		1	
8	812000029	RETAINER RING		1	
10	532169832	ROD		1	
11	810040600	WASHER		1	
13	532136518	PIPE		1	
15	532145212	NUT		1	
17	532156546	SHAFT		1	
18	532057079	WASHER		1	
19	532160395	SUPPORT		1	
22	532165857	SCREW		1	
23	532165851	LINK		1	
25	532154406	BRACKET		1	
27	532136874	ECCENTRIC DISC		1	
29	817060612	SCREW		1	
32	532170162	ROD		1	
33	819111216	WASHER		1	
34	810040500	WASHER		1	
35	873810500	NUT		1	
36	532155099	BUSHING		1	
37	532152927	SCREW		1	
38	532172093	COVER		1	
39	819132411	WASHER		1	
40	532124701	NUT		1	
41	532159945	ADAPTER		1	
42	532169633	SLEEVE		1	
43	532121749	WASHER		1	
44	532153720	STEERING PINION		1	
46	532121232	HUB CAP		1	
47	532124836	NIPPLE		1	
51	873800500	LOCK NUT		1	
54	874780520	BOLT		1	
62	532167902	GUIDE.CPL		1	
63	874780616	BOLT		1	
65	532160367	SPACER		1	
66	532154404	BUSHING		1	
67	872140618	BOLT		1	
68	532169827	SHAFT		1	
79	819132012	WASHER		1	
80	874950612	BOLT		1	
82	532169835	BRACKET		1	
85	532133835	XMAS TREE FASTNER		1	

REPAIR PARTS

TRACTOR- -MODEL NO. ICT18A (JICTH18A), PRODUCT NO. 954 13 00-43
BAGGER



REF.	PART NO.	DESCRIPTION	REMARK	QTY.	KIT
1	532165249	ROD		1	
2	872140416	BOLT		1	
3	532123976	LOCKNUT		1	
4	532169916	HANDLE		1	
5	874981024	SCREW		1	
6	874981032	SCREW		1	
7	873401000	NUT		1	
8	532168871	COVER		1	
9	872140418	BOLT		1	
10	532169688	FRAME		1	
11	532165719	ROD		1	
12	532169685	BRACKET		1	
13	872110606	BOLT		1	
14	874520640	BOLT		1	
15	532124670	RETAINER RING		1	
16	873900600	NUT		1	
17	872140506	BOLT		1	
18	819111216	WASHER		1	
19	873800500	LOCK NUT		1	
20	532169684	BRACKET		1	
21	532165780	BAG		1	
22	532165781	CLAMP		1	
23	532165782	FRAME		1	
24	532165783	FRAME		1	
25	532165784	FRAME		1	
26	532165785	FRAME		1	
27	532169692	BUSHING		1	
28	532165787	HANDLE		1	
29	532165839	STOP		1	
30	872140410	BOLT		1	
31	532124788	RETAINER RING		1	
32	532126875	RIVET		1	
33	532169380	PLUG		1	
34	532165570	HANDLE		1	
35	532165572	PIN RETAINING SCREW		1	
36	819132016	WASHER		1	
38	872010520	BOLT		1	
39	532169999	SEALING		1	
40	532170000	SEALING		1	
41	532169683	BRACKET		1	
	PART NO.		REMARK		KIT

