

LT2218 A2

Spare parts

Ersatzteile

Pièces détachées

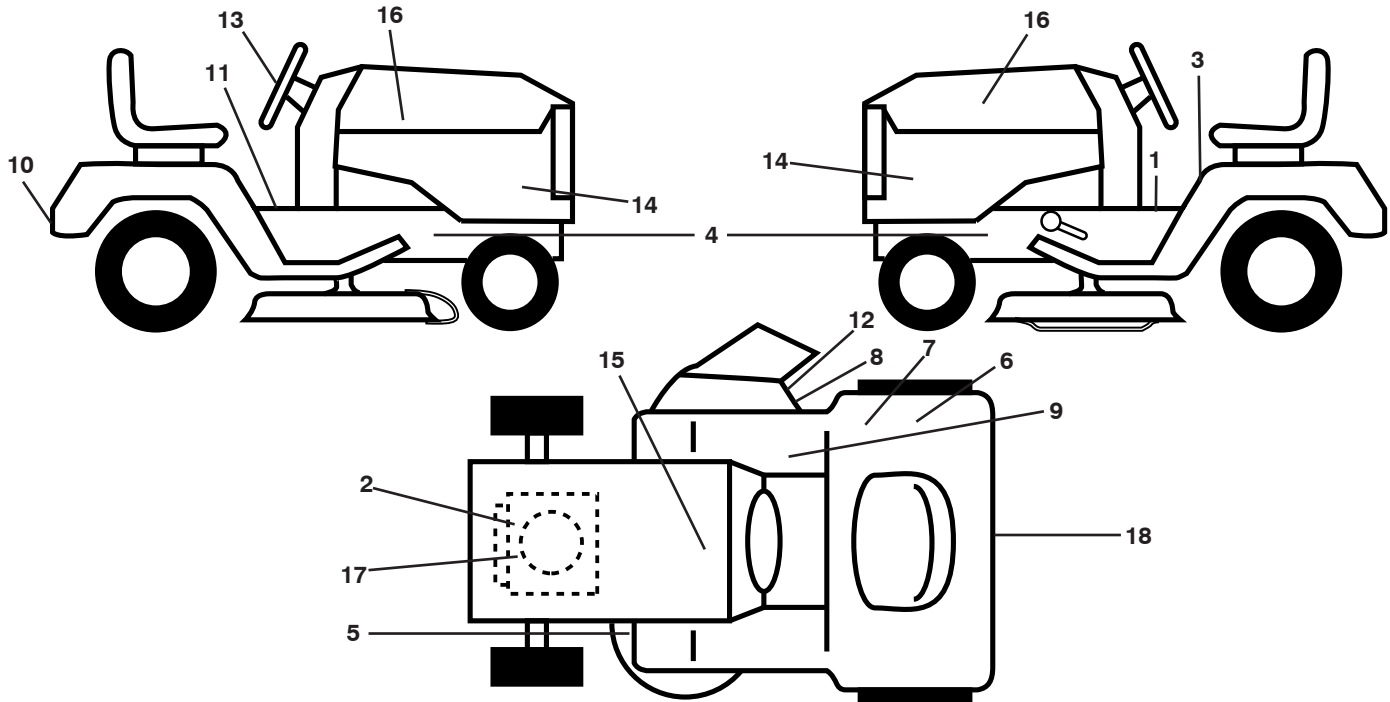
Reserve onderdelen

Repuestos

Reservdelar

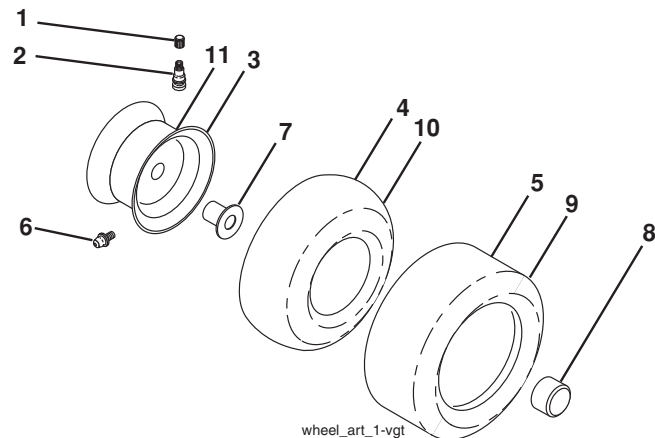


**TRACTOR - MODEL NO. LT2218 A2 (96041005901), PRODUCT NO. 960 41 00-59
DECALS**



| KEY NO. | PART NO. | DESCRIPTION | KEY NO. | PART NO. | DESCRIPTION |
|---------|--------------|------------------------|---------|---------------------|-------------------------------|
| 1 | 532 14 08-37 | Decal, Saddle | 12 | 532 18 21-66 | Decal, Cutfinger |
| 2 | 532 19 68-41 | Decal, Warn. Eng. Sym. | 13 | 532 18 57-73 | Decal, Steering Whl |
| 3 | 532 40 03-89 | Decal, Warn. Sym. | 14 | 532 40 93-72 | Decal, Panel Side |
| 4 | 532 15 97-36 | Decal, Chassis Hot | 15 | 532 14 50-05 | Decal, Decal, Battery Dan/Poi |
| 5 | 532 16 03-96 | Decal, Caution | 16 | 532 18 95-53 | Decal, Hood Logo |
| 6 | 532 16 88-69 | Decal, Tick Mark | 17 | 532 41 64-73 | Decal, Engine HP |
| 7 | 532 12 44-33 | Decal, 80 DBA | 18 | 532 18 39-30 | Decal, Fender Logo |
| 8 | 532 19 63-57 | Decal, Deflect | -- | 532 16 69-60 | Decal, Bypass |
| 9 | 532 17 83-02 | Decal, Oper. Cruise | -- | 532 41 19-03 | Pad, Footrest, LH |
| 10 | 532 16 25-98 | Decal, Drawbar | -- | 532 41 22-79 | Pad, Footrest, RH |
| 11 | 532 15 97-37 | Decal, Brake/Clutch | -- | 532 41 09-84 | Manual, Operator's (Eng) |

WHEELS AND TIRES

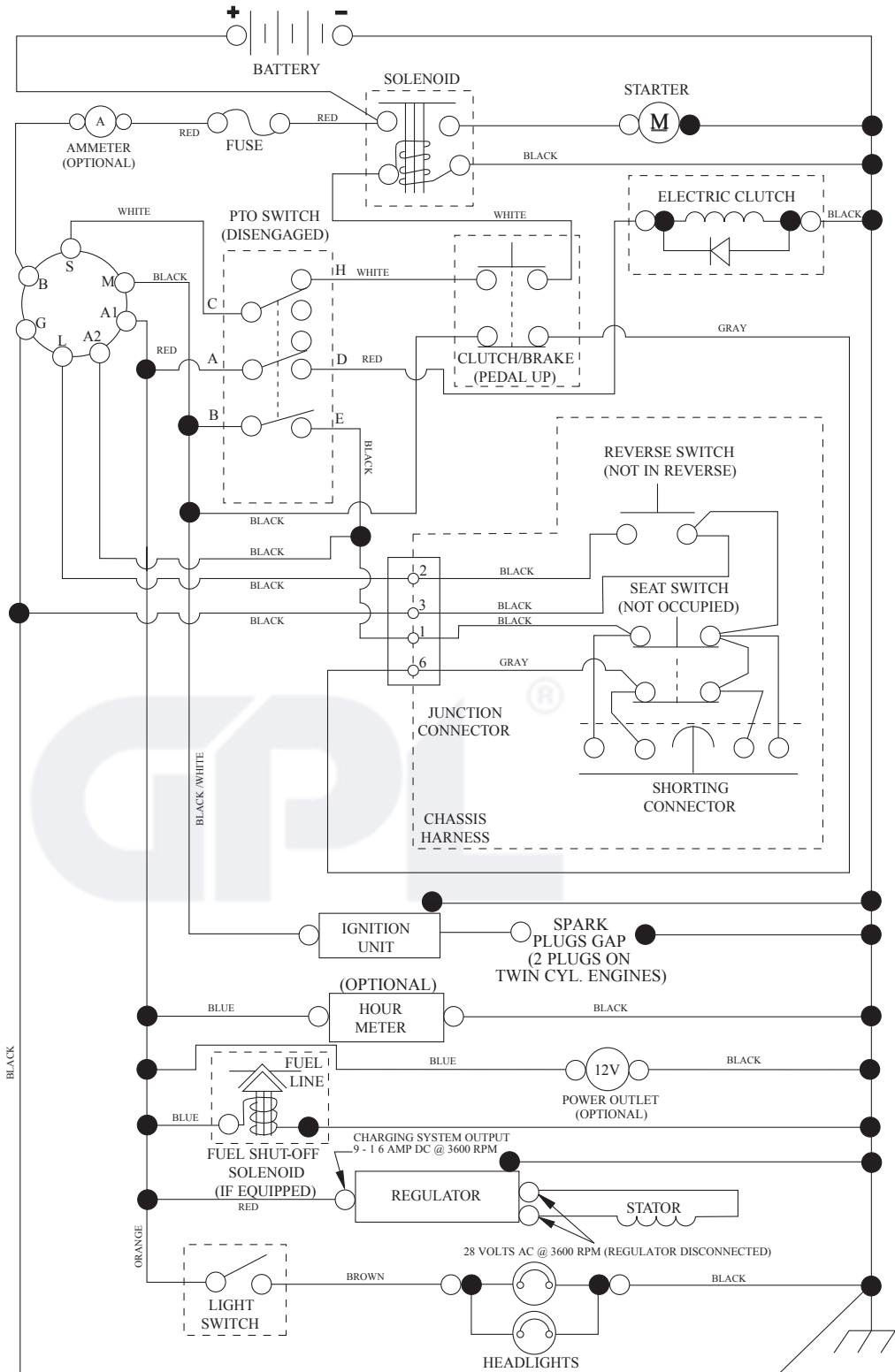


| KEY NO. | PART NO. | DESCRIPTION |
|---------|--------------|------------------------------------|
| 1 | 532 05 91-92 | Cap, Valve, Tire |
| 2 | 532 06 51-39 | Stem, Valve |
| 3 | 532 13 83-36 | Rim Assembly, Front |
| 4 | 532 05 99-04 | Tube, Front (Service Item Only) |
| 5 | 532 10 62-22 | Tire, Front |
| 6 | 532 12 49-57 | Fitting, Grease (Front Wheel Only) |
| 7 | 532 12 49-59 | Bearing, Flange (Front Wheel Only) |
| 8 | 532 17 50-39 | Cap, Axle (Front Wheel Only) |
| 9 | 532 12 20-82 | Tire, Rear |
| 10 | 532 12 49-26 | Tube, Rear (Service Item Only) |
| 11 | 532 13 83-37 | Rim Assembly, Rear |
| -- | 532 14 43-34 | Sealant, Tire (10 oz. Tube) |

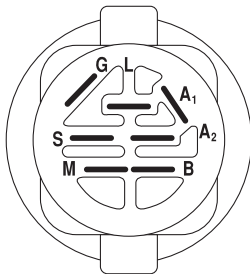
NOTE: All component dimensions given in U.S. inches
1 inch = 25.4 mm

TRACTOR - MODEL NO. LT2218 A2 (96041005901), PRODUCT NO. 960 41 00-59 SCHEMATIC

SCH12



PTO SWITCH
(MATING SIDE)

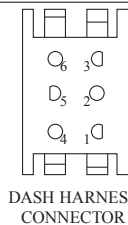


IGNITION SWITCH

| POSITION | CIRCUIT "MAKE" |
|--------------|----------------|
| OFF | M+G+A1 |
| RUN/OVERRIDE | B+A1 |
| RUN | B+A1 L+A2 |
| START | B+S+A1 |



CHASSIS HARNESS
CONNECTOR
(MATING SIDE)



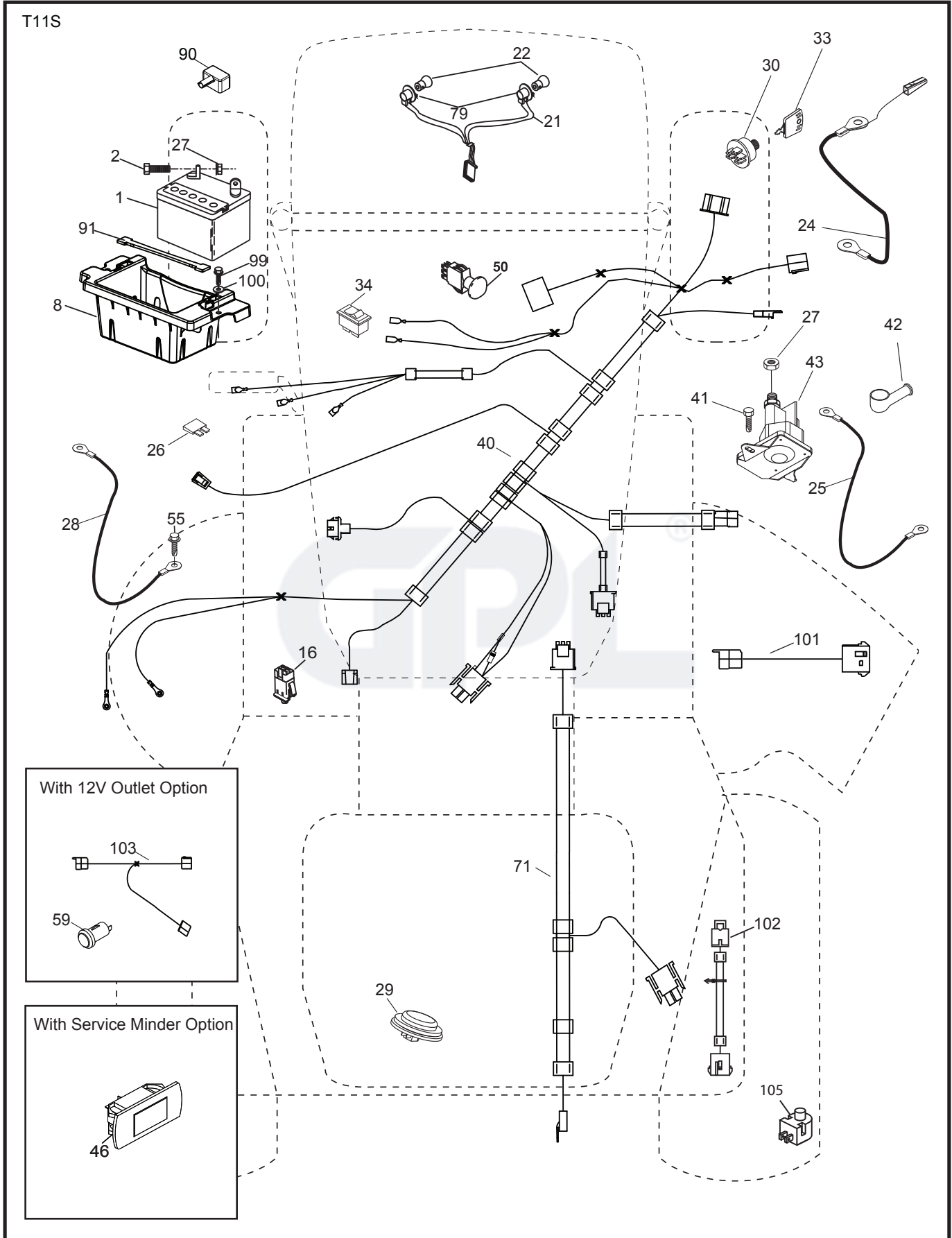
DASH HARNESS
CONNECTOR

WIRING INSULATED CLIPS
NOTE: IF WIRING INSULATED
CLIPS WERE REMOVED FOR
SERVICING OF UNIT, THEY
SHOULD BE RE-INSTALLED TO
PROPERLY SECURE YOUR
WIRING.

●
NON-REMOVABLE
CONNECTIONS

○
REMOVABLE
CONNECTIONS

**TRACTOR - MODEL NO. LT2218 A2 (96041005901), PRODUCT NO. 960 41 00-59
ELECTRICAL**

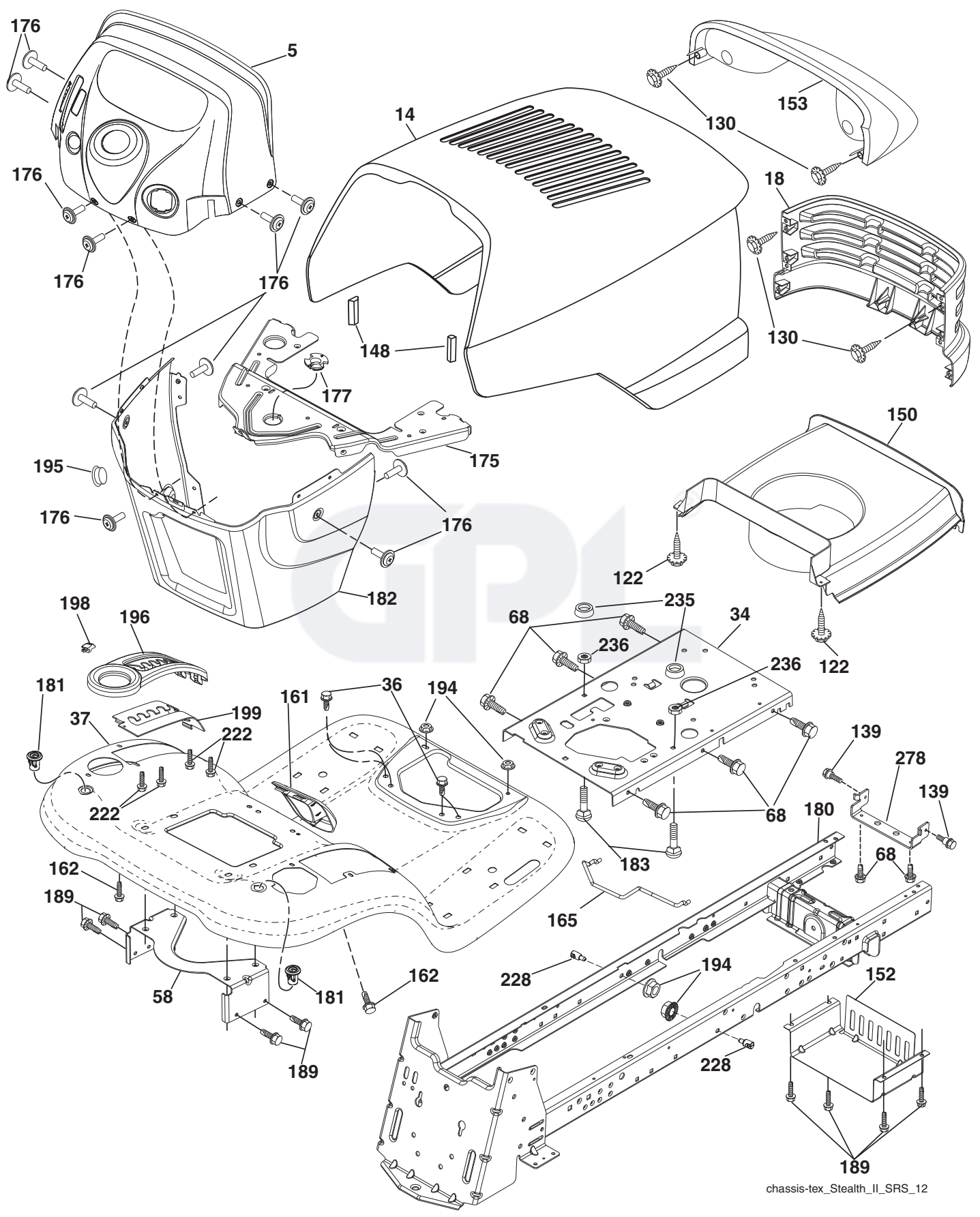


**TRACTOR - MODEL NO. LT2218 A2 (96041005901), PRODUCT NO. 960 41 00-59
ELECTRICAL**

| KEY NO. | PART NO. | DESCRIPTION |
|----------------|---------------------|----------------------------------|
| 1 | 532 14 49-27 | Battery |
| 2 | 874 76 04-12 | Bolt Hex Hd 1/4-20 unc x 3/4 |
| 8 | 532 18 64-91 | Battery Box |
| 16 | 532 17 61-38 | Switch Interlock |
| 21 | 532 17 56-88 | Harness Socket Light |
| 22 | 532 00 41-52 | Bulb, Light # 1156 |
| 24 | 532 40 02-53 | Cable Battery |
| 25 | 532 19 88-93 | Cable Starter |
| 26 | 532 17 51-58 | Fuse |
| 27 | 873 51 04-00 | Nut Keps Hex 1/4-20 unc |
| 28 | 532 14 54-91 | Cable Ground 21" Blk 6 Ga. |
| 29 | 532 40 15-45 | Switch Seat |
| 30 | 532 19 33-50 | Switch Ign |
| 33 | 532 41 19-33 | Key/Chain |
| 34 | 532 11 07-12 | Switch Light/Reset |
| 40 | 532 40 11-04 | Harness Dash |
| 41 | 817 72 04-08 | Screw Thd Cut 1/4-20 x 1/2 |
| 42 | 532 13 15-63 | Cover Terminal Red |
| 43 | 532 19 25-07 | Solenoid |
| 46 | 532 40 17-63 | Gauge Hourmeter |
| 50 | 532 17 46-51 | Switch PTO |
| 55 | 817 06 05-12 | Screw Thdrol 5/16-18 x 3/4 |
| 71 | 532 19 42-76 | Harness Chassis |
| 79 | 532 17 52-42 | Socket Asm Bulb Twistlock |
| 90 | 532 40 07-24 | Cover Terminal Battery |
| 91 | 532 19 02-70 | Strap Battery |
| 99 | 817 67 04-12 | Screw Hexwsh Thdrol 1/4-20 x 3/4 |
| 100 | 819 09 14-16 | Washer 9/32 x 7/8 x 16 Ga. |
| 101 | 532 19 83-17 | Pigtail Harness Clutch |
| 102 | 532 40 44-54 | Harness Pigtail |
| 105 | 532 40 75-68 | Switch Reverse TT Pedal Control |

NOTE: All component dimensions given in U.S. inches
1 inch = 25.4 mm

**TRACTOR - MODEL NO. LT2218 A2 (96041005901), PRODUCT NO. 960 41 00-59
CHASSIS**



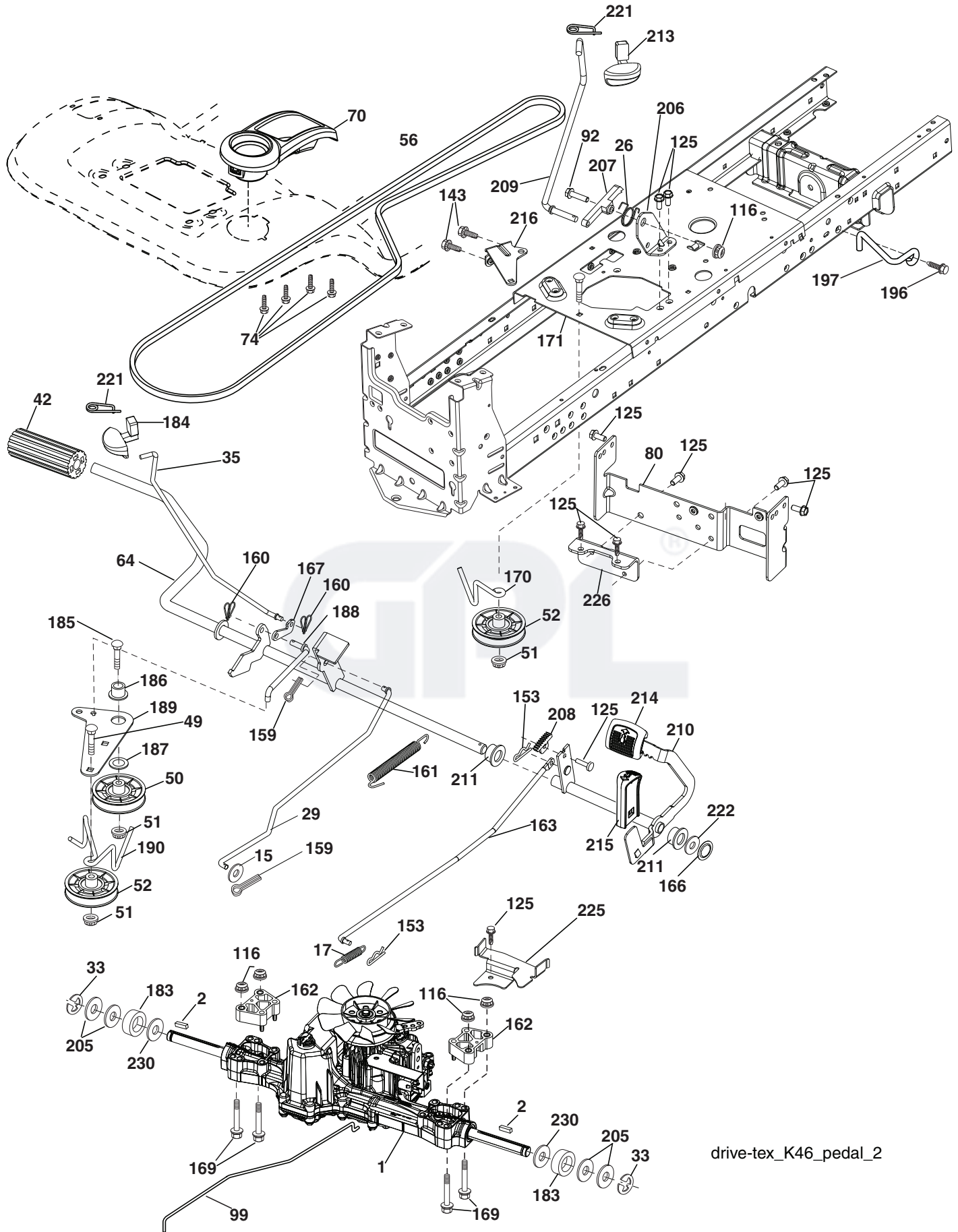
chassis-tex_Stealth_II_SRS_12

**TRACTOR - MODEL NO. LT2218 A2 (96041005901), PRODUCT NO. 960 41 00-59
CHASSIS**

| KEY NO. | PART NO. | DESCRIPTION |
|----------------|---------------------|----------------------------------|
| 5 | 532 41 14-10 | Dash |
| 14 | 532 18 13-51 | Hood |
| 18 | 532 18 13-52 | Grille |
| 34 | 532 19 61-25 | Plate Engine |
| 36 | 817 06 05-12 | Screw 5/16-18 x 3/4 |
| 37 | 532 41 18-77 | Fender |
| 58 | 532 19 43-14 | Bracket Support Fender |
| 68 | 817 49 05-08 | Screw 5/16-18 x 1/2 |
| 122 | 532 19 25-12 | Screw WSHD Hex 10-32 x 5/8 |
| 130 | 532 41 63-58 | Screw #10 x 0.750 BOS Thread |
| 139 | 532 17 18-73 | Bolt Shoulder 5/16-18 |
| 148 | 532 16 46-55 | Bumper Extrusion |
| 150 | 532 17 53-51 | Air Duct |
| 152 | 532 19 95-35 | Shield Browning |
| 153 | 532 17 97-61 | Lens Asm |
| 161 | 532 41 18-79 | Window Fuel |
| 162 | 532 14 24-32 | Screw |
| 165 | 532 19 68-26 | Support Tank Rear |
| 175 | 532 19 32-36 | Crossmember |
| 176 | 532 40 07-76 | Screw 10-24 x 5/8 |
| 177 | 532 19 52-27 | Bushing Steering |
| 180 | 532 19 54-77 | Chassis |
| 181 | 532 40 47-96 | Bushing Mtg. Fender Crgo |
| 182 | 532 19 25-51 | Dash Lower |
| 183 | 874 78 05-20 | Bolt Fin Hex 5/16-18 unc x 1-1/4 |
| 189 | 817 00 05-12 | Screw 5/16-18 x 3/4 |
| 194 | 873 90 05-00 | Nut Lock Hex Flange 5/16-18 |
| 195 | 532 40 41-37 | Plug Hole Dash Lower |
| 196 | 532 41 18-80 | Console Asm. Deck Lift |
| 198 | 532 41 18-81 | Indicator Deck Lift |
| 199 | 532 19 63-77 | Plate Deck Lift |
| 222 | 532 13 77-29 | Screw 1/4-20 x 5/8 |
| 228 | 532 19 51-61 | Stud Fastner |
| 235 | 532 40 61-29 | Spacer Fender |
| 236 | 873 93 05-00 | Nut Lock 5/16-18 unc |
| 278 | 532 19 63-94 | Bracket Hood/Muffler |

NOTE: All component dimensions given in U.S. inches
1 inch = 25.4 mm

TRACTOR - MODEL NO. LT2218 A2 (96041005901), PRODUCT NO. 960 41 00-59
DRIVE



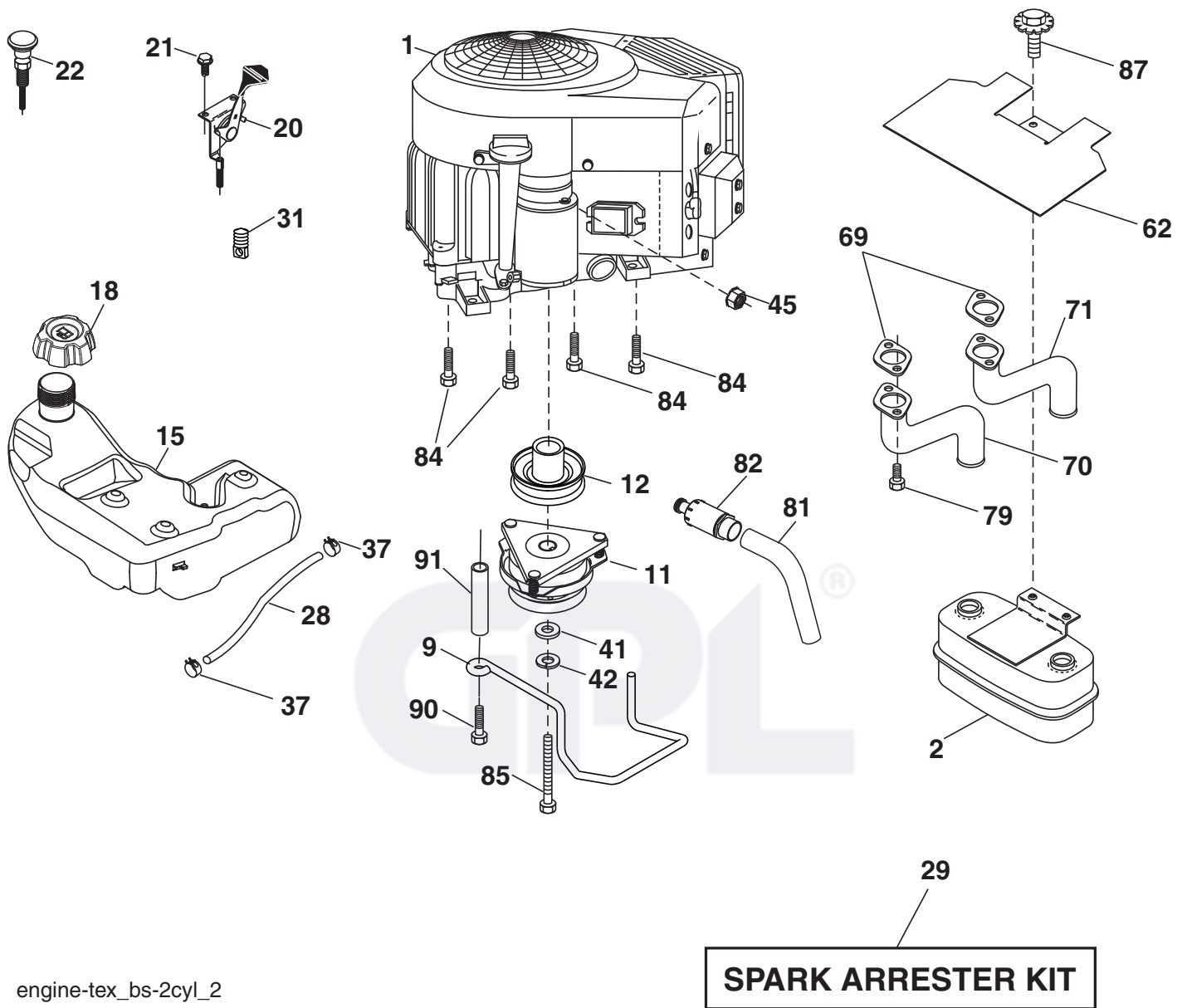
drive-tex_K46_pedal_2

TRACTOR - MODEL NO. LT2218 A2 (96041005901), PRODUCT NO. 960 41 00-59 DRIVE

| KEY NO. | PART NO. | DESCRIPTION | KEY NO. | PART NO. | DESCRIPTION |
|---------|---------------------|--|---------|--------------|-------------------------------|
| 1 | ----- | Transaxle, TUFFTORQ K46 BT (Internal parts not available) | 170 | 532 19 43-22 | Keeper Belt Centerspan |
| 2 | 532 12 35-83 | Key 1/4 x 2.5 | 171 | 872 11 06-16 | Bolt RDHD SQNK 3/8-16 unc x 2 |
| 15 | 819 13 13-16 | Washer 13/32 x 13/16 x 16 Ga. | 183 | 532 13 70-57 | Spacer Split |
| 17 | 532 41 36-78 | Spring, Brake | 184 | 532 41 17-16 | Handle Parking Brake |
| 26 | 532 19 96-79 | Spring Return Cruise | 185 | 872 11 06-20 | Bolt Rdhd Sqnk 3/8-16 x 2-1/2 |
| 29 | 532 40 38-06 | Rod, Brake | 186 | 532 19 43-21 | Spacer Retainer |
| 33 | 812 00 00-01 | Ring E | 187 | 819 13 32-10 | Washer |
| 35 | 532 19 72-75 | Rod, Brake, Park | 188 | 532 19 43-23 | Link Clutch Ground Drive |
| 42 | 532 12 48-72 | Cover, Foot Pedal | 189 | 532 19 43-17 | Bellcrank Ground Drive |
| 49 | 872 11 06-14 | Bolt | 190 | 532 19 43-18 | Keeper Bellcrank Ground Drive |
| 50 | 532 19 43-27 | Pulley Idler Flat | 196 | 817 00 06-16 | Screw 3/8-16 x 1 |
| 51 | 873 90 06-00 | Lock Nut 3/8-16 | 197 | 532 19 58-04 | Link Clutch Anti-Rotation |
| 52 | 532 19 43-26 | Idler V-Groove 910" Offset | 205 | 532 12 17-48 | Washer |
| 56 | 532 13 09-69 | V-Belt, Drive | 206 | 532 19 78-67 | Bracket Mount Latch Cruise |
| 64 | 532 19 78-65 | Shaft Asm. Pedal Brake Control | 207 | 532 19 78-68 | Latch Control Cruise |
| 70 | 532 41 22-98 | Console Asm. | 208 | 532 19 78-69 | Gear Sector Control Cruise |
| 74 | 532 14 24-32 | Screw 1/4 x 1/2 | 209 | 532 19 94-66 | Rod Control Cruise |
| 80 | 532 41 00-24 | Bracket Strap Torque | 210 | 532 19 78-60 | Rocker Asm. Pedal Control |
| 92 | 874 76 05-20 | Bolt Fin Hex 5/16-18 unc x 1.25 | 211 | 532 12 01-83 | Bearing Nylon |
| 99 | 532 40 59-17 | Rod Bypass | 213 | 532 41 23-24 | Knob Control Cruise |
| 116 | 873 90 05-00 | Nut Lock Hex Flange 5/16-18 | 214 | 532 40 17-22 | Pedal Forward |
| 125 | 817 00 05-12 | Screw 5/16-18 x 3/4 | 215 | 532 40 17-23 | Pedal Reverse |
| 143 | 817 49 05-08 | Screw 5/16-18 x 1/2 | 216 | 532 19 61-31 | Bracket Pulley Idler |
| 153 | 532 12 47-88 | Retainer Spring | 221 | 532 40 31-87 | Retainer Spring Clip Handle |
| 159 | 876 02 04-12 | Pin Cotter 1/8 x 3/4 | 222 | 879 21 20-10 | Washer 21/32 x 1-1/4 x 10 Ga. |
| 160 | 532 16 94-84 | Retainer Clip | 225 | 532 40 33-19 | Keeper Belt Trans. |
| 161 | 532 10 57-09 | Spring, Return, Clutch | 226 | 532 40 08-31 | Bracket Mount Torque |
| 162 | 532 19 57-85 | Spacer Transaxle | 230 | 532 18 89-67 | Washer Hardened |
| 163 | 532 40 10-34 | Rod Pedal Control | | | |
| 166 | 532 19 72-90 | Nut Push .625 | | | |
| 167 | 532 40 52-57 | Latch Brake Parking | | | |
| 169 | 874 49 05-60 | Bolt Hex Flghd 5/16-18 x 3.75 | | | |

NOTE: All component dimensions given in U.S. inches
1 inch = 25.4 mm

**TRACTOR - MODEL NO. LT2218 A2 (96041005901), PRODUCT NO. 960 41 00-59
ENGINE**



engine-tex_bs-2cyl_2

TRACTOR - MODEL NO. LT2218 A2 (96041005901), PRODUCT NO. 960 41 00-59 ENGINE

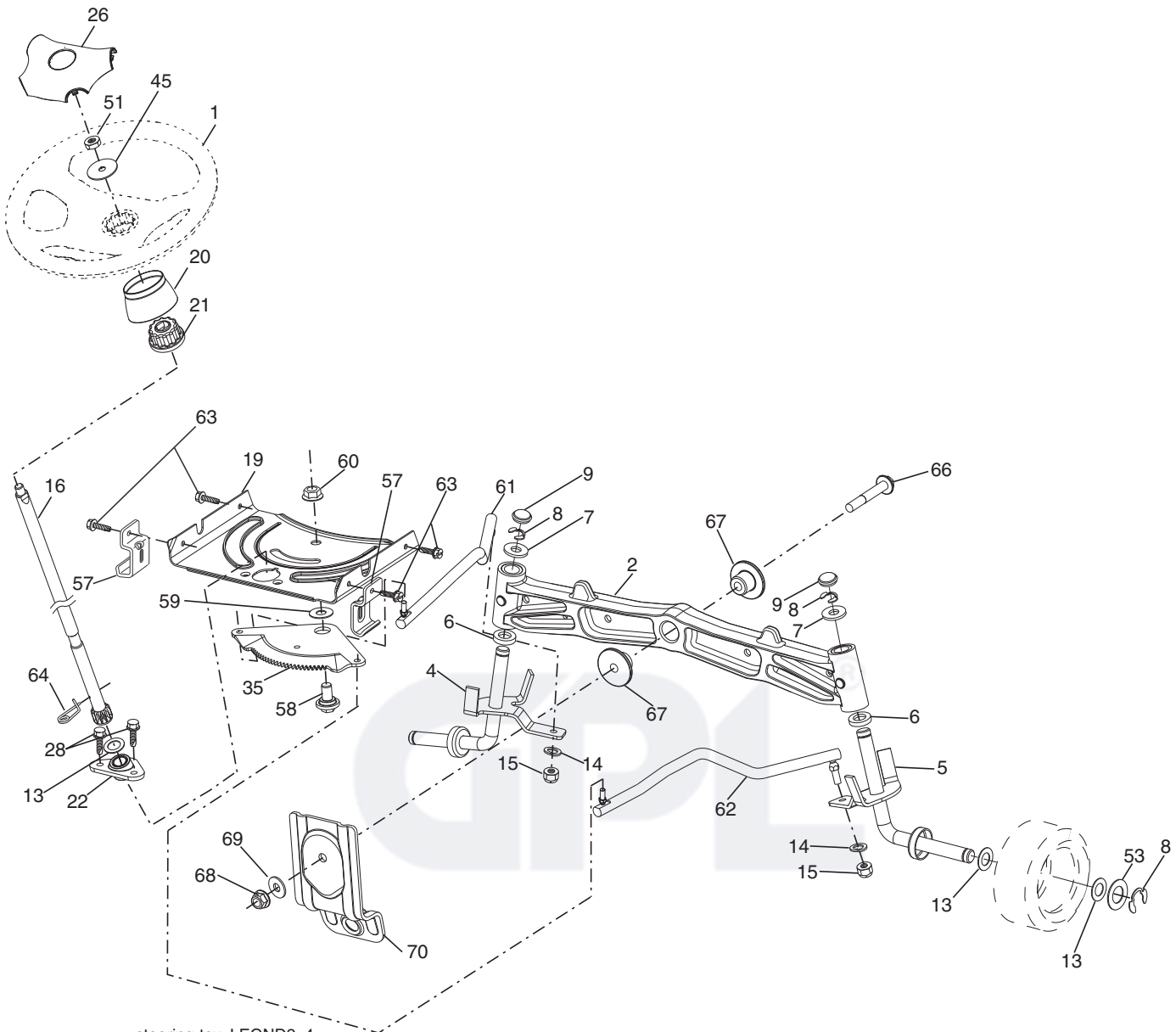
| KEY NO. | PART NO. | DESCRIPTION |
|---------|--------------|--------------------------------------|
| 1 | --- | Briggs Model No. 405577 |
| 2 | 532 14 97-23 | Muffler |
| 9 | 532 19 43-20 | Keeper Belt Engine |
| 11 | 532 18 05-05 | Clutch Ogura |
| 12 | 532 40 50-97 | Pulley Engine |
| 15 | 532 19 34-99 | Tank Fuel 4.0 |
| 18 | 532 19 59-51 | Cap Asm |
| 20 | 532 17 83-85 | Control Throttle |
| 21 | 532 41 63-58 | Screw #10 x 0.750 BOS Thread |
| 22 | 532 19 15-96 | Control Choke |
| 28 | 532 14 21-58 | Fuel Line |
| 29 | 532 13 71-80 | Spark Arrester Kit |
| 31 | 532 14 50-06 | Clip Push-In |
| 37 | 532 12 34-87 | Clamp Hose |
| 41 | 532 12 61-97 | Washer 1-1/2 OD x 15/32 ID x .250 |
| 42 | 810 04 07-00 | Washer Lock 7/16 |
| 45 | 873 51 04-00 | Nut Keps Hex 1/4-20 unc |
| 62 | 532 14 66-29 | Shield Heat Muffler |
| 69 | 532 16 53-91 | Gasket |
| 70 | 532 15 99-55 | Tube Exhaust LH |
| 71 | 532 16 05-89 | Tube Exhaust RH |
| 79 | 532 18 39-06 | Screw Socket HD 5/16-18 x 1 |
| 81 | 532 14 84-56 | Tube Drain Oil Easy |
| 82 | 532 18 16-54 | Plug Drain Oil |
| 84 | 817 06 06-20 | Screw 3/8-16 x 1 |
| 85 | 532 17 39-37 | Bolt Hex 7/16-20 x 4 Gr. 5 - 1.5 THR |
| 87 | 532 19 82-39 | Bolt 5/16-18 unc x 1 w/Sems |
| 90 | 817 00 06-16 | Screw 3/8-16 x 1 |
| 91 | 532 18 74-95 | Bushing |

NOTE: All component dimensions given in U.S. inches
1 inch = 25.4 mm

Engine Power Rating Information

The gross power rating for individual gas engine models is labeled in accordance with SAE (Society of Automotive Engineers) code J11940 (Small Engine Power & Torque Rating Procedure), and rating performance has been obtained and corrected in accordance with SAE J1995 (Revision 2002-5). Actual gross engine power will be lower and is affected by, among other things, ambient operating conditions and engine-to-engine variability. Given both the wide array of products on which engines are placed and the variety of environmental issues applicable to operating the equipment, the gas engine will not develop the rated gross power when used in a given piece of power equipment (actual "on-site" or net horsepower). This difference is due to a variety of factors including, but not limited to, accessories (air cleaner, exhaust, charging, cooling, carburetor, fuel pump, etc.), application limitations, ambient operating conditions (temperature, humidity, altitude), and engine-to-engine variability. Due to manufacturing and capacity limitations, Briggs & Stratton may substitute an engine of higher rated power for this Series engine.

TRACTOR - MODEL NO. LT2218 A2 (96041005901), PRODUCT NO. 960 41 00-59
STEERING ASSEMBLY

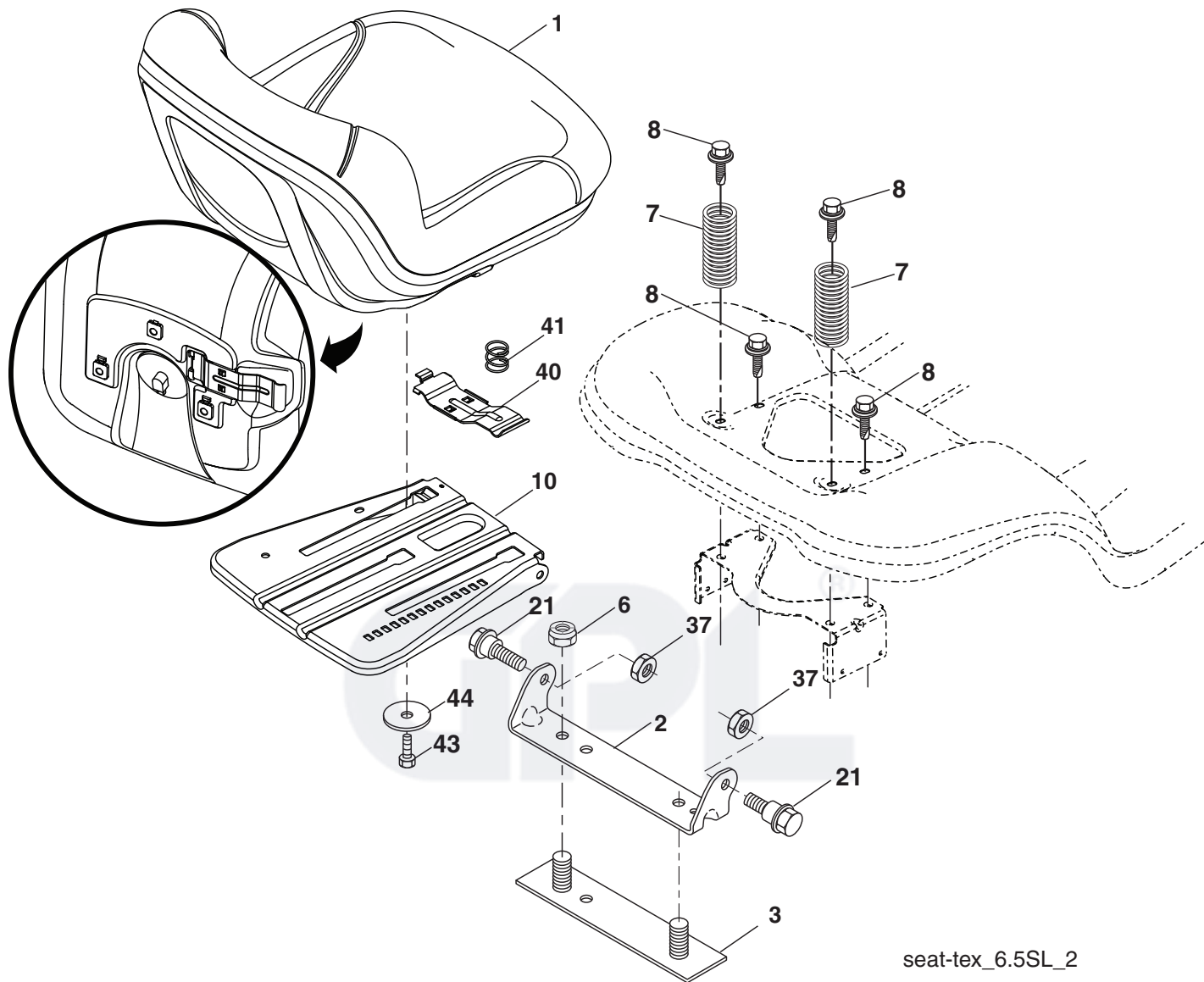


steering-tex_LEGND2_4

| KEY NO. | PART NO. | DESCRIPTION | KEY NO. | PART NO. | DESCRIPTION |
|---------|--------------|-------------------------------|---------|--------------|--------------------------------|
| 1 | 532 19 46-37 | Wheel, Steering | 51 | 873 94 08-00 | Nut Hex Jam Toplock 1/2-20 unf |
| 2 | 532 19 59-68 | Axle Asm., Front | 53 | 532 18 89-67 | WasherHardened.793x1.637x.060 |
| 4 | 532 40 30-87 | Spindle Asm., LH | 57 | 532 40 74-65 | Bracket Upstop |
| 5 | 532 40 30-88 | Spindle Asm., RH | 58 | 532 19 47-47 | Bolt Shoulder Sector Pivot CFM |
| 6 | 532 12 49-31 | Bearing, Race Thrust Harden | 59 | 532 19 47-48 | Washer Thrust Sector Steering |
| 7 | 532 12 17-48 | Washer 25/32 x 1-5/8 x 16 Ga. | 60 | 873 97 10-00 | Nut Flange Lock 5/8-11 |
| 8 | 812 00 00-29 | Ring, Clip #T5304-75 | 61 | 532 19 47-40 | Draglink LH |
| 9 | 532 12 12-32 | Cap, Spindle | 62 | 532 19 47-41 | Draglink, RH |
| 13 | 532 12 17-49 | Washer 25/32 x 1-1/4 x 16 Ga. | 63 | 817 00 05-12 | Screw 5/16-18 x 3/4 |
| 14 | 810 04 06-00 | Washer, Lock Hvy Hlcl Spr 3/8 | 64 | 532 19 98-49 | Retainer Clip Spring Steering |
| 15 | 873 54 06-00 | Nut, Crown Lock 3/8-24 unf | 66 | 871 02 07-48 | Bolt Hex Fghd 7/16-14 x 3 Serr |
| 16 | 532 19 47-46 | Shaft Steering | 67 | 532 19 47-37 | Bushing PM Front Axle |
| 19 | 532 19 47-29 | Plate Steering | 68 | 873 90 07-00 | Nut Lock Flange 7/16-14 Gr. 5 |
| 20 | 532 41 14-25 | Boot Steering | 69 | 532 19 91-62 | Washer 1.5 x .505 x .118 |
| 21 | 532 18 67-37 | Adapter, Wheel Steering | 70 | 532 19 61-97 | Bracket Deck Susp. Front |
| 22 | 532 19 48-45 | Bushing, Strg. Blk | | | |
| 26 | 532 19 46-03 | Insert, Wheel Steering | | | |
| 28 | 817 00 06-12 | Screw 3/8-16 x 3/4 | | | |
| 35 | 532 19 47-32 | Gear, Sector Plate | | | |
| 45 | 819 18 38-12 | Washer 9/16 x 2-3/8 x 12 Ga. | | | |

NOTE: All component dimensions given in U.S. inches
 1 inch = 25.4 mm

**TRACTOR - MODEL NO. LT2218 A2 (96041005901), PRODUCT NO. 960 41 00-59
SEAT ASSEMBLY**



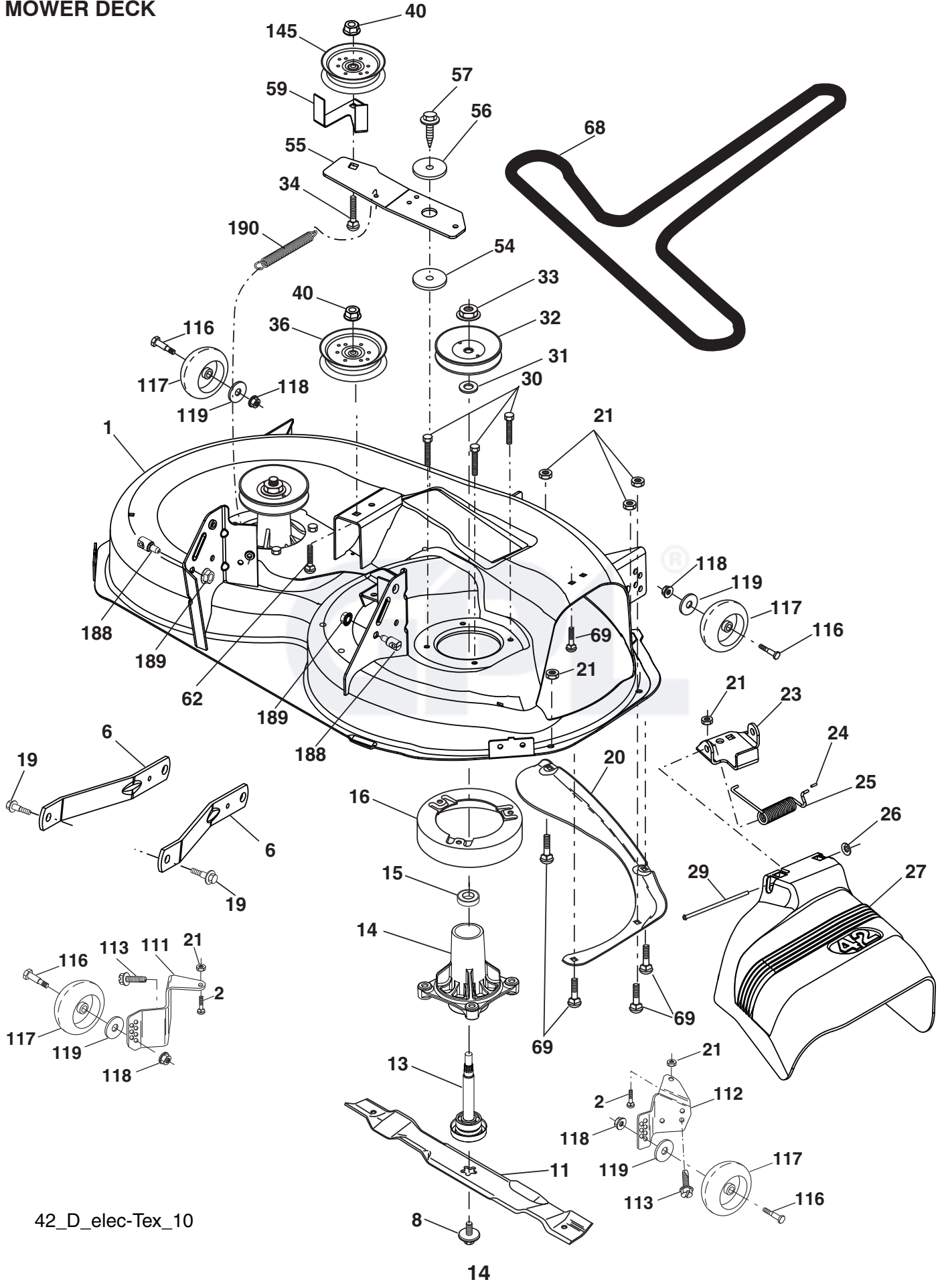
seat-tex_6.5SL_2

| KEY NO. | PART NO. | DESCRIPTION |
|---------|--------------|-------------------------------|
| 1 | 532 40 66-25 | Seat |
| 2 | 532 18 01-66 | Bracket Pivot Fender |
| 3 | 532 14 06-75 | Strap, Asm Fender |
| 6 | 873 80 06-00 | Nut, Lock w/Ins. 3/8-16 unc |
| 7 | 532 12 41-81 | Spring, Seat Cprsn |
| 8 | 532 17 18-77 | Bolt 5/16-18 unc x 3/4 w/Sems |
| 10 | 532 19 69-77 | Pan, Seat |
| 21 | 532 17 18-52 | Bolt, Shoulder 5/16-18 |

| KEY NO. | PART NO. | DESCRIPTION |
|---------|--------------|-------------------------------|
| 37 | 873 80 05-00 | Nut, Lock 5/16-18 unc |
| 40 | 532 19 76-61 | Handle Slide Seat |
| 41 | 532 19 82-00 | Spring Latch Seat |
| 43 | 874 76 06-12 | Bolt 3/8-16 x 3/4 |
| 44 | 819 13 38-12 | Washer 13/32 x 2-3/8 x 12 Ga. |

NOTE: All component dimensions given in U.S. inches
1 inch = 25.4 mm

TRACTOR - MODEL NO. LT2218 A2 (96041005901), PRODUCT NO. 960 41 00-59
MOWER DECK

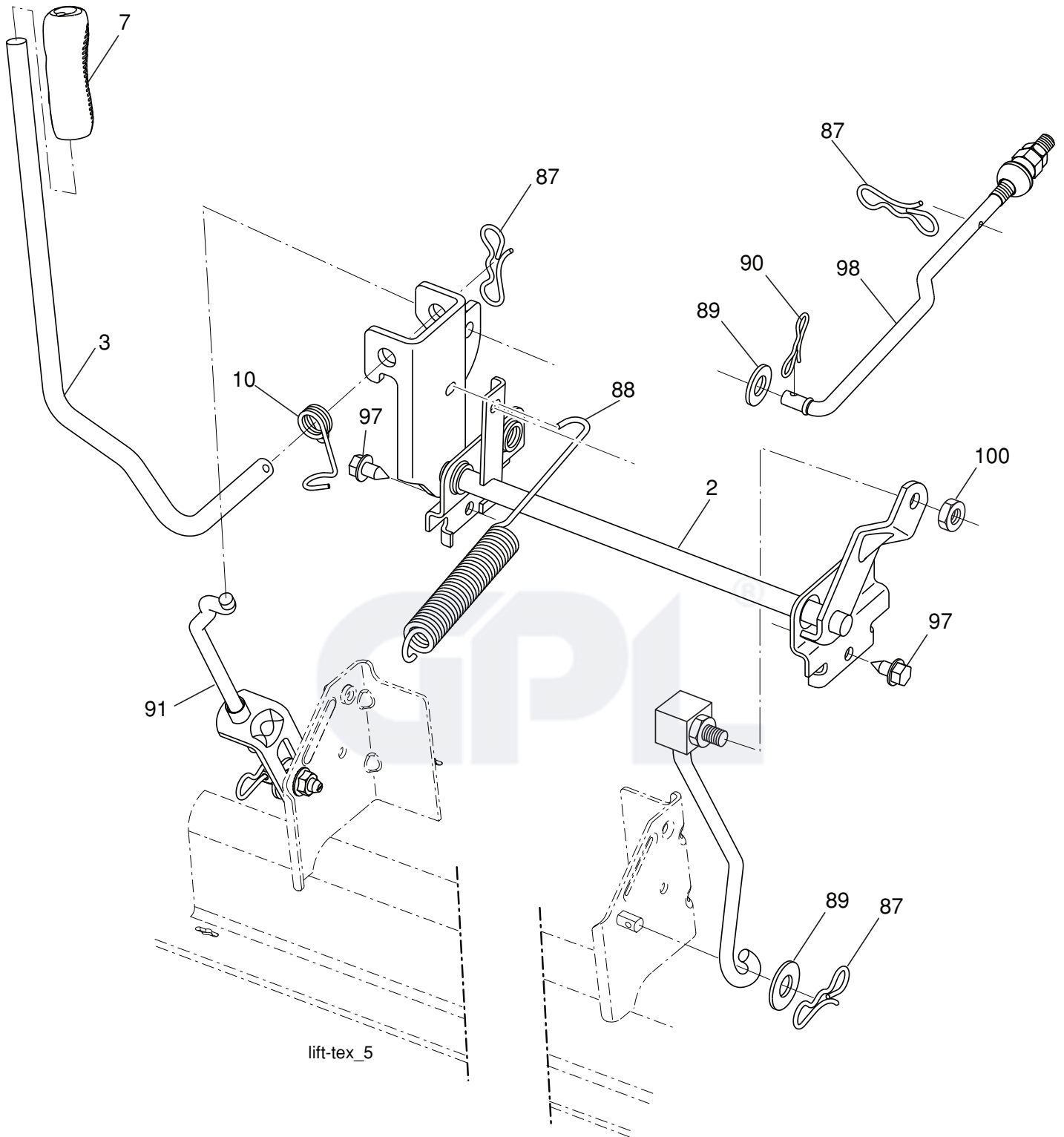


**TRACTOR - MODEL NO. LT2218 A2 (96041005901), PRODUCT NO. 960 41 00-59
MOWER DECK**

| KEY NO. | PART NO. | DESCRIPTION |
|---------|--------------|---|
| 1 | 532 19 64-95 | Mower Deck Assembly, 42" |
| 2 | 872 14 05-06 | Bolt RDHD SQNK 5/16-18 unc x 3/4 |
| 6 | 532 19 51-86 | Arm Susp. Rear |
| 8 | 532 19 30-03 | Bolt/Washer Asm 7/16-20 unf |
| 11 | 532 13 89-71 | Blade Mower 42" Hi-Lift (For Bagging and Discharging) |
| 13 | 532 19 28-72 | Shaft Assembly, Mandrel |
| 14 | 532 18 72-81 | Housing, Mandrel |
| 15 | 532 11 04-85 | Bearing, Ball, Mandrel |
| 16 | 532 17 44-93 | Stripper, Mandrel Deck |
| 19 | 532 19 65-39 | Bolt, Shoulder |
| 20 | 532 15 97-70 | Baffle, Vortex |
| 21 | 873 68 05-00 | Nut |
| 23 | 532 19 25-57 | Bracket, Deflector Mower 42" |
| 24 | 532 10 53-04 | Cap, Sleeve 80 x 112 Blk Mower |
| 25 | 532 19 70-26 | Spring, Torsion, Deflector |
| 26 | 532 11 04-52 | Nut, Push Phos & Oil |
| 27 | 532 40 30-04 | Shield, Deflector 42" Blk |
| 29 | 532 13 14-91 | Rod, Hinge 42" 6 75 W/G |
| 30 | 532 17 39-84 | Screw Thdrol |
| 31 | 532 18 76-90 | Washer, Spacer Mower Vented |
| 32 | 532 15 35-35 | Pulley, Mandrel |
| 33 | 532 40 02-34 | Nut, Toplock |
| 34 | 872 11 06-12 | Bolt Carr SH 3/8-16 x 1-1/2 Gr. 5 |
| 36 | 532 19 73-79 | Pulley, Idler, Flat |
| 40 | 873 90 06-00 | Nut Lock 3/8-16 |
| 54 | 532 17 85-15 | Washer Flat Hardened |
| 55 | 532 19 72-49 | Arm, Idler |
| 56 | 532 19 90-92 | Spacer, Retainer |
| 57 | 817 00 06-16 | Screw 3/8-16 x 1 |
| 59 | 532 14 10-43 | Guard TUV Idler |
| 62 | 872 11 06-16 | Bolt Rdhd Sqnk 3/8-16 unc x 2 |
| 68 | 532 14 49-59 | V-Belt, 42" Mower |
| 69 | 872 14 05-05 | Bolt, Carriage 5/16-18 x 5/8 |
| 111 | 532 40 47-84 | Bracket Wheel Gauge LH |
| 112 | 532 40 47-85 | Bracket Wheel Gauge RH |
| 113 | 817 00 05-10 | Bolt 5/16-18 |
| 116 | 532 12 48-42 | Bolt, Shoulder |
| 117 | 532 18 86-06 | Wheel, Gauge |
| 118 | 873 93 06-00 | Nut Centerlock 3/8-16 unc |
| 119 | 819 12 14-14 | Washer 3/8 x 7/8 x 14 Ga. |
| 145 | 532 19 31-97 | Pulley Idler |
| 188 | 532 19 51-61 | Stud Fastner W/D Anti-Rotation |
| 189 | 873 90 05-00 | Nut Lock Hex Flange 5/16-18 |
| 190 | 532 19 72-51 | Spring Mower Drive |
| -- | 532 19 28-70 | Mandrel Assembly (Includes housing, shaft assembly, and bearing only - pulley/nut/washer and blade bolt/washers not included) |
| -- | 532 40 01-53 | Replacement Mower, Complete (Std. Deck Order Separately Gauge Wheel Components Key Nos. 116-119) |

NOTE: All component dimensions given in U.S. inches
1 inch = 25.4 mm

**TRACTOR - MODEL NO. LT2218 A2 (96041005901), PRODUCT NO. 960 41 00-59
MOWER LIFT**



lift-tex_5

| KEY NO. | PART NO. | DESCRIPTION |
|---------|--------------|------------------------------|
| 2 | 532 19 52-23 | Shaft Asm., Lift |
| 3 | 532 19 52-30 | Lever Asm., Lift |
| 7 | 532 41 15-55 | Grip, Lever |
| 10 | 532 19 63-14 | Spring Torsion |
| 87 | 532 19 42-09 | Pin Cotter 7/16 Bow Tie Lock |
| 88 | 532 19 53-04 | Spring Lift Assist |
| 89 | 819 19 19-12 | Washer Clear Zinc |
| 90 | 532 19 42-08 | Pin Cotter 5/16 Bow Tie Lock |

| KEY NO. | PART NO. | DESCRIPTION |
|---------|--------------|----------------------------------|
| 91 | 532 19 51-81 | Link Lift Susp Mower Rear |
| 97 | 817 00 06-12 | Screw 3/8-16 x .75 Smgml Tap/R.Z |
| 98 | 532 19 52-70 | Link Lift Susp. Front Mower |
| 100 | 873 93 06-00 | Nut Centerlock 3/8-16 unc |

NOTE: All component dimensions given in U.S. inches
1 inch = 25.4 mm