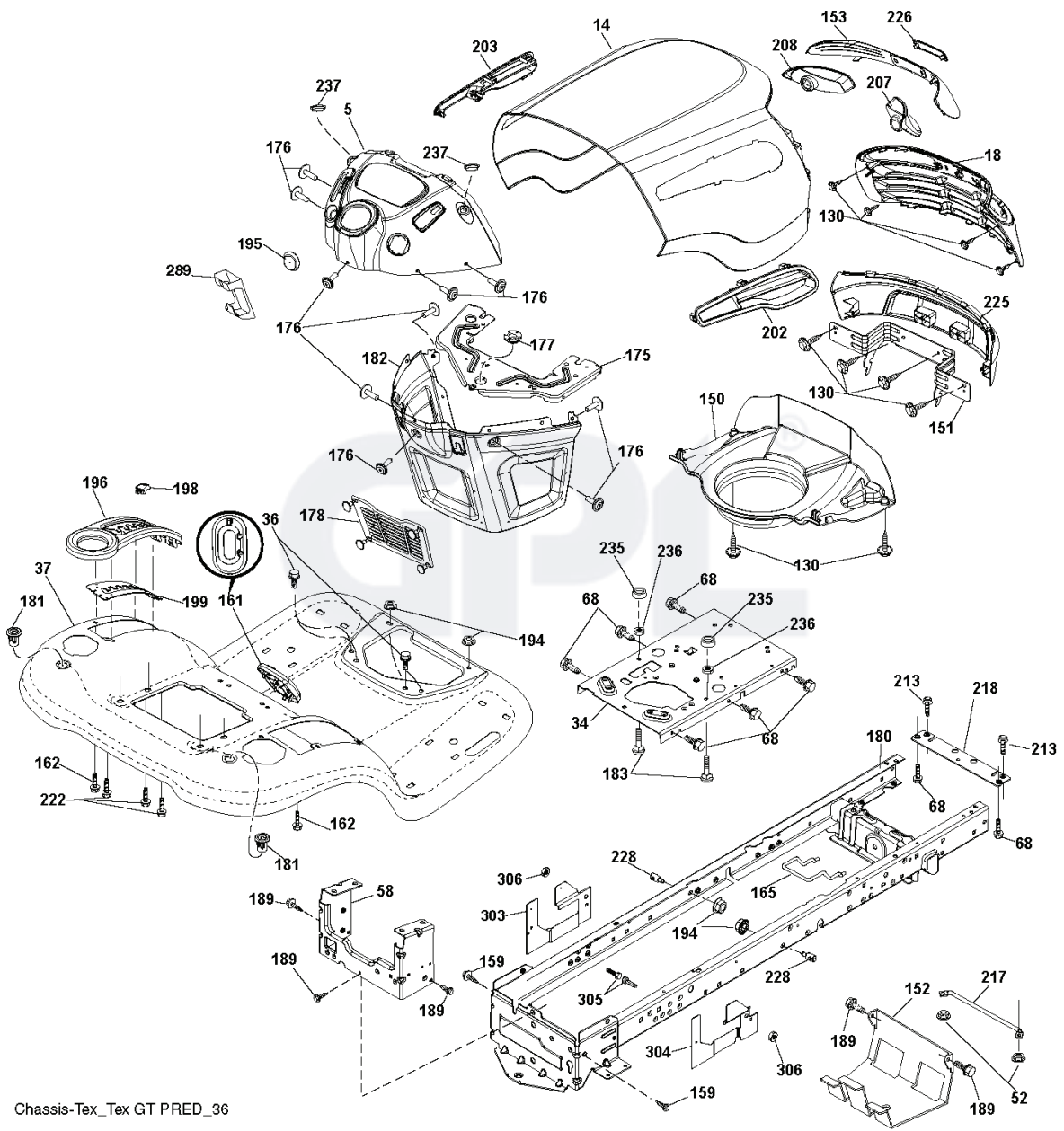


LT 2218 A2, 96041010901, 2010-02



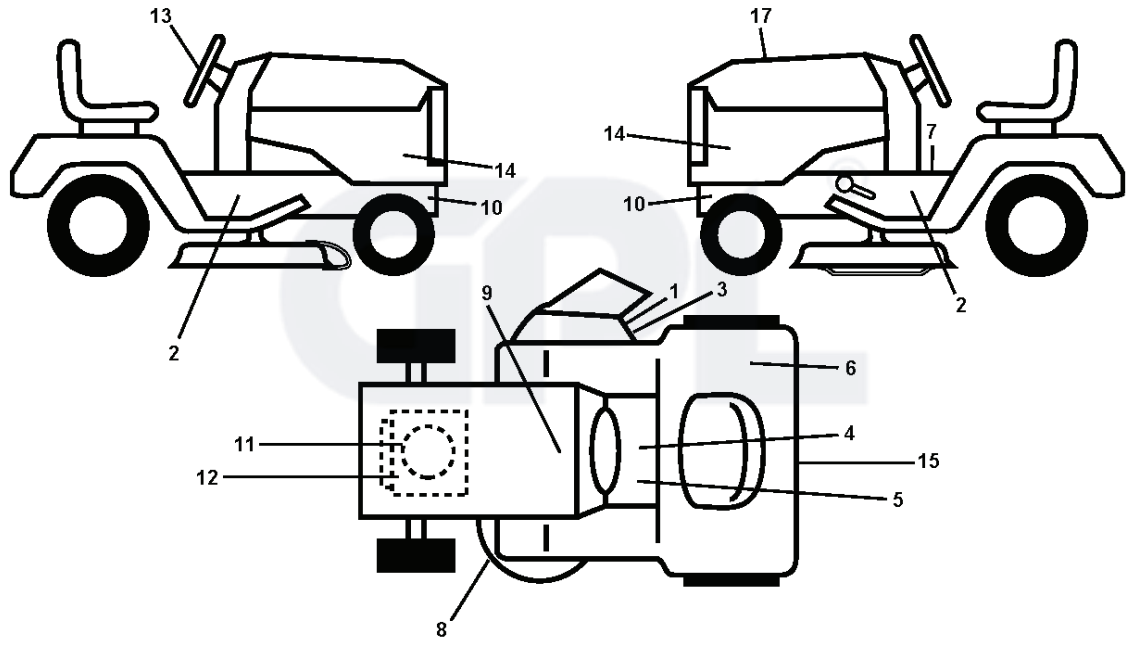
---

**SPARE PARTS LIST**



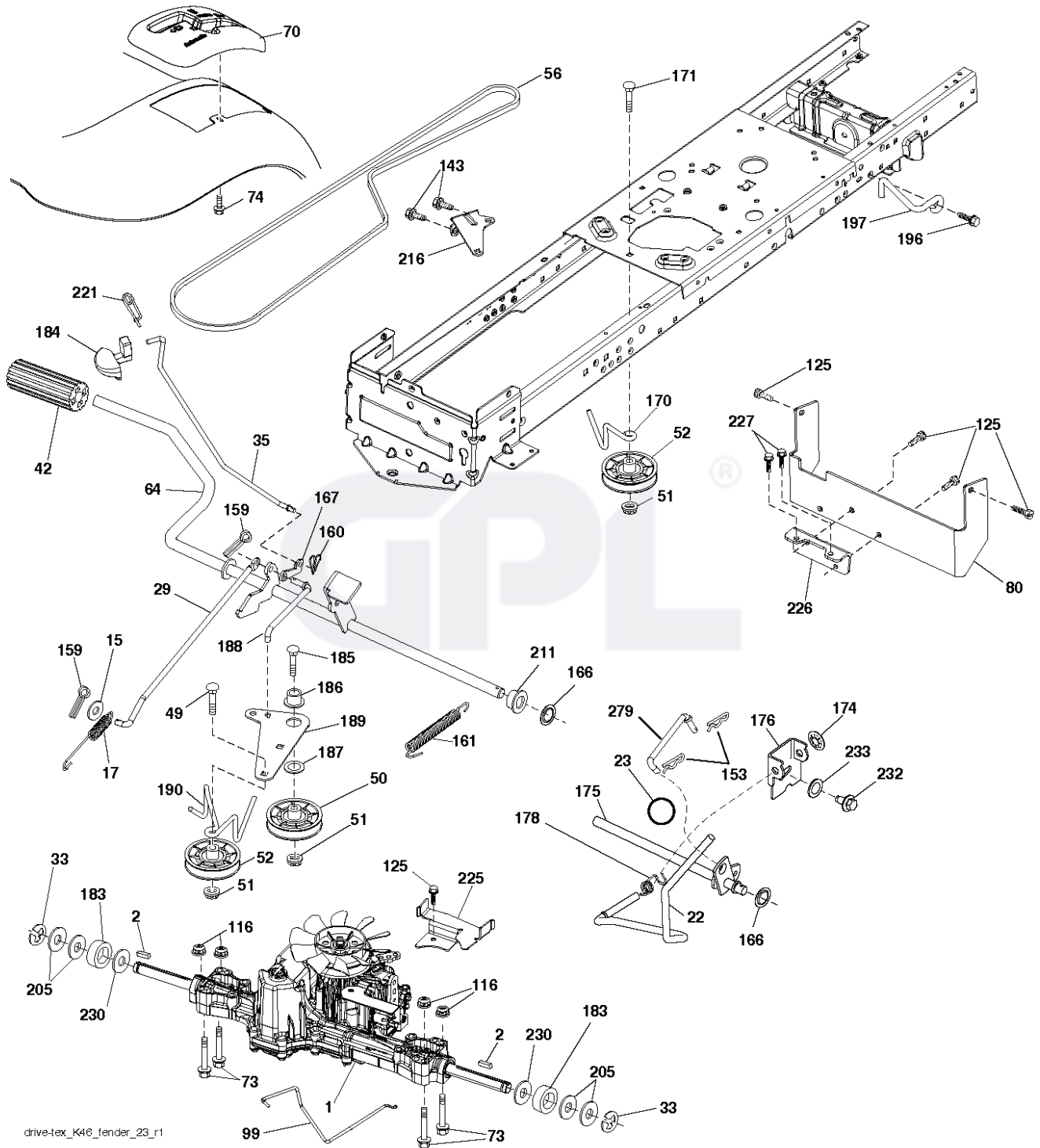
Chassis-Tex\_Tex GT PRED\_36

REF.	PART NO.	DESCRIPTION	REMARK	QTY.	KIT
5	532424699	DASH		1	
14	532424701	HOOD		1	
18	532427333	GRILLE		1	
34	532196125	PLATE		1	
36	817060512	SCREW		1	
37	532411877	FENDER		1	
52	873680500	NUT		1	
58	532412281	PLATE		1	
68	817490508	SCREW		1	
130	532416358	SCREW		1	
150	532199411	AIR CONDUCTOR		1	
151	532196332	BRACKET		1	
152	532199535	SHIELD		1	
153	532424717	LENS		1	
159	817000612	SCREW		1	
161	532411879	WINDOW		1	
162	532142432	SCREW		1	
165	532196826	BRACKET		1	
175	532196304	SUPPORT		1	
176	532400776	SCREW		1	
177	532195227	BUSHING		1	
178	532199782	NET		1	
180	532415064	FRAME		1	
181	532404796	BUSHING		1	
182	532406859	DASH		1	
183	874520520	BOLT		1	
189	817000512	SCREW		1	
194	873900500	NUT		1	
195	532404137	TROU*RPLPAR 532401556428		1	
196	532411878	CONSOLE		1	
198	532411881	KNOB		1	
199	532196377	PLATE		1	
202	532423272	AIR DUCT		1	
203	532423271	AIR DUCT		1	
207	532198963	REFLECTOR		1	
208	532198964	REFLECTOR		1	
213	874760512	BOLT		1	
217	532409167	ROD		1	
218	532196395	PLATE		1	
222	532137729	SCREW		1	
225	532423226	GRILLE		1	
226	532424716	LOGOTYPE		1	
228	532195161	STUD		1	
235	532406129	SPACER		1	
236	873930500	NUT		1	
237	532403704	PLUG		1	
289	532403571	HOLDER		1	
303	532420959	SHIELD		1	
304	532421509	SHIELD		1	
305	872110606	BOLT		1	
306	873900600	NUT		1	



REF.	PART NO.	DESCRIPTION	REMARK	QTY.	KIT
1	532182166	DECAL		1	
2	532401146	DECAL		1	
3	532196357	DECALC:"DANGER DEFLECTEUR"		1	
4	532140837	DECAL		1	
5	532400389	LABEL		1	
6	532180432	DECAL		1	
7	532159737	DECAL		1	
8	532160396	DECAL		1	
9	532145005	DECAL		1	
10	532159736	DECAL		1	
11	532196841	DECAL		1	
12	532416473	DECAL		1	
13	532422685	DECAL		1	
14	532427117	DECAL		1	
15	532183930	DECAL		1	
17	532433149	DECAL		1	
--	532166960	DECAL		1	
--	532162598	DECAL		1	
--	532411903	PAD		1	
--	532411902	PAD.FOOTREST.RH.STGT.B*SUBS/2*		1	



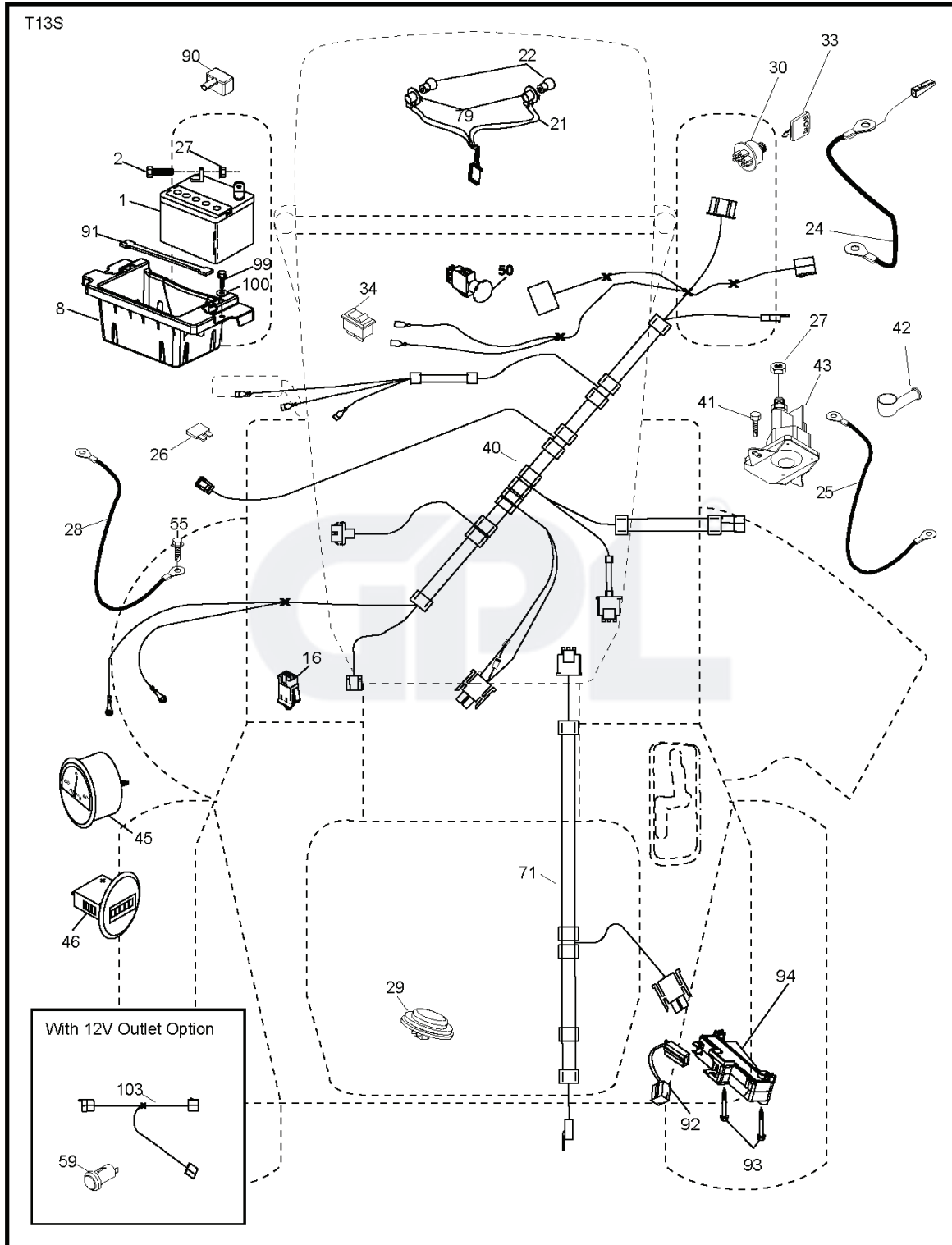


drive-tex\_K46\_fender\_23\_r1

REF.	PART NO.	DESCRIPTION	REMARK	QTY.	KIT
1	000000000	W/O DESCRIPTION	Transaxle, Tufftorq K46BA	1	
2	532123583	KEY		1	
15	819131316	WASHER		1	
17	532413678	SRPING.BRAKE.K46.GREEN*SUBS/2*		1	
22	532197329	ROD		1	
23	532130564	HANDLE		1	
29	532403806	ROD		1	
33	812000001	RETAINER RING		1	
35	532199591	ROD		1	
42	532124872	PEDAL RUBBER		1	
49	872110614	BOLT		1	
50	532194327	PULLEY		1	
51	873900600	NUT		1	
52	532194326	PULLEY		1	
56	532130969	BELT		1	
64	532196200	SHAFT		1	
70	532411901	CONSOLE		1	
73	874490544	SCREW		1	
74	532142432	SCREW		1	
80	532410024	STRAP TORQUE		1	
99	532415742	ROD		1	
116	873900500	NUT		1	
125	817000512	SCREW		1	
143	817490508	SCREW		1	
153	532124788	RETAINER RING		1	
159	876020412	SPLIT PIN		1	
160	532169484	PIN		1	
161	532105709	SPRING		1	
166	532429164	NUT		1	
167	532405257	LATCH		1	
170	532194322	KEEPER		1	
171	872110616	BOLT		1	
174	532197289	NUT		1	
175	532406208	SHAFT		1	
176	532196214	ARM		1	
178	532197456	SPRING		1	
183	532137057	SPACER		1	
184	532403118	CONTROL		1	
185	872110622	BOLT		1	
186	532194321	SPACER		1	
187	819133210	WASHER		1	
188	532194323	LINK		1	
189	532194317	PLATE		1	
190	532194318	BELT GUIDE		1	
196	817000616	SCREW		1	
197	532195804	BRACKET		1	
205	532121748	WASHER		1	
211	532196212	BUSHING		1	
216	532196131	BRACKET		1	
221	532403187	SPRING		1	
225	532403319	BELT GUIDE		1	
226	532401564	BRACKET		1	
227	817490512	SCREW		1	
230	532188967	WASHER		1	
232	874780716	BOLT		1	
233	532405296	WASHER		1	
279	532406207	LINK		1	

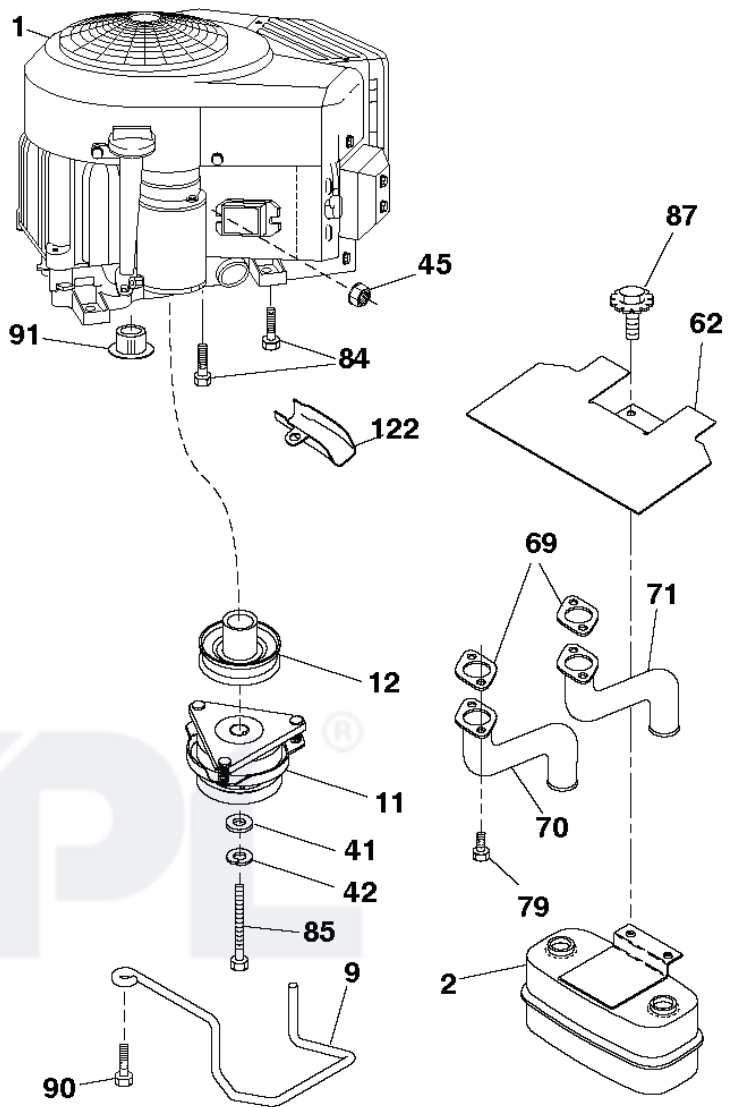


T13S



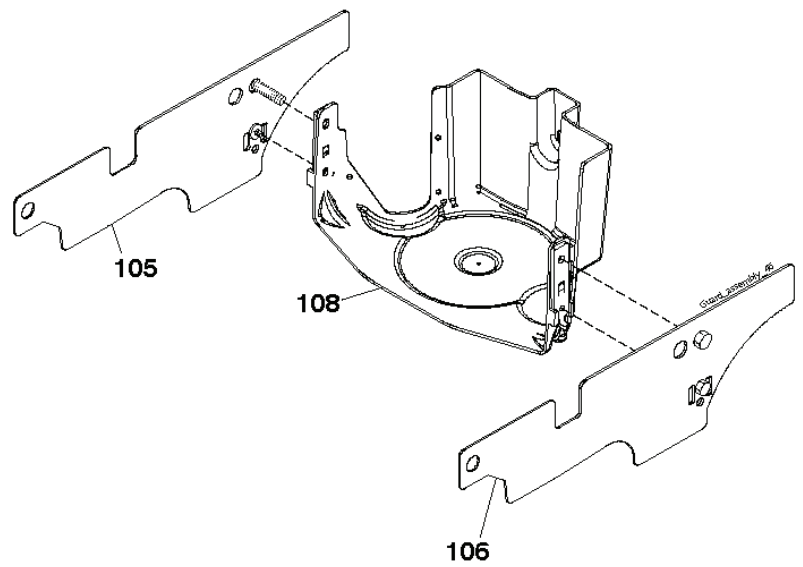
REF.	PART NO.	DESCRIPTION	REMARK	QTY.	KIT
1	532163465	BATTERY		1	
2	874760412	BOLT		1	
8	532186491	BOX		1	
16	532176138	MICRO SWITCH		1	
21	532400252	HARNESS		1	
22	532004152	BULB		1	
24	532400253	CABLE		1	
25	532412895	CABLE.STARTER.6G.BL/RE*SUBS/2*		1	
26	532175158	FUSE		1	
27	873510400	NUT		1	
28	532145491	CABLE		1	
29	532401545	SWITCH		1	
30	532193350	IGNITION MODULE		1	
33	532411935	KEY		1	
34	532110712	SWITCH		1	
40	532402167	CABLE		1	
41	817720408	SCREW		1	
42	532131563	COVER		1	
43	532192507	SOLENOID		1	
45	532177500	GUAGE		1	
46	532177501	GUAGE		1	
50	532174651	SWITCH		1	
55	817060512	SCREW		1	
71	532194276	CABLE ASSY		1	
79	532175242	HOLDER		1	
90	532400724	COVER		1	
91	532190270	STRAP BATTERY MOUNT FRO		1	
92	532196615	CABLE ASSY		1	
93	532192540	SCREW		1	
94	532191834	MODULE.REVERSE.ROS		1	
99	817670412	SCREW		1	
100	819091416	WASHER		1	





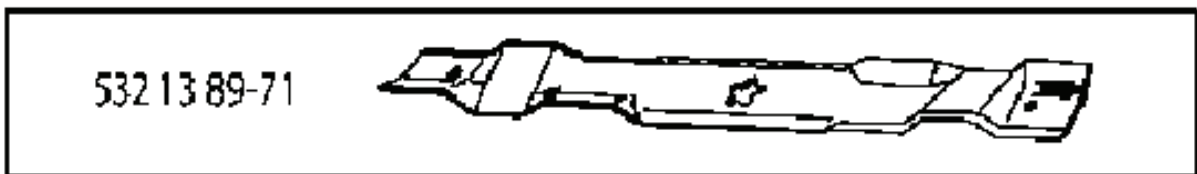
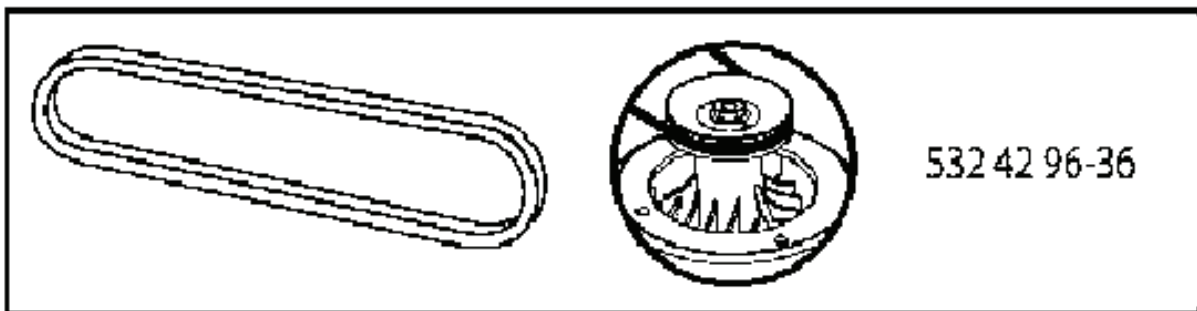
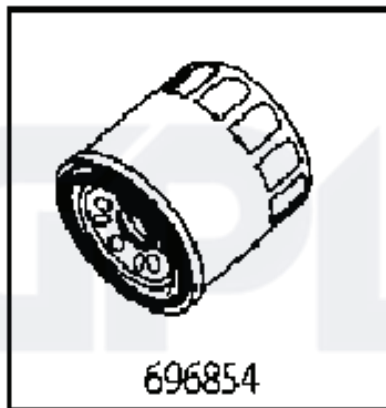
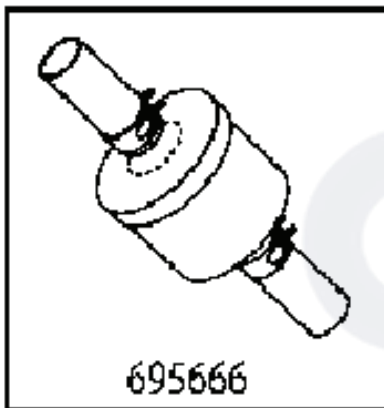
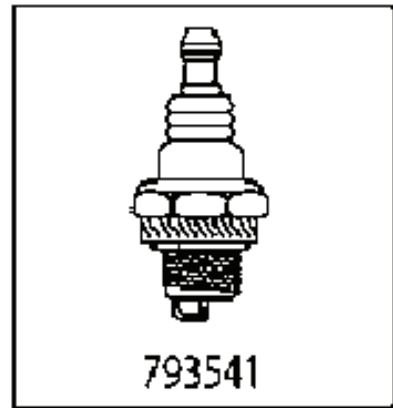
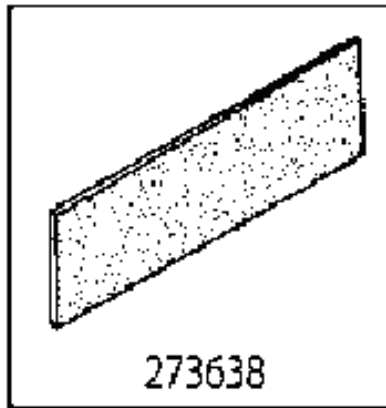
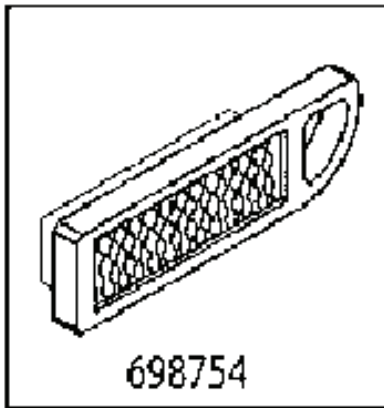
**SPARK ARRESTER KIT**

engine-tex\_bs-2cyl\_60



REF.	PART NO.	DESCRIPTION	REMARK	QTY.	KIT
1	000000000	W/O DESCRIPTION	Engine Briggs Model No. 405577-1220-B1	1	
2	532149723	MUFFLER		1	
9	532194320	BELT GUIDE		1	
11	532180505	CLUTCH		1	
12	532405097	PULLEY		1	
15	532193499	FUEL TANK		1	
18	532430218	HUB CAP		1	
20	532178385	THROTTLE TRIGGER		1	
21	532416358	SCREW		1	
22	532191596	COMMA*RPLPAR 532187767428		1	
28	532137040	HOSE		1	
29	532137180	SPARK ARRESTER KIT		1	
37	532123487	HOSE CLAMP		1	
41	532126197	WASHER		1	
42	810040700	WASHER		1	
45	873510400	NUT		1	
62	532146629	HEAT SHIELD		1	
69	532165391	GASKET		1	
70	532159955	TUBE		1	
71	532160589	TUBE		1	
79	532183906	SCREW		1	
84	817060620	SCREW		1	
85	532173937	BOLT		1	
87	532171877	BOLT		1	
90	817000616	SCREW		1	
91	532187495	BUSHING		1	
105	532440681	SHIELD		1	
106	532440680	SHIELD		1	
108	532421794	ENGINE COVER		1	
122	532421922	EXTENSION PIPE		1	

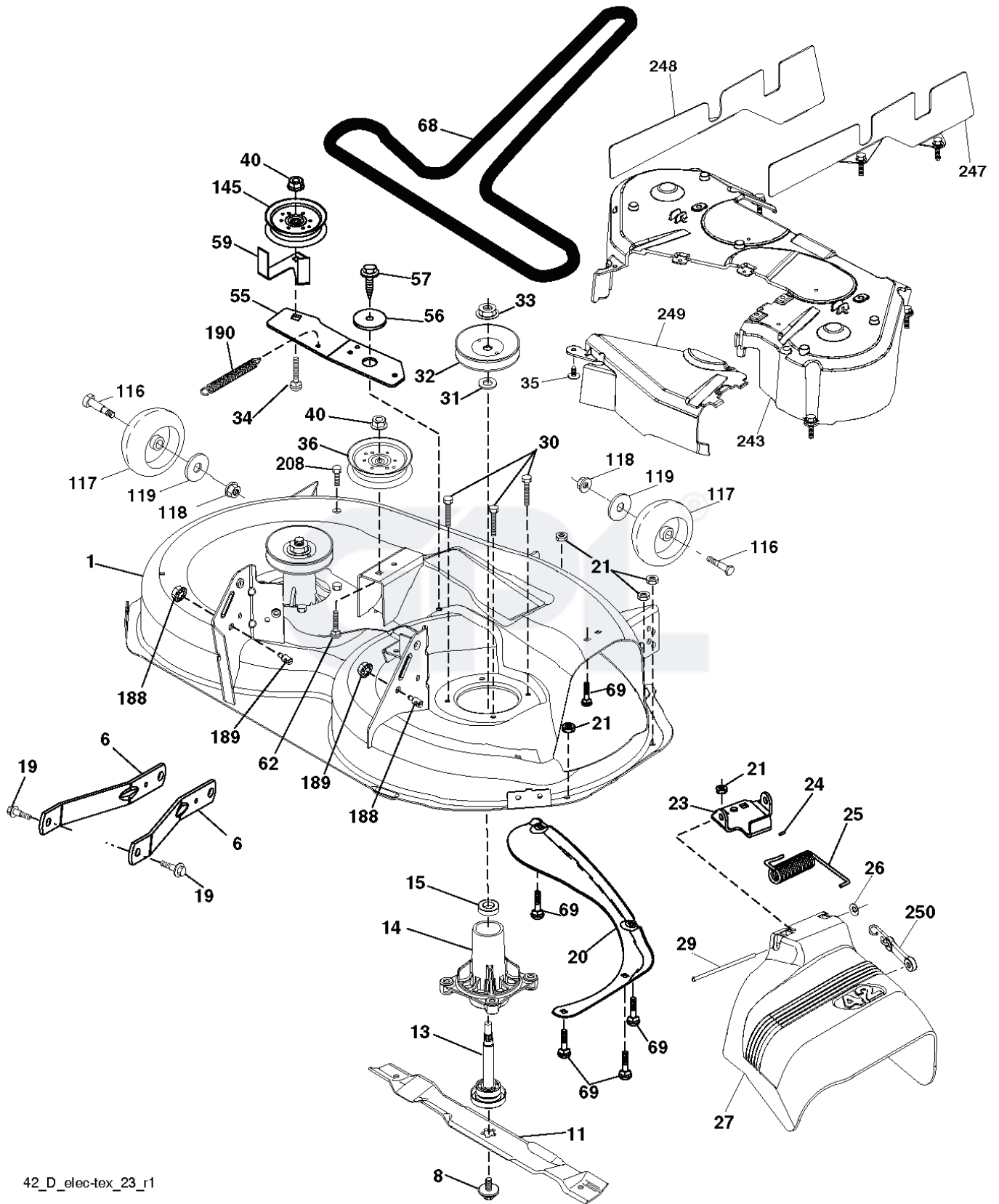




---

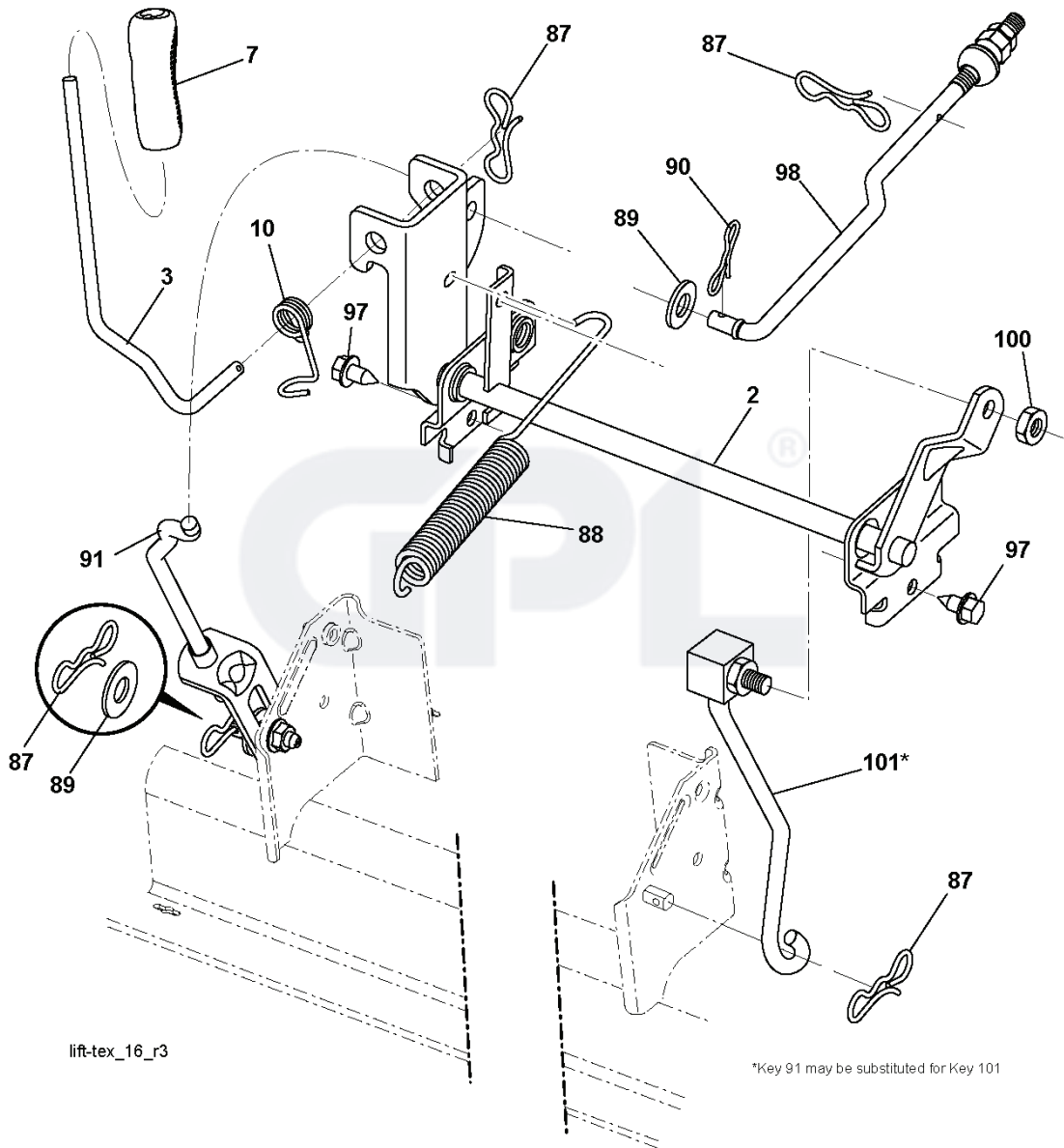
REF.	PART NO.	DESCRIPTION	REMARK	QTY.	KIT
698754	698754	AIR FILTER		1	
273638	273638	PREFILTER		1	
793541	793541	TBD		1	
695666	695666	BENZINFILTER		1	
696854	696854	LFILTER CTH170		1	
532130969	532130969	BELT		1	
532429636	532429636	BELT		1	
532138971	532138971	BLADE		1	

**GPL**®



REF.	PART NO.	DESCRIPTION	REMARK	QTY.	KIT
1	532196495	HOUSING		1	
6	532195186	ARM		1	
8	532193003	SCREW		1	
11	532138971	BLADE		1	
13	532192872	SHAFT ASSY		1	
14	532187281	BEARING HOUSING		1	
15	532110485	BEARING		1	
19	532196539	BOLT		1	
20	532159770	RAIL		1	
21	873680500	NUT		1	
23	532192557	HINGE		1	
24	532105304	HUB CAP		1	
25	532197026	TORSION SPRING		1	
26	532110452	NUT		1	
27	532411485	NONAME		1	
29	532131491	SHAFT		1	
30	532173984	SCREW		1	
31	532187690	WASHER		1	
32	532153535	PULLEY		1	
33	532400234	NUT		1	
34	872110616	BOLT		1	
35	532133835	XMAS TREE FASTNER		1	
36	532197379	PULLEY		1	
40	873900600	NUT		1	
55	532437110	ARM		1	
56	532199092	SPACER		1	
57	817000616	SCREW		1	
59	532141043	GUARD		1	
62	872110612	BOLT		1	
68	532144959	BELT		1	
69	872140505	BOLT		1	
116	532124842	BOLT		1	
117	532188606	WHEEL		1	
118	873900600	NUT		1	
119	819121414	WASHER		1	
145	532193197	PULLEY		1	
188	532195161	STUD		1	
189	873900500	NUT		1	
190	532197251	SPRING		1	
208	817670608	SCREW		1	
243	532432394	COVER		1	
247	532432393	SHIELD		1	
248	532432392	SHIELD		1	
249	532406514	COVER		1	
250	532436087	ELASTIC STRAP	Kit Bungee	1	
--	532192870	SPINDLE	NOT SHOWN	1	
--	532433705	CUTTING DECK	NOT SHOWN	1	





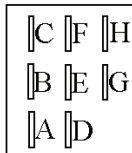
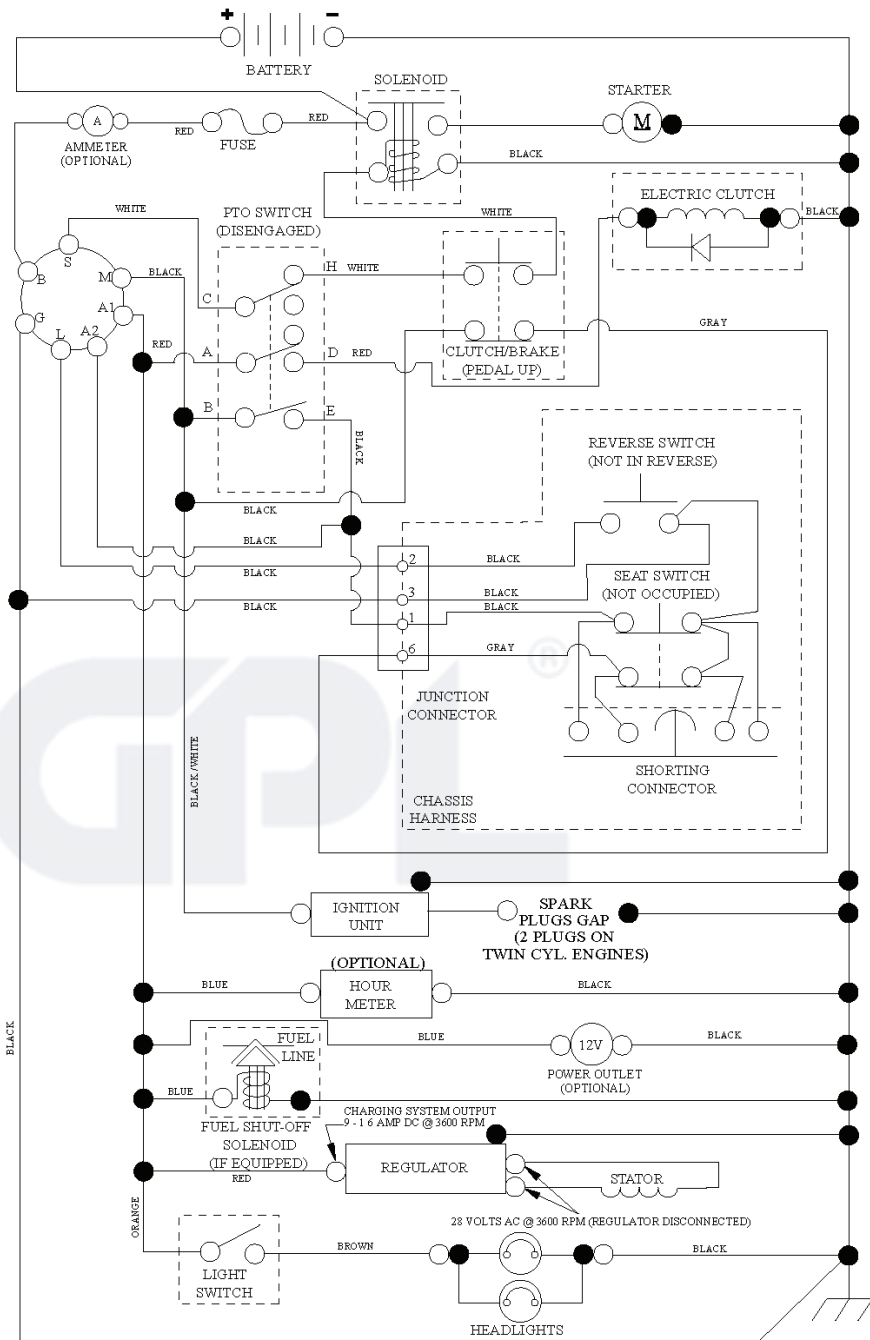
lift-tex\_16\_r3

\*Key 91 may be substituted for Key 101

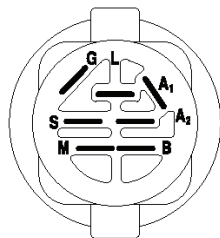
---

REF.	PART NO.	DESCRIPTION	REMARK	QTY.	KIT
2	532422027	SHAFT		1	
3	532195230	LEVER		1	
7	532411555	GRIP		1	
10	532196314	SPRING		1	
87	532194209	SPRING		1	
88	532410710	SPRING		1	
89	819191912	WASHER		1	
90	532194208	PIN		1	
91	532195181	LINK		1	
97	817000612	SCREW		1	
98	532195270	LINK		1	
100	873930600	NUT		1	
101	532407003	LINK		1	

GPL®

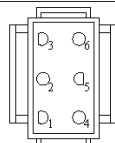


PTO SWITCH  
(MATING SIDE)

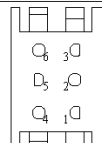


IGNITION SWITCH

POSITION	CIRCUIT	"MAKE"
OFF	M+G+A1	
RUN/OVERRIDE	B+A1	
RUN	B+A1	L+A2
START	B+S+A1	



CHASSIS HARNESS  
CONNECTOR  
(MATING SIDE)



DASH HARNESS  
CONNECTOR

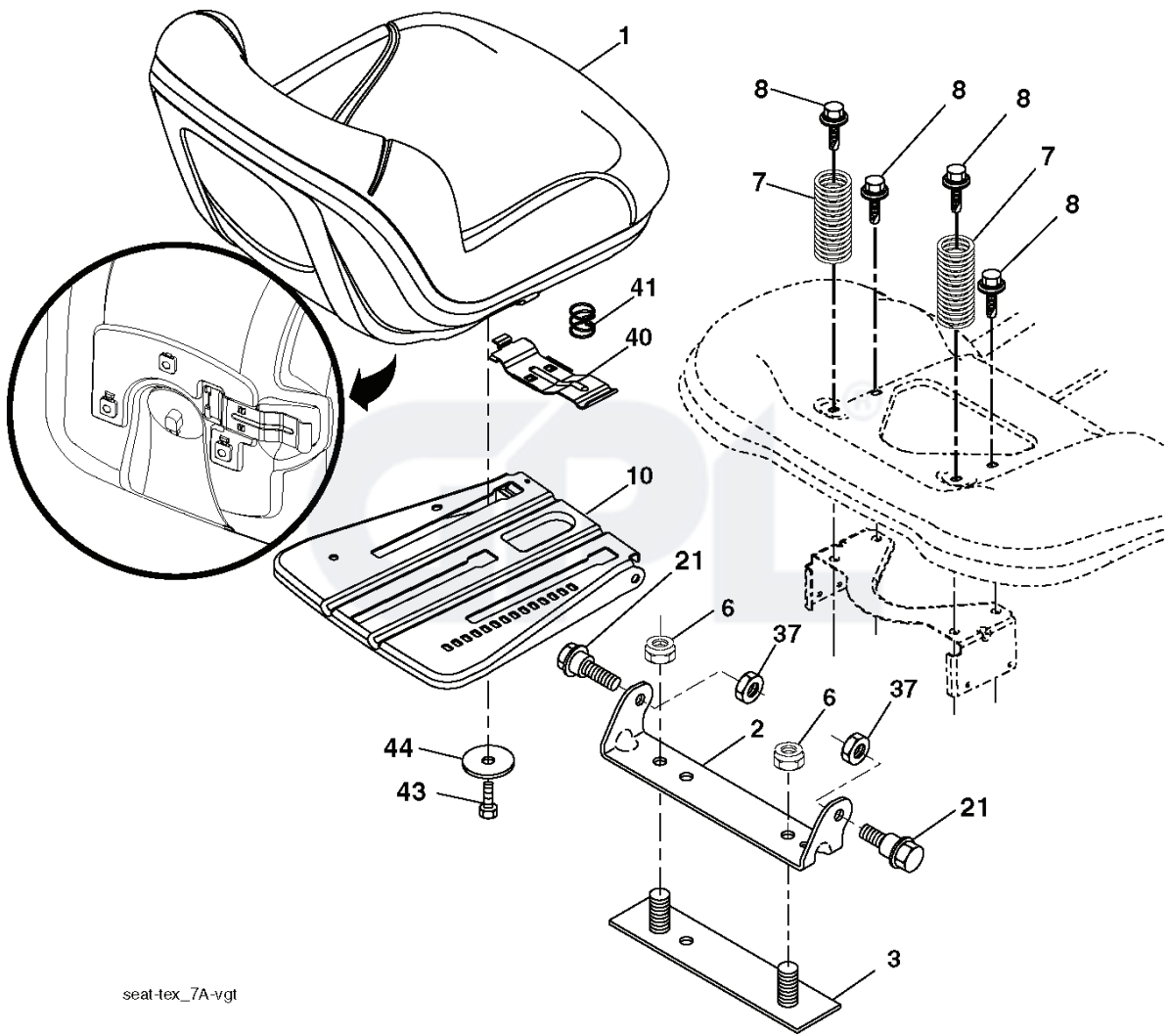
3

WIRING INSULATED CLIPS  
NOTE: IF WIRING INSULATED  
CLIPS WERE REMOVED FOR  
SERVICING OF UNIT, THEY  
SHOULD BE RE-INSTALLED TO  
PROPERLY SECURE YOUR  
WIRING.

●  
NON-REMOVABLE  
CONNECTIONS

○  
REMOVABLE  
CONNECTIONS



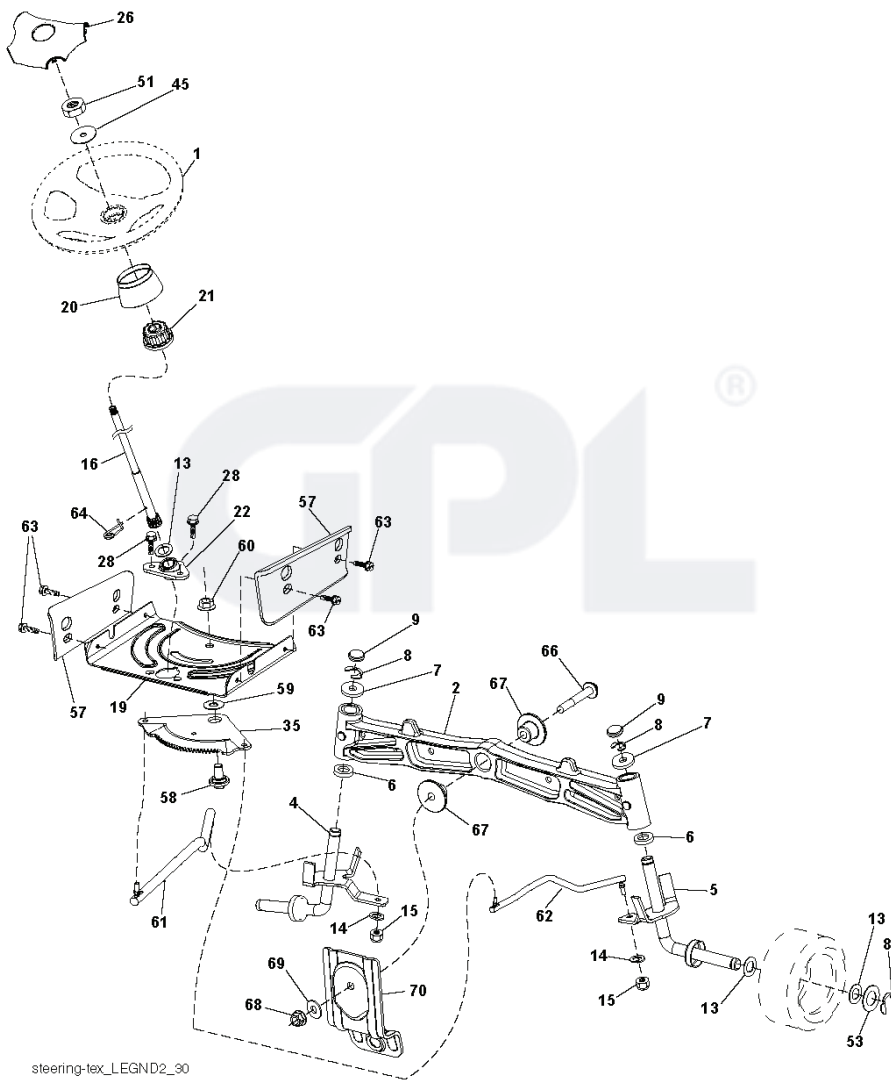


seat-tex\_7A-vgt

---

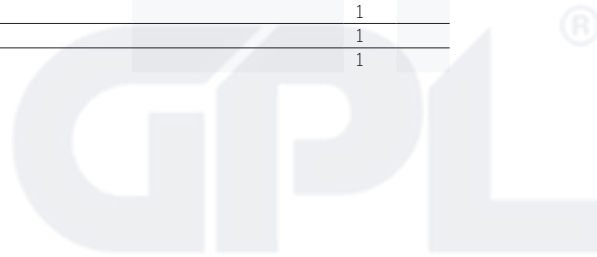
REF.	PART NO.	DESCRIPTION	REMARK	QTY.	KIT
1	532406625	SEAT		1	
2	532180166	BRACKET		1	
3	532140675	STRAP		1	
6	873800600	NUT		1	
7	532124181	SPRING		1	
8	532171877	BOLT		1	
10	532196977	PLATE		1	
21	532171852	BOLT		1	
37	873800500	LOCK NUT		1	
40	532197661	HANDLE		1	
41	532198200	SPRING		1	
43	874760612	BOLT		1	
44	819133812	WASHER		1	

GPL®

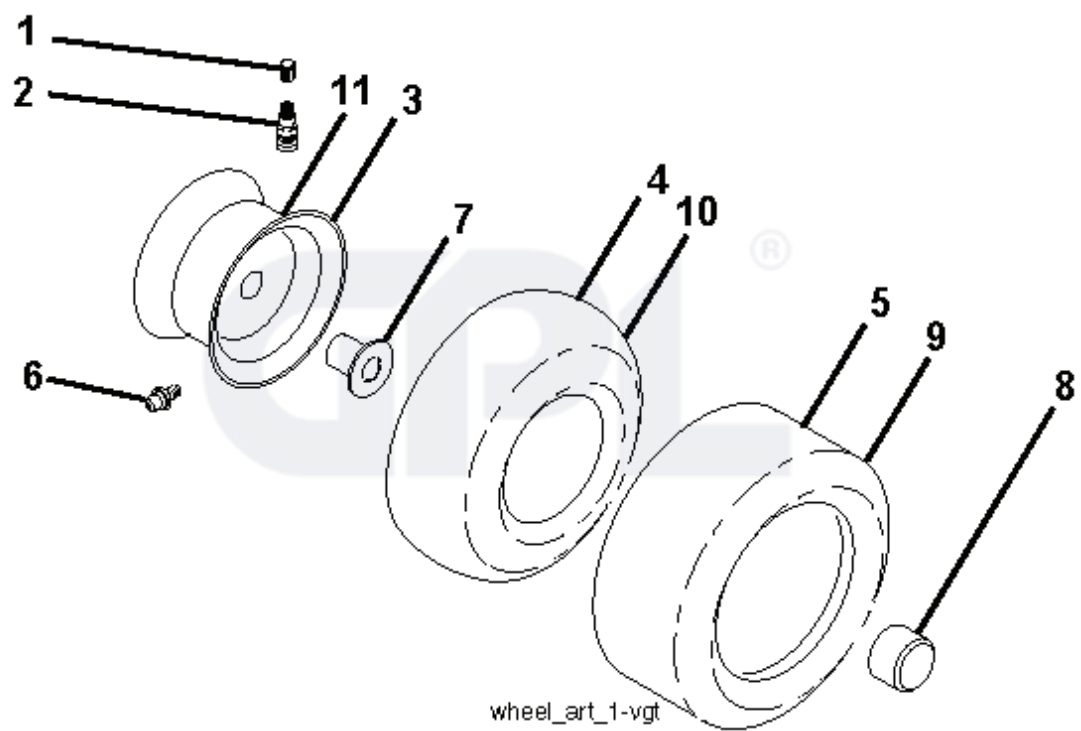


steering-tex\_LEGND2\_30

REF.	PART NO.	DESCRIPTION	REMARK	QTY.	KIT
1	532424146	STEERING WHEEL		1	
2	532195968	SHAFT		1	
4	532403087	SPINDLE		1	
5	532403088	SPINDLE		1	
6	532124931	WASHER		1	
7	532121748	WASHER		1	
8	812000029	RETAINER RING		1	
9	532121232	HUB CAP		1	
13	532121749	WASHER		1	
14	810040600	WASHER		1	
15	873540600	NUT		1	
16	532194746	SHAFT		1	
19	532194729	PLATE		1	
20	532424740	BOOT		1	
21	532186737	ADAPTER		1	
22	532420537	SUPPORT		1	
26	532424147	HUB CAP		1	
28	817000612	SCREW		1	
35	532194732	PLATE		1	
45	819183812	WASHER		1	
51	873940800	NUT		1	
53	532188967	WASHER		1	
57	532407465	BRACKET		1	
58	532194747	BOLT		1	
59	532194748	WASHER		1	
60	873971000	NUT		1	
61	532194740	LINK		1	
62	532194741	LINK		1	
63	817000512	SCREW		1	
64	532199849	SPRING RETAINER		1	
66	871020748	BOLT		1	
67	532194737	BUSHING		1	
68	873900700	NUT		1	
69	532199162	WASHER		1	
70	532196197	BRACKET		1	







REF.	PART NO.	DESCRIPTION	REMARK	QTY.	KIT
1	532059192	CAP VALVE		1	
2	532065139	NIPPLE		1	
3	532138336	RIM	FRONT	1	
4	532059904	HOSE	(Service Item Only)	1	
5	532106222	TIRE	FRONT	1	
6	532124957	FITTING	(Front Wheel Only)	1	
7	532124959	BEARING	(Front Wheel Only)	1	
8	532175039	HUB CAP		1	
9	532122082	TIRE	REAR	1	
10	532124926	HOSE	(Service Item Only)	1	
11	532138337	RIM SPROCKET	REAR	1	
--	532144334	SEALING FOAM		1	
	PART NO.		REMARK		KIT

