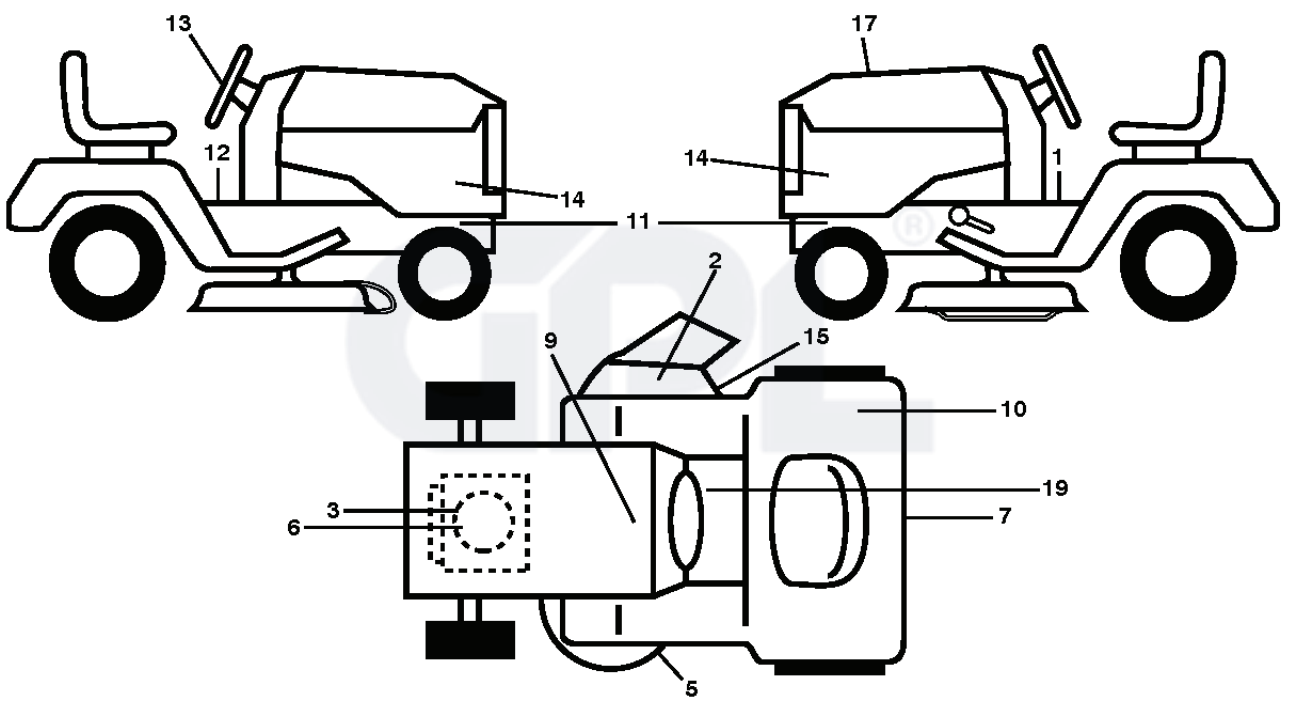


LT2320A2, 96041034700, 2013-06

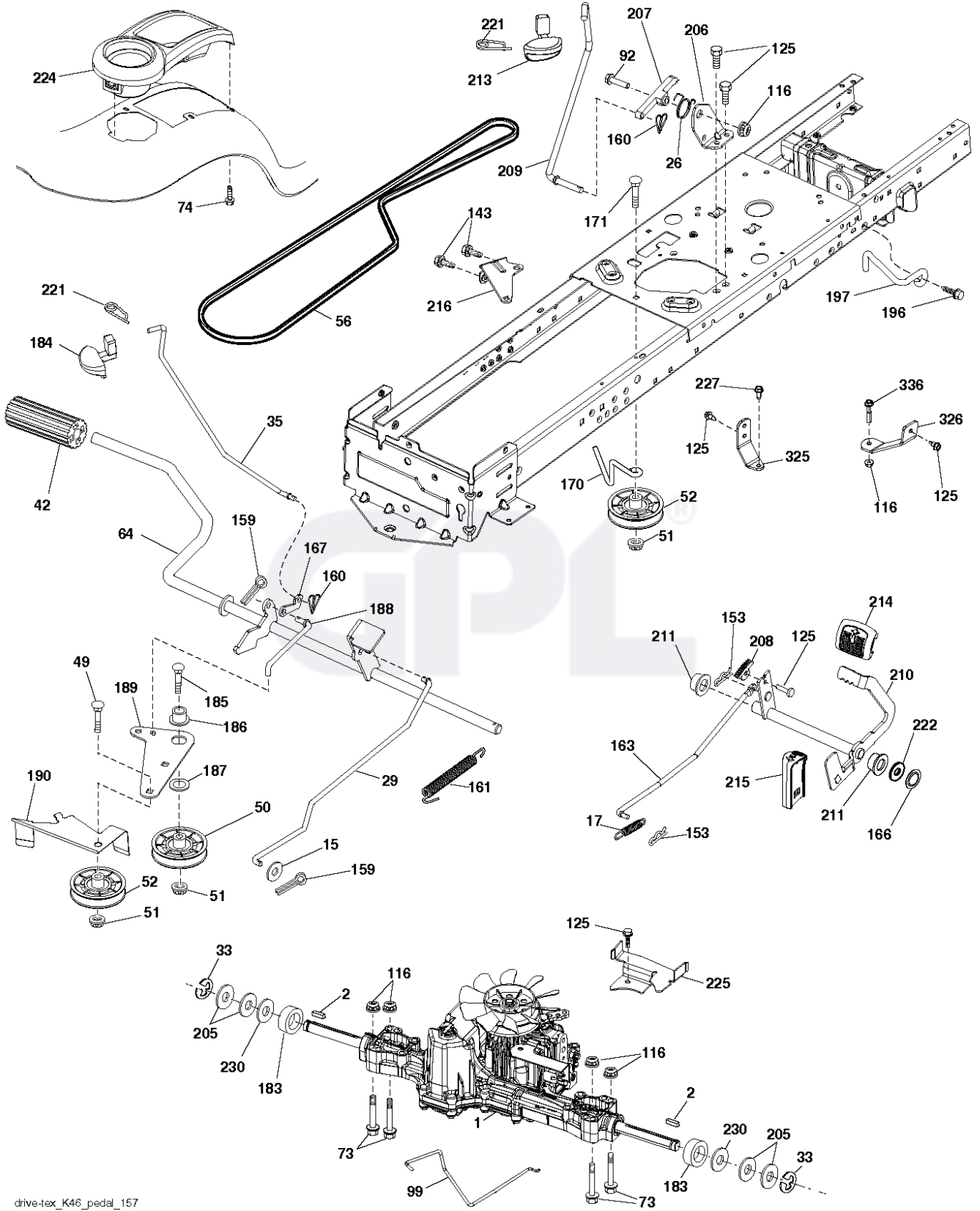


SPARE PARTS LIST

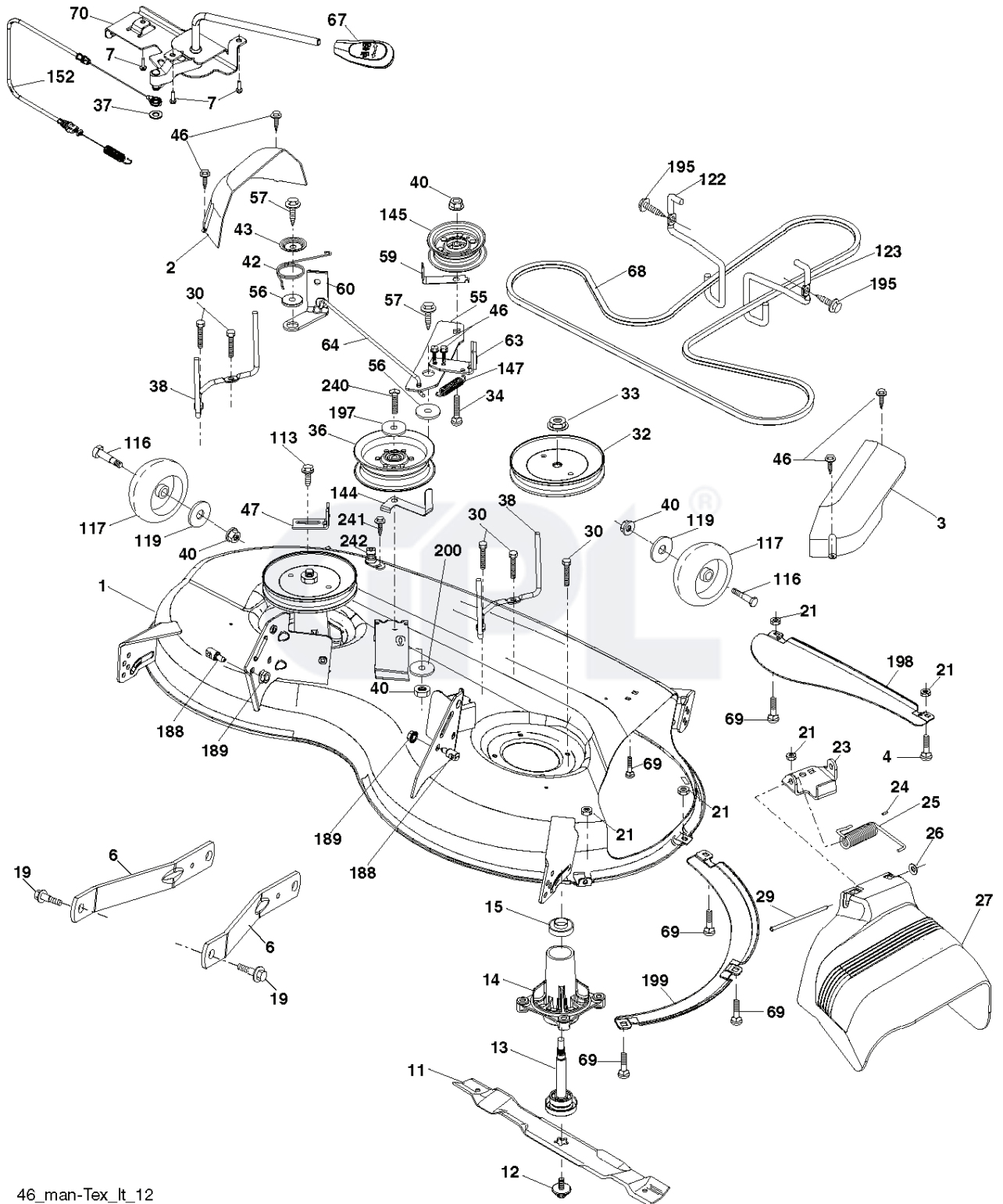


REF.	PART NO.	DESCRIPTION	REMARK	QTY.	KIT
1	581578101	DECAL		1	
2	584904601	DECAL		1	
3	581579701	DECAL		1	
5	581580001	DECAL		1	
6	581594001	DECAL		1	
7	532437443	DECAL		1	
9	532145005	DECAL		1	
10	532180432	DECAL		1	
11	581579601	DECAL		1	
12	532159737	DECAL		1	
13	532437445	DECAL		1	
14	581673601	DECAL		1	
15	581579201	DECAL		1	
17	581601801	DECAL		1	
19	581578001	DECAL		1	
--	532166960	DECAL		1	
--	532162598	DECAL		1	
--	532411903	PAD		1	
--	532412279	PAD		1	

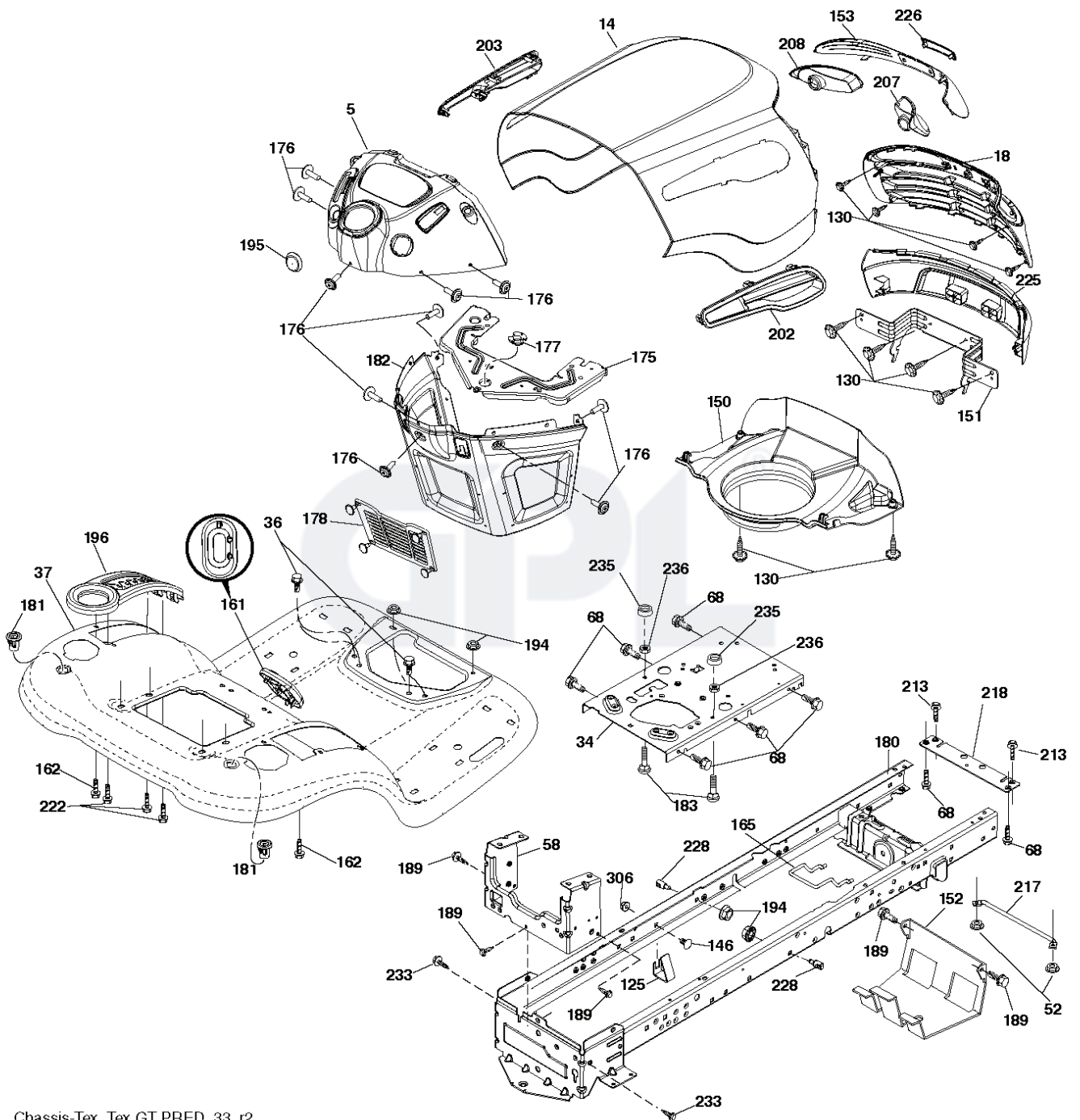




REF.	PART NO.	DESCRIPTION	REMARK	QTY.	KIT
1	000000000	W/O DESCRIPTION	TRANSAXLE TUFFTORQ K46BT (426120)	1	
2	532123583	KEY		1	
15	819131316	WASHER		1	
17	532413678	SRPING.BRAKE.K46.GREEN*SUBS/2*		1	
26	532199679	SPRING		1	
29	532403806	ROD		1	
33	812000001	RETAINER RING		1	
35	583864501	ROD		1	
42	532124872	PEDAL RUBBER		1	
49	872110614	BOLT		1	
50	532194327	PULLEY		1	
51	873900600	NUT		1	
52	532194326	PULLEY		1	
56	532130969	BELT		1	
64	532197865	SHAFT		1	
73	874490540	BOLT		1	
74	532142432	SCREW		1	
92	874760520	BOLT		1	
99	532415742	ROD		1	
116	873900500	NUT		1	
125	817000512	SCREW		1	
143	817490508	SCREW		1	
153	532124788	RETAINER RING		1	
159	876020412	SPLIT PIN		1	
160	532169484	PIN		1	
161	532105709	SPRING		1	
163	532448275	CONTROL		1	
166	532429164	NUT		1	
167	532405257	LATCH		1	
170	532194322	KEEPER		1	
171	872110616	BOLT		1	
183	532137057	SPACER		1	
184	532441455	HANDLE		1	
185	872110622	BOLT		1	
186	532194321	SPACER		1	
187	819133210	WASHER		1	
188	532194323	LINK		1	
189	532194317	PLATE		1	
190	532194318	BELT GUIDE		1	
196	817000616	SCREW		1	
197	532195804	BRACKET		1	
205	532121748	WASHER		1	
206	532448596	BRACKET		1	
207	532197868	LATCH		1	
208	532197869	SUPPORT		1	
209	532199592	ROD		1	
210	532197860	ARM		1	
211	532120183	BEARING		1	
213	532403119	CONTROL		1	
214	532421263	PAD		1	
215	532401723	PEDAL		1	
216	532196131	BRACKET		1	
221	532403187	SPRING		1	
222	879212010	WASHER		1	
224	532412298	CONSOLE		1	
225	532403319	BELT GUIDE		1	
227	817490512	SCREW		1	
230	532188967	WASHER		1	
325	585668502	BRACKET		1	
326	585670802	BRACKET		1	
336	587259601	BOLT		1	



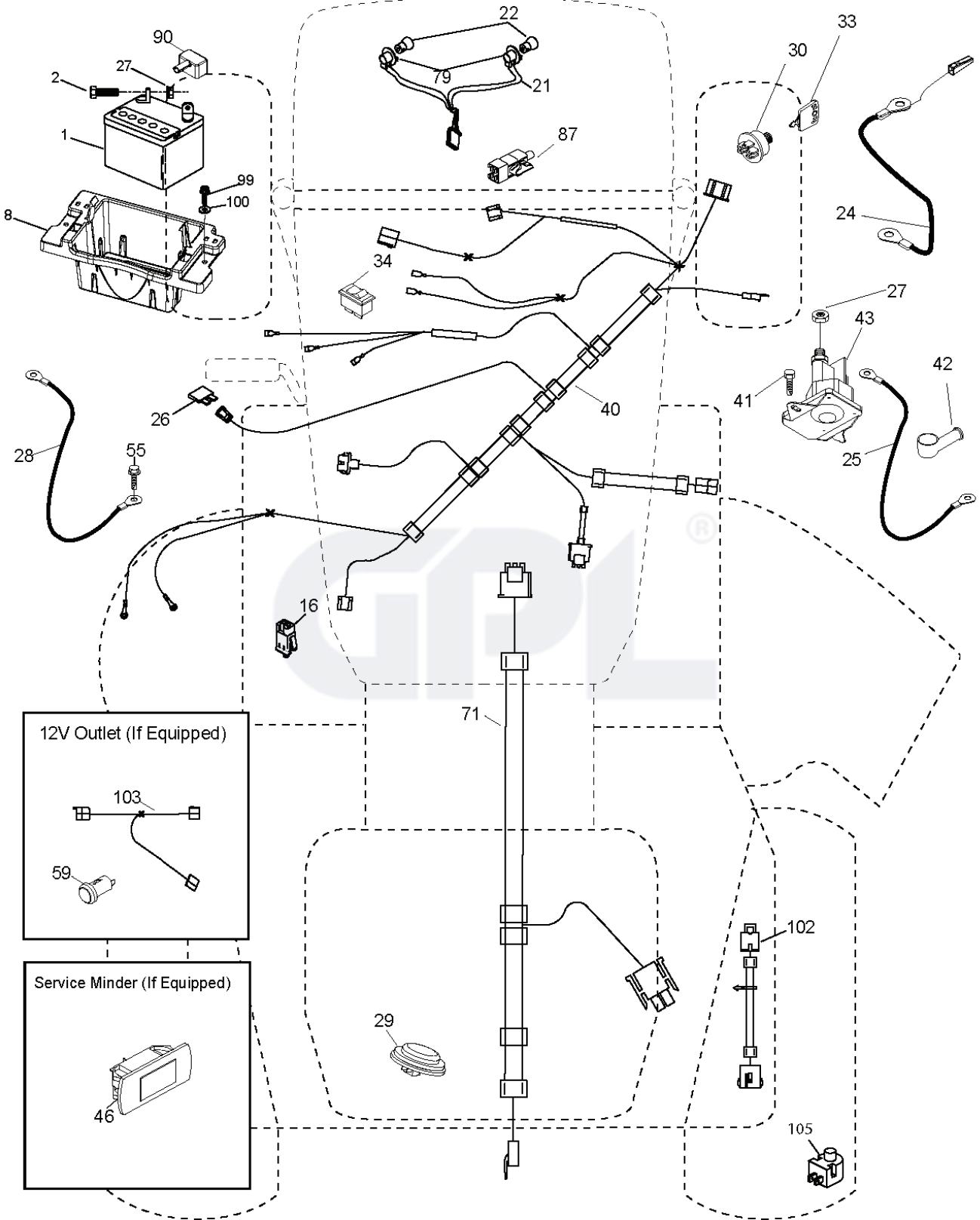
REF.	PART NO.	DESCRIPTION	REMARK	QTY.	KIT
1	532441611	HOUSING		1	
2	532405507	COVER		1	
3	532405506	COVER		1	
4	874760512	BOLT		1	
6	532195186	ARM		1	
7	532416358	SCREW		1	
11	532405380	RIDE ON BLADE		1	
12	584309301	SCREW		1	
13	587256501	SHAFT		1	
14	532187281	BEARING HOUSING		1	
15	585323901	BEARING		1	
19	532196539	BOLT		1	
21	873680500	NUT		1	
23	192557	BRKT.DEFLECTOR.38'2005		1	
24	532105304	HUB CAP		1	
25	532197026	TORSION SPRING		1	
26	532110452	NUT		1	
27	532405357	DEFLECTOR		1	
29	532131491	SHAFT		1	
30	532173984	SCREW		1	
32	532197473	PULLEY		1	
33	532400234	NUT		1	
34	872110612	BOLT		1	
36	532197379	PULLEY		1	
37	819131316	WASHER		1	
38	532432520	KEEPER		1	
40	873900600	NUT		1	
42	532197256	SPRING		1	
43	532198410	SPRING		1	
46	532137729	SCREW		1	
47	532197242	BELT		1	
55	532197249	ARM		1	
56	532199092	SPACER		1	
57	817000616	SCREW		1	
59	532141043	GUARD		1	
60	532199471	ARM		1	
63	532199477	ARM		1	
64	532405138	LINKAGE.ASM.BRAKE.RAW *SUBS/2*		1	
67	532403012	HANDLE		1	
68	532405143	BELT		1	
69	872140505	BOLT		1	
70	532199972	CLUTCH ASSY		1	
113	872110508	BOLT		1	
116	532193406	BOLT		1	
117	532174873	WHEEL		1	
119	819132012	WASHER		1	
122	532197258	BELT GUIDE		1	
123	532197259	BELT GUIDE		1	
144	532199204	BELT GUIDE		1	
145	532193197	PULLEY		1	
147	532401872	SPRING		1	
152	532435111	CABLE		1	
188	532195161	STUD		1	
189	873900500	NUT		1	
195	817000612	SCREW		1	
197	819131312	WASHER		1	
198	532403149	PLATE		1	
199	532403150	PLATE		1	
200	532413524	WASHER		1	
240	874520636	BOLT		1	
241	532152927	SCREW		1	
242	532415598	HOSE COUPLING		1	
--	587253301	MANDREL		1	
--	581865701	DECK		1	



Chassis-Tex_Tex GT PRED_33_r2

REF.	PART NO.	DESCRIPTION	REMARK	QTY.	KIT
5	532441882	DASH		1	
14	532443824	HOOD		1	
18	532427333	GRILLE		1	
34	580910801	CHASSIS		1	
36	817060512	SCREW		1	
37	532443816	FENDER		1	
52	873680500	NUT		1	
58	532412281	PLATE		1	
68	817490508	SCREW		1	
125	581684801	CLIP		1	
130	532416358	SCREW		1	
146	581857901	BOLT		1	
150	584862901	DUCT		1	
151	532445494	BRACKET		1	
152	532199535	SHIELD		1	
153	532424717	LENS		1	
161	532411879	WINDOW		1	
162	532142432	SCREW		1	
165	532196826	BRACKET		1	
175	532196304	SUPPORT		1	
176	532400776	SCREW		1	
177	532195227	BUSHING		1	
178	532199782	NET		1	
180	532415064	FRAME		1	
181	532404796	BUSHING		1	
182	532406859	DASH		1	
183	874520520	BOLT		1	
189	817000512	SCREW		1	
194	873900500	NUT		1	
195	532404137	TROU*RPLPAR 532401556428		1	
196	532411878	CONSOLE		1	
202	532445426	COVER		1	
203	532445583	COVER		1	
207	532198963	REFLECTOR		1	
208	532198964	REFLECTOR		1	
213	874760512	BOLT		1	
217	532409167	ROD		1	
218	532196395	PLATE		1	
222	532137729	SCREW		1	
225	532443825	BUMPER		1	
226	532424716	LOGOTYPE		1	
228	532195161	STUD		1	
233	532196539	BOLT		1	
235	532406129	SPACER		1	
236	873930500	NUT		1	
306	873900600	NUT		1	
--	532400944	FRONT BUMPER *SUBS/2*		1	

T05S



12V Outlet (If Equipped)

103

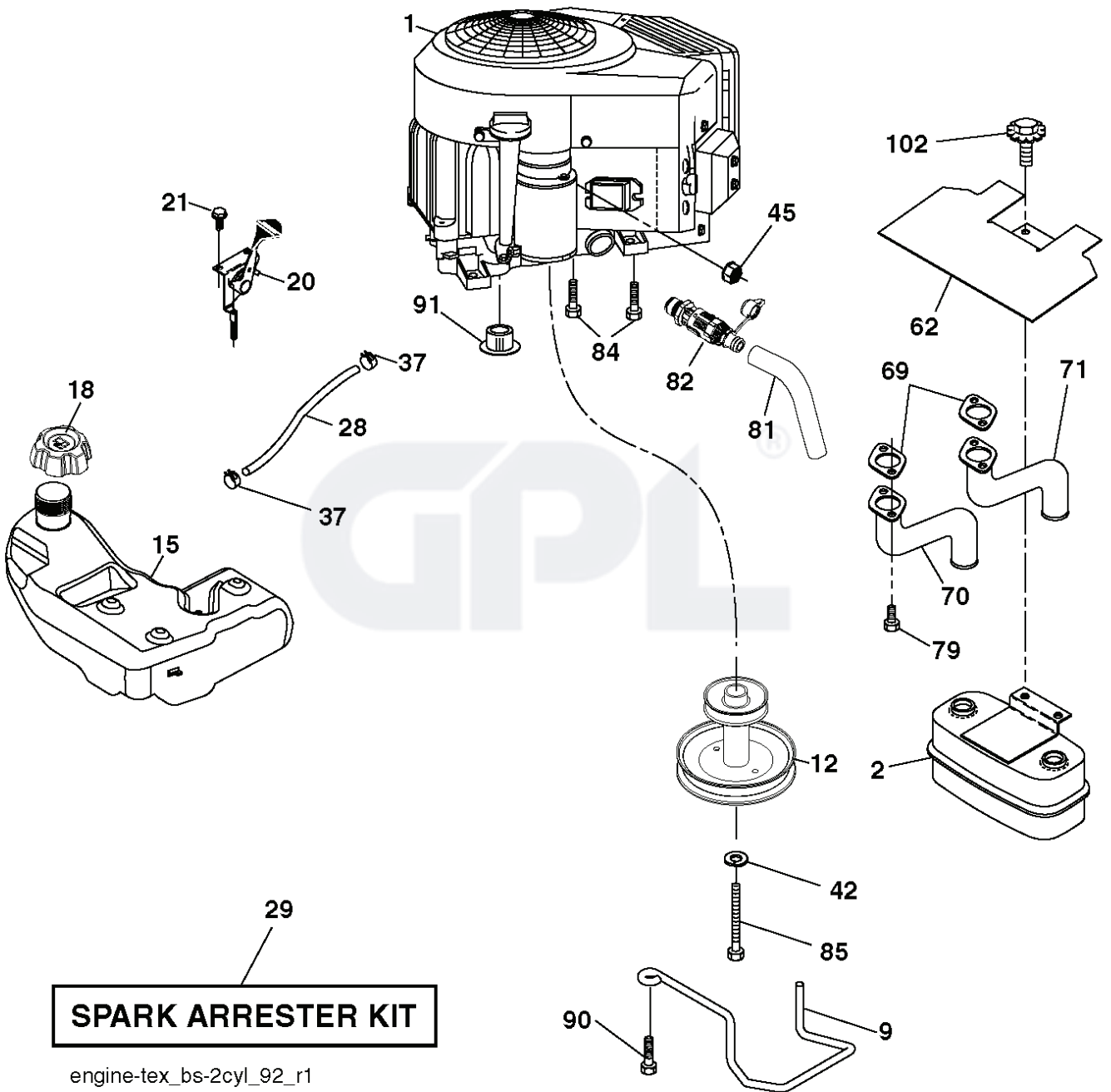
59

Service Minder (If Equipped)

46

REF.	PART NO.	DESCRIPTION	REMARK	QTY.	KIT
1	532163465	BATTERY		1	
2	874760412	BOLT		1	
8	587205101	TRAY		1	
16	532176138	MICRO SWITCH		1	
21	532400252	HARNESS		1	
22	532004152	BULB		1	
24	585555601	CABLE		1	
25	585555501	CABLE		1	
26	532175158	FUSE		1	
27	873510400	NUT		1	
28	532416588	CABLE		1	
29	532401545	SWITCH		1	
30	532193350	IGNITION MODULE		1	
33	532411935	KEY		1	
34	532110712	SWITCH		1	
40	532401098	CABLE		1	
41	817720408	SCREW		1	
42	532131563	COVER		1	
43	532192507	SOLENOID		1	
46	532401763	DISPLAY		1	
55	817060512	SCREW		1	
71	532194276	CABLE ASSY		1	
79	532175242	HOLDER		1	
87	532197802	SWITCH		1	
90	532435395	TERMINAL COVER		1	
99	817670412	SCREW		1	
100	819091416	WASHER		1	
102	532404454	CABLE		1	
105	532407568	SWITCH		1	



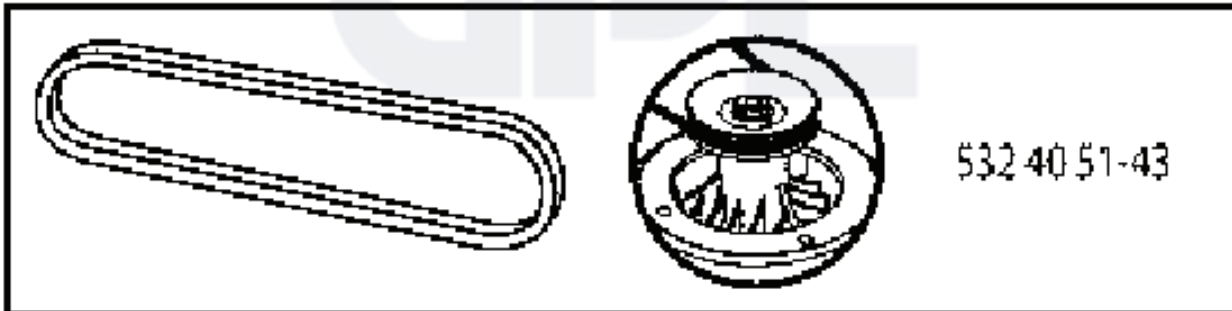
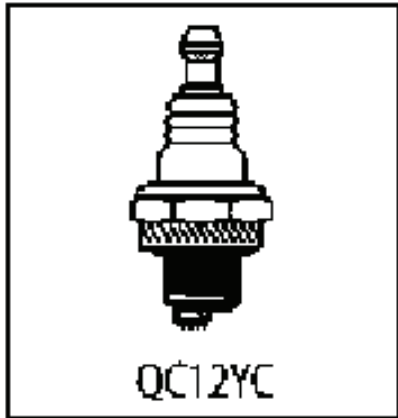
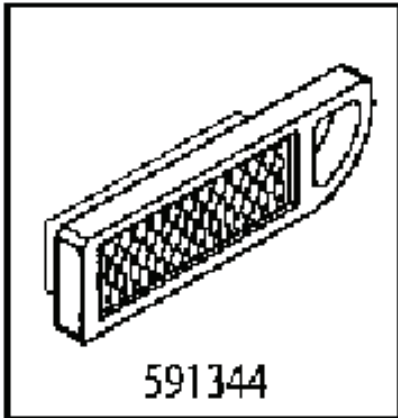


SPARK ARRESTER KIT

engine-tex_bs-2cyl_92_r1

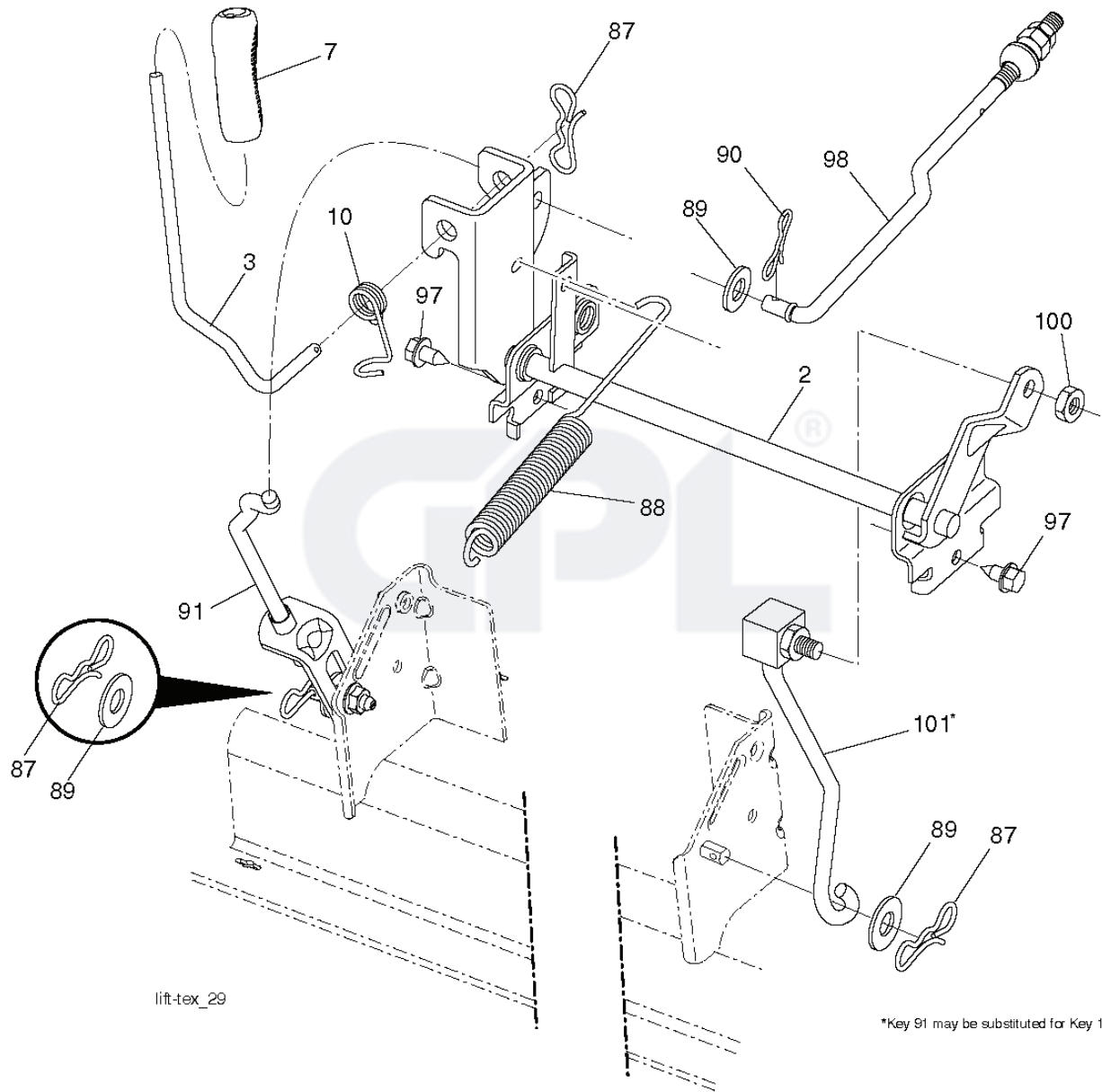
REF.	PART NO.	DESCRIPTION	REMARK	QTY.	KIT
1	000000000	W/O DESCRIPTION	B&S 40R777-0004-B1 (585767101)	1	
2	532149723	MUFFLER		1	
9	532194320	BELT GUIDE		1	
12	532405472	PULLEY		1	
15	532193499	FUEL TANK		1	
18	532430218	HUB CAP		1	
20	532423502	CONTROL		1	
21	532416358	SCREW		1	
28	532137040	HOSE		1	
29	532137180	SPARK ARRESTER KIT		1	
37	532123487	HOSE CLAMP		1	
42	810040700	WASHER		1	
45	873510400	NUT		1	
62	532434017	SHIELD		1	
69	532165391	GASKET		1	
70	532159955	TUBE		1	
71	532160589	TUBE		1	
79	532183906	SCREW		1	
81	532148456	TUBE		1	
82	532428287	PLUG		1	
84	817060620	SCREW		1	
85	532173937	BOLT		1	
90	817000616	SCREW		1	
91	532187495	BUSHING		1	
102	817000512	SCREW		1	





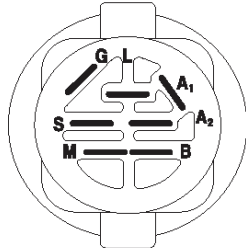
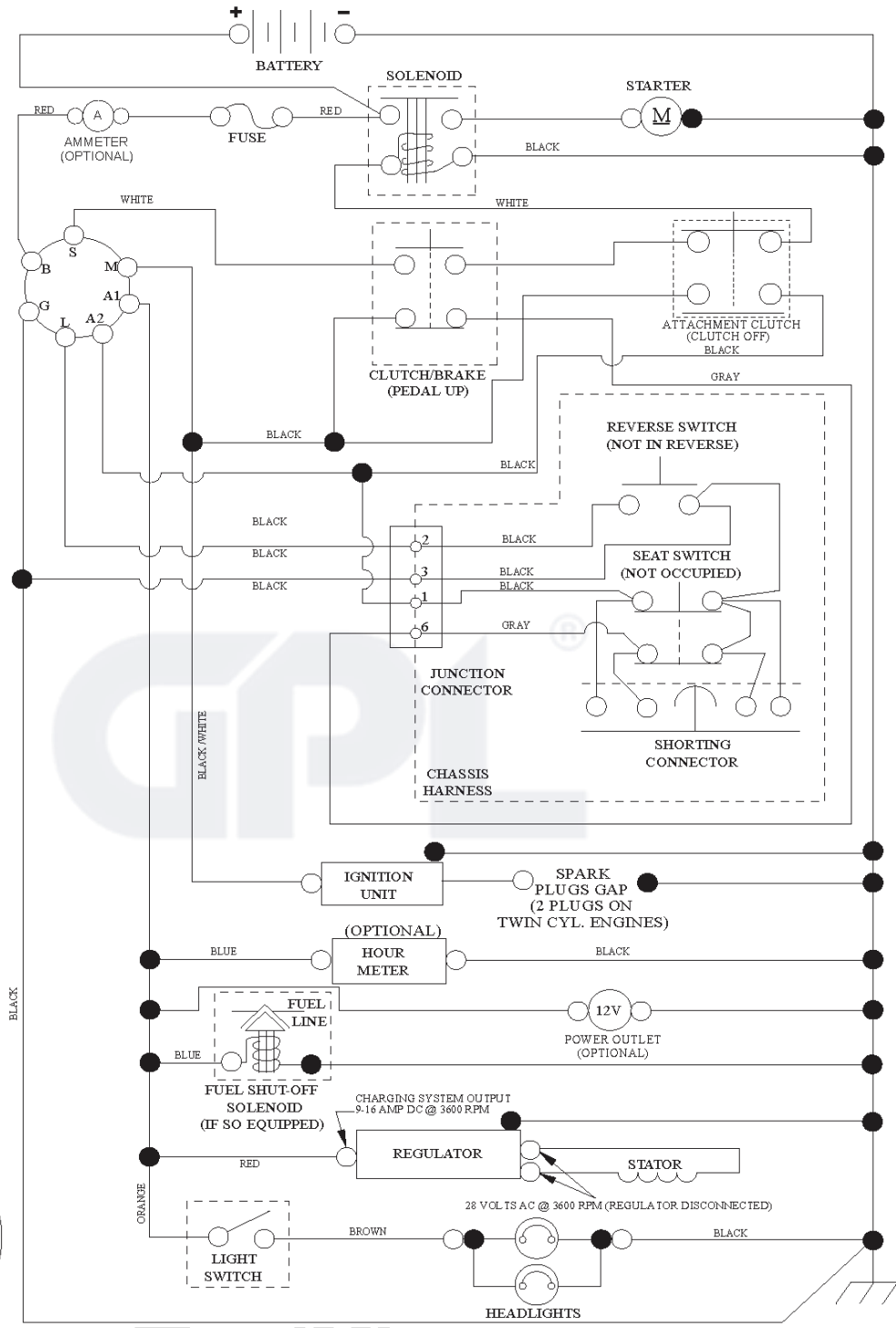
REF.	PART NO.	DESCRIPTION	REMARK	QTY.	KIT
591344	TBD	TBD		1	
QC12YC				1	
695666	695666	BENZINFILTER		1	
696854	696854	LFILTER.CTH170		1	
532130969	532130969	BELT		1	
532405143	532405143	BELT		1	
581043901	532405380	RIDE ON BLADE		1	





REF.	PART NO.	DESCRIPTION	REMARK	QTY.	KIT
2	532422027	SHAFT		1	
3	532195230	LEVER		1	
7	580962301	GRIP		1	
10	532196314	SPRING		1	
87	532194209	SPRING		1	
88	532410710	SPRING		1	
89	819191912	WASHER		1	
90	532194208	PIN		1	
91	532195181	LINK		1	
97	817000612	SCREW		1	
98	532195264	LINK		1	
100	873930600	NUT		1	
101	532407003	LINK		1	

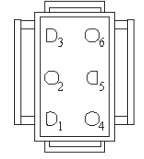




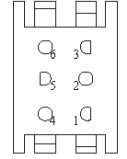
IGNITION SWITCH

POSITION	CIRCUIT	"MAKE"
OFF	M+G+A1	
RUN/OVERRIDE	B+A1	
RUN	B+A1	L+A2
START	B + S + A1	

03107



CHASSIS HARNESS CONNECTOR (MATING SIDE)



DASH HARNESS CONNECTOR (MATING SIDE)

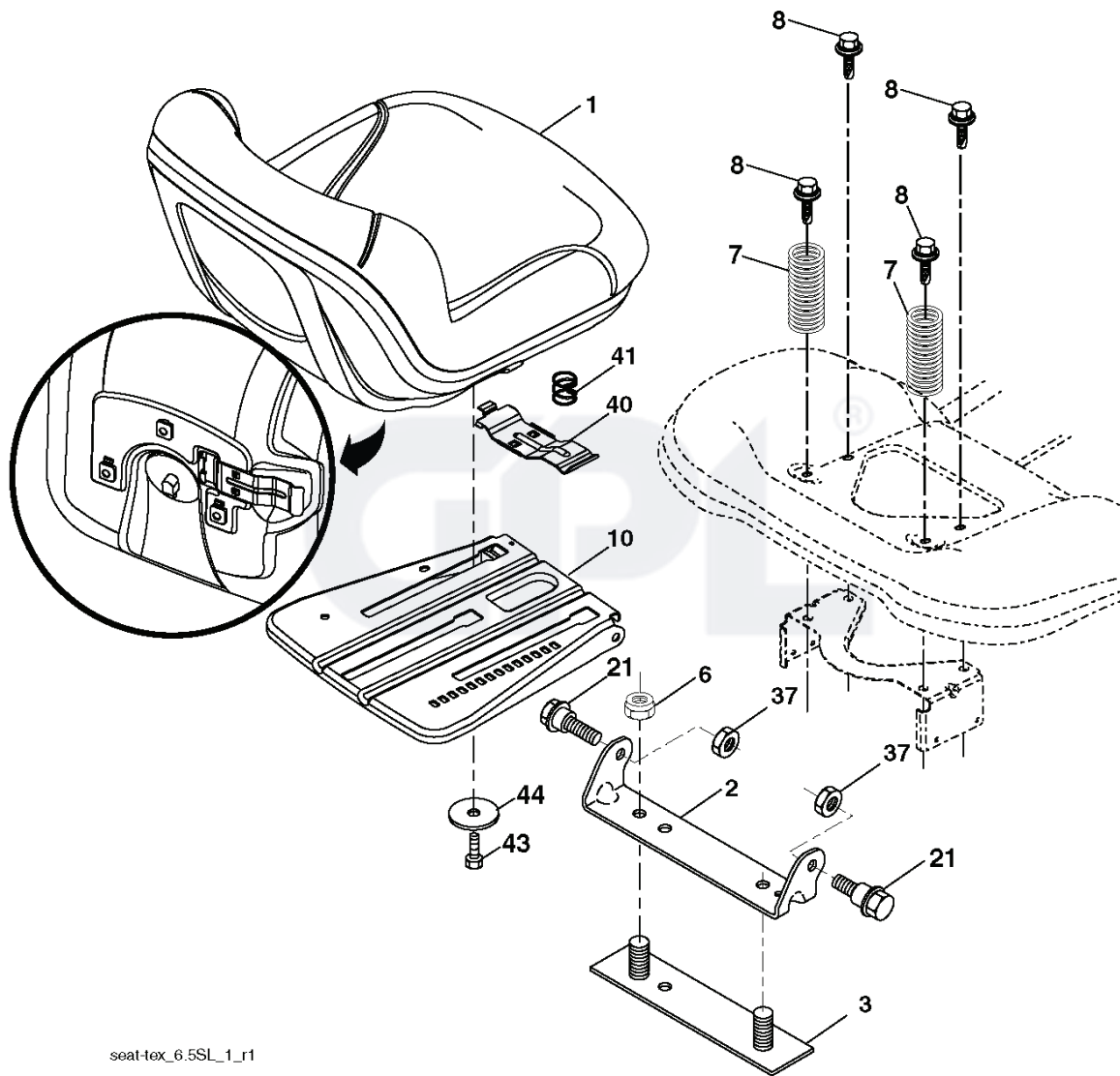
WIRING INSULATED CLIPS
 NOTE: IF WIRING INSULATED CLIPS WERE REMOVED FOR SERVICING OF UNIT, THEY SHOULD BE RE-INSTALLED TO PROPERLY SECURE YOUR WIRING.



NON-REMOVABLE CONNECTIONS



REMOVABLE CONNECTIONS

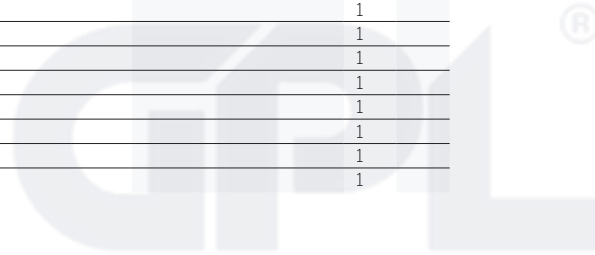


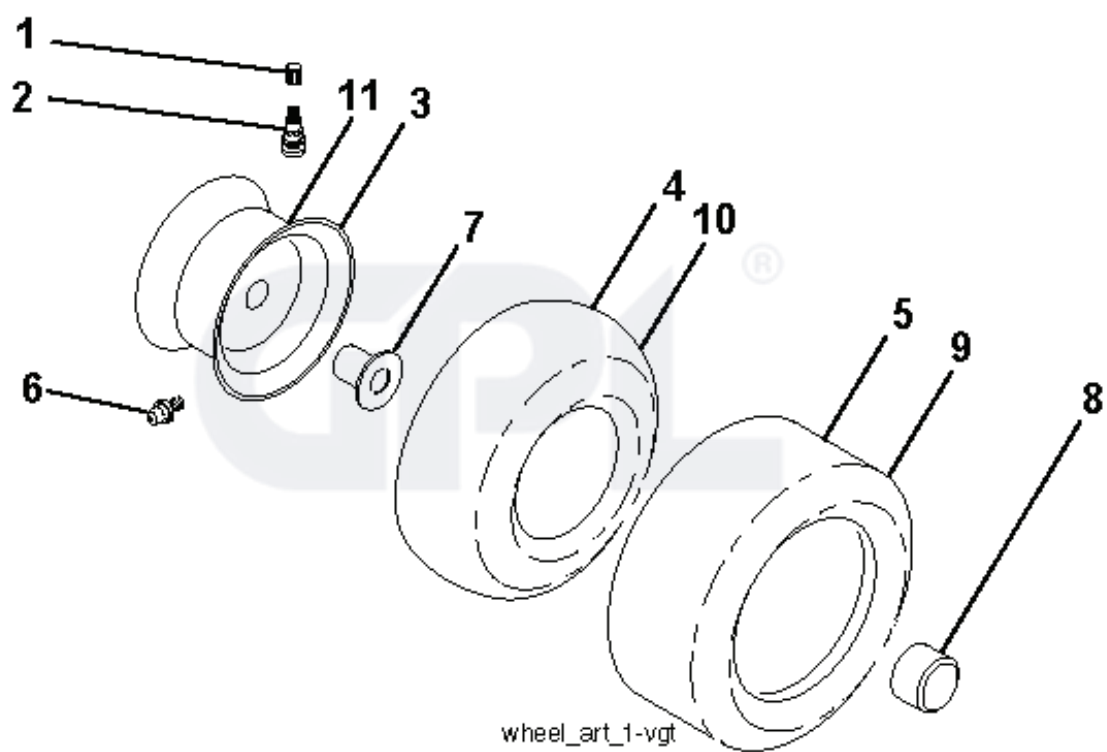
seat-tex_6.5SL_1_r1

REF.	PART NO.	DESCRIPTION	REMARK	QTY.	KIT
1	532406625	SEAT		1	
2	532180166	BRACKET		1	
3	532140675	STRAP		1	
6	873800600	NUT		1	
7	532124181	SPRING		1	
8	532171877	BOLT		1	
10	532196977	PLATE		1	
21	532171852	BOLT		1	
37	873800500	LOCK NUT		1	
40	532197661	HANDLE		1	
41	532198200	SPRING		1	
43	874760612	BOLT		1	
44	819133812	WASHER		1	

GPL®

REF.	PART NO.	DESCRIPTION	REMARK	QTY.	KIT
1	532424146	STEERING WHEEL		1	
2	532413591	LINK ARM		1	
4	532403087	SPINDLE		1	
5	532403088	SPINDLE		1	
6	532124931	WASHER		1	
7	532121748	WASHER		1	
8	812000029	RETAINER RING		1	
9	532121232	HUB CAP		1	
13	532121749	WASHER		1	
14	810040600	WASHER		1	
15	873540600	NUT		1	
16	587016002	SHAFT		1	
19	532194729	PLATE		1	
20	532424740	BOOT		1	
21	586840201	ADAPTER		1	
22	585029802	BEARING		1	
26	532424147	HUB CAP		1	
27	819211616	WASHER		1	
28	817000612	SCREW		1	
35	532194732	PLATE		1	
45	587016401	WASHER		1	
50	873900600	NUT		1	
53	532188967	WASHER		1	
57	532407465	BRACKET		1	
58	532194747	BOLT		1	
59	532194748	WASHER		1	
60	873971000	NUT		1	
61	532194740	LINK		1	
62	532194741	LINK		1	
63	817000512	SCREW		1	
64	532199849	SPRING RETAINER		1	
66	871020748	BOLT		1	
67	532194737	BUSHING		1	
68	873900700	NUT		1	
69	532199162	WASHER		1	
70	532196197	BRACKET		1	
75	580683701	PINION		1	
76	580683601	SCREW		1	
118	532406013	BEARING		1	
122	532444962	CAP		1	





REF.	PART NO.	DESCRIPTION	REMARK	QTY.	KIT
1	532059192	CAP VALVE		1	
2	532065139	NIPPLE		1	
3	532138336	RIM	FRONT	1	
4	532059904	HOSE	(Service Item Only)	1	
5	532106222	TIRE	FRONT	1	
6	532124957	FITTING	(Front Wheel Only)	1	
7	532124959	BEARING	(Front Wheel Only)	1	
8	532175039	HUB CAP		1	
9	532122082	TIRE	REAR	1	
10	532124926	HOSE	(Service Item Only)	1	
11	532138337	RIM SPROCKET	REAR	1	
--	532144334	SEALING FOAM		1	
	PART NO.		REMARK		KIT

