

LTH 18

Spare parts

Ersatzteile

Pièces détachées

Reserve onderdelen

Repuestos

Reservdelar

Replaces

Ersetzt

Remplace

Vervangt

Reemplaza

Ersätter

106 24 88-63

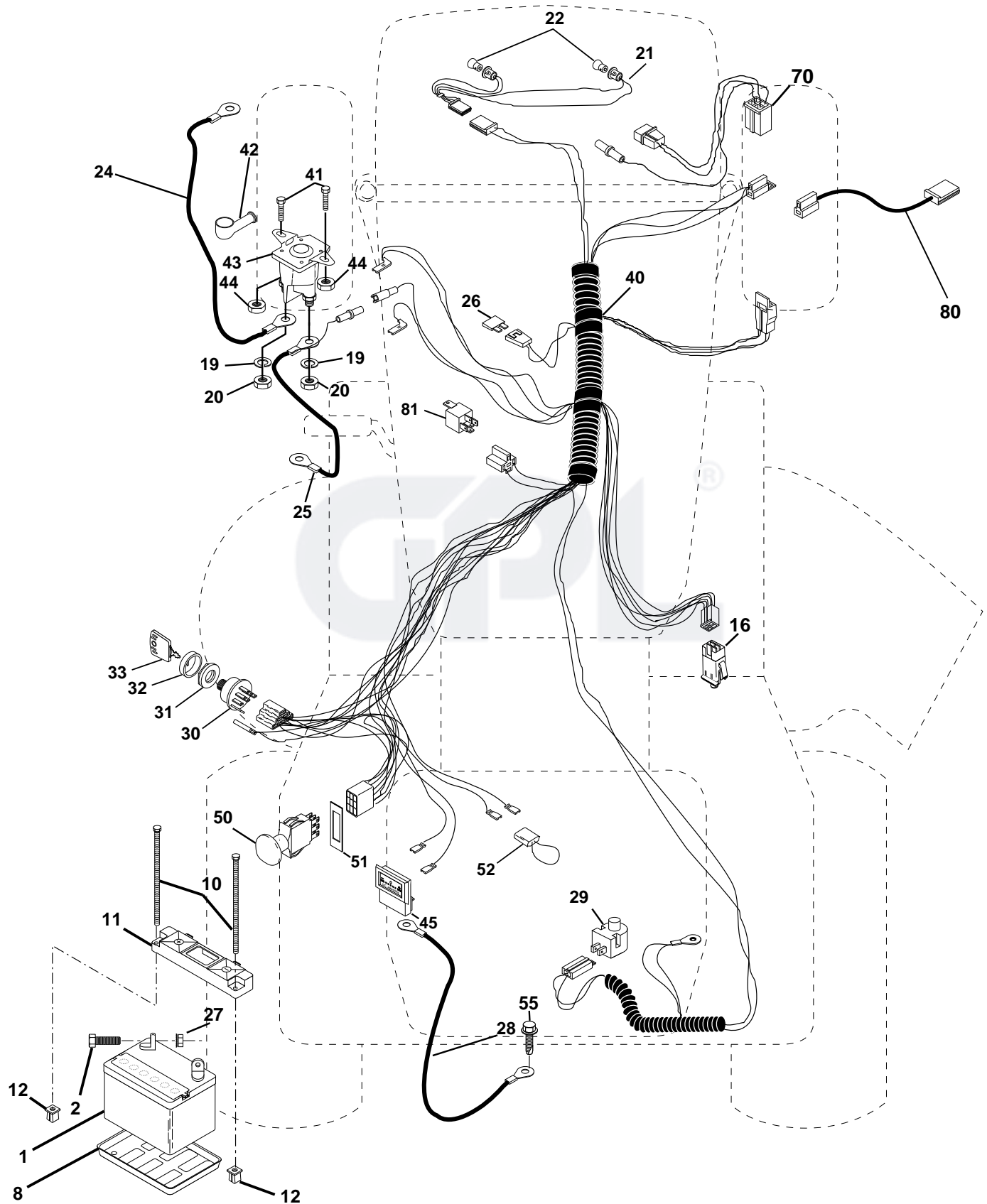
Page "Decals"

***Note: Not in stock, but can be delivered directly from factory.**

GPL®

REPAIR PARTS

TRACTOR -- MODEL NUMBER LTH18 (J18H46C), PRODUCT NO. 954 13 00-26
ELECTRICAL



REPAIR PARTS

TRACTOR - - MODEL NUMBER LTH18 (J18H46C), PRODUCT NO. 954 13 00-26

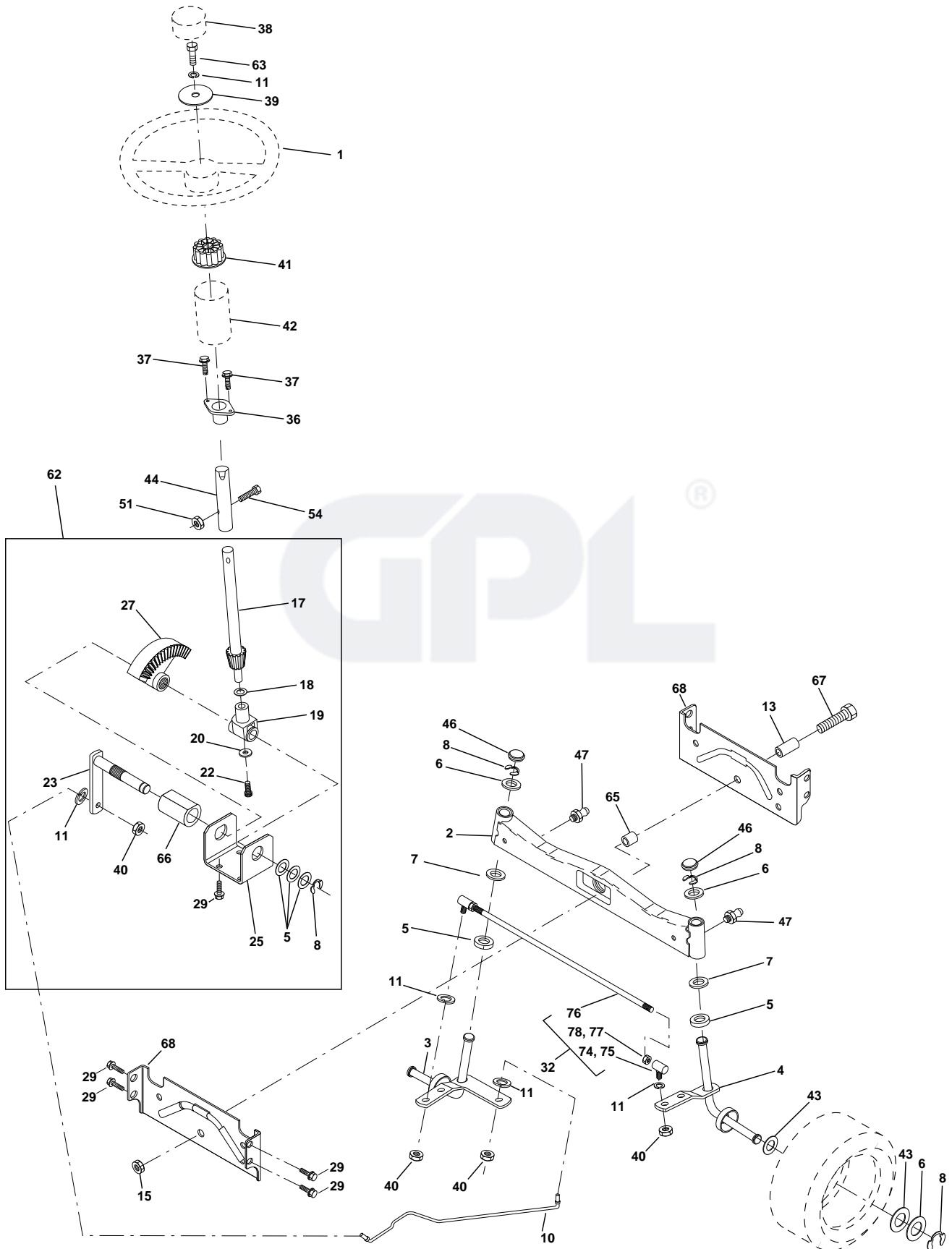
ELECTRICAL

KEY NO.	PART NO.	DESCRIPTION
1	532163465	Battery 12 Volt 28 AMP
2	874760412	Bolt Hex Hd 1/4-20unc X 3/4
8	532124886	Tray Brty 7.80 x 5.25 Blk
10	532145211	Bolt Btr Frt 1/4-20 x 7.5 zinc
11	532150109	Holddown Battery mount
12	532145769	Nut Push Nylon 1/4 Battery Frt.
16	532153664	Switch Interlock Push-In
19	810090400	Washer Lock 1/4
20	873350400	Nut Jam Hex 1/4-20 Unc
21	532147430	Harness Asm Light W/4152j
22	532004152	Bulb Light #1156
24	532124780	Cable Battery 6 Ga 11" red
25	532146148	Cable Battery 6 Ga 22" w/16W
26	532108824	Fuse 30 AMP Auto Green
27	873510400	Nut Keps Hex 1/4-20 Unc
28	532145491	Cable Ground 21" Blk 6 Ga 90T
29	532160784	Switch Plunger Normal OP Olive
30	532140301	Switch Ign 4 pos w/lights
31	532124211	Nut Ignition
32	532141226	Cover Sw Ignition
33	532122147	Key Ign Modledeed Generic
40	532160720	Harness Ign. Elec Cl Am Hm STL
41	871110408	Bolt Blk Fin Hex 1/4 - 20 x 1/2
42	532131563	Cover Terminal Red
43	532145673	Solenoid
44	873640400	Nut Keps Hex 1/4-20 Unc
45	532122822	Ammeter Rectangular 15 Amp
50	532154959	Switch PTO 3 PTD Black
51	532140405	Ring Retainer PTO
52	532141940	Protection Wire Loop
55	817490508	Screw Thdrol 5/16-18 x 1/2 Typ
70	532143346	Harness, Eng.
80	532146685	Harness Clutch EVX
81	532109748	Relay ASM

NOTE: All component dimensions given in U.S. inches.
1 inch = 25.4 mm.

REPAIR PARTS

TRACTOR - - MODEL NUMBER LTH18 (J18H46C), PRODUCT NO. 954 13 00-26
STEERING ASSEMBLY



REPAIR PARTS

TRACTOR - - MODEL NUMBER LTH18 (J18H46C), PRODUCT NO. 954 13 00-26
STEERING ASSEMBLY

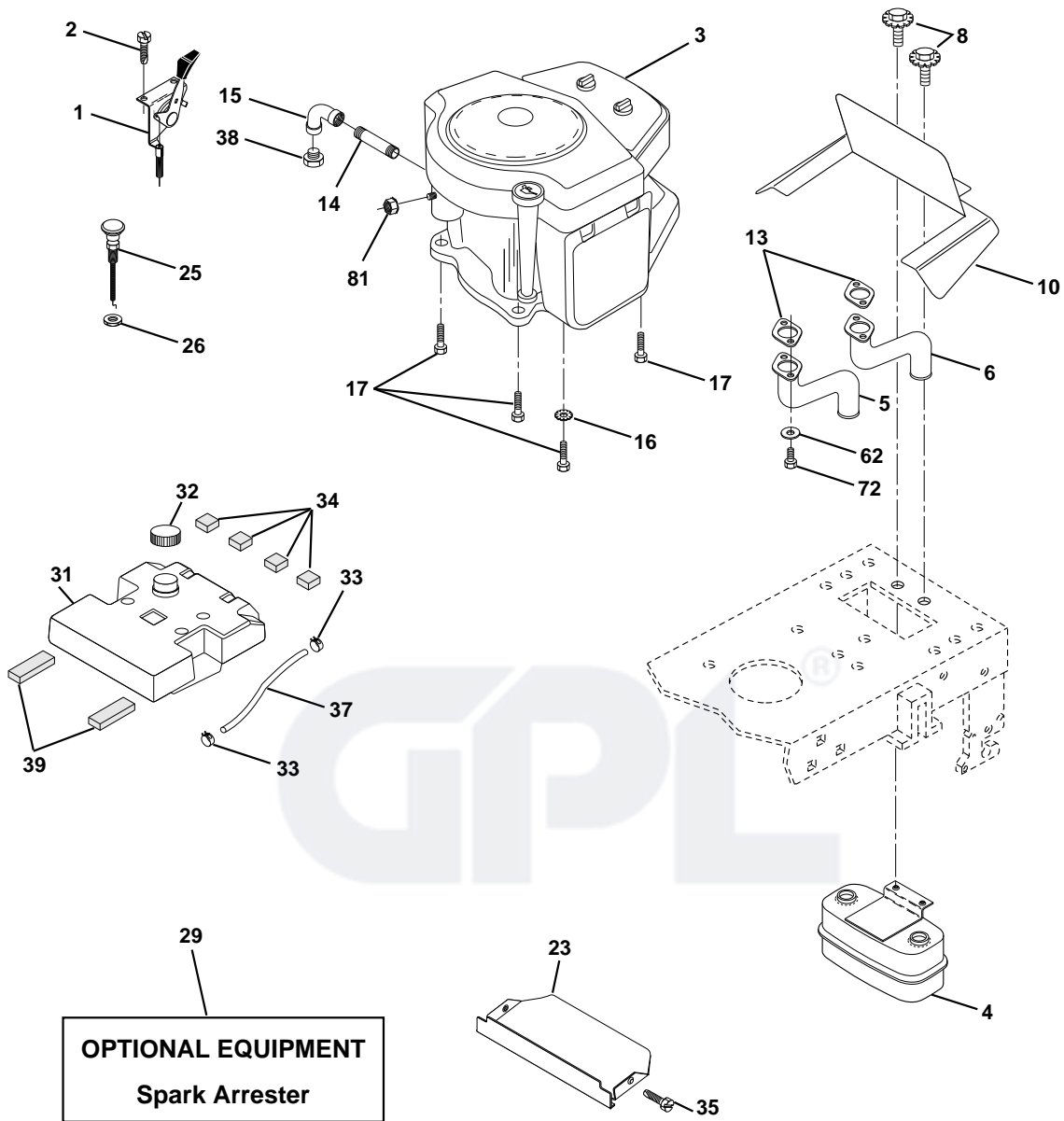
KEY NO.	PART NO.	DESCRIPTION
1	532140044	Wheel Steering
2	532137094	Axle Front
3	532157479	Spindle Asm LH
4	532157478	Spindle Asm RH
5	532124931	Washer Thrust .75 x 1.230
6	532121748	Washer 25/32 X 1-5/8 X 16 Ga
7	819272016	Washer 27/32 X 1-1/4 X 16 Ga
8	812000029	Ring Klip #5304-75
10	532154432	Draglink Extended Cast
11	810040600	Washer Lock Hvy Hlcl Spr 3/8
13	532154779	Spacer Bearing Axle STLT/GT
15	873901000	Nut Lock Flange 5/8-11 Unc
17	532156546	Shaft Asm Strg Private Label
18	532057079	Washer Thrust 515x 750x 033
19	532124035	Support Shaft
20	532126684	Washer Shim 1/4 X 5/8 X 062
22	871200410	Screw, Hex Socket 1/4-20 x 5/8
23	532127501	Shaft Asm Pittman
25	532154406	Bracket Steering
27	532136874	Gear Sector
29	817490612	Screw Thdrol 3/8-16x3/4 Ty-tt
32	532137347	Rod Asm Tie
36	532155099	Bushing Strg
37	532152927	Screw TT #10-32.5.3/8 Flange
38	532140045	Insert Cap Strg Wh
39	819133808	Washer 13/32 X 2-3/8 X 8 Ga
40	532124701	Nut Lock Center 3/8-24unf
41	532100711	Adaptor Wheel Strg 758/753 ID
42	532145054	Boot Steering Dash
43	532121749	Washer 25/32 X 1 1/4 X 16 Ga
44	532153720	Extention Steering
46	532121232	Cap Spindle Fr Top Blk
47	532124836	Fitting Grease
51	873800500	Nut Lock Hex w/Ins 5/16-18
54	874780520	Bolt Fin Hex 5/16-18 Unc x 1-1/4
62	532156594	Kit, Steering Assembly
63	874780616	Bolt, Fin Hex 3/8-16 UNC x 1 Gr. 5
65	532154780	Spacer Axle
66	532154404	Bearing Arm Pittman
67	874781044	Bolt, Fin Hex 5/8-11 UNC x 2-3/4
68	532154429	Brace Axle
74	532109850	Joint Asm Ball Rh
75	532109851	Joint Asm Ball Lh.
76	532137156	Rod Tie Ball J Adj
77	873700600	Nut Hex Jam 3/8-24 Unf Lh
78	873360600	Nut Hex Jam 3/8-24 Unf

NOTE: All component dimensions given in U.S. inches.
1 inch = 25.4 mm.

REPAIR PARTS

TRACTOR -- MODEL NUMBER LTH18 (J18H46C), PRODUCT NO. 954 13 00-26

ENGINE



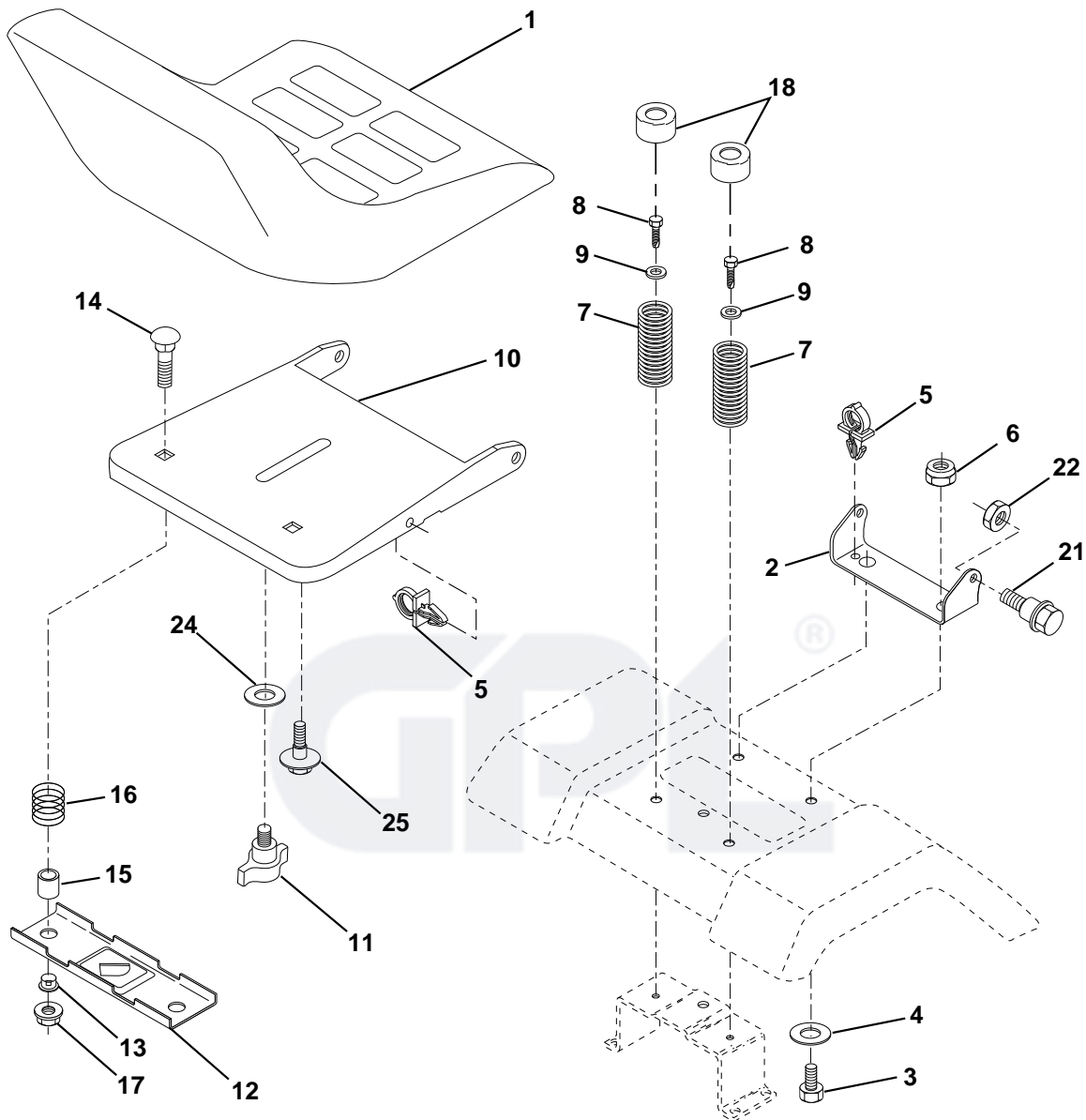
OPTIONAL EQUIPMENT
Spark Arrester

KEY NO.	PART NO.	DESCRIPTION	KEY NO.	PART NO.	DESCRIPTION
1	532148875	Control Throt	29	532137180	Kit Spark Arrestor (Flat Scrn)
2	817720410	Screw Hex Thd Cut 1/4-20x5/8 T	31	532157103	Tank Fuel 3 50 STLT w/o Sensor
3	-----	Engine Model No. 407777 (B&S)	32	532140527	Cap Asm Fuel W/sym Vented
4	532149723	Muffler Twin Lo-Twin	33	532123487	Clamp Hose Blk
5	532159955	Elbow Std 90 Degree 3/8-18 Npt	34	532106082	Pad, Spacer
6	532160589	Tube, Manifold Rh	35	817490512	Screw Thdrol 5/16-18 x 3/4
8	532150176	Bolt 5/16-18 Unc x 3/4 w/Sems	37	532142158	Line Fuel 54"
10	532162797	Shield Browning Intek	38	-----	Plug Oil Drain (Order From Engine Manufacturer)
13	532165391	Gasket Muffler	39	532109227	Pad, Idler
14	813280336	Nipple Pipe 3/8 Npt X 4-1/2"	62	810040500	Washer, Lock Hvy. Hlcl Spr 5/16
15	813200300	Elbow Std 90 Degree 3/8-18 Npt	72	871070512	Screw Hex Hd Cap 5/16-18 x 3/4
16	811050600	Washer Lock Ext Tooth 3/8	81	532128861	Nut Flange 1/4-20 Starter Nut
17	817490624	Screw, Thdrol 3/8-16 x 1-1/2 Tytt			
23	532159880	Shield Brn/Dbr Guard			
25	532145996	Choke Control 37"			
26	873920600	Nut, Keps 3/8-24 Unf			

NOTE: All component dimensions given in U.S. inches.
1 inch = 25.4 mm

REPAIR PARTS

TRACTOR -- MODEL NUMBER LTH18 (J18H46C), PRODUCT NO. 954 13 00-26
SEAT ASSEMBLY



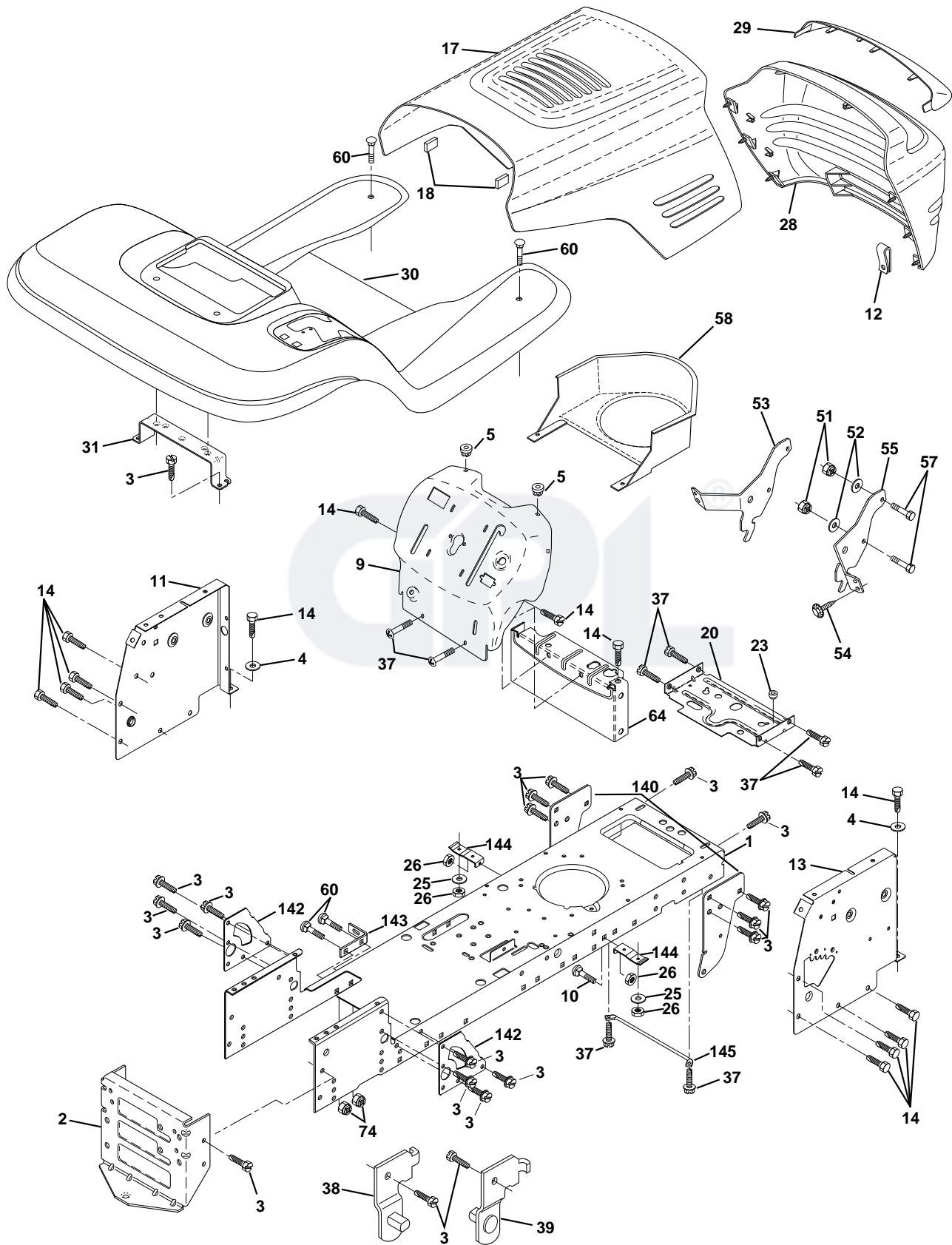
KEY NO.	PART NO.	DESCRIPTION
1	532140118	Seat
2	532140551	Bracket Pivot Seat 8 720
3	874760616	Bolt Fin Hex 3/8-16 UNC x 1
4	819131610	Washer 13/32 x 1 x 10 Ga.
5	532145006	Clip Push-in Hinged
6	873800600	Nut Lock Hex w/Inx 3/8-16 UNC
7	532124181	Spring Seat Cprsn 2 250 Blk Zi
8	817490616	Screw Thdrol 3/8-16 x 1 TY-TT
9	819131614	Washer 13/32 x 1 x 14 Ga.
10	532155925	Pan Seat
11	532120068	Knob Seat 1/2-13unc Blk
12	532121246	Bracket Mounting Switch

KEY NO.	PART NO.	DESCRIPTION
13	532121248	Bushing Snap Blk Nyl 50 Id
14	872050412	Bolt Rdhd Sht Nk 1/4-20x1-1/2
15	532121249	Spacer Split 28x 88 Yel Zinc
16	532123740	Spring Cprsn 1 310 Blk Pnt
17	532123976	Nut Lock 1/4 Lge Flg Gr 5 Zinc
18	532124238	Cap Spring Seat
21	532153236	Bolt Shoulder 5/16-18 Unc 1-2A
22	873680500	Nut Crown Lock 5/16-18
24	819171912	Washer 17/32 X 1-3/16 X 12 Ga
25	532127018	Bolt Shoulder 5/16-18 X 62

NOTE: All component dimensions given in U.S. inches.
1 inch = 25.4 mm

REPAIR PARTS

TRACTOR - - MODEL NUMBER LTH18 (J18H46C), PRODUCT NO. 954 13 00-26
CHASSIS AND ENCLOSURES



REPAIR PARTS

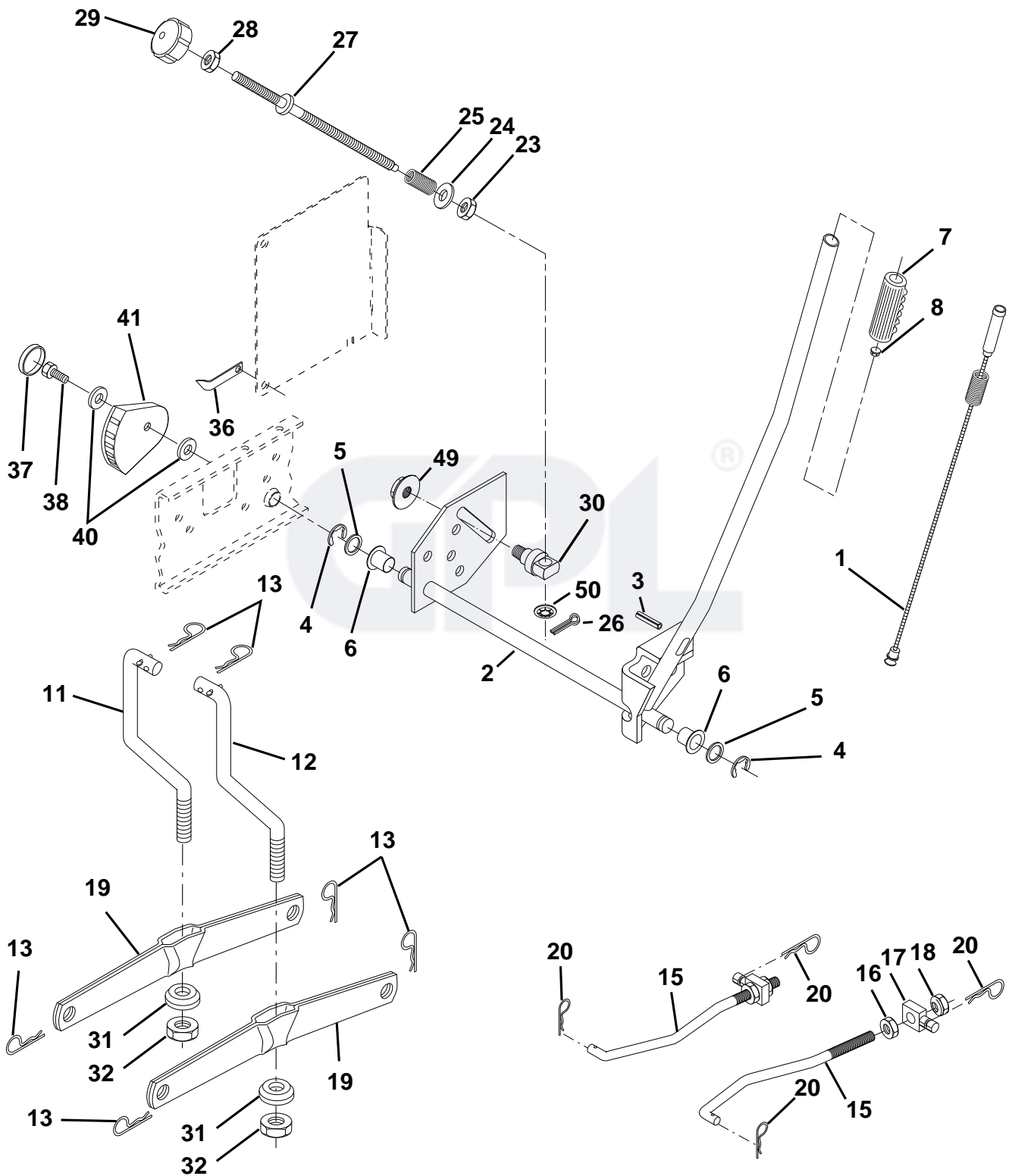
TRACTOR - - MODEL NUMBER LTH18 (J18H46C), PRODUCT NO. 954 13 00-26 CHASSIS AND ENCLOSURES

KEY NO.	PART NO.	DESCRIPTION
1	532160392	Chassis
2	532140356	Drawbar, Stretch
3	817490612	Screw Thdrol 3/8-16x3/4 Ty-tt
4	819131216	Washer 13/32 x 3/4 x 16 Ga.
5	532155272	Bumper Hood/Dash
9	532156792	Dash SLKSCR
10	872140608	Bolt Carriage 3/8-16 x 1
11	532155927	Panel Pnt Dash Lh
12	532145660	Clip, Tinnerman Grille P/L
13	532155936	Panel AsmDash Rh
14	817490608	Screw Thdrol 3/8-16x1/2 Ty-tt
17	532150760	Hood
18	532126938	Bumper Hood
20	532156437	Plate Mtg Battery/Fuel tank fr
23	532124028	Bushing Snap Nyl Blk Fuel Line
25	819131312	Washer 13/32 X 13/16 X 12 Ga
26	873800600	Nut Lock Hex W/Ins 3/8-16 Unc
28	532150671	Grille w/Clips MS-505
29	532166603	Lens
30	532156793	Fender
31	532139976	Bracket Pnt Fender
37	817490508	Screw Thdrol 5/16-18 x 1/2
38	532139886	Bracket, Asm. Pivot, L.H., Mower Rear
39	532139887	Bracket, Asm. Pivot, R.H., Mower Rear
51	873800400	Nut Lock Hex W/Ins 1/4-20
52	819091416	Washer 9/32 x 7/8 x 16 Ga.
53	532145201	Bracket Pnt. Pick off
54	532161464	Screw Hex Wshd 8-18 x 7/8
55	532145202	Bracket, Grille Pickoff Rh
57	874780412	Bolt Hex 1/4-20 x 3/4
58	532162266	Duct Air Engine PL/LT
60	872140606	Bolt, Rdhd Sqnk 3/8-16 UNC x 3/4
64	532154798	Dash Lower STLT
74	873680600	Nut, Crownlock 3/8-16 UNC
140	532158418	Bracket, Suspension Front
142	532165867	Plate Reinforcement STLT
143	532154966	Bracket Chassis Swaybar
144	532154207	Bracket Footrest STLT
145	532156524	Rod Pivot Chassis/Hood

NOTE: All component dimensions given in U.S. inches.
1 inch = 25.4 mm

REPAIR PARTS

TRACTOR - - MODEL NUMBER LTH18 (J18H46C), PRODUCT NO. 954 13 00-26
MOWER LIFT



REPAIR PARTS

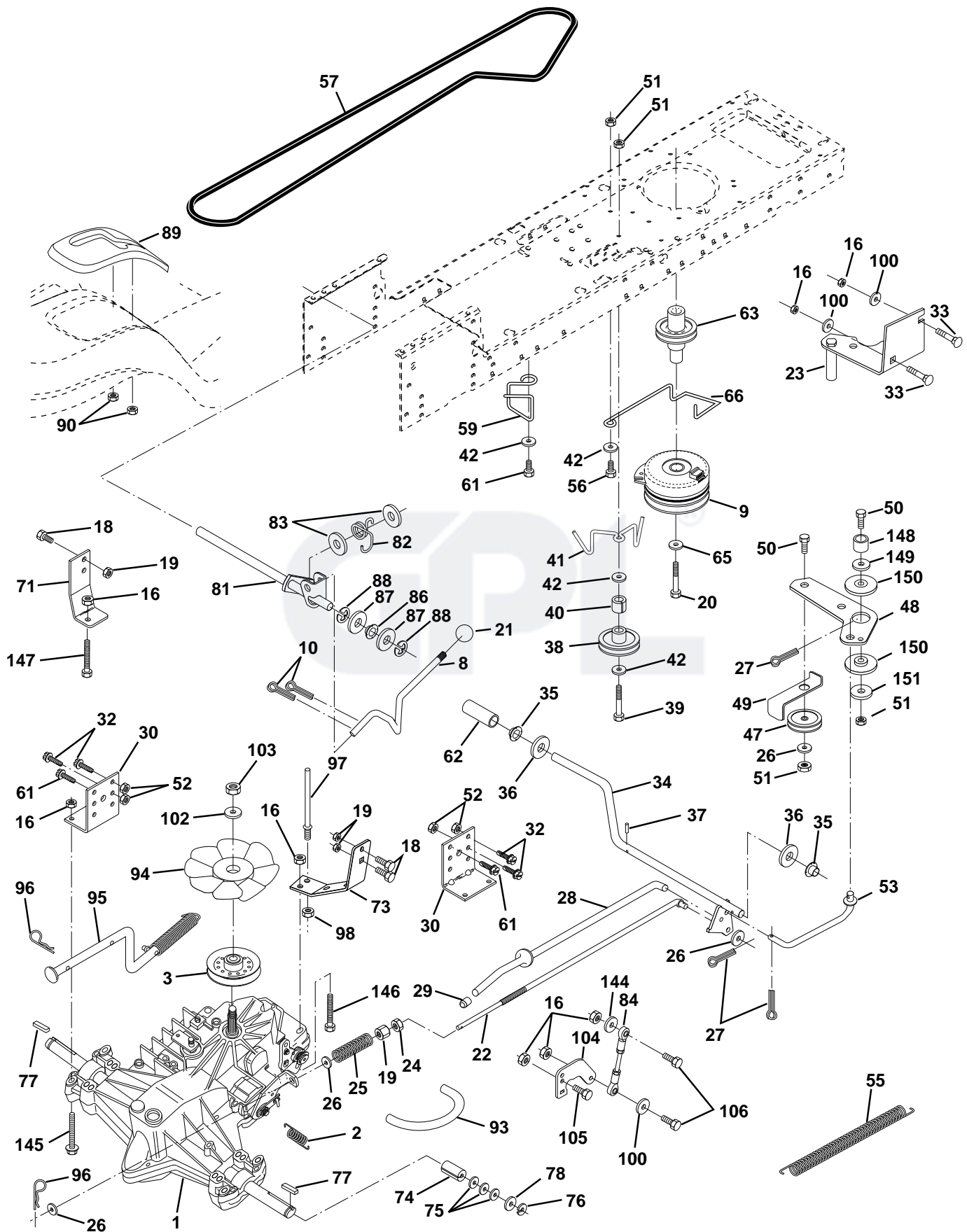
TRACTOR - - MODEL NUMBER LTH18 (J18H46C), PRODUCT NO. 954 13 00-26
MOWER LIFT

KEY NO.	PART NO.	DESCRIPTION
1	532159460	Wire Asm Inner W/plunger
2	532159471	Shaft Asm Lift RH
3	532105767	Pin Groove 1 500 Zinc
4	812000002	E Ring #5133-62
5	819211621	Washer 21/32 X 1 X 21 Ga
6	532120183	Bearing Nylon Blk 629 Id
7	532109413	Grip Handle Bicycle
8	532124526	Button Plunger Black
11	532139865	Link Lift LH Fixed Length
12	532139866	Link Lift RH Fixed Length
13	532124670	Retainer Spring
15	532127218	Link Front
16	873350800	Nut Jam Hex 1/2-13 Unc
17	532130171	Trunnion Blk Zinc
18	873680800	Nut Crownlock 1/2-13 Unc
19	532139868	Arm Suspension Rear
20	532163552	Retainer Spring
23	532110807	Nut Special
24	819131016	Washer 13/32 X 5/8 X 16 Ga
25	532124874	Spring 2-1/8"
26	876020308	Pin Cotter 3/32 X 1/2
27	532126971	Rod Adj Lift Zinc 7.49 Wrk Lg
28	873350600	Nut Hex Jam 3/8-16 Unc
29	532138057	Knob Inf 3/8-16 Unc Blk W/sym
30	532150233	Trunnion Infin Height
31	532140302	Bearing Pvt Lift Spherical
32	873540600	Nut Crownlock 3/8-24
36	532155097	Pointer Height ind
37	532123935	Plug Hole Blk 1.485/1.515 Dia.
38	817490512	Screw Thdrol 5/16-18 x 3/4
40	819112410	Washer 11/32 x 1-1/2 10 Ga.
41	532155098	Ind. Height STLT
49	532145212	Nut Hexflange Lock
50	532110452	Nut Push Phos & Oil

NOTE: All component dimensions given in U.S. inches
1 inch = 25.4 mm

REPAIR PARTS

TRACTOR - - MODEL NUMBER LTH18 (J18H46C), PRODUCT NO. 954 13 00-26
DRIVE



REPAIR PARTS

TRACTOR - - MODEL NUMBER LTH18 (J18H46C), PRODUCT NO. 954 13 00-26

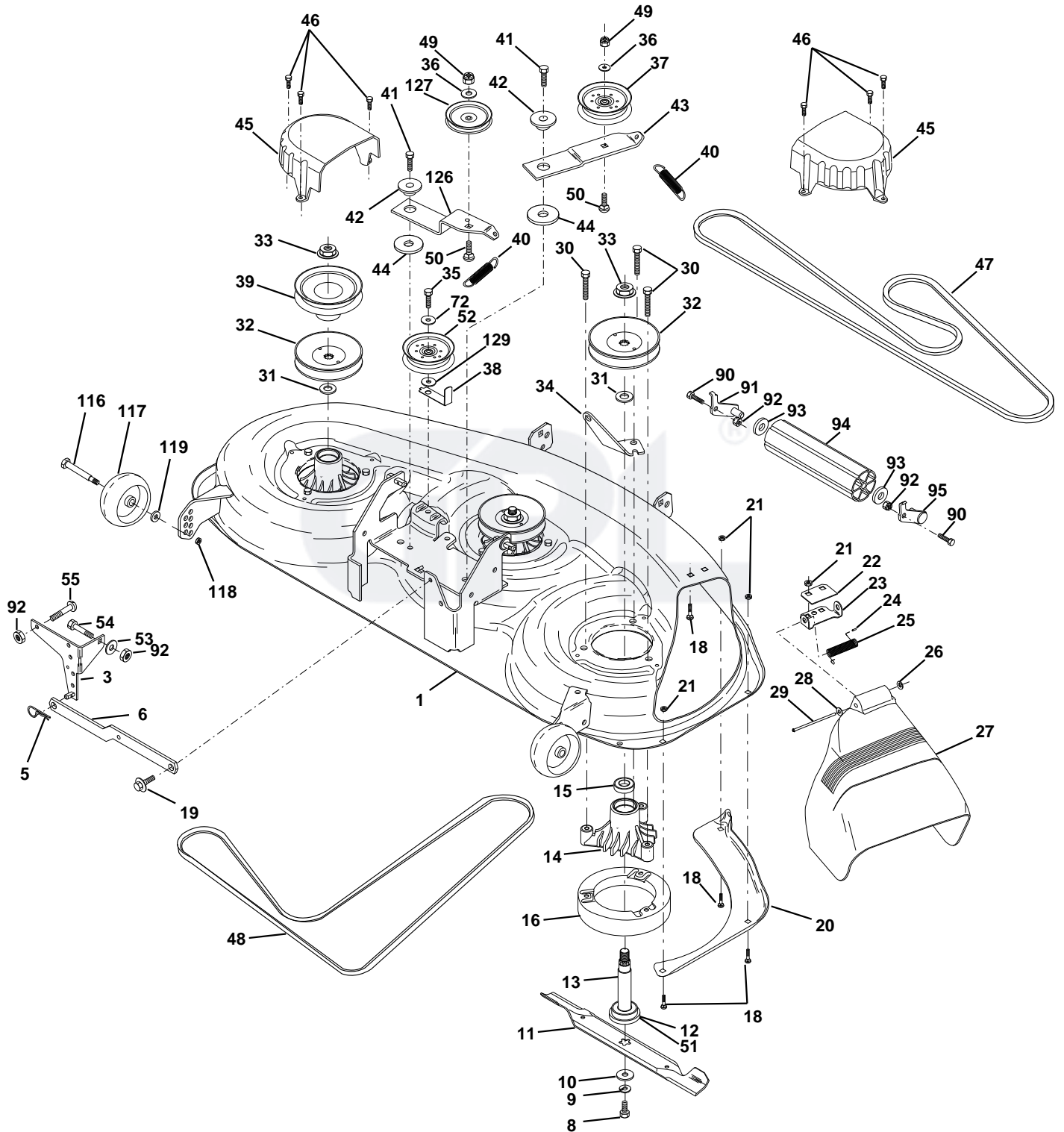
DRIVE

KEY NO.	PART NO.	DESCRIPTION	KEY NO.	PART NO.	DESCRIPTION
1	-----	Transaxle w/cas Hydro 319-0650	62	532124872	Cover, Pedal Premium
2	532142431	Spring, Return, Brake	63	532145868	Pulley, Engine
3	532143995	Pulley, Transaxle Hydro 750 LT	65	810040700	Washer Lock Hvy HLCL Spr 7/16
8	532154792	Rod Shift Fender STLT	66	532154778	Keeper Belt Engine Hydro
9	532160889	Clutch Electric	73	532156347	Strap Torque Rh Hydro
10	876020416	Pin Cotter 1/8 x 1 CAD	71	532140158	Strap Torque Lh Hydro 18/20" T
16	873800500	Nut Lock Hex W/Ins. 5/16-18 Unc P	74	532121199	Spacer, Split
18	874780616	Bolt Fin Hex 3/8-16 Unc x 1 Gr.5	75	532121749	Washer 25/32 x 1-1/4 x 16 Ga.
19	873800600	Nut Lock Hex W/Ins 3/8-16 Unc	76	812000001	E-Ring
20	532150280	Bolt, Hex 7/16-20 x 4-1/4 5 Ga 1.38	77	532123583	Key, Square
21	532130564	Knob Deluxe 1/2-13 UNC Blk/Red	78	532121748	Washer 25/32 x 1-5/8 x 16 Ga
22	532145627	Rod, Brake Hydro	81	532156046	Shaft Asm. Cross Hydro 20" Tires
23	532154978	Bracket Asm Mtg CL EVX	82	532123782	Spring Torsion T/A
24	873350600	Nut Hex Jam 3/8-16 UNC	83	819171216	Washer 17/32 x 3/4 x 16 Ga.
25	532106888	Spring, Brake Rod	84	532161901	Rod, Tie
26	819131316	Washer	86	532157480	Bushing
27	876020412	Pin Cotter 1/8 x 3/4 CAD.	87	819212016	Washer 21/32 x 1-1/4 x 16 Ga.
28	532145204	Rod, Parking Brake	88	812000008	Ring Klip #5304-62
29	532071673	Cap, Parking Brake	89	532166602	Console, Hydro Shift STLT
30	532130807	Bracket, Transaxle	90	532124346	Nut Self Thd Wsh-Hd 1/4 Zinc
32	874760512	Bolt Hex Hd 5/16-18 Unc x 3/4	93	532142564	Line Fuel Hydro 4"
33	872140506	Bolt Carriage 5/16-18 UNC x 3/4	94	532140462	Fan, Hydro 7"
34	532155071	Shaft, Foot Pedal	95	532144643	Control Asm. Bypass Hydro
35	532120183	Bearing, Nylon	96	532124788	Retainer Spring 1" Zinc/Cad
36	819211616	Washer	97	532140469	Keeper Belt Rh Hydro 0750.18/20"
37	532124963	Pin, Roll	98	873510600	Nut Keps Hex 3/8-16 Unc
38	532131494	Pulley, Idler, Flat	100	819111216	Washer 11/32 x 3/4 x 16 Ga.
39	874760644	Bolt	102	532141322	Washer Belleville .501D x 1.50D
40	532124965	Spacer Split	103	873940800	Nut Hex Jam Toplock 1/4-20 Unf
41	532165838	Keeper, Belt Idler	104	532140156	Arm, Control Hydro
42	819131312	Washer 13/32 x 13/16 x 12 Ga	105	871070516	Screw Cap Hex 5/16 x 18 x 1
47	532127783	Pulley, Idler, V-Groove Plastic	106	874780520	Bolt Fin Hex 5/16-18 Unc x 1-1/4
48	532154407	Bellcrank Clutch Grnd Drv STL	144	819111016	Washer 11/32 x 5/8 x 16 Ga.
49	532123205	Retainer, Belt Style Spring	145	874490540	Bolt Hex Flghd 5/16-18 x Gr 5
50	874760624	Bolt	146	874490536	Bolt Hex Flghd 5/16-18 x 2-1/4
51	873680600	Nut	147	874490524	Bolt Hex Flghd 5/16-18 x 1-1/2
52	873680500	Nut Crown Lock 5/16-18	148	532159103	Spacer
53	532105710	Link, Clutch	149	532122052	Spacer Retainer
55	532105709	Spring, Return, Clutch	150	532150935	Bushing Nylon Collered
56	874760620	Bolt, Fin Hex 3/8-16 UNC x 1 1/4	151	819133210	Washer 13/32 x 2 x 10 Ga
57	531013140	V-Belt, Ground Drive			
59	532140312	Keeper, Center Span			
61	817490612	Screw Thdrol. 3/8-16 x 3/4 Ty. TT			

NOTE: All component dimensions give in U.S. inches.
1 inch = 25.4 mm

REPAIR PARTS

TRACTOR -- MODEL NUMBER LTH18 (J18H46C), PRODUCT NO. 954 13 00-26
MOWER DECK



REPAIR PARTS

TRACTOR - - MODEL NUMBER LTH18 (J18H46C), PRODUCT NO. 954 13 00-26

MOWER DECK

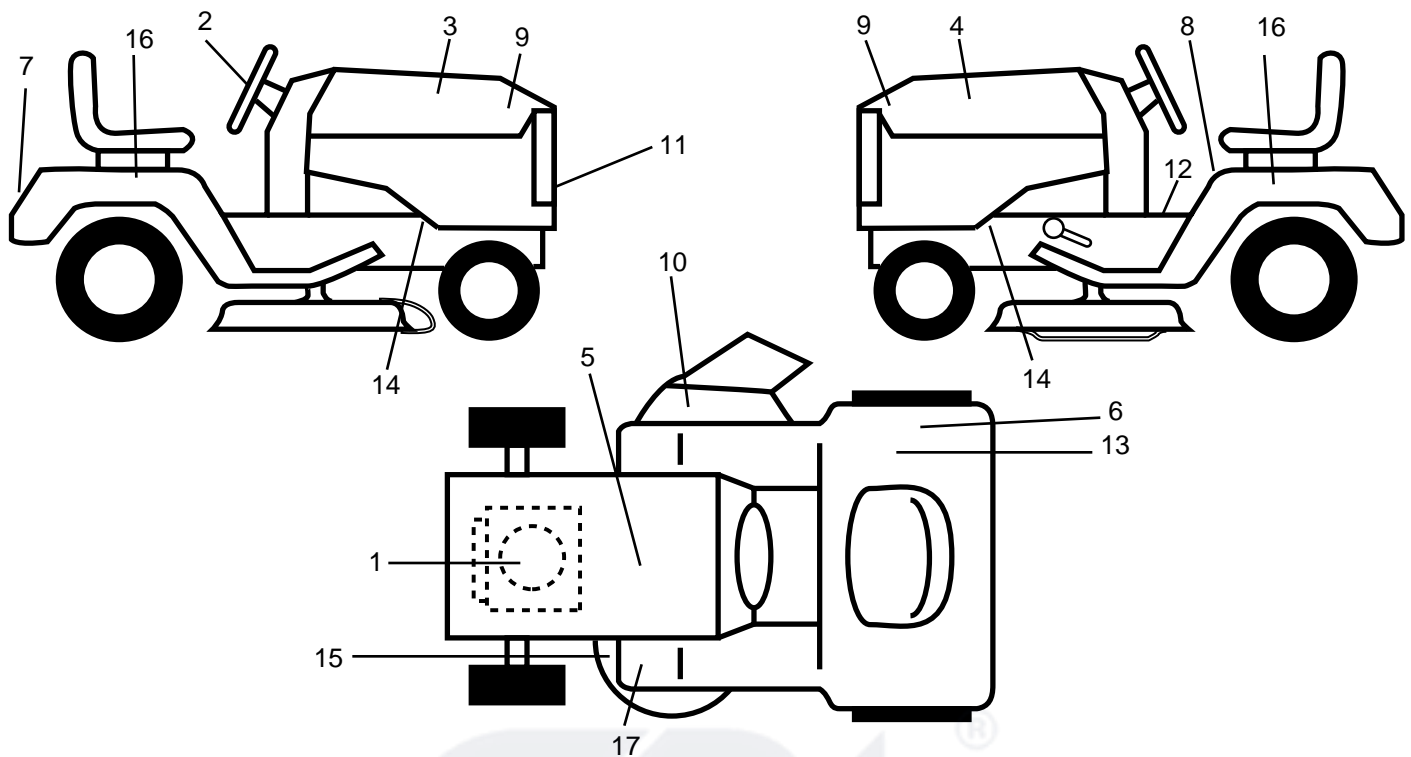
KEY NO.	PART NO.	DESCRIPTION	KEY NO.	PART NO.	DESCRIPTION
1	532156948	Deck Weldment	40	532137273	Spring, Secondary 44/46/50 Vent
3	532138457	Bracket Asm., Sway Bar	41	817490620	Screw, Thdroll 3/8-16 x 1-1/4 Tytt
5	532124670	Retainer Spring	42	532122052	Spacer, Retainer
6	532130832	Arm, Suspension, Rear (Sway Bar)	43	532144949	Arm, Idler Secondary
8	532850857	Bolt, Patched 3/8-24 x 1-1/4 Gr. 8	44	532133943	Washer, Hardened
9	810030600	Washer, Lock Hvy., Unplated 3/8	45	532145059	Cover, Mandrel Deck
10	532140296	Washer, Hard Blade, Mower Vented	46	532137729	Screw, Thdroll. 1/4-20 x 5/8
11	532157033	Blade, 46" Hi Perf	47	532144959	V-Belt, Mower, Secondary
12	532129895	Bearing, Ball, Mandrel #6204	48	532148763	V-Belt, Mower, Primary
13	532137553	Shaft Asm. w/Lower Bearing (Includes Key No. 12)	49	873680600	Nut, Crownlock 3/8-16 UNC
14	532137152	Housing, Mandrel	50	872110612	Bolt, Carriage 3/8-16 x 1-1/2 Gr. 5
15	532110485	Bearing, Ball, Mandrel	51	532153390	Washer Felt
16	532140329	Stripper, Mower Round	52	532156493	Pulley Idler Flat 46 Pri Drive
18	872140505	Bolt, Carriage 5/16-18 x 5/8	53	819131312	Washer 13/32 x013/16 x 12 Ga.
19	532132827	Bolt, Hex Head, Shoulder 5/16-18	54	874780616	Bolt, Fin Hex 3/8-16 x 1 Gr. 5
20	532145055	Baffle, Vortex Mower 46"	55	872140608	Bolt Rdhd Sqnk 3/8-16 UNC x 1
21	873680500	Nut, Crownlock 5/16-18 UNC	72	819131616	Washer 13/32 x 1 x 16 Ga
22	532134753	Stiffener, Bracket	90	874760616	Bolt Fin Hex 3/8-16 UNC x 1
23	532131267	Bracket, Deflector	91	532132274	Bracket Asm Noseroller LH
24	532105304	Cap, Sleeve	92	873800600	Nut Lock Hex W/Ins 3/8-16 UNC
25	532149287	Spring, Torsion, Deflector	93	819171416	Washer 17/32 x 7/8 16 Ga.
26	532110452	Nut, Push	94	532132264	Roller Nose 38 & 42
27	532157788	Shield, Deflector Mower	95	532132273	Bracket Asm Noseroller RH
28	819111016	Washer 11/32 x 5/8 x 16 Ga.	116	532146851	Bolt, Shoulder
29	532131491	Rod, Hinge	117	532146850	Gauge Wheel
30	532157722	Screw Thd Rolling Washer Head	118	873930600	Nut, Centerlock 3/8-16 UNC
31	532129963	Washer, Spacer Mower Vented	119	819121414	Washer 3/8 x 7/8 x 14 Ga.
32	532153531	Pulley, Mandrel	126	532144948	Arm, Idler, Primary Deck 46"
33	532137266	Nut, Flg. Top Lock Cntr. 9/16	127	532146763	Pulley, Idler, V-Groove Dim. 4.25
34	532144945	Anchor, Spring Deck 46"	129	819132203	Washer 13/32 x 1-3/8 x 3 Ga.
35	817490628	Screw, Thdroll 3/8-16 x 1-3/4 Tytt	--	532166209	Mower Serv. 46" w/GWB Symbols
36	819131316	Washer 13/32 x 13/16 x 16 Ga.	--	532143651	Mandrel Asm (includes key #'s 8-10, 12-15, 31 and 32)
37	532131494	Pulley, Idler, Flat			
38	532156086	Keeper, Belt, Idler			
39	532144917	Pulley, Idler, Driven			

NOTE: All component dimensions given in U.S. inches
1 inch = 25.4 mm

REPAIR PARTS

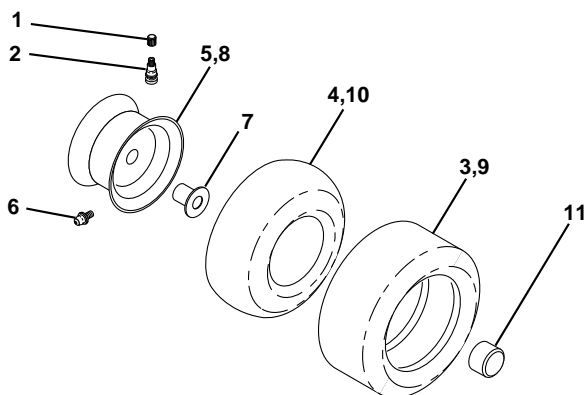
TRACTOR -- MODEL NUMBER LTH18 (J18H46C), PRODUCT NO. 954 13 00-26

DECALS



KEY NO.	PART NO.	DESCRIPTION	KEY NO.	PART NO.	DESCRIPTION
1	532165398*	Decal Engine	14	532159736*	Decal Chassis Hot Muffler
2	532152252*	Decal Ins. Strg. Whl.	15	532160397*	Decal V-Belt Sch 44/46/50"
3	532157828	Decal Hood RH	16	532156764*	Decal Fender Automatic
4	532157829	Decal Hood LH	17	532159737*	Decal Brake/Clutch Symbol LT
5	532145005*	Decal Btry DNGR/PSN P/L Sym.	-	532162598	Decal Drawbar Load Limit
6	532126187*	Decal 100 DBA Cert. Dutch/Fre	-	532138311	Decal Lift Handle(Lift Handle)
7	532141761*	Decal Fender	-	532142341	Decal Drawbar Cntrl Mvt Hyd Lt
8	532145498*	Decal Read Owners Manual	-	532154515	Pad Footrest LH STLT
9	532162927*	Decal Hood Insert	-	532154516	Pad Footrest RH STLT
10	532145494*	Decal Mower Cutfingher	-	532166515	Manual Oper. Euro.
11	532152262*	Decal Grille	-	532166516	Manual Oper. Scan.
12	532140837*	Decal Saddle Brake Parking	Available accessories not included with tractor:		
13	532145437*	Decal Europe Stand CE	-	CE46	Grass Catcher
			-	MK460	Mulch Kit

WHEELS & TIRES



KEY NO.	PART NO.	DESCRIPTION
1	532059192	Cap Valve Tire
2	532065139	Stem Valve
3	532106222	Tire F Ts 15 X 6 0 - 6 Service
4	532059904	Tube Front (Service Item Only)
5	532138336	Rim Asm 6" front Silver Service
6	532124957	Fitting Grease (Front Wheel Only)
7	532124959	Bearing Flange (Front Wheel Only)
8	532138337	Rim Asm 8"rear Silver Service
9	532122082	Tire R Ts 20 10 C Service
10	532124926	Tube Rear (Service Item Only)
11	532104757	Cap, Hub Axle Blk 1.50 x 1.00
--	532144334	Tire, Sealant (10 oz. Tube)

NOTE: All component dimensions given in U.S. inches
1 inch = 25.4 mm