

REPAIR PARTS MANUAL
MODEL NO. M12597RB (96061028700)
Lawn Tractor



McCULLOCH

www.mcculloch.biz

HOW TO USE THIS MANUAL

This manual is designed to provide the customer with a means to identify the parts on his/her tractor when ordering repair parts. The illustrations may or may not represent the actual assemblies; therefore, it is not recommended to use this manual as a guide to assemble or disassemble the tractor. Some hardware and parts are drawn larger in order to more readily identify them.

Each tractor has its own model number.

The model number for your tractor can be found on the fender under the seat.

When ordering parts, always give the following information:

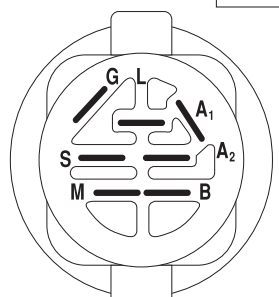
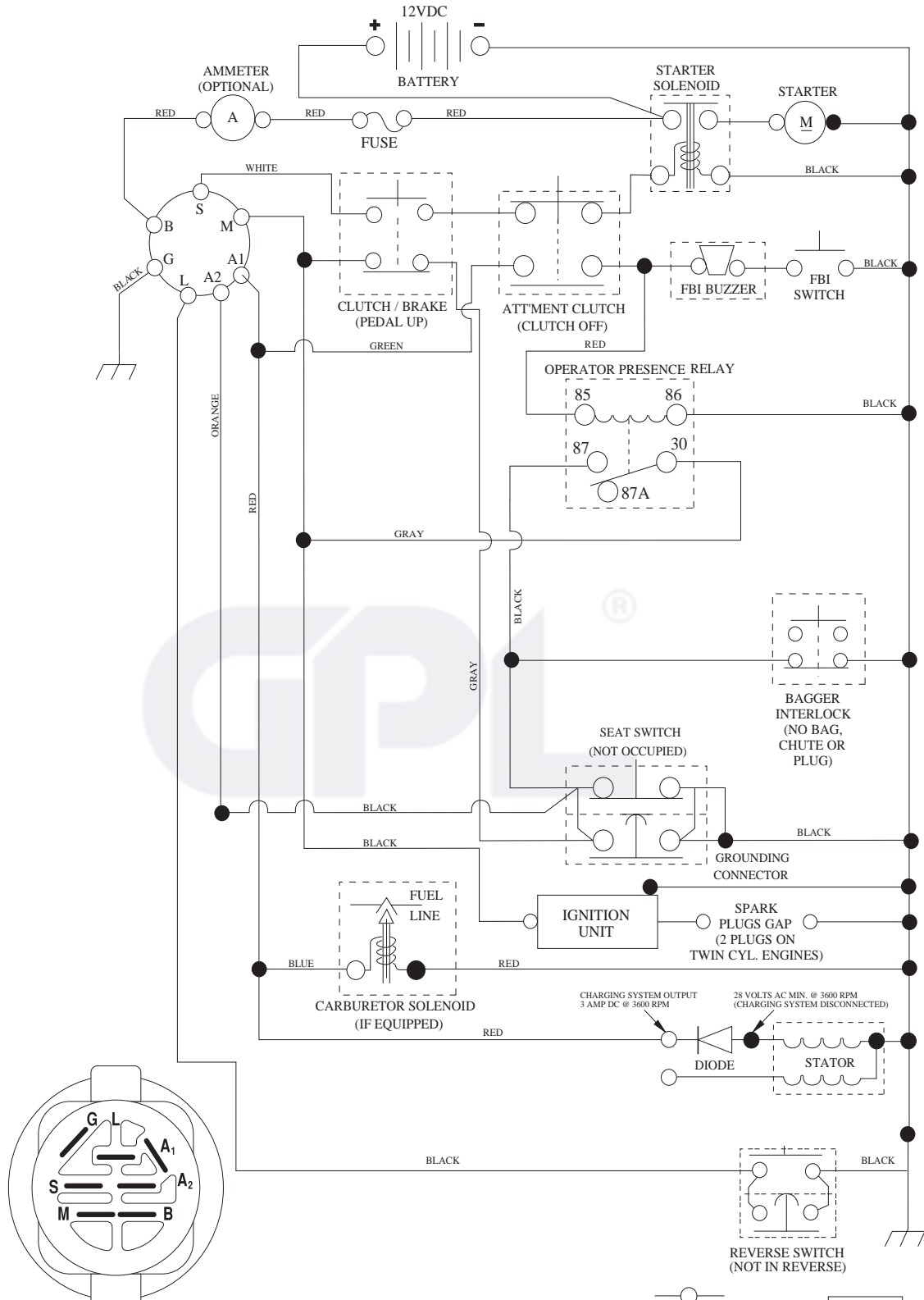
- Product - "Tractor"
- Model Number - "M12597RB(96061028700)"
- Part Number
- Part Description

TABLE OF CONTENTS

| | |
|-----------------|-------|
| SCHEMATIC | 3 |
| ELECTRICAL..... | 4-5 |
| CHASSIS | 6-7 |
| DRIVE..... | 8-9 |
| ENGINE..... | 10-11 |
| STEERING | 12-13 |
| SEAT | 14 |
| DECALS..... | 15 |
| MOWER DECK..... | 16-17 |
| MOWER LIFT..... | 18 |
| BAGGER..... | 19 |

TRACTOR - - MODEL NO. M12597RB (96061028700) PRODUCT NO. 960 61 02-87 SCHEMATIC

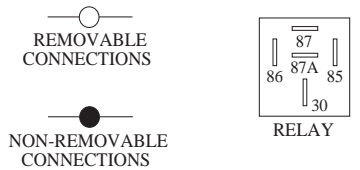
SCH09



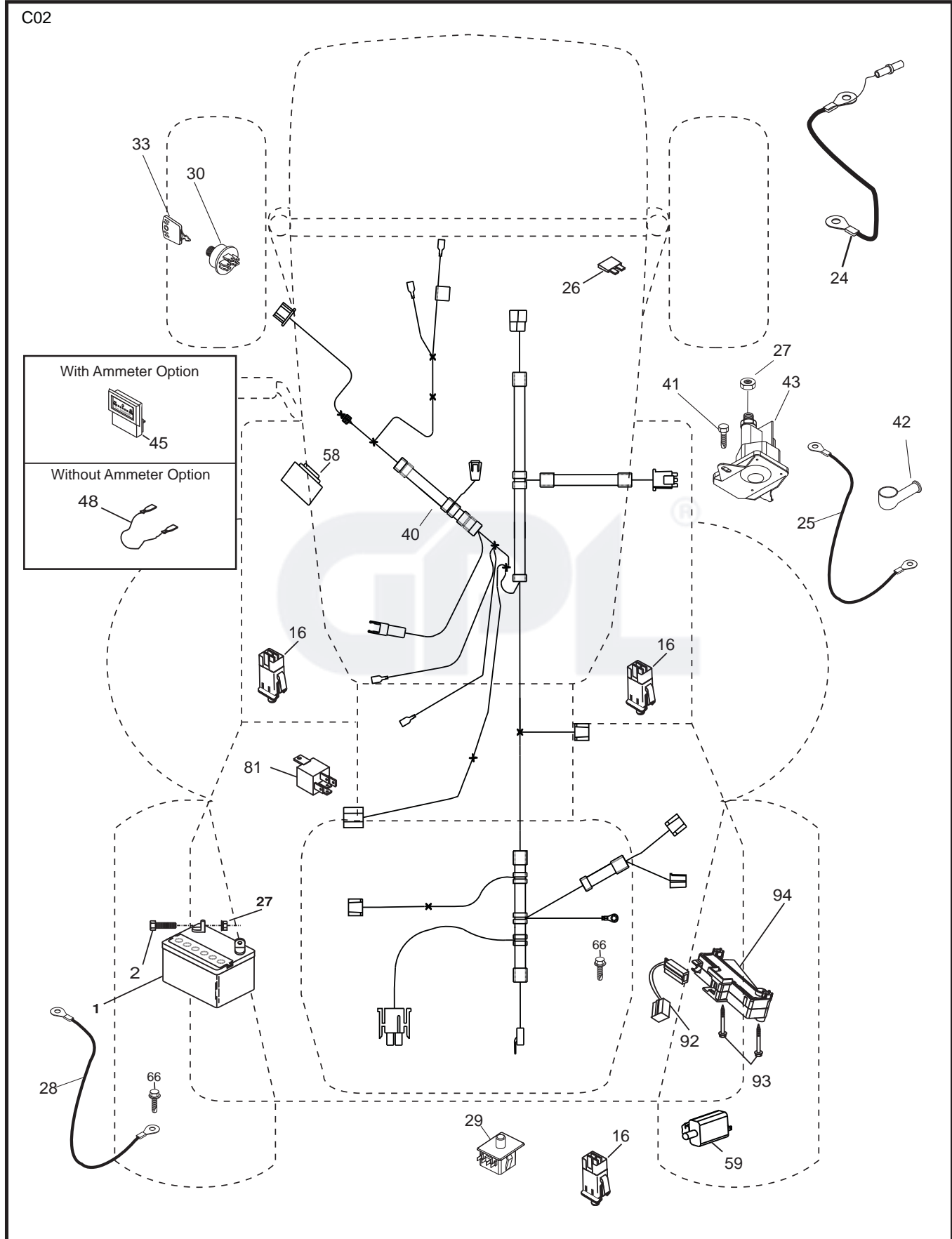
IGNITION SWITCH

| POSITION | CIRCUIT | "MAKE" |
|--------------|------------|--------|
| OFF | M+G+A1 | |
| RUN/OVERRIDE | B+A1 | |
| RUN | B+A1 | L+A2 |
| START | B + S + A1 | |

WIRING INSULATED CLIPS
NOTE: IF WIRING INSULATED CLIPS WERE REMOVED FOR SERVICING OF UNIT, THEY SHOULD BE RE-INSTALLED TO PROPERLY SECURE YOUR WIRING.



**TRACTOR - - MODEL NO. M12597RB (96061028700) PRODUCT NO. 960 61 02-87
ELECTRICAL**

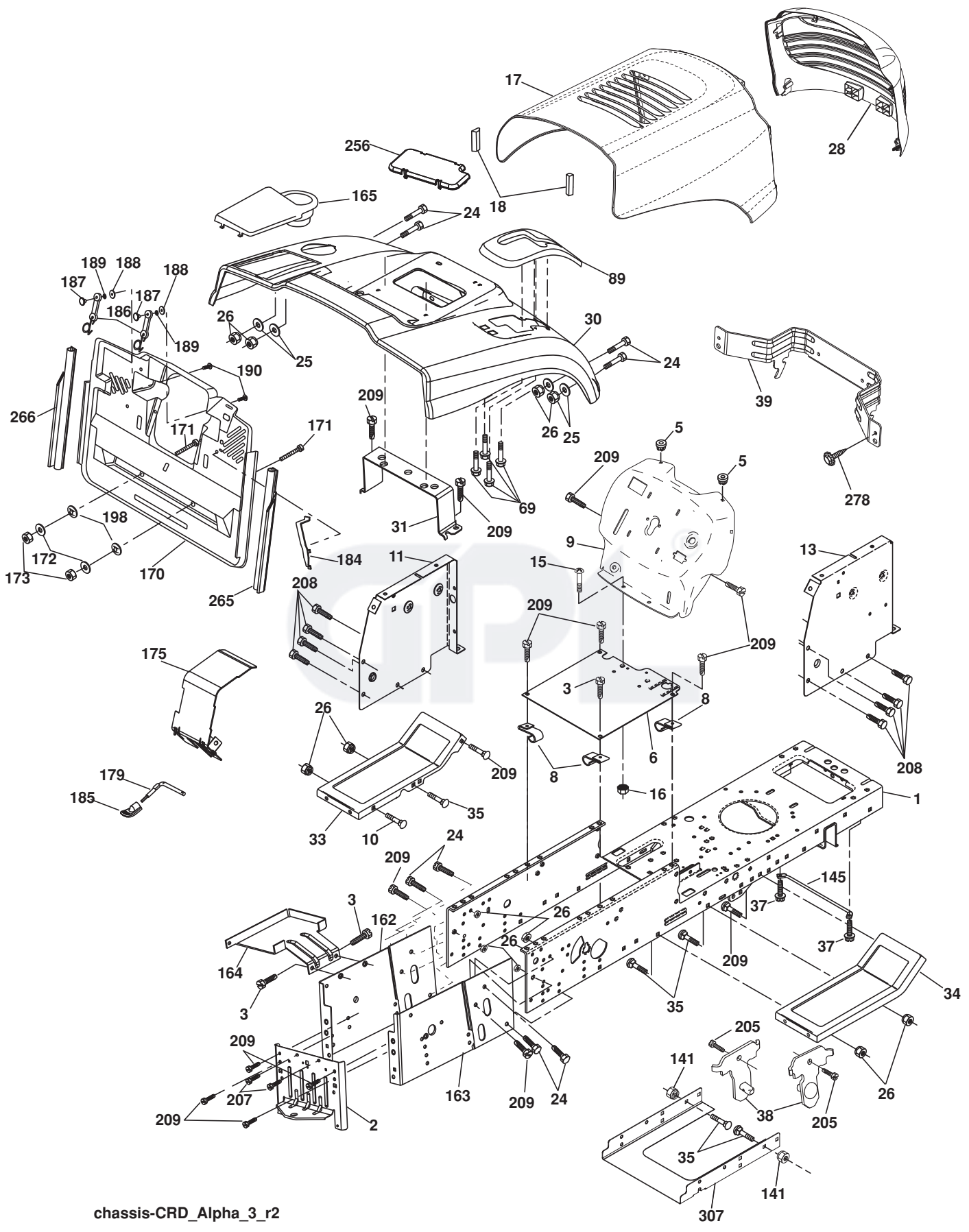


**TRACTOR - - MODEL NO. M12597RB (96061028700) PRODUCT NO. 960 61 02-87
ELECTRICAL**

| KEY NO. | PART NO. | DESCRIPTION |
|----------------|-----------------|-------------------------------------|
| 1 | 532 16 34-65 | Battery |
| 2 | 874 76 04-12 | Bolt Hex Hd. 1/4-20 unc x 3/4 |
| 16 | 532 17 61-38 | Switch Interlock |
| 24 | 532 16 59-87 | Cable Battery CRD 56" Red |
| 25 | 532 42 12-99 | Cable Starter 6 Ga. 11" Red |
| 26 | 532 17 51-58 | Fuse |
| 27 | 873 51 04-00 | Nut Keps Hex 1/4-20 unc |
| 28 | 532 12 77-25 | Cable Ground 6 Ga. 18" Black |
| 29 | 532 19 27-49 | Switch Seat |
| 30 | 532 19 33-50 | Switch Ignition |
| 33 | 532 41 19-35 | Key/Chain |
| 40 | 532 19 74-38 | Harness Ign. |
| 41 | 871 11 04-08 | Bolt Flk. Fin. Hex 1/4-20 unc x 1/2 |
| 42 | 532 13 15-63 | Cover Terminal Red |
| 43 | 532 19 25-07 | Solenoid |
| 48 | 532 14 08-44 | Adapter Ammeter Rectangular |
| 58 | 532 16 94-19 | Buzzer CRD |
| 59 | 532 18 03-79 | Switch FBI CRD |
| 66 | 817 49 06-08 | Screw Thdrol. 3/8-16 x 1/2 Ty-Tt |
| 81 | 532 10 97-48 | Relay Asm. |
| 92 | 532 19 66-15 | Harness Pigtail |
| 93 | 532 19 25-40 | Screw Plastite 10-14 x 2.0 |
| 94 | 532 19 18-34 | Module Reverse |

NOTE: All component dimensions given in U.S. inches.
1 inch = 25.4 mm.

TRACTOR - - MODEL NO. M12597RB (96061028700) PRODUCT NO. 960 61 02-87
CHASSIS AND ENCLOSURES



chassis-CRD_Alpha_3_r2

**TRACTOR - - MODEL NO. M12597RB (96061028700) PRODUCT NO. 960 61 02-87
CHASSIS AND ENCLOSURES**

| KEY NO. | PART NO. | DESCRIPTION | KEY NO. | PART NO. | DESCRIPTION |
|---------|--------------|--|---------|--------------|---------------------------------------|
| 1 | 532 17 46-20 | Chassis | 163 | 532 18 03-83 | Bracket Exten Chassis RH CRD |
| 2 | 532 18 03-84 | Drawbar | 164 | 532 16 56-05 | Support Battery CRD |
| 3 | 817 06 06-12 | Screw 3/8-16 x 3/4 | 165 | 532 18 13-56 | Cover Battery |
| 5 | 532 15 52-72 | Bumper Hood/Dash | 170 | 532 19 94-88 | Backplate CRD |
| 6 | 532 18 44-19 | Saddle | 171 | 872 14 06-20 | Bolt Rdhd. Sqnk. 3/8-16 x 2-1/2 Gr. 5 |
| 8 | 532 12 64-71 | Clip Insulator 13/32 Mtg. Hole | 172 | 819 13 20-16 | Washer 13/32 x 1-1/4 x 16 Ga. |
| 9 | 532 19 46-88 | Dash | 173 | 873 51 06-00 | Nut, Keps Hex 3/8-16 unc |
| 10 | 872 14 06-08 | Bolt, Carriage 3/8-16 x 3/4 | 175 | 532 18 82-03 | Door Trap |
| 11 | 532 17 49-96 | Panel, Dash, LH | 179 | 532 18 82-02 | Rod Pivot FBI CRD |
| 13 | 532 18 17-19 | Panel, Asm. Dash RH | 184 | 532 17 46-62 | Bracket Actuator Bagger CRD |
| 15 | 874 18 05-12 | Screw, Machine, Truss Head 5/16-18 unc x 3/4 | 185 | 532 18 11-01 | Knob Rod Brake Parking |
| 16 | 873 51 05-00 | Nut | 186 | 532 16 07-93 | Latch Asm. Mulch/Bagger |
| 17 | 532 40 61-79 | Hood | 187 | 532 12 50-04 | Nut Weld |
| 18 | 532 18 49-21 | Bumper Hood | 188 | 819 06 12-16 | Washer #10 |
| 24 | 874 78 06-16 | Bolt | 189 | 810 07 10-00 | Washer Lock #10 |
| 25 | 819 13 13-12 | Washer 13/32 x 13/16 x 12 Ga. | 190 | 871 08 10-10 | Screw Pan Hd. Phillip 10-24 x 5/8 |
| 26 | 873 80 06-00 | Nut | 198 | 532 16 89-37 | Nut, Push |
| 28 | 532 19 47-98 | Grille | 205 | 817 49 06-08 | Screw Thdrol. 3/8-16 x 1/2 |
| 30 | 532 19 73-64 | Fender | 207 | 817 67 05-08 | Screw Thdrol. 5/16-18 x 1/2 |
| 31 | 532 16 51-56 | Bracket, Fender Support | 208 | 817 67 06-08 | Screw Thdrol. 3/8-16 x 1/2 |
| 33 | 532 17 97-16 | Footrest, LH | 209 | 817 00 06-12 | Screw Hex Wsh. Thdrol. 3/8-16 |
| 34 | 532 17 97-17 | Footrest, RH | 256 | 532 18 13-61 | Cover Fender Rack |
| 35 | 872 11 06-06 | Bolt | 265 | 532 18 57-04 | Seal RH Side Bagger |
| 37 | 817 49 05-08 | Screw Thdrol. 5/16-18 x 1/2 TYT | 266 | 532 18 57-03 | Seal LH Side Bagger |
| 38 | 532 18 17-48 | Bracket Asm. Pivot Mower Rear | 278 | 532 41 63-58 | Screw #10 x 0.750 |
| 39 | 532 18 75-68 | Bracket Pivot | 307 | 532 42 09-19 | Shield Chassis Front |
| 69 | 532 14 24-32 | Screw Hx. Wsh. Hi-Lo | -- | 532 00 54-79 | Plug Button |
| 89 | 532 19 73-39 | Console CRD 6 Sp. 418 | -- | 532 19 39-35 | Plug Switch Light |
| 141 | 873 90 06-00 | Nut | | | |
| 145 | 532 40 91-67 | Rod Pivot Chassis/Hood | | | |
| 162 | 532 18 03-82 | Bracket Exten Chassis LH CRD | | | |

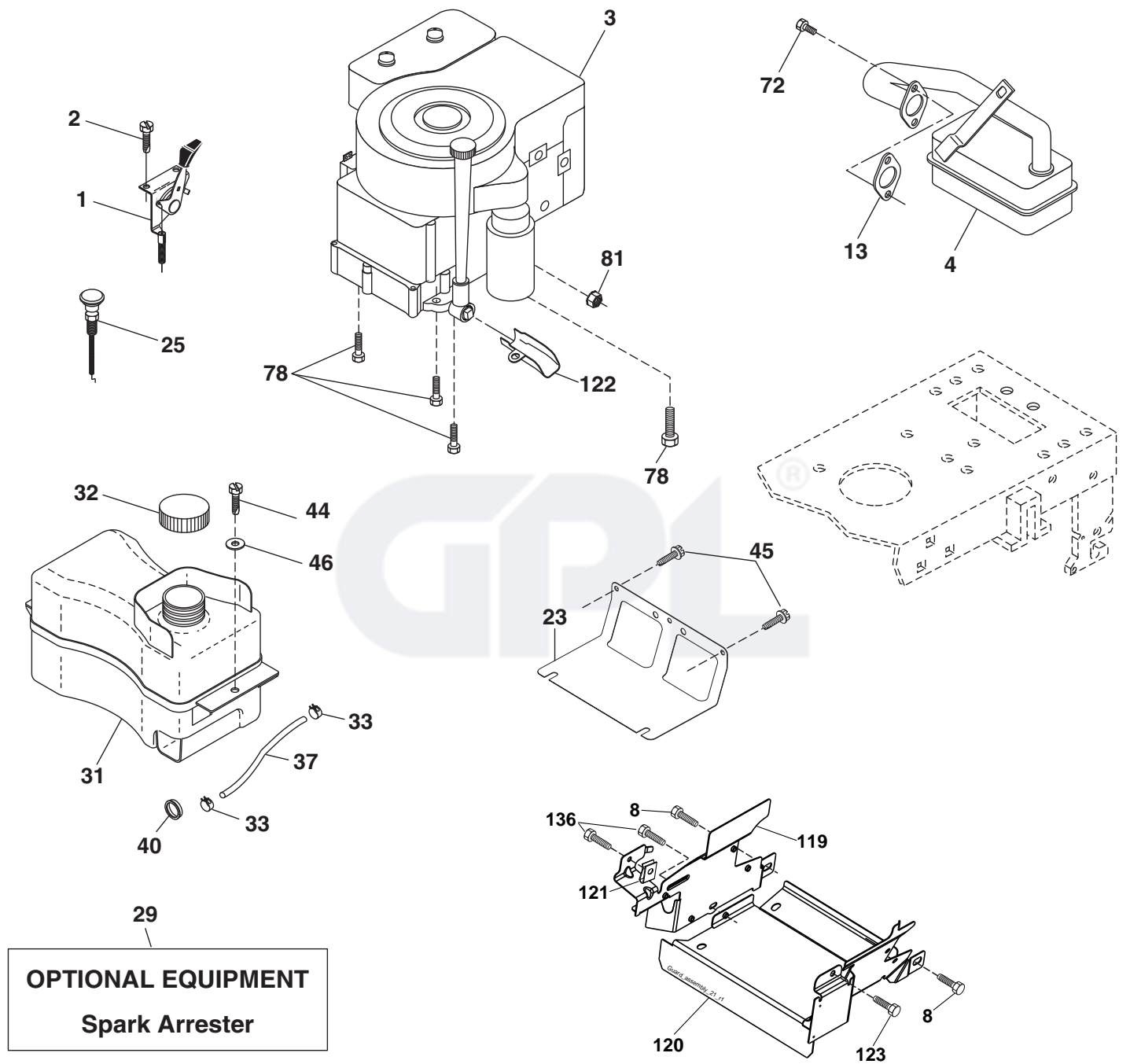
NOTE: All component dimensions given in U.S. inches.
1 inch = 25.4 mm.

TRACTOR - - MODEL NO. M12597RB (96061028700) PRODUCT NO. 960 61 02-87 DRIVE

| KEY NO. | PART NO. | DESCRIPTION | KEY NO. | PART NO. | DESCRIPTION |
|---------|--------------|----------------------------------|---------|--------------|-------------------------------------|
| 1 | ----- | Transaxle Peerless 206-546 | 80 | 532 14 50-90 | Arm Shift PMST 20" Tires |
| 2 | 532 14 66-82 | Spring Brake Return | 82 | 532 16 57-11 | Spring, Torsion |
| 3 | 532 16 59-99 | Pulley Transaxle | 83 | 819 17 12-16 | Washer 17/32 x 3/4 x 16 Ga. |
| 4 | 812 00 00-28 | Ring Retainer #5100-62 | 84 | 532 16 56-21 | Link Shift |
| 5 | 532 12 15-20 | Strap Torque 30 Degrees | 96 | 532 12 47-88 | Spring, Retainer 1" |
| 6 | 817 06 05-12 | Screw 5/16-18 x 3/4 | 112 | 819 09 12-10 | Washer 9/32 x 3/4 x 10 Ga. |
| 8 | 532 19 27-06 | Rod Shift | 120 | 873 90 06-00 | Nut Lock Flg. 3/8-16 unc |
| 9 | 532 40 85-79 | Clutch Noram | 150 | 532 16 58-50 | Bushing, Bellcrank Grnd. Dr. |
| 10 | 876 02 04-16 | Pin, Cotter 1/8 x 1 | 151 | 819 13 32-10 | Washer 13/32 x 2 x 10 Ga. |
| 11 | 532 10 57-01 | Washer Plate Shf. .3888 Sq. Hole | 156 | 532 16 60-02 | Washer Srred. 5/16 ID x 1.125 |
| 13 | 874 55 04-12 | Bolt 1/4-28 unf Gr. 8 w/Patch | 158 | 532 16 55-89 | Bracket Shift Mount |
| 14 | 810 04 04-00 | Washer, Lock Hvy. Helical | 159 | 532 18 39-00 | Hub Shift |
| 15 | 874 49 05-44 | Bolt Hex Flg. Hd. 5/16-18 Gr. 5 | 161 | 872 14 04-06 | Bolt Rdhd. Sqnk. 1/4-20 x 3/4 Gr. 5 |
| 16 | 873 80 05-00 | Nut, Lock Hex w/Ins. 5/16-18 unc | 162 | 873 68 04-00 | Nut Crownlock 1/4-20 unc |
| 18 | 874 78 06-16 | Bolt Hex 3/8-16 unc x 1 Gr. 5 | 163 | 874 78 04-16 | Bolt Hex Fin. 1/4-20 unc x 1 Gr. 5 |
| 19 | 873 80 06-00 | Nut, Lock Hex w/Wsh. 3/8-16 unc | 165 | 532 16 56-23 | Bracket Pivot Lever |
| 21 | 532 10 69-33 | Knob Duckhead | 166 | 817 49 05-10 | Screw 5/16-18 x 5/8 |
| 22 | 532 17 56-07 | Rod, Brake CRD | 167 | 532 16 55-88 | Bracket Support Shift CRD |
| 24 | 873 35 06-00 | Nut | 168 | 532 16 54-92 | Bolt Shoulder 5/16-18 x .561 |
| 25 | 532 10 68-88 | Spring, Rod, Brake | 171 | 817 49 06-08 | Bracket Idler Chass Noram |
| 26 | 819 13 13-16 | Washer 13/32 x 13/16 x 16 Ga. | 172 | 532 16 56-35 | Shaft Asm. Shift Front |
| 27 | 876 02 04-12 | Pin, Cotter 1/8 x 3/4 | 177 | 532 16 59-32 | Keeper Flat Idler 3.06" CRD |
| 28 | 532 17 57-65 | Rod, Parking Brake | 181 | 532 18 02-11 | Bracket Idler Ground Drive CRD |
| 29 | 532 07 16-73 | Cap Brake Parking | 182 | 532 18 26-82 | Keeper Belt 2.5" Od. V-Idler CRD |
| 30 | 532 17 49-73 | Bracket, Mfg. Transaxle | 183 | 532 19 95-34 | Pulley V-Idler |
| 34 | 532 17 55-78 | Shaft, Asm. Pedal Foot | 187 | 817 58 05-20 | Screw 5/16-18 x 1.25 |
| 35 | 532 12 01-83 | Bearing, Nylon | 203 | 871 17 07-80 | Bolt Hex 7/16-20 x 5 |
| 36 | 819 21 16-16 | Washer 21/32 x 1 x 16 Ga. | 207 | 532 16 98-45 | Washer Nylon Rear |
| 37 | 532 12 49-63 | Pin, Roll 3/16 x 1" | 214 | 532 17 56-09 | Shaft Asm. Blade |
| 38 | 532 16 59-36 | Pulley, Flat | 215 | 532 41 01-42 | Rod Brake Secondary |
| 39 | 874 76 06-44 | Bolt Fin Hex 3/8-16 unc x 2-3/4 | 253 | 532 17 50-28 | Bracket Cable Chassis |
| 40 | 532 12 49-65 | Spacer, Split 395 x 59 Bzp. | 254 | 817 00 06-16 | Screw 3/8-16 x 1 |
| 42 | 819 13 13-12 | Washer 13/32 x 13/16 x 12 Ga. | 255 | 532 17 56-08 | Brace Shaft Brake Mtg. |
| 43 | 819 11 10-12 | Washer 11/32 x 5/8 x 12 Ga. | 258 | 532 17 80-62 | Clip Retainer |
| 47 | 532 12 77-83 | Pulley, Idler, V Groove Plastic | 261 | 532 13 14-94 | Spacer Noram CRD |
| 48 | 532 15 44-07 | Bellcrank Clutch Grnd. Drv. | 262 | 872 11 06-22 | Bolt Rdhd. 3/8-16 unc x 2-3/4 Gr. 5 |
| 49 | 532 12 32-05 | Retainer, Belt Style Spring | 263 | 817 00 06-12 | Screw 3/8-16 x 3/4 |
| 50 | 872 11 06-12 | Bolt 3/8-16 unc x 1-1/2 | 264 | 532 43 11-74 | Spacer |
| 51 | 873 68 06-00 | Nut, Crownlock 3/8-16 unc | 265 | 532 40 46-07 | Pulley Idler Flat 3.060 |
| 53 | 532 19 96-52 | Link, Clutch 7.66 | 266 | 532 18 20-61 | Shield Idler Mower CRD |
| 55 | 532 10 57-09 | Spring, Return, Clutch | 268 | 532 18 24-02 | Guard Muffler RH |
| 56 | 817 06 06-20 | Screw 3/8-16 x 1-1/4 | 275 | 819 13 16-14 | Washer 13/32 x 1 x 1.4 Ga. |
| 57 | 532 16 56-31 | V-Belt Drive | 292 | 532 40 02-71 | Bolt RDHD SQNK 3/8-16 x 3-1/2 |
| 62 | 532 12 48-72 | Cover, Pedal | 293 | 872 14 06-28 | Nut Jam 3/8-16 |
| 65 | 810 04 07-00 | Washer | 294 | 532 19 70-33 | Screw Thdrol 3/8-16 x1/2 TY-YY |
| 66 | 532 15 47-78 | Keeper, Belt Engine F-Proof | 295 | 532 17 91-14 | Pulley Idler |
| 74 | 532 13 70-57 | Spacer Axle | 296 | 532 42 09-20 | Shield Chassis Rear |
| 75 | 532 12 17-49 | Washer 25/32 x 1-1/4 x 16 Ga. | 297 | 817 49 06-10 | Screw Hxwsh Thd 3/8-16 x 5/8 |
| 76 | 812 00 00-01 | Ring, E | | | |
| 77 | 532 12 35-83 | Key, Square | | | |
| 78 | 532 12 17-48 | Washer 25/32 x 1-5/8 x 16 Ga. | | | |
| 79 | 532 12 50-96 | Key Woodruff | | | |

NOTE: All component dimensions given in U.S. inches
1 inch = 25.4 mm

**TRACTOR - - MODEL NO. M12597RB (96061028700) PRODUCT NO. 960 61 02-87
ENGINE**



**OPTIONAL EQUIPMENT
Spark Arrester**

engine-CRD_bs_19

TRACTOR - - MODEL NO. M12597RB (96061028700) PRODUCT NO. 960 61 02-87 ENGINE

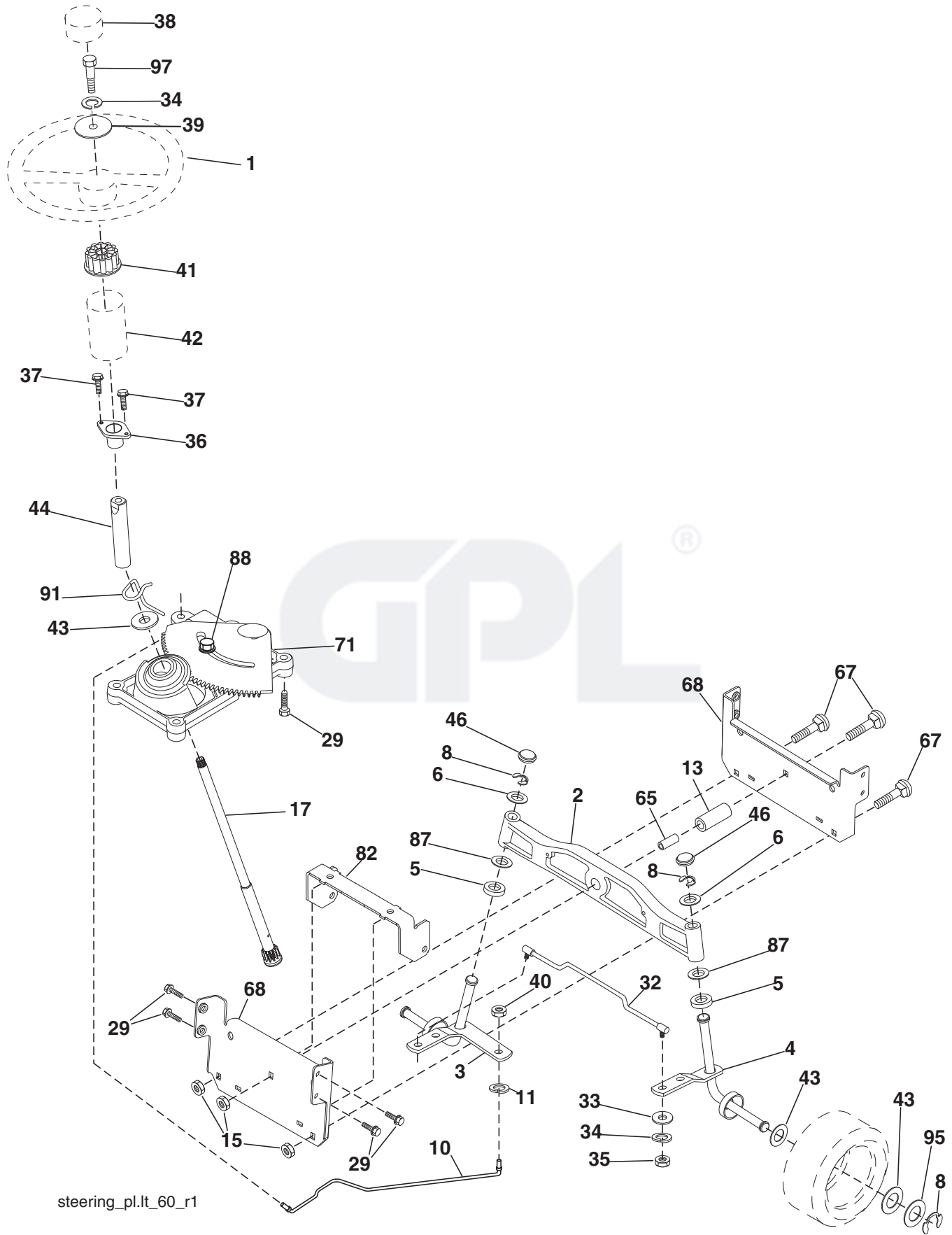
| KEY NO. | PART NO. | DESCRIPTION |
|---------|--------------|-------------------------------------|
| 1 | 532 17 05-51 | Control Throt. /Ch. Flag |
| 2 | 817 72 04-08 | Screw Hex Thd. Cut 1/4-20 x 1/2 |
| 3 | ----- | Engine Briggs 219807-1168-B1 |
| 4 | 532 17 97-58 | Muffler |
| 8 | 532 17 18-77 | Bolt 5/16-18 x 3/4 |
| 13 | 532 16 52-91 | Gasket |
| 23 | 532 16 98-37 | Shield Browning/Debris Guard |
| 25 | 532 19 06-95 | Control Choke |
| 29 | 532 13 71-80 | Arrester Spark |
| 31 | 532 40 75-16 | Tank Fuel |
| 32 | 532 43 02-20 | Cap Asm. Fuel |
| 33 | 532 12 34-87 | Clamp Hose Blk. |
| 37 | 532 13 70-40 | Line Fuel 20" |
| 40 | 532 12 40-28 | Bushing |
| 44 | 817 67 04-12 | Screw Hex Wsh. Thdrol. 1/4-20 x 3/4 |
| 45 | 817 00 06-12 | Screw Hex Wsh. Thdrol. 3/8-16 x 3/4 |
| 46 | 819 09 14-16 | Washer 9/32 x 7/8 x 16 Ga. |
| 72 | 532 19 23-34 | Screw Socket HD 5/16-18 x .75 |
| 78 | 817 06 06-20 | Screw 3/8-16 x 1-1/4 |
| 81 | 873 51 04-00 | Nut Keps 1/4-20 unc |
| 119 | 532 19 97-68 | Guard Engine LH |
| 120 | 532 19 97-67 | Guard Engine RH |
| 121 | 532 19 66-88 | Clips Threaded |
| 122 | 532 42 19-22 | Extension Drain Oil |
| 123 | 817 67 05-08 | Screw Thdrol. 5/16-18 x 1/2 |
| 136 | 532 13 77-29 | Screw Thdrol. 1/4-20 x 5/8 |

NOTE: All component dimensions given in U.S. inches
1 inch = 25.4 mm

Engine Power Rating Information

The gross power rating for individual gas engine models is labeled in accordance with SAE (Society of Automotive Engineers) code J1940 (Small Engine Power & Torque Rating Procedure), and rating performance has been obtained and corrected in accordance with SAE J1995 (Revision 2002-05). Torque values are derived at 3060 RPM; horsepower values are derived at 3600 RPM. Actual gross engine power will be lower and is affected by, among other things, ambient operating conditions and engine-to-engine variability. Given both the wide array of products on which engines are placed and the variety of environmental issues applicable to operating the equipment, the gas engine will not develop the rated gross power when used in a given piece of power equipment (actual "on-site" or net power). This difference is due to a variety of factors including, but not limited to, accessories (air cleaner, exhaust, charging, cooling, carburetor, fuel pump, etc.), application limitations, ambient operating conditions (temperature, humidity, altitude), and engine-to-engine variability. Due to manufacturing and capacity limitations, Briggs & Stratton may substitute an engine of higher rated power for this Series engine.

TRACTOR - - MODEL NO. M12597RB (96061028700) PRODUCT NO. 960 61 02-87
STEERING ASSEMBLY



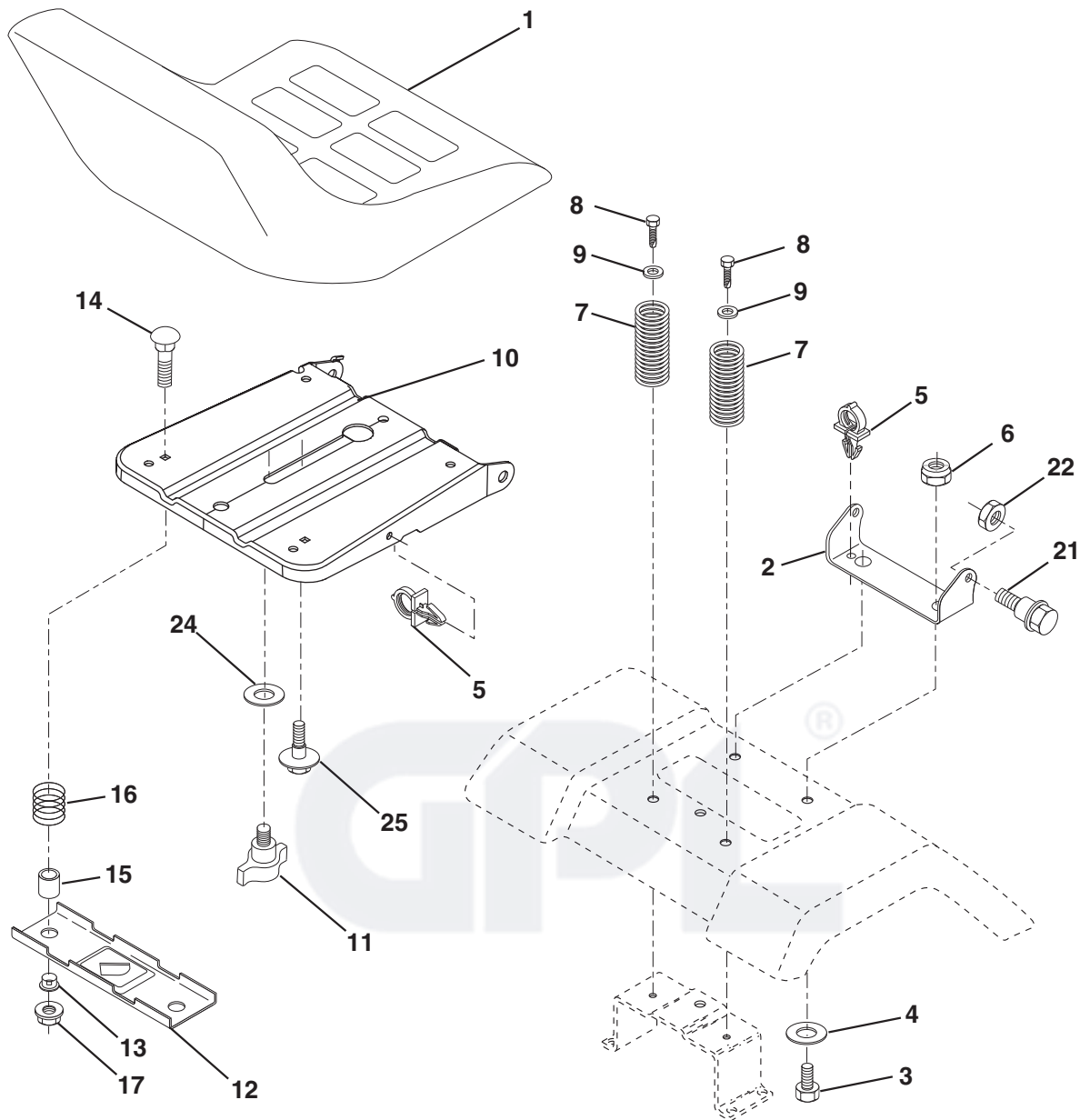
steering_pl.it_60_r1

**TRACTOR - - MODEL NO. M12597RB (96061028700) PRODUCT NO. 960 61 02-87
STEERING ASSEMBLY**

| KEY NO. | PART NO. | DESCRIPTION |
|----------------|-----------------|--------------------------------------|
| 1 | 532 42 45-43 | Steering Wheel |
| 2 | 532 18 47-06 | Axle Asm. Cast Iron Lt. |
| 3 | 532 16 98-40 | Spindle Assembly, LH |
| 4 | 532 16 98-39 | Spindle Assembly, RH |
| 5 | 532 12 49-31 | Bearing, Race, Thrust, Hardened |
| 6 | 532 12 17-48 | Washer 25/32 x 1-5/8 x 16 Ga. |
| 8 | 812 00 00-29 | Ring, Clip |
| 10 | 532 17 51-21 | Link, Drag |
| 11 | 810 04 06-00 | Washer, Lock |
| 13 | 532 13 65-18 | Spacer Brg. Axle Front |
| 15 | 532 14 52-12 | Nut Hex Flange Lock |
| 17 | 532 19 07-53 | Shaft, Steering |
| 29 | 817 00 06-12 | Screw 3/8-16 x 3/4 |
| 32 | 532 17 01-62 | Rod, Tie |
| 33 | 819 11 12-16 | Washer 11/32 x 3/4 x 16 Ga. |
| 34 | 810 04 05-00 | Washer Lock Hvy. Hlcl. Spr. 5/16 |
| 35 | 873 54 05-00 | Crownlock Nut 5/16-24 unf 3847 |
| 36 | 532 15 50-99 | Bushing, Steering |
| 37 | 532 15 29-27 | Screw TT #10-32 x 5 x 3/8 Flange |
| 38 | 532 42 46-91 | Cap Wheel Steering |
| 39 | 819 11 38-12 | Washer 11/32 ID x 2- 3/8 OD x 12 Ga. |
| 40 | 876 54 06-00 | Nut Lock 3/8-24 |
| 41 | 532 18 67-37 | Adaptor, Steering Wheel |
| 42 | 532 16 96-33 | Boot, Steering Dash P/L Mtl. |
| 43 | 532 12 17-49 | Washer 25/32 x 1-1/4 x 16 Ga. |
| 44 | 532 19 07-52 | Extension Steering Shaft |
| 46 | 532 12 12-32 | Cap, Spindle |
| 65 | 532 41 47-36 | Spacer Brace Axle |
| 67 | 872 11 06-18 | Bolt Rdhd. Sqnk. 3/8-16 x 2-1/4 |
| 68 | 532 16 98-27 | Brace Axle |
| 71 | 532 17 51-46 | Steering Asm. |
| 82 | 532 19 99-78 | Bracket Susp. Chassis Front |
| 87 | 532 17 39-66 | Washer Flat .781 x 1 1/2 x .14 |
| 88 | 532 17 51-18 | Bolt Shoulder 7/16-20 unc |
| 91 | 532 17 55-53 | Clip Steering |
| 95 | 532 18 89-67 | Washer |
| 97 | 532 42 89-82 | Bolt 5/16-18 unc x 4" L. Gr. 5 |

NOTE: All component dimensions given in U.S. inches.
1 inch = 25.4 mm.

**TRACTOR - - MODEL NO. M12597RB (96061028700) PRODUCT NO. 960 61 02-87
SEAT ASSEMBLY**



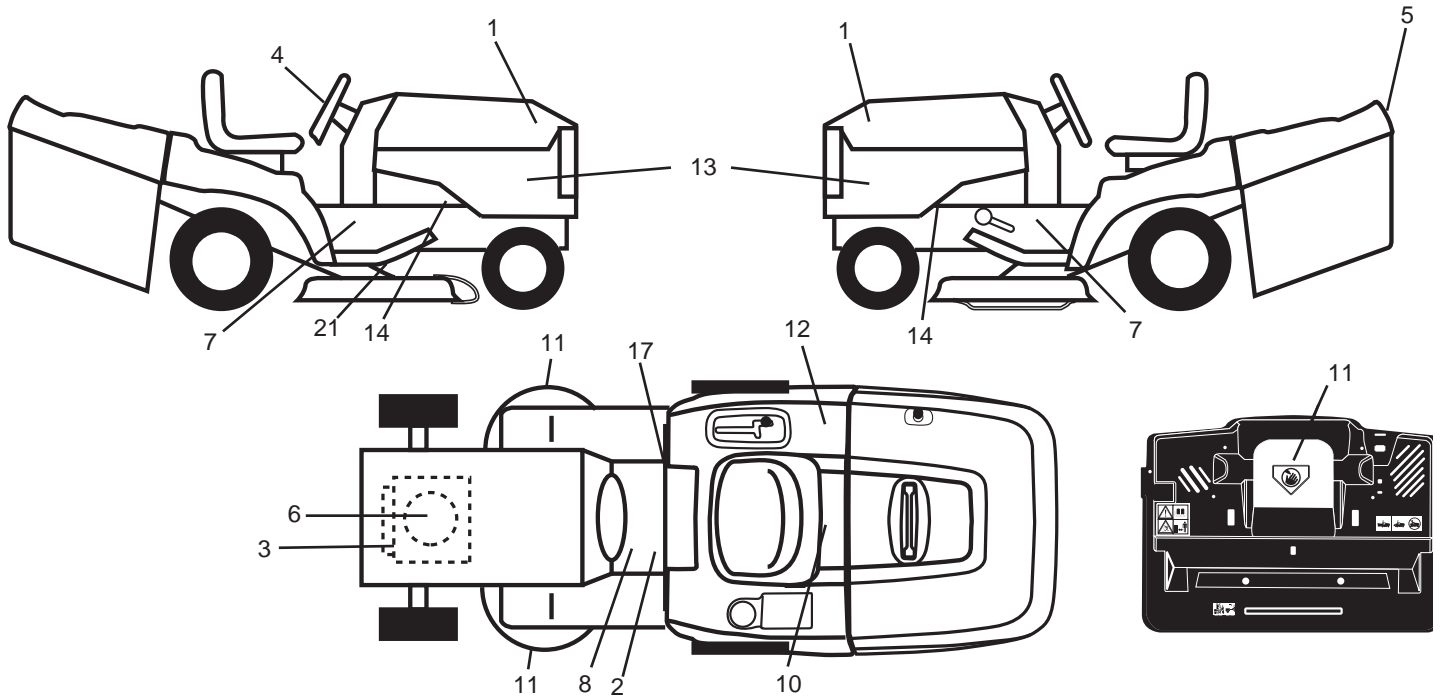
seat_lt.knob_13

| KEY NO. | PART NO. | DESCRIPTION |
|---------|--------------|-----------------------------------|
| 1 | 532 40 10-42 | Seat |
| 2 | 532 14 05-51 | Bracket Pnt. Pivot Seat (Blk.) |
| 3 | 871 11 06-16 | Bolt Fin. Hex 3/8-16 x 1 |
| 4 | 819 13 16-10 | Washer Flat 13/32 x 1 x 10 Ga. |
| 5 | 532 14 50-06 | Clip Push In Hinged |
| 6 | 873 80 06-00 | Nut Lock Hx. w/Ins. 3/8-16 |
| 7 | 532 12 41-81 | Spring Seat Cprsn. 2 250 Blk. Zi. |
| 8 | 817 00 06-16 | Screw 3/8-16 x 1-1/2 |
| 9 | 819 13 16-14 | Washer 13/32 x 1 x 14 Ga. |
| 10 | 532 19 55-30 | Pan Pnt. Seat |
| 11 | 532 16 63-69 | Knob Seat |
| 12 | 532 17 46-48 | Bracket Pnt. Mounting Switch |
| 13 | 532 12 12-48 | Bushing Snap Blk. Nyl. 50 Id. |

| KEY NO. | PART NO. | DESCRIPTION |
|---------|--------------|------------------------------------|
| 14 | 872 05 04-12 | Bolt Rdhd. Sht. Nk. 1/4-20 x 1-1/2 |
| 15 | 532 13 43-00 | Spacer Split |
| 16 | 532 12 12-50 | Spring Cprsn. Plate SW 1.310 Ga. |
| 17 | 532 12 39-76 | Nut Lock 1/4 Lge. Flg. Gr. 5 Zinc |
| 21 | 532 17 18-52 | Bolt Shoulder 5/16-18 unc-2A |
| 22 | 873 80 05-00 | Nut Hex Lock w/Ins. 5/16-18 |
| 24 | 819 17 19-12 | Washer 17/32 x 1-3/16 x 12 Ga. |
| 25 | 532 12 70-18 | Bolt Shoulder 5/16-18 x 62 |

NOTE: All component dimensions given in U.S. inches.
1 inch = 25.4 mm

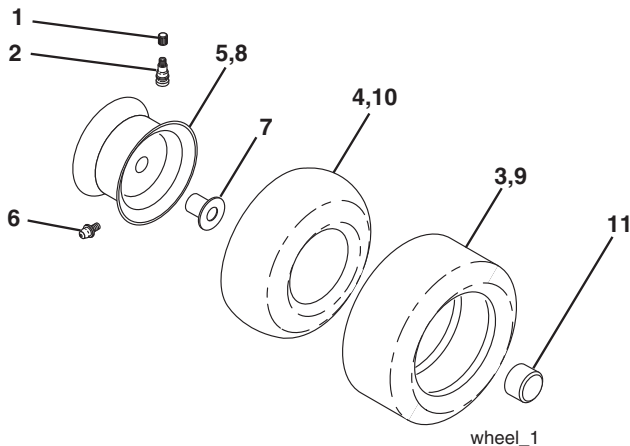
**TRACTOR - - MODEL NO. M12597RB (96061028700) PRODUCT NO. 960 61 02-87
DECALS**



| KEY NO. | PART NO. | DESCRIPTION |
|---------|--------------|------------------------------------|
| 1 | 532 43 12-21 | Decal Hood RH/LH |
| 2 | 532 40 03-89 | Decal Warning Symbols CE |
| 3 | 532 41 79-26 | Decal HP Engine |
| 4 | 532 42 42-36 | Decal Steering Wheel |
| 5 | 532 43 12-23 | Decal Fender Logo |
| 6 | 532 19 68-41 | Decal Warning Engine Symbols |
| 7 | 532 40 11-46 | Decal Warning Service/Fire |
| 8 | 532 15 97-37 | Decal Brake/Clutch Symbol |
| 10 | 532 14 50-05 | Decal Bat. Dan./Poi. P/L Sym. Wpn. |
| 11 | 532 18 21-66 | Decal Mower Cut Finger Symbol |
| 12 | 532 18 04-32 | Decal Fender 100 DB/CE |

| KEY NO. | PART NO. | DESCRIPTION |
|---------|--------------|----------------------------|
| 13 | 532 43 35-81 | Decal Side Panel |
| 14 | 532 15 97-36 | Decal Chassis Hot Muffler |
| 17 | 532 14 08-37 | Decal Saddle Brake Parking |
| 21 | 532 16 62-86 | Decal Deck Sch 92 CRD |
| — | 532 18 10-91 | Pad Footrest LH |
| — | 532 18 10-90 | Pad Footrest RH |
| — | 532 13 83-11 | Decal Lift Handle |
| — | 532 43 30-30 | Manual Operator's (Euro) |
| — | 532 43 30-31 | Manual Parts |

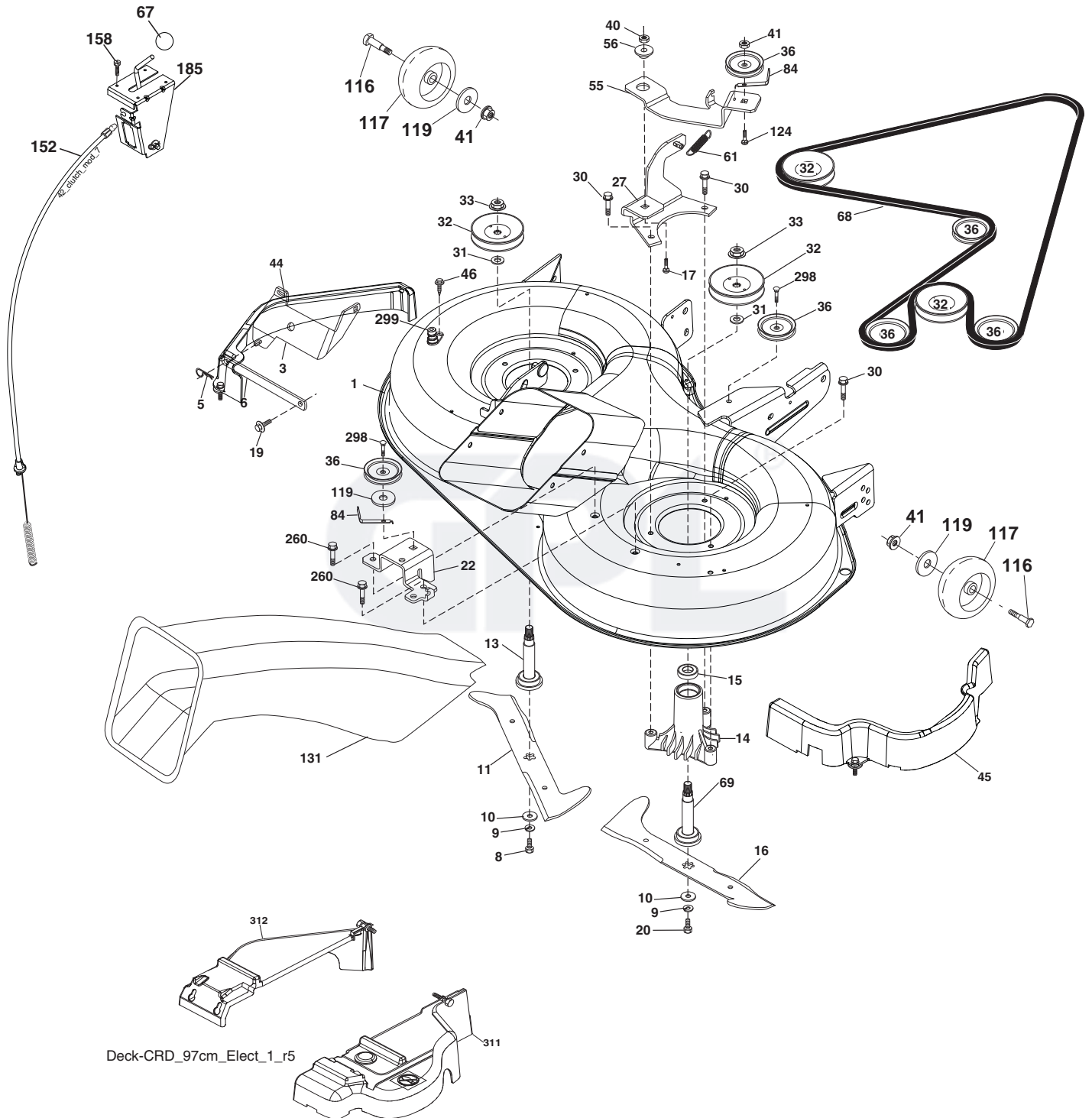
WHEELS & TIRES



| KEY NO. | PART NO. | DESCRIPTION |
|---------|--------------|--------------------------------------|
| 1 | 532 05 91-92 | Cap Valve Tire |
| 2 | 532 06 51-39 | Stem Valve |
| 3 | 532 10 62-22 | Tire F Ts 15 x 6 0 - 6 |
| 4 | 532 05 99-04 | Tube Inner Front #35060 |
| 5 | 532 12 51-21 | Rim Asm. Front |
| 6 | 532 12 49-57 | Fitting Grease |
| 7 | 532 12 49-59 | Bearing Flange |
| 8 | 532 12 51-22 | Rim Asm. 8" Rear |
| 9 | 532 42 05-31 | Tire Rear 18 x 9.5-8 "Turf Saver LT" |
| 10 | 532 12 49-26 | Tube Rear 9 5 x 8 |
| 11 | 532 17 50-39 | Cap Axle Blk. 1 50 x 1 00 |
| -- | 532 14 43-34 | Sealant, Tire (10 oz. tube) |

NOTE: All component dimensions given in U.S. inches.
1 inch = 25.4 mm

TRACTOR - - MODEL NO. M12597RB (96061028700) PRODUCT NO. 960 61 02-87
MOWER



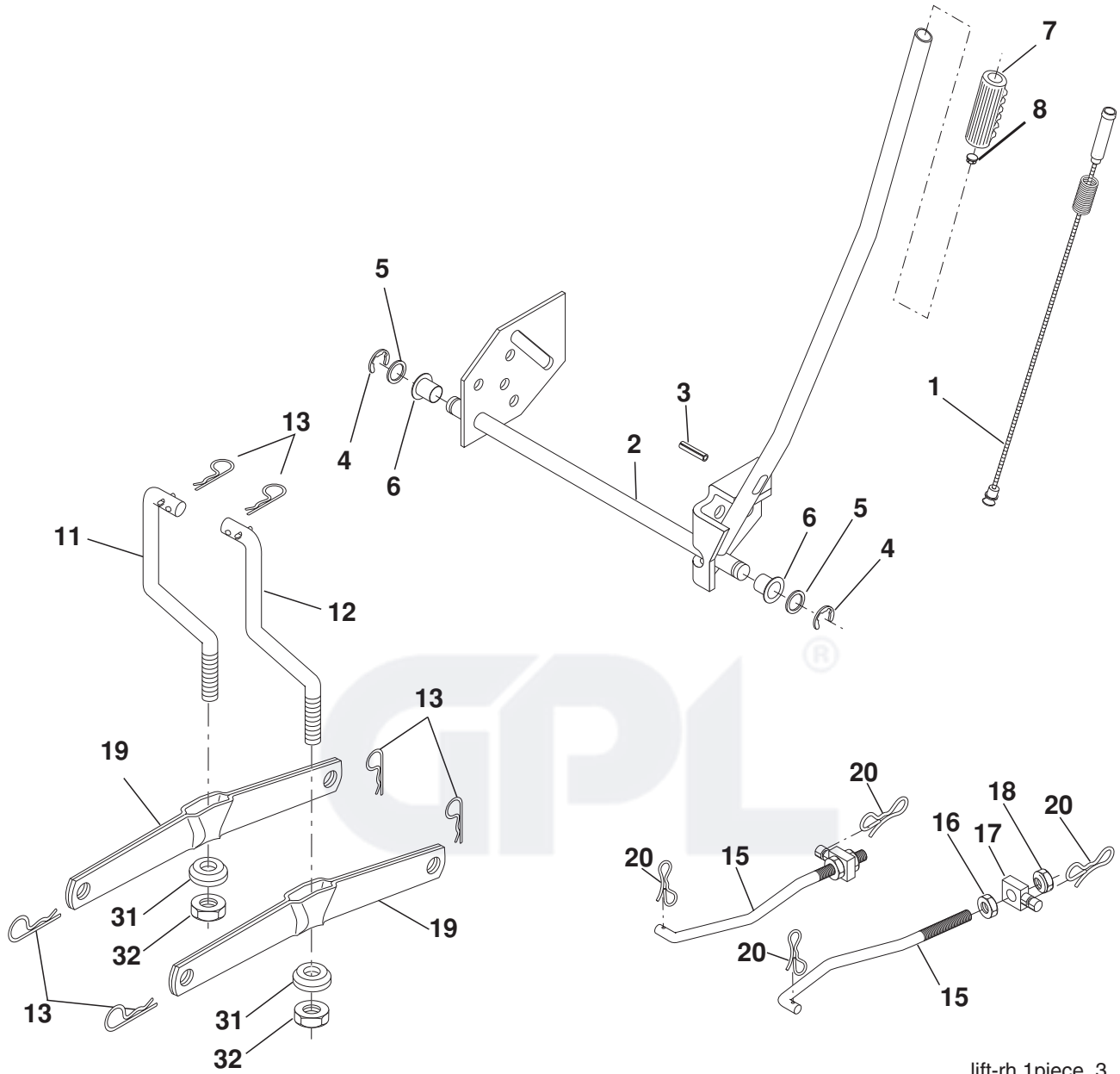
Deck-CRD_97cm_Elect_1_r5

**TRACTOR - - MODEL NO. M12597RB (96061028700) PRODUCT NO. 960 61 02-87
MOWER**

| KEY NO. | PART NO. | DESCRIPTION | KEY NO. | PART NO. | DESCRIPTION |
|----------------|-----------------|-------------------------------------|----------------|-----------------|--|
| 1 | 532 42 91-21 | Housing Asm. Mower 97 CRD | 61 | 532 19 94-86 | Spring Tension Belt |
| 3 | 532 43 18-64 | Bracket Asm. S-Bar Chass 97 CRD | 67 | 532 10 69-32 | Knob Rd. |
| 5 | 532 12 46-70 | Retainer Spring | 68 | 532 42 95-32 | Belt Drive 97 Mower |
| 6 | 532 16 55-57 | Bar Sway 97 CRD | 69 | 532 16 54-82 | Shaft Asm w/Lwr Brg RH Thd CRD |
| 8 | 532 18 17-12 | Bolt 3/8-24 x 1.25 Gr. 8 Patched | 84 | 532 15 60-85 | Keeper Belt Idler |
| 9 | 810 03 06-00 | Washer Lock Hvy 3/8 Unplated | 116 | 532 19 34-06 | Bolt Shoulder |
| 10 | 532 14 02-96 | Washer Hard | 117 | 532 17 48-73 | Wheel Gage |
| 11 | 532 42 79-84 | Blade 3-1 LH 97 CRD | 119 | 819 13 20-12 | Washer 13/32 x 1-1/4 x 12 GA. |
| 13 | 532 13 76-45 | Shaft Asm. w/Lower Bearing | 124 | 872 11 06-12 | Bolt Carr Sh 3/8-16 x 1-1/2 Gr. 5 |
| 14 | 532 12 87-74 | Housing Mandrel Vented (Machd) | 131 | 532 16 56-61 | Chute Bagger CRD 97cm |
| 15 | 532 11 04-85 | Bearing Ball Mandrel | 152 | 532 17 60-74 | Cable Clutch |
| 16 | 532 42 79-85 | Blade 3-1 RH 97 CRD Rear RH | 158 | 817 72 04-08 | Screw Thd Cut 1/4-20 x 1/2 |
| 17 | 872 14 06-10 | Bolt Carriage 3/8-16 x 1-1/4 | 185 | 532 18 82-34 | Head Asm. Cable Clutch |
| 19 | 532 13 28-27 | Bolt Shoulder 5/16-18 Thd Form | 260 | 817 67 06-08 | Screw Thdrol 3/8-16 x 1/2 |
| 20 | 532 18 17-13 | Bolt 3/8-24 x 1.25 Gr. 8 Ptch Lhthd | 298 | 817 49 06-28 | Screw Thdrol 3/8-16 x 1-3/4 |
| 22 | 532 43 11-69 | Bracket Idler Sprt 97 CRD Rear RH | 311 | 532 43 07-75 | Cover Deck LH |
| 27 | 532 42 79-81 | Bracket Asm. Susp. Rear RH | 312 | 532 43 07-74 | Cover Deck RH |
| 30 | 532 17 39-84 | Screw Thd Rolling | -- | 532 18 18-57 | Mandrel Assembly (Includes hous- ing, shaft assembly, and bear- ing only - pulley/nut/washer and blade bolt/washers not included) |
| 31 | 532 18 76-90 | Washer Spacer Mower Vented | -- | 532 18 18-58 | Mandrel Asm CRDLH Threads SVC |
| 32 | 532 15 35-32 | Mandrel Pulleys | -- | 532 43 30-38 | Replacement Mower, Complete (Std. Deck - Order separately guage wheel componentskeynos. 116, 117 & 119) |
| 33 | 532 40 02-34 | Nut Flg Top Lock | | | |
| 36 | 532 14 67-63 | Pulley Idler V-Groove Dim 4.25 | | | |
| 40 | 873 68 06-00 | Nut Crownlock 3/8-16 unc | | | |
| 41 | 873 90 06-00 | Nut Lock Flg. 3/8-16 unc | | | |
| 44 | 532 43 02-10 | Cover Mandrel LH 97 CRD | | | |
| 45 | 532 43 02-09 | Cover Mandrel RH 97 CRD | | | |
| 55 | 532 19 94-98 | Arm Idler 97 CRD | | | |
| 56 | 532 16 57-23 | Spacer Retainer Mower | | | |

NOTE: All component dimensions given in U.S. inches
1 inch = 25.4 mm

**TRACTOR - - MODEL NO. M12597RB (96061028700) PRODUCT NO. 960 61 02-87
MOWER LIFT**



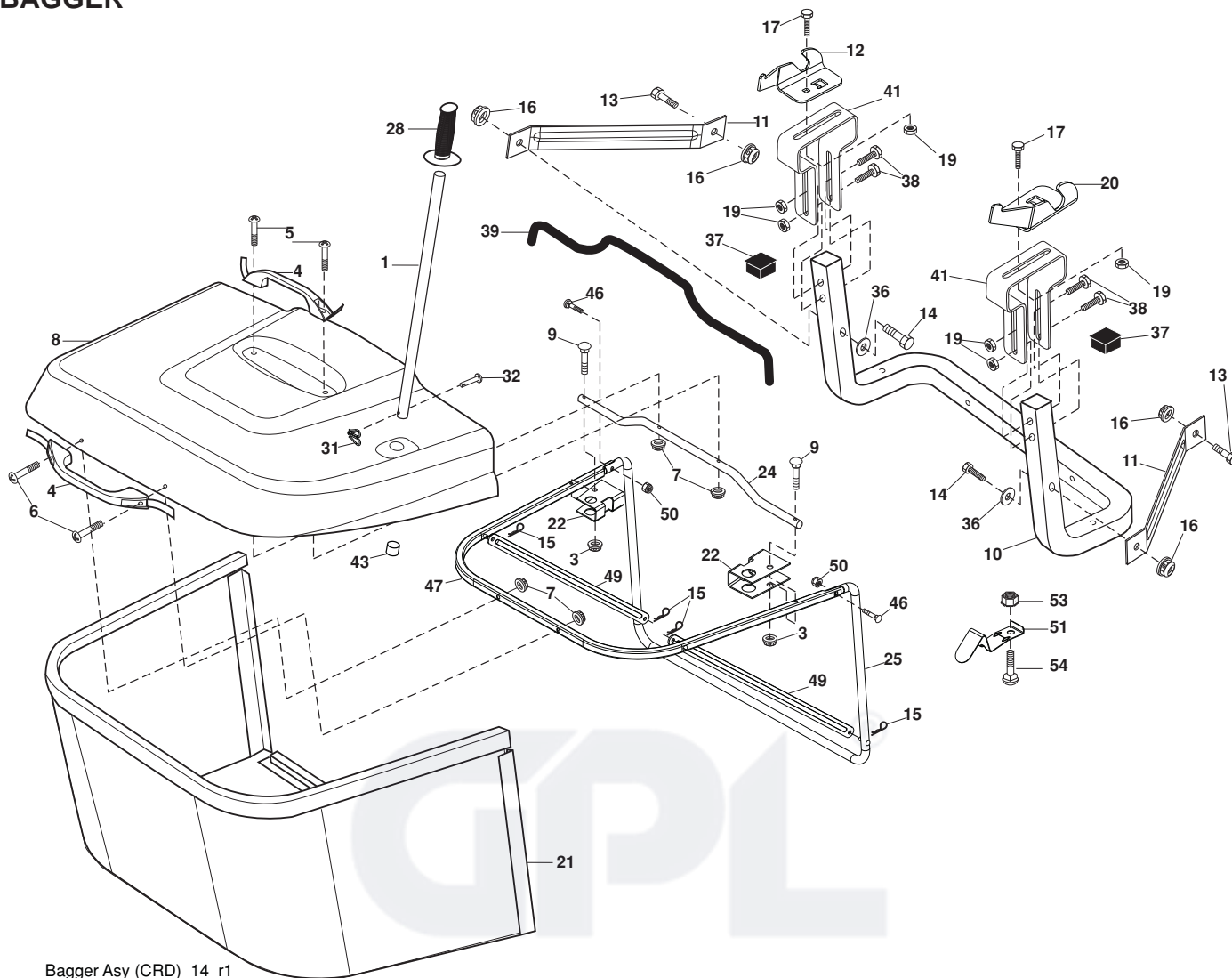
lift-rh.1piece_3

| KEY NO. | PART NO. | DESCRIPTION |
|---------|--------------|---------------------------|
| 1 | 532 40 49-81 | Plunger Asm. Lift Lever |
| 2 | 532 15 94-71 | Shaft Asm. Lift |
| 3 | 532 10 57-67 | Pin Groove |
| 4 | 812 00 00-02 | E Ring #5133-62 |
| 5 | 819 21 16-21 | Washer 21/32 x 1 x 21 Ga. |
| 6 | 532 12 01-83 | Bearing Nylon |
| 7 | 532 10 94-13 | Grip Handle |
| 8 | 532 12 45-26 | Button Plunger Black |
| 11 | 532 13 98-65 | Link Lift LH |
| 12 | 532 13 98-66 | Link Lift RH |
| 13 | 532 12 46-70 | Retainer Spring |
| 15 | 532 17 32-88 | Link Front |

| KEY NO. | PART NO. | DESCRIPTION |
|---------|--------------|------------------------------|
| 16 | 873 35 08-00 | Nut Jam Hex 1/2-13 unc |
| 17 | 532 17 56-89 | Trunnion |
| 18 | 873 80 08-00 | Nut Lock w/Wsh. 1/2-13 unc |
| 19 | 532 13 98-68 | Arm, Suspension Mower |
| 20 | 532 19 42-09 | Pin Cotter 7/16 Bow Tie Lock |
| 31 | 532 16 98-65 | Bearing, Pvt. Lift. |
| 32 | 873 54 06-00 | Nut Crownlock 3/8-24 |

NOTE: All component dimensions given in U.S. inches.
1 inch = 25.4 mm

TRACTOR - - MODEL NO. M12597RB (96061028700) PRODUCT NO. 960 61 02-87 BAGGER



Bagger Asy (CRD)_14_r1

| KEY NO. | PART NO. | DESCRIPTION | KEY NO. | PART NO. | DESCRIPTION |
|---------|--------------|--|---------|--------------|----------------------------------|
| 1 | 532 42 86-10 | Tube Handle Bagger CRD | 25 | 532 19 37-05 | Tube Front Bagger CRD |
| 3 | 532 12 39-76 | Nut Lock 1/4 Lge. Flg. Gr. 5 Zinc | 28 | 532 16 57-87 | Grip Handle Black |
| 4 | 532 16 99-16 | Handle Bagger w/Lvrs. Blk. CRD | 31 | 532 16 94-84 | Retainer Clip |
| 5 | 874 98 10-24 | Screw Pan Head #10-24 x 1.50 Blk. | 32 | 532 12 68-75 | Rivet Rd. Hd. Drilled 3/8 Dia |
| 6 | 874 98 10-32 | Screw Pan Hd | 36 | 819 13 20-12 | Washer 13/32 x 1-1/4 x 12 Ga. |
| 7 | 873 40 10-00 | Nut Wiz Lock Hex Serr./Hd. 10-24 | 37 | 532 17 54-01 | Plug Support Bagger CRD |
| 8 | 532 18 25-14 | Cover Bagger | 38 | 872 01 05-20 | Bolt 5/16-18 x 2-1/2 |
| 9 | 872 14 04-18 | Bolt Carriage 1/4-20 x 2.25 d. x Gr. 5 | 39 | 532 41 62-57 | Seal |
| 10 | 532 18 12-82 | Tube Support Bagger CRD | 41 | 532 43 27-55 | Bracket Bagger SD Electric |
| 11 | 532 16 57-19 | Bracket Support Upper Bag CRD | 43 | 532 17 40-83 | Plug Tubing |
| 12 | 532 18 88-48 | Bracket Pivot LH | 46 | 872 11 05-10 | Bolt Carr. 5/16-18 x 1-1/4 Gr. 5 |
| 13 | 874 76 06-12 | Bolt Fin. Hex 3/8-16 unc x 3/4 | 47 | 532 19 37-04 | Tube Upper Bagger |
| 14 | 874 52 06-36 | Bolt Carr. | 49 | 532 19 33-05 | Bar Spreader |
| 16 | 873 90 06-00 | Nut Lock Flg. 3/8-16 unc | 50 | 873 80 05-00 | Nut Lock Thx. w/Ins. 5/16-18 unc |
| 15 | 532 12 46-70 | Retainer Spring | 51 | 532 19 99-03 | Latch Spring Bagger |
| 17 | 872 14 05-06 | Bolt, Rdhd. Sht. Sqnk. 5/16-18 unc x 3/4 | 54 | 872 14 04-06 | Bolt Carr. |
| 19 | 873 90 05-00 | Nut Lock Hexflange 5/16-18 | 53 | 873 51 04-00 | Nut Keps Hex 1/4-20 unc |
| 20 | 532 18 88-47 | Bracket Pivot RH | | | |
| 21 | 532 40 61-80 | Bag Asm. CRD | | | |
| 22 | 532 16 57-81 | Bracket Side Bagger CRD | | | |
| 24 | 532 16 57-83 | Tube Pivot Bagger CRD | | | |

NOTE: All component dimensions given in U.S. inches
1 inch = 25.4 mm

GPL[®]



www.mcculloch.biz