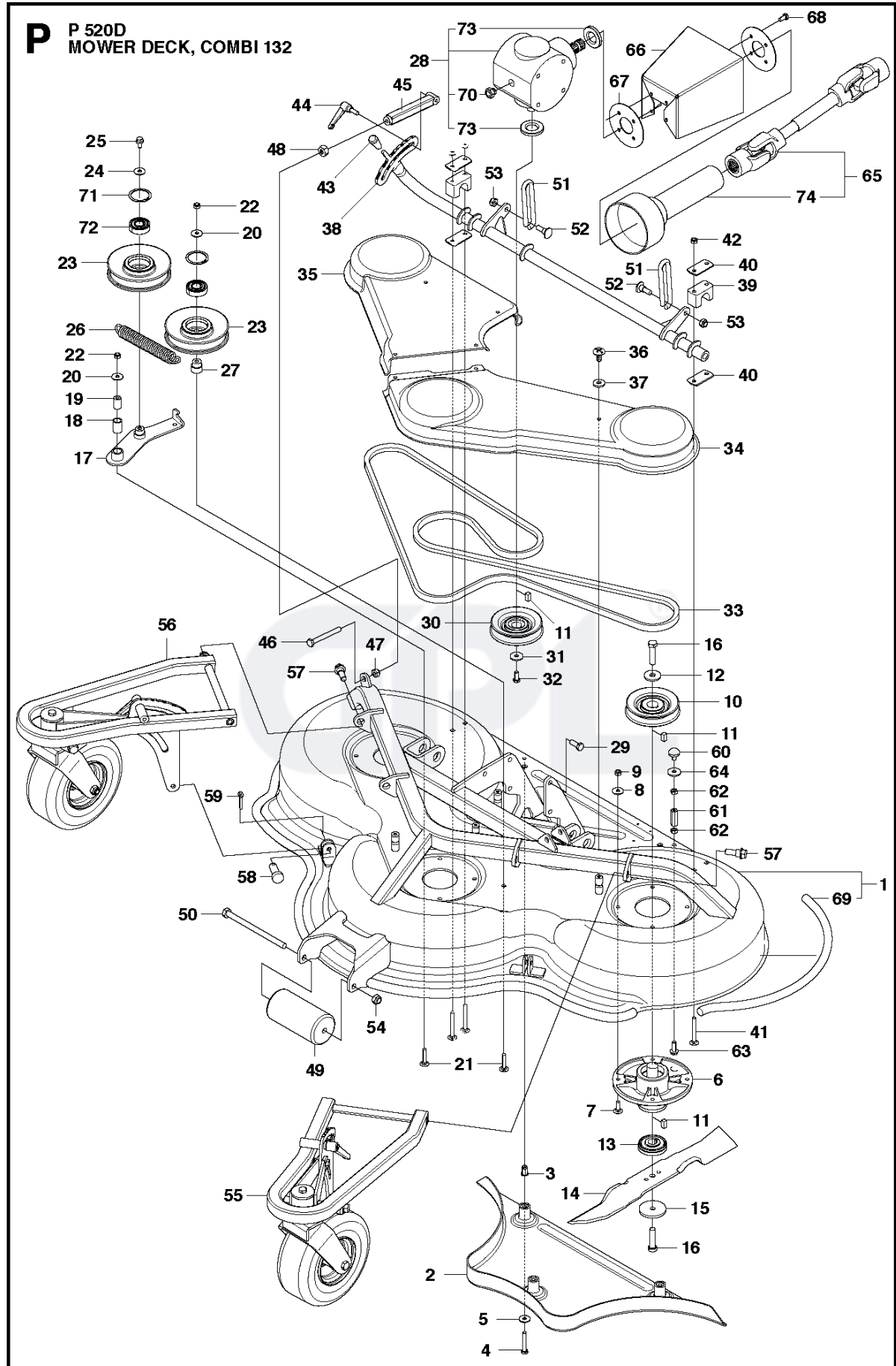




SPARE PARTS LIST

RIDERS[®]

P520 D, 966607301, 2011

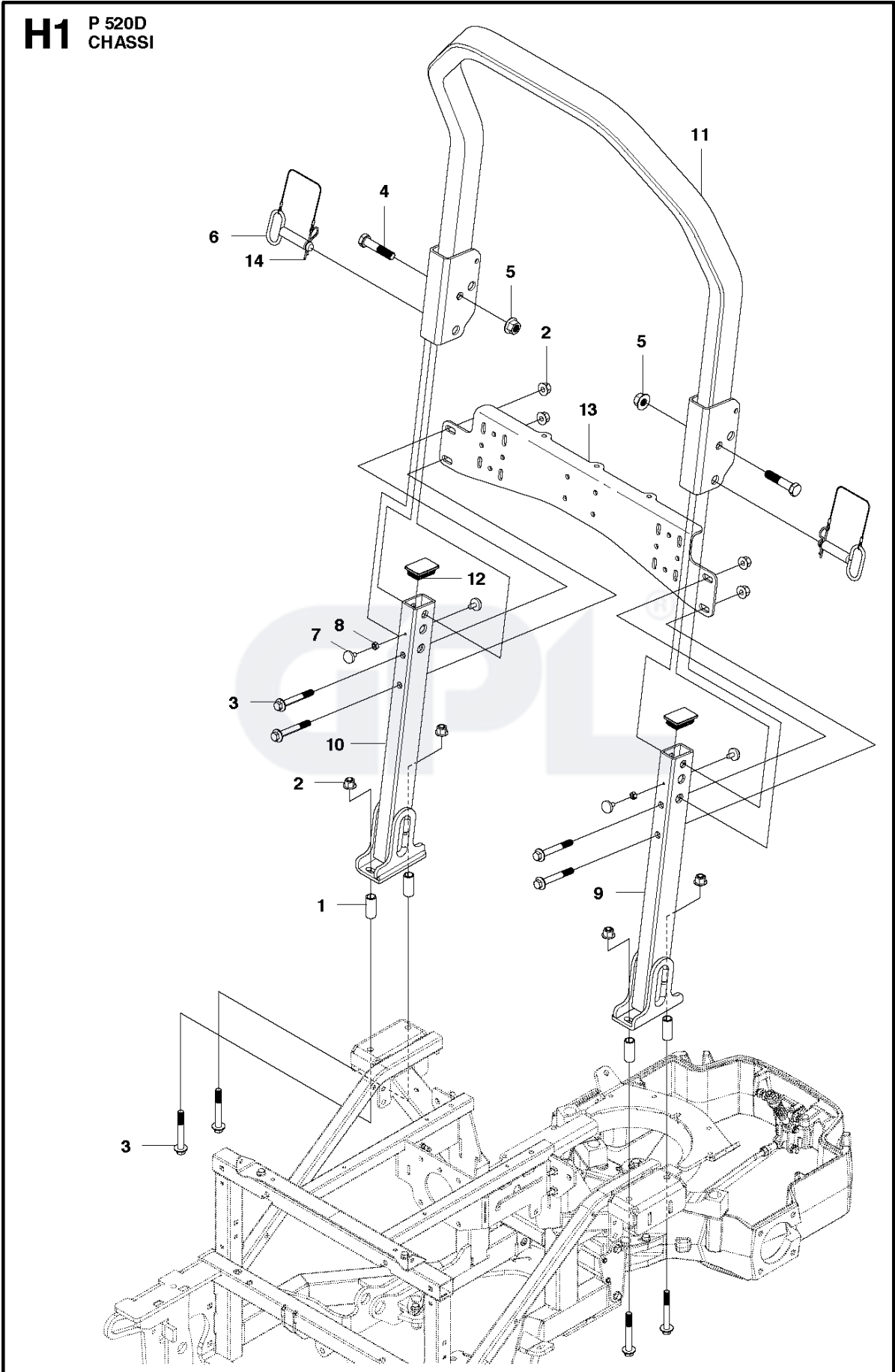


Ref	Part No	Description	Remark	QTY KIT
1	544 16 25-02	CUTTING DECK ASSY	KLIPPKÅPA KPL,C132	1
2	544 16 62-02	PLUG ASSY	PLUGG KPL,C132	1
3	506 91 62-03	BLIND RIVET NUT	BLINDNITMUTTER,M8X19	3
4	725 24 61-51	SCREW EHHM	SKRUV M6S 8X50 FZ	3
5	734 11 64-01	WASHER	BRICKA,BRB 8.4X17	3
6	535 42 86-02	BLADE HOUSING ASSY	KNIVLAGRING KPL,OUTER	3
7	535 42 38-01	SCREW RSQM	SKRUV,MVBF M8X25 GK	12
8	734 11 64-01	WASHER	BRICKA,BRB 8.4X17	12
9	732 21 18-01	LOCK NUT	LÅSMUTTER,M8-8	12
10	544 25 56-01	PULLEY	REMSKIVA,SPB DP118 C	3
11	506 53 35-01	PARALLEL KEY	PLATTKIL,6X6X14	7
12	535 42 92-01	WASHER	BRICKA	3
13	535 50 42-01	BLADE BRACKET	KNIVFÄSTE,XP	3
14	544 17 57-01	RIDE ON BLADE	KNIV,C132	3
15	506 79 23-02	KNIFE PLATE	KNIVBRICKA	3
16	725 25 42-51	SCREW EHHM	SKRUV EHHM,12X50 8.8	6
17	544 17 55-01	BELT TENSIONER	REMSPÄNNARE,CUTTIN G	1
18	506 98 61-03	BUSHING	BUSSNING	1
19	506 99 20-01	PIPE	RÖR,LAGRING	1
20	734 11 64-41	WASHER	BRICKA SRKB 8.4/25X2	2
21	727 64 59-51	SCREW RSQM	SKRUV RSQM,8X40 8.8	2
22	732 21 18-01	LOCK NUT	LÅSMUTTER,M8-8	2
23	523 11 62-01	BELT TENSIONER WHEEL	REMSPÄNNARHJUL KPL,A	2
24	734 11 64-41	WASHER	BRICKA SRKB 8.4/25X2	1
25	725 24 49-61	SCREW EHHFT	SKRUV,M6SF 8X16 TAPT	1
26	544 21 81-05	DRAW SPRING	DRAGFJÄDER,L=122	1
27	535 48 48-01	BUSHING	BUSSNING	1
28	544 18 34-01	BEVEL GEAR	VINKELVÄXEL	1
29	725 24 93-71	SCREW EHHM	SKRUV M6S 10x25 FZ	5
30	544 18 40-01	PULLEY	REMSKIVA,SPB DP118	1
31	544 22 16-01	WASHER	BRICKA,8.4X29X3	1
32	725 24 51-71	SCREW EHHM	SKRUV M6S 8x20 FZ	1
33	504 87 73-01	BELT	REM,C132	1
34	544 18 45-01	BELT COVER	REMKÅPA,C132 L	1
35	544 18 46-01	BELT COVER	REMKÅPA,C132 R	1
36	506 98 26-01	SCREW	SKRUV	5
37	506 55 97-01	WASHER	GUMMIBRICKA	5
38	544 17 52-01	CROSS BAR	TVÄRSTAG	1
39	504 19 03-01	BEARING COVER	LAGERÖVERFALL,Ø25	2
40	506 81 38-01	REINFORCING PLATE	FÖRSTÄRKNINGSPLÅT	4
41	535 42 38-02	SCREW RSQM	SKRUV,MVBF M8X55 GK	4
42	732 21 18-01	LOCK NUT	LÅSMUTTER,M8-8	4
43	535 43 82-01	KNOB	KNOPP	1
44	544 19 68-01	TURNING KNOB	VRED,M 8	1
45	544 20 10-01	PARALLEL ROD	PARALLELLSTÅNG,C 132	1
46	725 25 09-71	SCREW EHHM	SCREW	1
47	732 21 20-01	NUT	MUTTER,M10 LOC	1
48	731 23 20-51	HEXAGON NUT	MUTTER M10 FZ	1
49	544 18 54-01	ROLLER	RULLE	1
50	544 22 10-01	SCREW EHHM	SKRUV EHHM,M12X180	1
51	544 18 50-01	LINK	LÄNK	2
52	544 21 43-01	SCREW	SKRUV,LINK	2
53	732 21 20-51	NUT	MUTTER M10-LOCK	2
54	732 25 22-01	HEXAGON LOCKING NUT	MUTTER M12 LOC	1
55	544 17 32-01	WHEEL SUSPENSION	HJULUPPHÅNGNING,LEF T	1
56	544 17 32-02	WHEEL SUSPENSION	HJULUPPHÅNGNING,RIG HT	1
57	506 89 58-01	COLLAR SCREW	ANSATSSKRUV	4
58	721 84 56-01	CLEVIS PIN	BULT,10X25 FZB	2
59	721 61 83-01	SPLIT PIN	SAXSPRINT 3.2x25	2

Ref	Part No	Description	Remark	QTY KIT
60	501 97 66-01	ANTIVIBRATION ELEMENT	VIBRATIONISOLATOR	2
61	544 31 76-01	SPACING SLEEVE	DISTANSHYLSA,SEAT	2
62	731 23 18-01	HEXAGON NUT	MUTTER M6M8 FZ	4
63	506 57 01-04	SCREW EHHFM	SKRUV EHHFM,8X20	2
64	734 11 64-41	WASHER	BRICKA SRKB 8.4/25X2	2
65	576 49 06-01	SHAFT ASSY	SHAFT ASSY	1
66	522 75 00-01	PROTECTION	PROTECTION	1
67	522 75 01-01	ATTACHMENT PLATE	ATTACHMENT PLATE	2
68	506 57 01-04	SCREW EHHFM	SKRUV M8X20	4
69	522 52 35-01	REINFORCEMENT	REINFORCEMENT	2
70	525 24 97-01	WINDOW	WINDOW	1
71	735 31 40-10	CIRCLIP	CIRCLIP	2
72	738 22 04-19	BALL BEARING	BALL BEARING	2
73	525 24 98-01	GASKET	GASKET	1
74	522 75 02-01	SAFETY GUARD	SAFETY GUARD	1



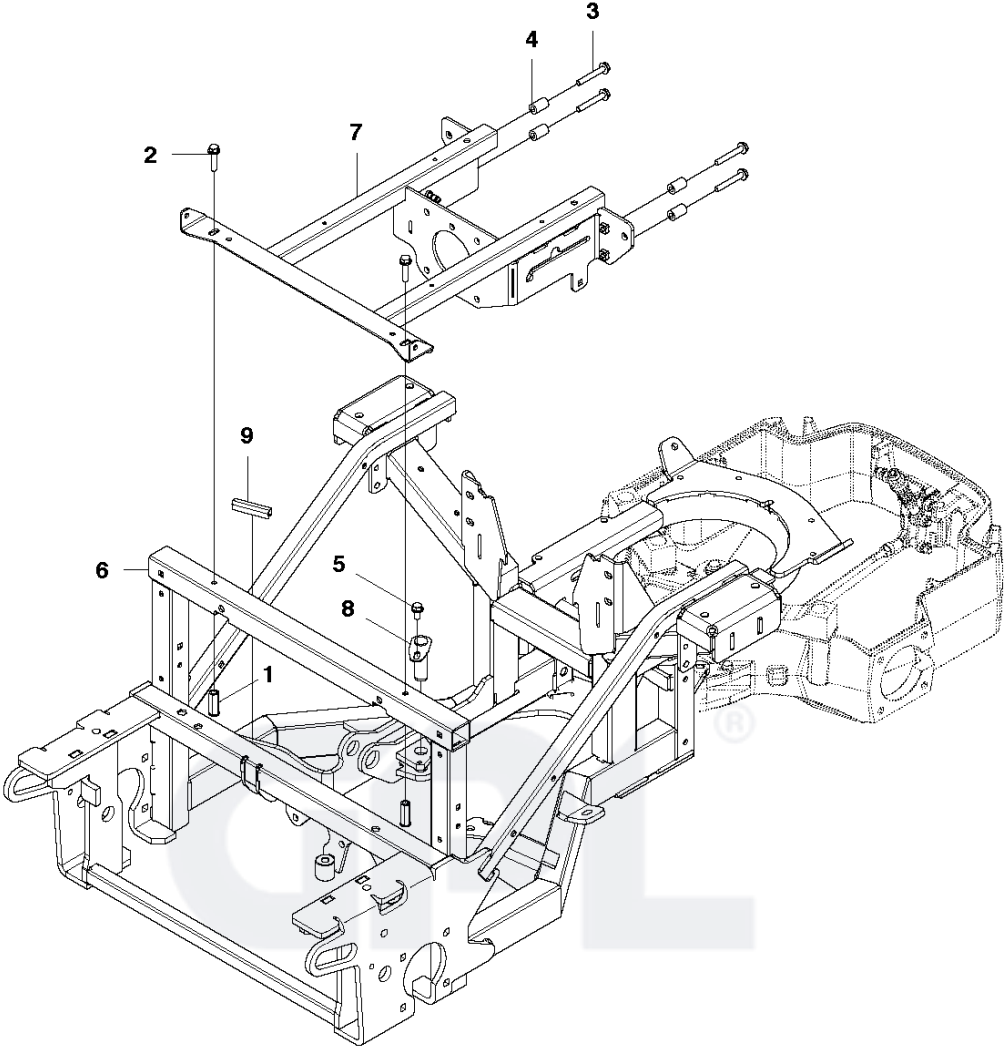
H1 P 520D
CHASSI



Ref	Part No	Description	Remark	QTY KIT
1	506 90 58-01	TUBE SLEEVE		4
2	576 64 57-06	NUT FLANGE		8
3	576 65 48-09	SCREW EHHFM		8
4	577 41 16-01	SCREW EHHM		2
5	577 41 19-01	NUT FLANGE		2
6	574 38 80-01	PIN		2
7	501 97 66-01	ANTIVIBRATION ELEMENT		4
8	731 23 18-01	HEXAGON NUT		2
9	576 12 38-01	ROPS		1
10	576 12 38-02	ROPS		1
11	576 12 28-01	ROPS		1
12	577 66 81-01	PLASTIC COVER		2
13	577 40 61-01	STIFFENING PLATE		1
14	721 68 02-51	SPRING COTTER		2

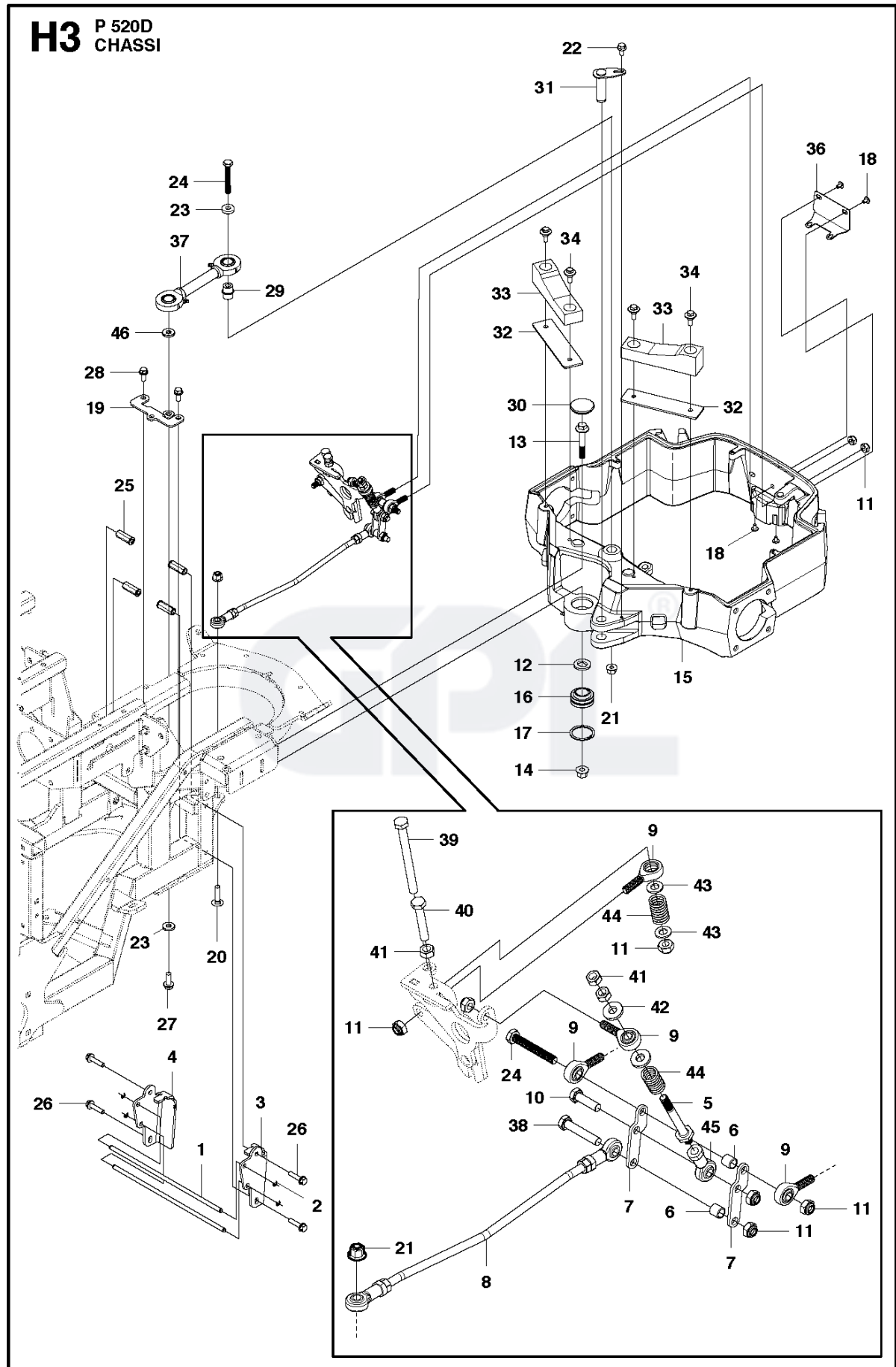


H2 P 520D
CHASSI



Ref	Part No	Description	Remark	QTY KIT
1	576 43 42-01	HEXAGON NUT		2
2	506 57 01-06	SCREW EHHFM		2
3	506 57 01-07	SCREW EHHFM		4
4	506 99 20-01	PIPE		4
5	506 57 01-03	SCREW EHHFM		2
6	576 00 74-01	FRAME		1
7	576 00 64-01	BRACKET ASSY		1
8	576 28 64-01	SHAFT ASSY		1
9	578 31 03-01	SEALING STRIP		1

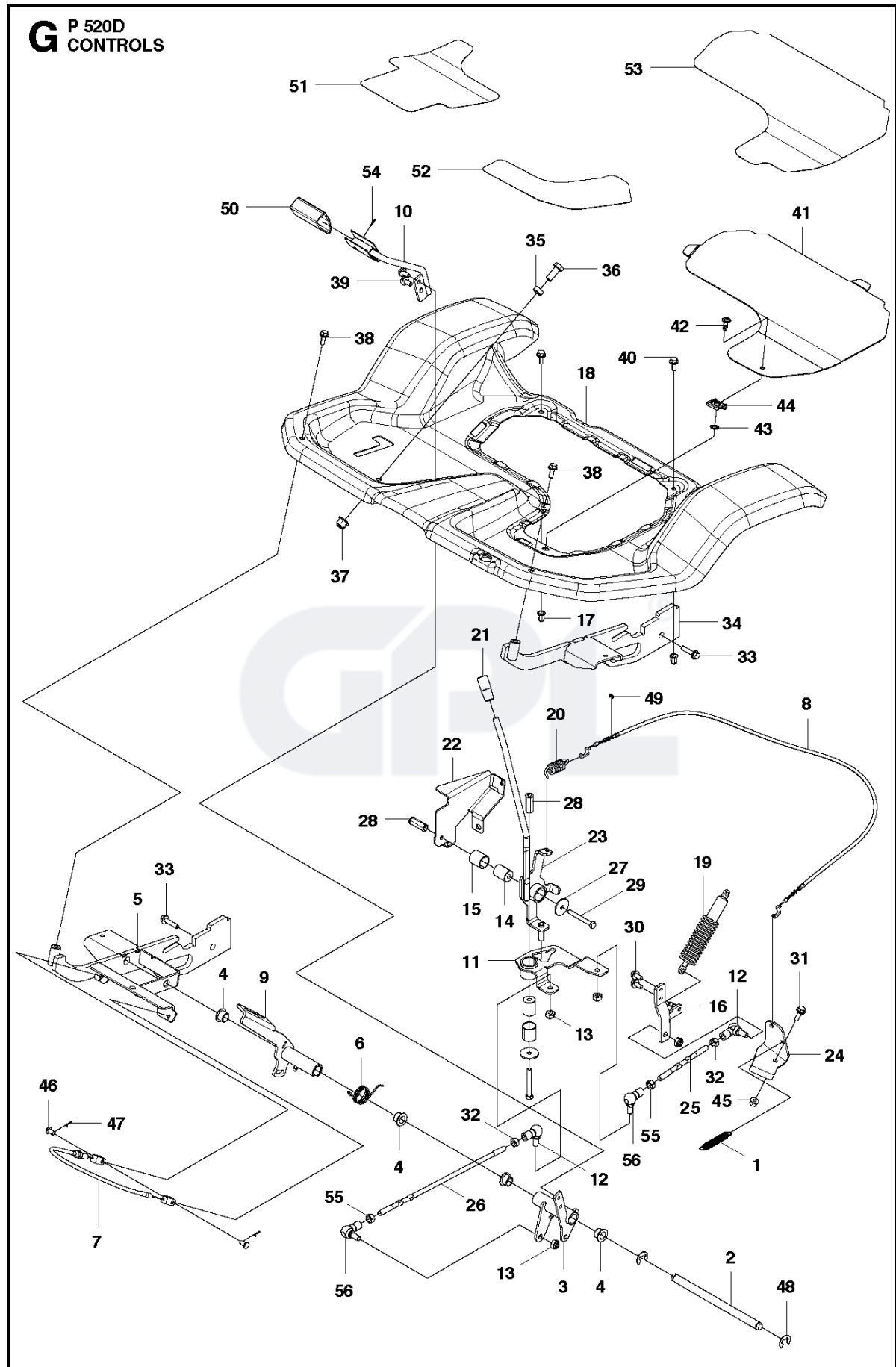




CHASSIS & ENCLOSURES

P520 D, 966607301, 2011

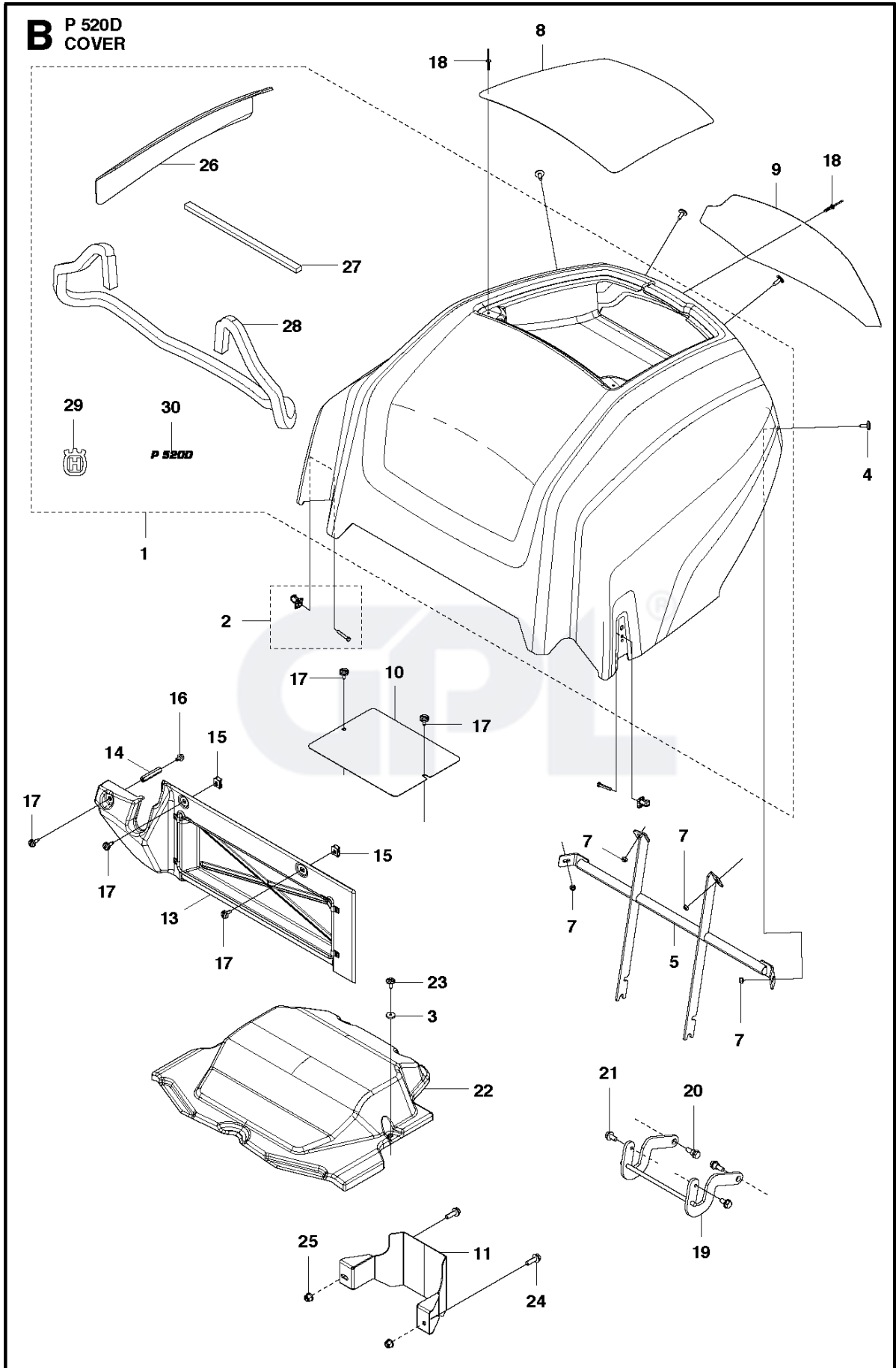
Ref	Part No	Description	Remark	QTY KIT
1	577 37 00-01	ROD		2
2	735 31 09-20	E-CLIP		4
3	576 01 69-01	CONTACT PLATE		1
4	576 01 69-02	CONTACT PLATE		1
5	577 39 08-01	CONTROL SHAFT		1
6	577 40 03-01	BUSHING		2
7	577 40 10-01	PLATE		2
8	577 38 86-01	PULL ROD		1
9	577 40 85-01	ROD END		4
10	725 24 97-51	SCREW		1
11	732 21 20-51	NUT		8
12	577 61 46-01	FIXING WASHER		1
13	576 65 48-07	SCREW EHHFM		1
14	732 25 22-01	HEXAGON LOCKING NUT		1
15	576 27 11-01	REAR AXLE ASSY		1
16	576 27 17-01	BEARING		1
17	576 46 80-01	LOCK RING		1
18	535 42 58-01	SCREW IHPANM		4
19	577 36 97-01	LOCKING PLATE		1
20	727 64 99-51	SCREW RSQM		1
21	576 64 57-05	NUT FLANGE		2
22	506 57 01-03	SCREW EHHFM		2
23	578 24 64-01	SLEEVE		1
24	577 37 67-01	SCREW EHHM		2
25	576 43 42-01	HEXAGON NUT		4
26	506 57 01-06	SCREW EHHFM		4
27	506 67 54-01	SCREW EHHFM		1
28	506 57 01-04	SCREW EHHFM		2
29	576 47 38-01	PIVOT		1
30	544 01 70-01	HUB CAP		1
31	576 28 64-01	SHAFT ASSY		1
32	576 47 42-01	PLATE		2
33	576 47 43-01	WEAR PLATE		2
34	544 36 24-01	SCREW		4
36	576 47 44-01	COVER PLATE		1
37	576 11 00-01	LINK RODS		1
38	725 25 02-71	SCREW EHHM		2
39	725 25 13-51	SCREW EHHM		1
40	725 25 02-51	SCREW EHHM		1
41	731 23 20-51	HEXAGON NUT		3
42	576 82 31-01	WASHER		2
43	734 11 72-01	WASHER		2
44	577 39 06-01	SPRING		2
45	506 95 17-01	ROD END		1
46	576 82 31-01	WASHER		1



CONTROLS

P520 D, 966607301, 2011

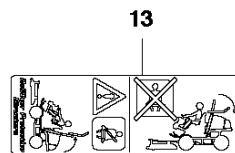
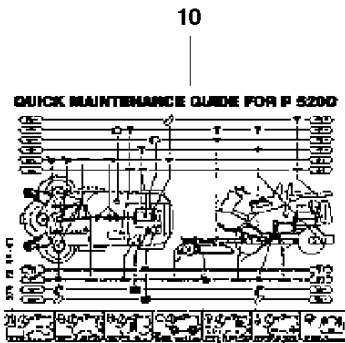
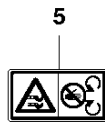
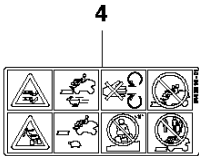
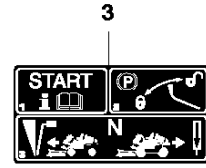
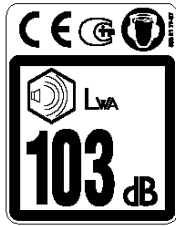
Ref	Part No	Description	Remark	QTY KIT
1	544 13 36-01	DRAW SPRING		1
2	576 34 89-01	SHAFT		1
3	576 34 82-01	PEDAL		1
4	506 55 43-01	BEARING		4
5	576 35 23-01	STAY		1
6	576 47 51-01	SPRING		1
7	576 35 22-01	WIRE ASSY		1
8	576 35 17-01	WIRE ASSY		1
9	576 34 87-01	PEDAL		1
10	576 29 15-01	PEDAL ARM		1
11	576 35 10-01	CONTROL LEVER		1
12	506 78 99-01	VINKELLÄNK DIN 71802	Left	2
13	576 64 57-05	NUT FLANGE		4
14	576 35 15-01	SLEEVE		2
15	506 98 61-01	GLIDLAGER		2
16	576 35 12-01	CONTROL LEVER		1
17	506 91 62-01	BLIND RIVET NUT		2
18	577 82 52-01	SHEET		1
19	506 93 83-01	DAMPING PIECE		1
20	506 94 63-01	BRAKE SPRING		1
21	521 90 35-01	KNOB		1
22	576 34 92-01	BRACKET		1
23	576 29 06-01	BRAKE LEVER		1
24	576 37 57-01	BRACKET		1
25	576 29 14-01	PUSH ROD		1
26	576 29 14-02	PUSH ROD		1
27	576 35 16-01	WASHER		2
28	576 43 42-01	HEXAGON NUT		2
29	725 24 64-51	SCREW EHHM		2
30	506 57 01-03	SCREW EHHFM		4
31	506 57 01-05	SCREW EHHFM		1
32	506 89 76-01	NUT	Left	2
33	506 57 01-06	SCREW EHHFM		2
34	576 55 99-01	STAY		1
35	576 99 87-01	SLEEVE		1
36	725 25 36-71	SCREW EHHM		1
37	576 64 57-06	NUT FLANGE		1
38	506 57 01-06	SCREW EHHFM		2
39	506 57 01-03	SCREW EHHFM		4
40	506 57 01-04	SCREW EHHFM		5
41	575 88 18-01	LID		1
42	575 88 19-01	STUD		1
43	575 88 20-01	RETAINER		1
44	575 88 21-01	RECEPTACLE		1
45	576 64 57-04	NUT FLANGE		1
46	721 83 99-01	CLEVIS PIN		2
47	721 61 52-01	SPLIT PIN		2
48	735 31 18-20	E-CLIP		2
49	735 31 09-20	E-CLIP		2
50	506 50 62-01	PEDAL RUBBER		1
51	577 03 06-01	GRIP		1
52	577 03 05-01	GRIP		1
53	577 03 04-01	GRIP		1
54	721 43 09-70	SPRING PIN		1
55	731 23 20-51	HEXAGON NUT		2
56	506 78 99-02	VINKELLÄNK DIN 71802		2



Ref	Part No	Description	Remark	QTY	KIT
1	575 75 00-01	ENGINE HOOD		1	
2	577 22 97-01	KEEPER		2	
3	506 55 97-01	WASHER		4	
4	535 42 58-02	SCREW IHPANM		4	
5	576 23 75-01	HINGE		1	
7	576 64 57-03	NUT FLANGE		4	
8	576 25 06-01	GRID		1	
9	576 25 07-01	GRID		1	
10	576 77 59-01	SHEET		1	
11	577 05 10-01	COVER		1	
13	576 28 95-01	COVER KIT		1	
14	576 68 61-03	HEXAGON NUT		1	
15	535 42 91-01	SPRING NUT		2	
16	725 23 64-61	SCREW EHHFT		2	
17	574 85 62-02	SCREW		5	
18	577 01 39-01	RIVET		13	
19	576 46 45-01	HINGE		1	
20	576 64 57-04	NUT FLANGE		2	
21	506 57 01-03	SCREW EHHFM		2	
22	576 47 37-01	COVER		1	
23	574 85 62-02	SCREW		4	
24	506 57 01-05	SCREW EHHFM		2	
25	576 64 57-04	NUT FLANGE		2	
26	577 38 99-01	HEAT SHIELD		1	1
27	576 99 04-04	GASKET		1	1
28	576 99 04-03	GASKET		1	1
29	574 38 21-01	DECAL		1	1
30	577 22 18-01	DECAL		2	1



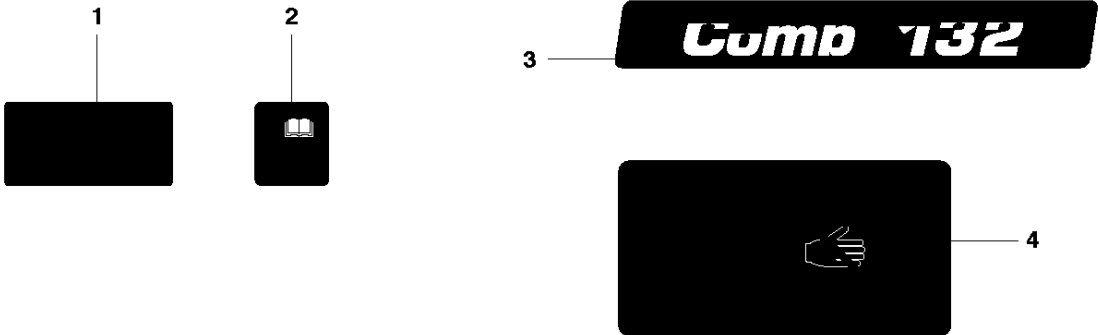
N P 520D
DECALS



Ref	Part No	Description	Remark	QTY KIT
1	505 21 77-07	LABEL		1
2	506 58 45-01	LABEL		1
3	522 44 63-01	LABEL		1
4	544 39 16-01	LABEL WARNING		1
5	574 51 00-01	DECAL		1
6	576 97 65-01	DECAL		1
7	577 06 20-01	DECAL		1
8	577 22 18-01	DECAL		2
9	574 38 21-01	DECAL		1
10	576 72 11-01	DECAL		1
11	576 97 60-01	DECAL		1
12	505 51 66-01	LABEL		1
13	521 93 90-01	LABEL		1

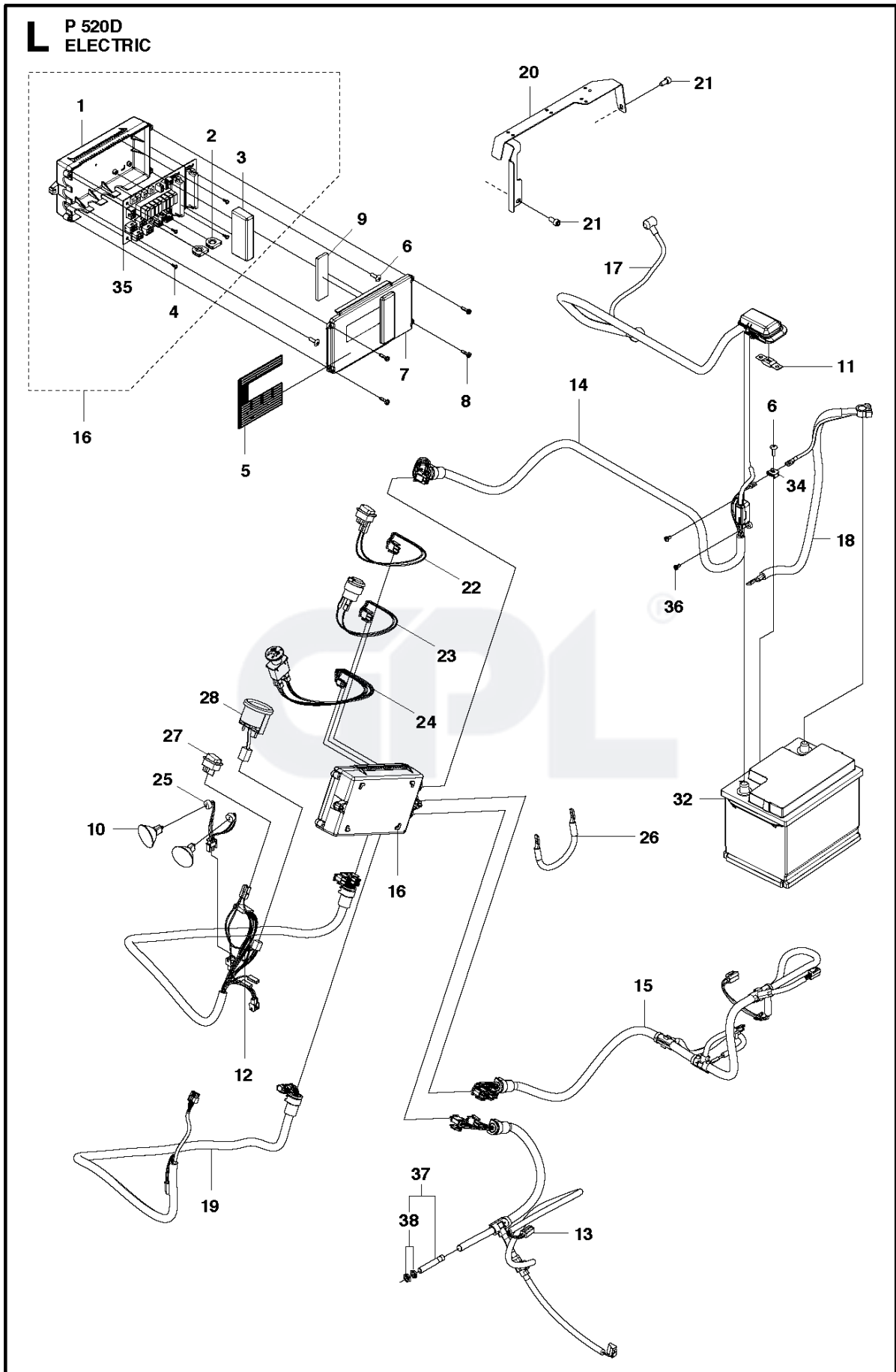


S P 520D
DECALS, COMBI 132

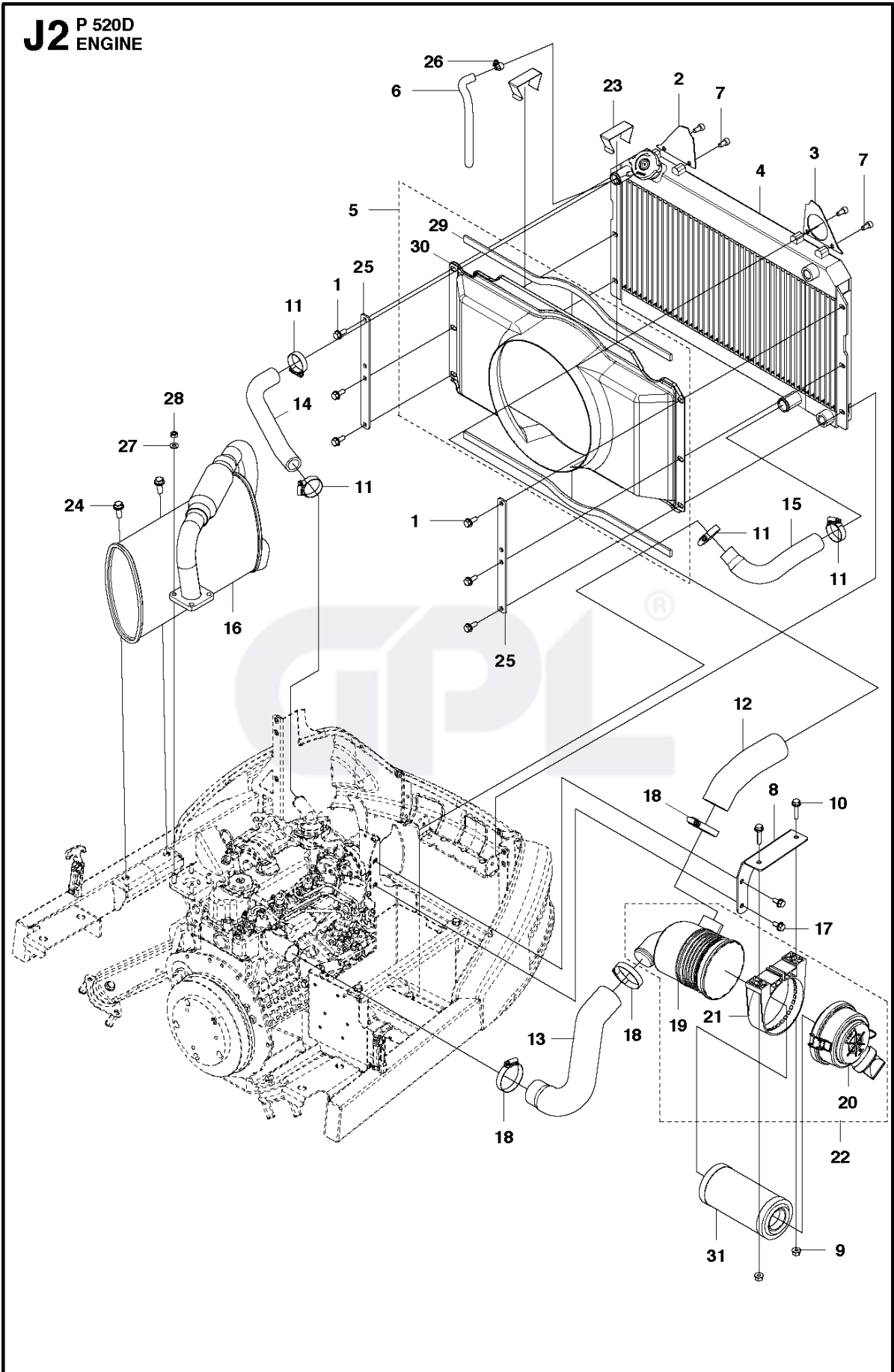


Ref	Part No	Description	Remark	QTY KIT
1	544 39 17-01	LABEL	DEKAL, BELT DIAGRAM	1
2	506 92 90-01	LABEL	DEKAL, CE	1
3	544 24 56-01	LABEL	DEKAL, COMBI 132	1
4	574 51 00-01	DECAL	DEKAL, WARNING	2





Ref	Part No	Description	Remark	QTY	KIT
1	576 28 57-01	ELECTRIC BOX		1	
2	544 38 15-01	BUSHING		2	
3	576 97 57-01	START MODULE		1	
4	535 13 03-10	SCREW ITXPANT		4	
5	576 97 64-01	DECAL		5	
6	574 85 62-02	SCREW		3	
7	576 28 58-01	LID		1	
8	577 90 34-01	SCREW CRPANT		4	
9	577 57 42-01	RUBBER		1	
10	502 46 66-01	LAMP		2	
11	544 36 96-01	FUSE		1	
12	576 46 88-01	WIRING		1	
13	576 46 91-01	WIRING		1	
14	576 46 87-01	WIRING		1	
15	576 46 90-01	WIRING		1	
16	577 00 18-01	ELECTRIC BOX		1	
17	576 47 20-01	WIRING		1	
18	577 43 20-01	WIRING		1	
19	576 46 89-01	WIRING		1	
20	576 57 32-01	WIRE HOLDER		1	
21	725 54 49-01	SCREW IHSCM		2	
22	576 46 84-01	SWITCH		1	
23	576 46 83-01	WIRING		1	
24	576 46 86-01	SWITCH		1	
25	576 46 85-01	WIRING		1	
26	544 32 37-01	GROUND CABLE		1	
27	502 65 57-01	SWITCH		1	
28	576 95 53-01	GAUGE		1	
32	576 95 82-01	BATTERY		1	
34	535 42 91-01	SPRING NUT		1	
35	576 97 50-01	CONTROL BOARD		1	
36	544 29 13-02	SCREW ITXPANM		2	
37	522 61 25-01	SENSOR		1	
38	522 61 76-01	NUT		1	37

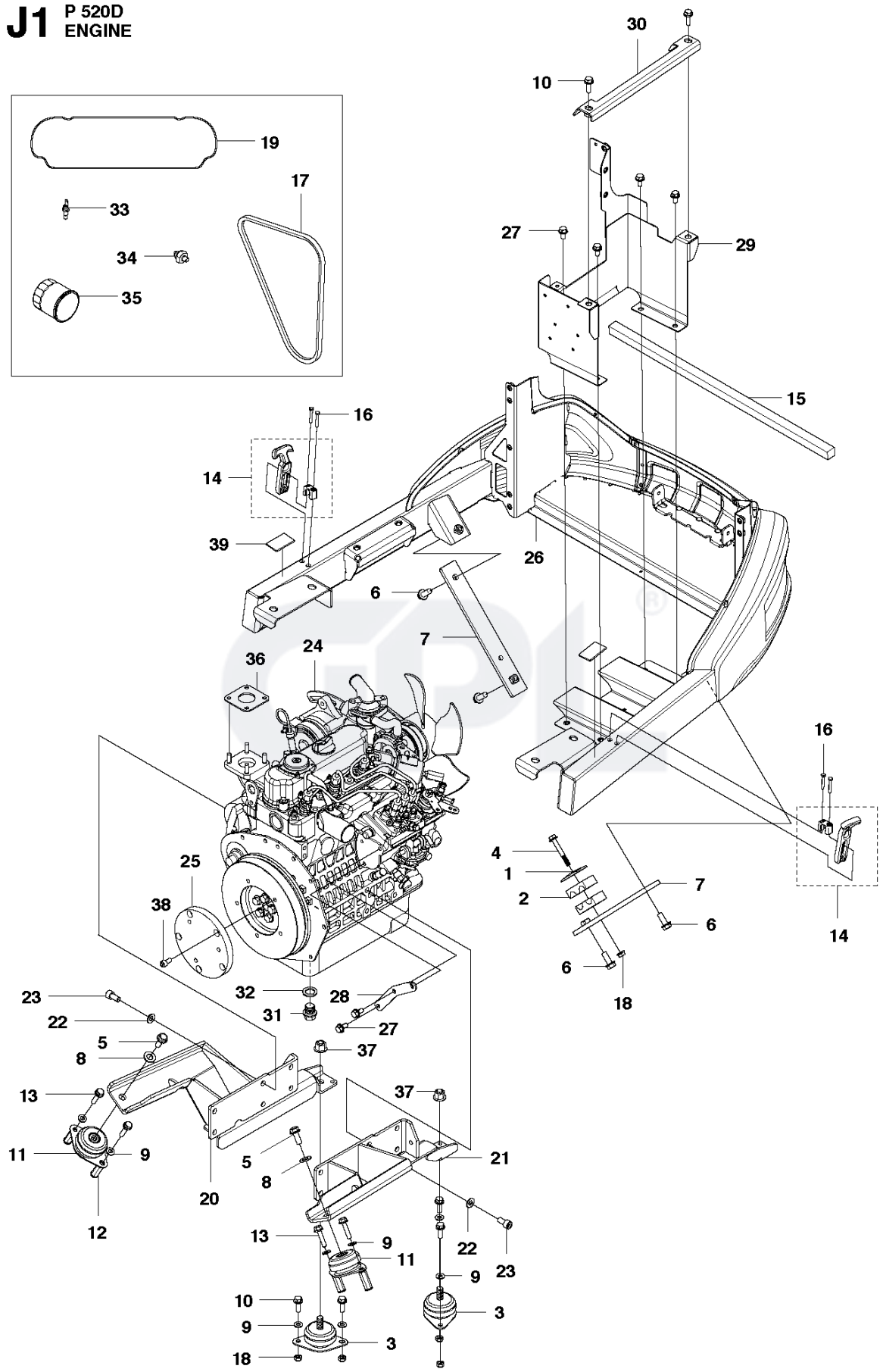
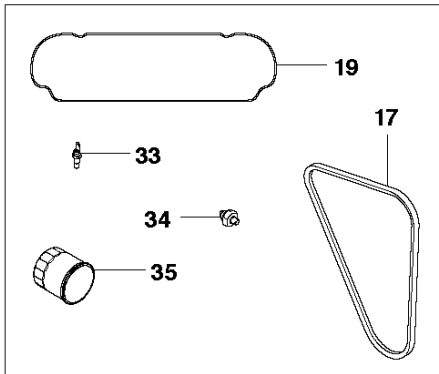


ENGINE

P520 D, 966607301, 2011

Ref	Part No	Description	Remark	QTY	KIT
1	506 57 01-04	SCREW EHHFM		6	
2	577 09 33-01	WALL		1	
3	577 09 34-01	WALL		1	
4	575 97 01-01	COOLER		1	
5	575 97 06-01	SHROUD		1	
6	544 28 25-06	FUEL HOSE		1	
7	725 54 49-01	SCREW IHSCM		4	
8	576 67 78-01	BRACKET		1	
9	576 64 57-04	NUT FLANGE		2	
10	506 57 01-06	SCREW EHHFM		2	
11	544 20 27-02	HOSE CLAMP		4	
12	575 97 02-01	HOSE		1	
13	575 97 03-01	HOSE		1	
14	575 97 04-01	HOSE		1	
15	575 97 05-01	HOSE		1	
16	575 96 21-01	MUFFLER		1	
17	506 57 01-03	SCREW EHHFM		2	
18	544 20 27-03	HOSE CLAMP		3	
19	576 37 95-01	AIR FILTER		1	22
20	581 51 59-01	AIR FILTER		1	22
21	522 59 84-01	BRACKET		1	22
22	576 37 96-01	AIR CLEANER		1	
23	577 40 76-01	CLAMP		2	
24	506 67 54-01	SCREW EHHFM		2	
25	577 80 78-01	PLATE		2	
26	544 28 26-01	HOSE CLAMP		1	
27	734 11 64-01	WASHER		4	
28	731 23 18-01	HEXAGON NUT		4	
29	576 99 04-01	GASKET		2	5
30	576 28 14-01	SHROUD		1	5
31	544 28 30-01	AIR FILTER		1	

J1 P 520D
ENGINE

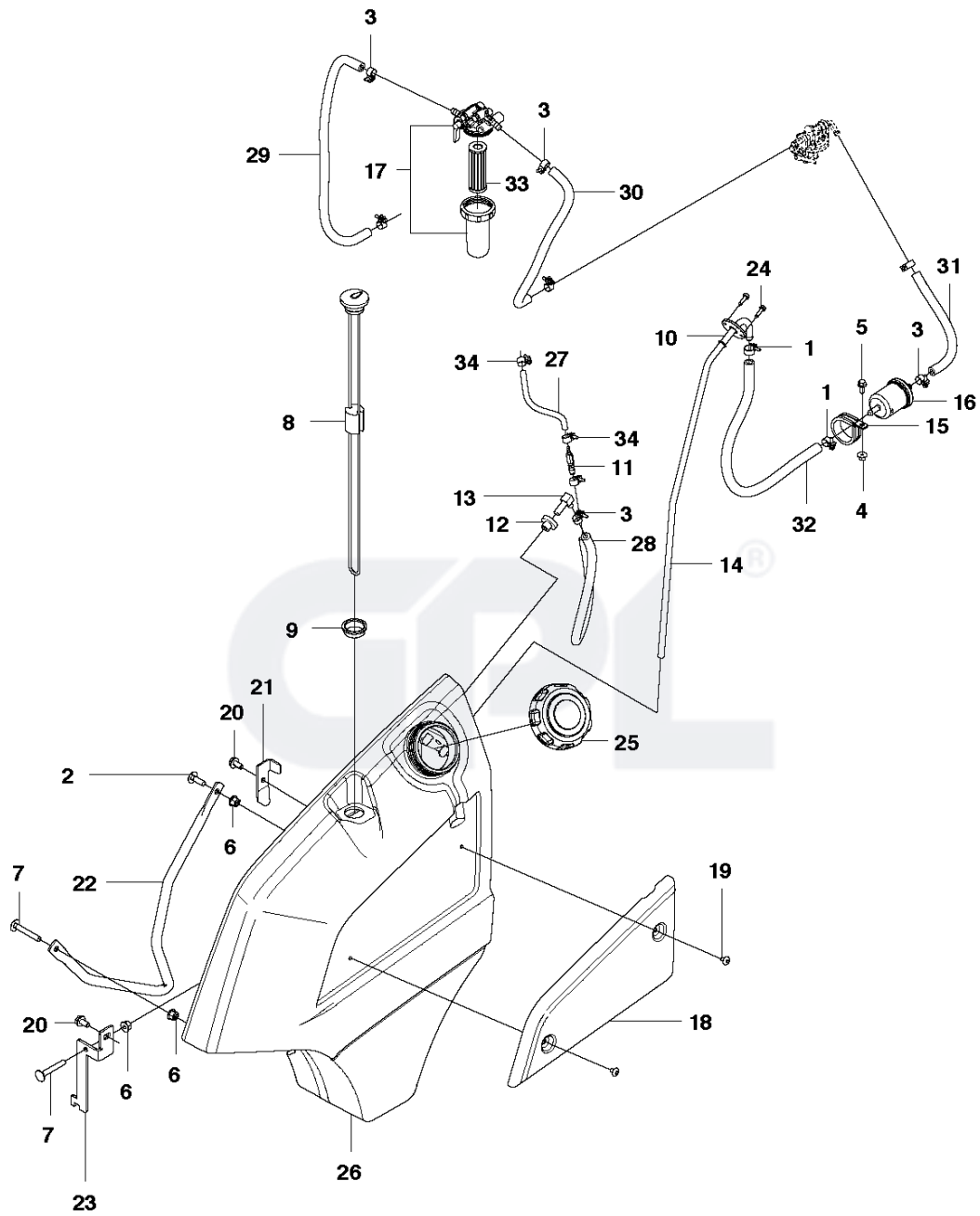


ENGINE

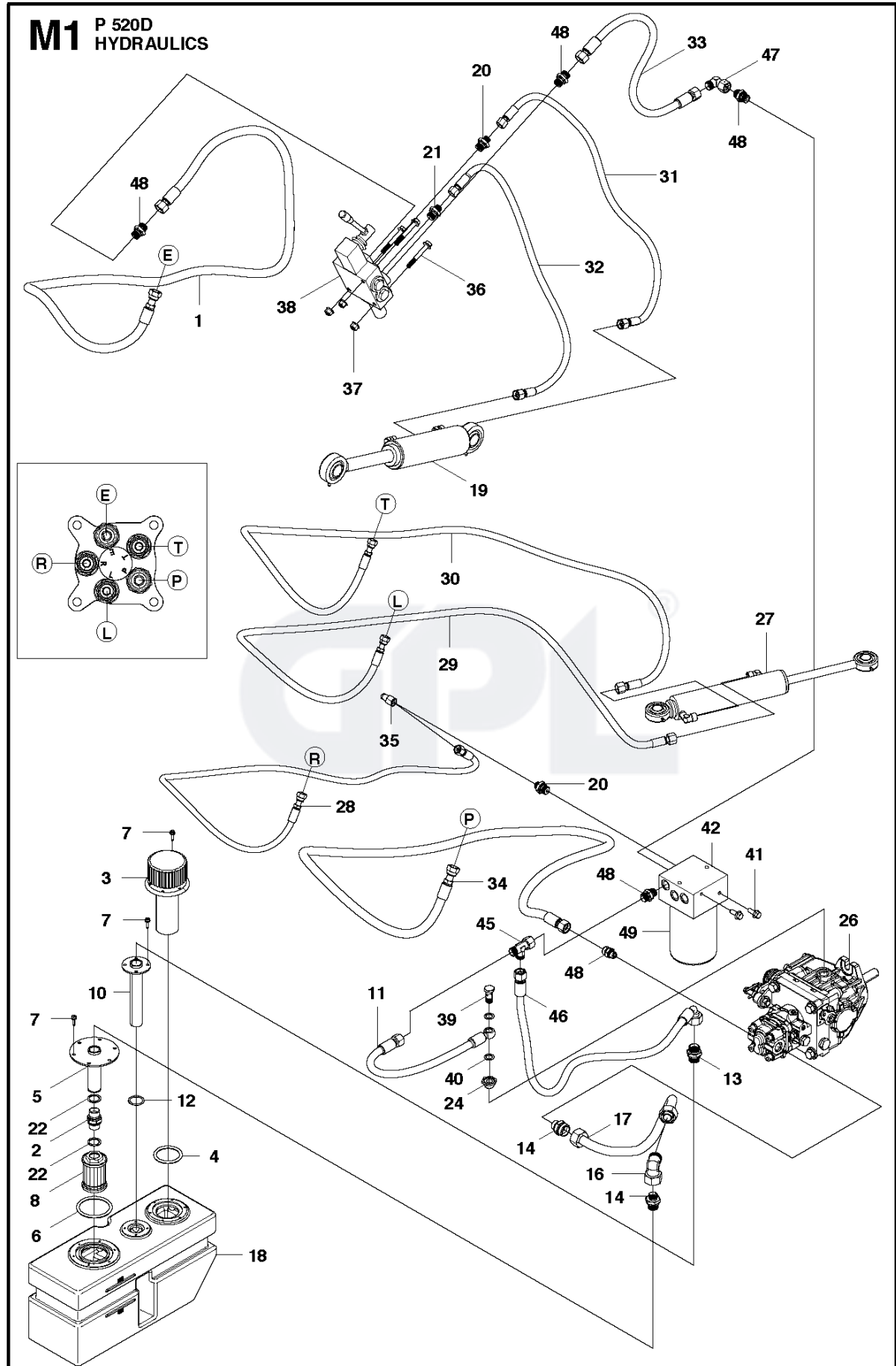
P520 D, 966607301, 2011

Ref	Part No	Description	Remark	QTY KIT
1	544 37 38-01	COVER PLATE		1
2	544 37 33-01	PIPE CLAMP		1
3	578 18 36-01	ANTIVIBRATION ELEMENT		2
4	506 57 01-08	SCREW EHHFM		1
5	725 25 36-71	SCREW EHHM		2
6	506 67 54-01	SCREW EHHFM		4
7	576 39 22-01	STAY		2
8	734 11 78-01	WASHER		2
9	734 11 64-01	WASHER		8
10	725 54 53-01	SCREW IHSCM		4
11	576 43 32-01	ANTIVIBRATION ELEMENT		2
12	576 43 42-01	HEXAGON NUT		4
13	725 54 59-01	SCREW IHSCM		4
14	576 43 33-01	LATCH		2
15	576 99 04-04	GASKET		1
16	725 53 33-65	SCREW IHSCM		4
17	578 00 99-01	BELT		1
18	576 64 57-04	NUT FLANGE		5
19	578 00 97-01	GASKET		1
20	575 97 12-01	BRACKET		1
21	575 97 12-02	BRACKET		1
22	734 11 72-01	WASHER		12
23	576 42 67-01	SCREW IHSCM		12
24	576 95 24-01	ENGINE		1
25	575 97 09-01	PLATE		1
26	575 74 99-01	ENGINE FRAME		1
27	506 57 01-03	SCREW EHHFM		6
28	576 65 94-01	BRACKET		1
29	576 67 76-01	BRACKET		1
30	576 68 38-01	BRACKET		1
31	578 00 95-01	PLUG		1
32	578 00 96-01	GASKET		1
33	578 01 02-01	SENSOR		1
34	578 01 03-01	SWITCH		1
35	578 00 98-01	OIL FILTER		1
36	576 97 25-01	GASKET		1
37	576 64 57-06	NUT FLANGE		2
38	725 54 49-01	SCREW IHSCM		5
39	577 92 18-01	MAT		2

C P 520D
FUEL SYSTEM



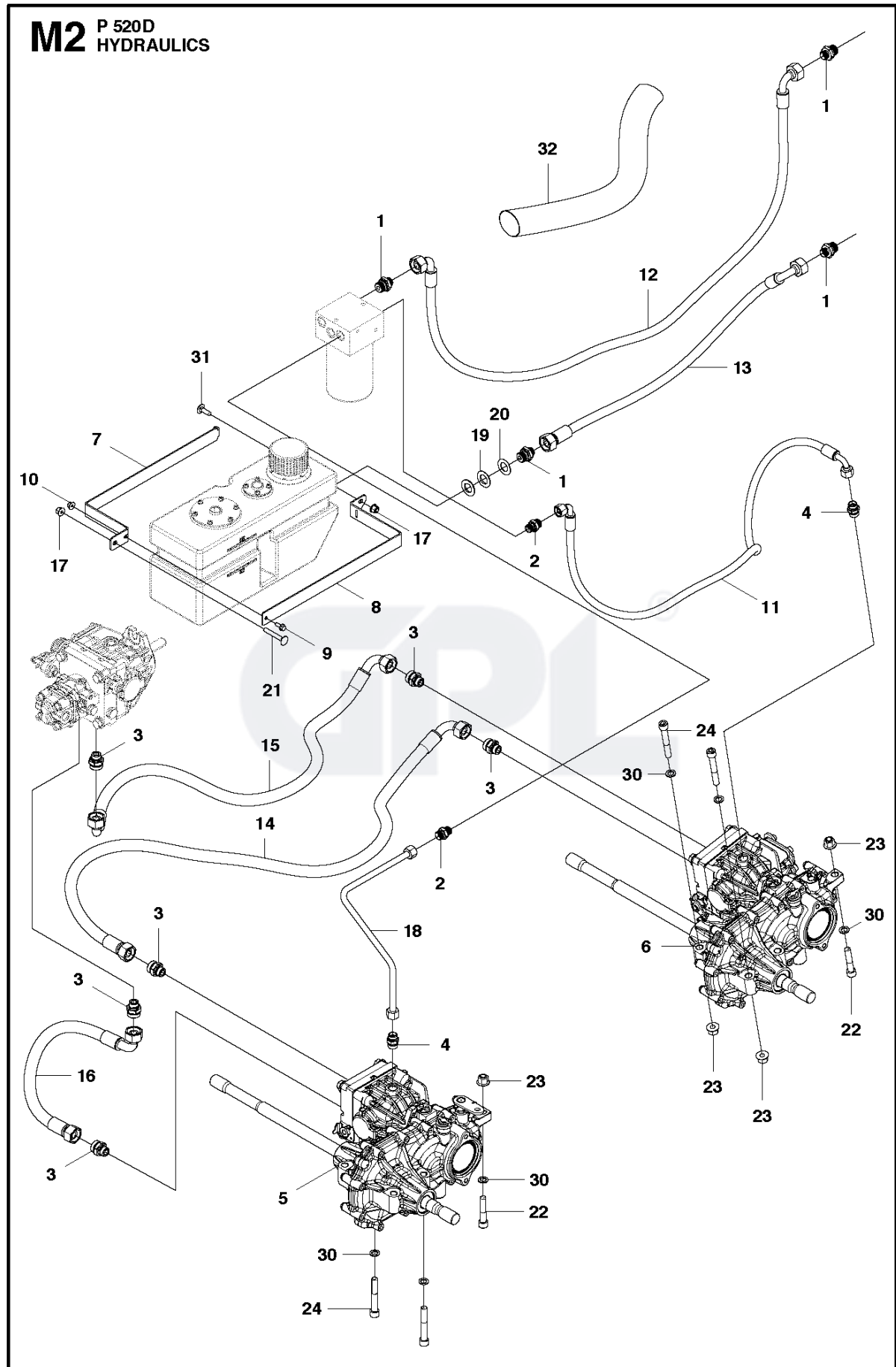
Ref	Part No	Description	Remark	QTY KIT
1	544 28 26-03	HOSE CLAMP		2
2	535 42 38-01	SCREW RSQM		1
3	544 28 26-01	HOSE CLAMP		8
4	576 64 57-03	NUT FLANGE		1
5	725 23 68-61	SCREW EHHFT		1
6	576 64 57-04	NUT FLANGE		2
7	535 42 38-02	SCREW RSQM		2
8	575 96 14-01	GAUGE		1
9	576 48 36-01	GROMMET		1
10	576 48 12-01	CONNECTOR		1
11	544 36 92-01	CONNECTION		1
12	539 10 52-45	GROMMET		1
13	539 10 52-44	JOINT		1
14	576 48 12-01	CONNECTOR		1
15	574 53 12-01	HOSE CLAMP		1
16	576 95 55-01	PREFILTER		1
17	576 95 57-01	FUEL FILTER		1
18	576 14 28-01	COVER		1
19	535 42 58-01	SCREW IHPANM		2
20	506 57 01-03	SCREW EHHFM		2
21	576 12 02-01	BRACKET		1
22	576 14 29-01	TUBE		1
23	576 05 59-01	BRACKET		1
24	535 41 56-19	SCREW		2
25	539 10 63-30	TANK CAP		1
26	575 71 87-01	FUEL TANK		1
27	544 28 25-06	FUEL HOSE		1
28	544 28 25-05	FUEL HOSE		1
29	544 28 25-04	FUEL HOSE		1
30	544 28 25-03	FUEL HOSE		1
31	544 28 25-02	FUEL HOSE		1
32	544 28 25-01	FUEL HOSE		1
33	578 01 01-01	FILTER		1
34	544 28 26-02	HOSE CLAMP		2



HYDRAULICS

P520 D, 966607301, 2011

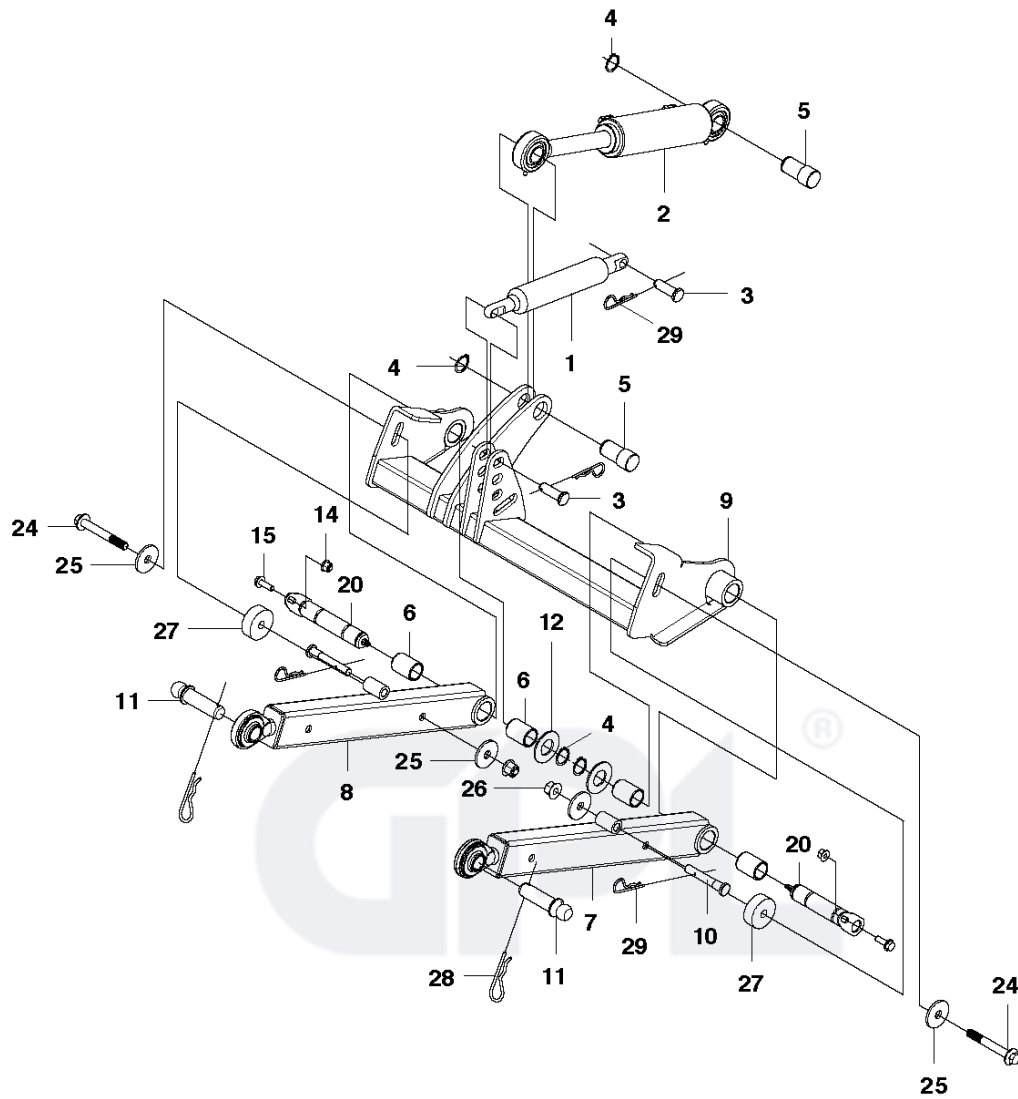
Ref	Part No	Description	Remark	QTY KIT
1	575 87 54-01	HYDRAULIC HOSE		1
2	544 00 97-01	PIPE FITTING		1
3	544 17 64-01	TANK CAP		1
4	544 04 65-03	O-RING		1
5	575 87 08-01	PIPE		1
6	544 04 65-05	O-RING		1
7	535 41 56-19	SCREW		16
8	544 00 19-01	FILTER		1
10	575 87 09-01	PIPE		1
11	575 87 47-01	HYDRAULIC HOSE		1
12	544 04 65-06	O-RING		1
13	575 88 13-03	CONNECTOR		1
14	575 88 13-01	CONNECTOR		2
16	575 88 15-02	CONNECTOR		1
17	575 87 61-01	HYDRAULIC PIPE		1
18	576 95 96-01	HYDRAULIC TANK ASSY		1
19	576 49 52-01	HYDRAULIC CYLINDER		1
20	575 88 13-02	CONNECTOR		2
21	576 44 40-01	PIPE FITTING		1
22	544 01 00-01	GASKET		2
24	575 88 65-01	PIPE FITTING		1
26	575 88 69-01	HYDRAULIC PUMP		1
27	575 87 62-01	HYDRAULIC CYLINDER		1
28	575 87 50-01	HYDRAULIC HOSE		1
29	575 87 53-01	HYDRAULIC HOSE		1
30	575 87 52-01	HYDRAULIC HOSE		1
31	575 87 56-01	HYDRAULIC HOSE		1
32	575 87 55-01	HYDRAULIC HOSE		1
33	575 87 58-01	HYDRAULIC HOSE		1
34	575 87 51-01	HYDRAULIC HOSE		1
35	575 88 15-01	CONNECTOR		1
36	506 57 01-08	SCREW EHHFM		3
37	576 64 57-04	NUT FLANGE		3
38	575 88 66-01	VALVE		1
39	575 88 64-01	BOLT		1
40	544 01 00-04	GASKET		2
41	506 57 01-04	SCREW EHHFM		2
42	576 03 65-01	FILTER UNIT ASSY		1
45	576 65 49-01	PIPE FITTING		1
46	576 63 21-01	HYDRAULIC HOSE		1
47	575 88 15-03	CONDUCTOR		1
48	575 88 13-04	CONNECTOR		5
49	575 88 68-01	FILTER		1



Ref	Part No	Description	Remark	QTY KIT
1	575 88 13-01	CONNECTOR		4
2	575 88 13-04	CONNECTOR		2
3	575 88 14-01	CONNECTOR		6
4	575 88 14-02	CONNECTOR		2
5	575 88 71-01	TRANSMISSION		1
6	575 88 70-01	TRANSMISSION		1
7	575 87 13-01	BRACKET		1
8	575 87 12-01	BRACKET		1
9	725 23 68-61	SCREW EHHFT		1
10	576 64 57-03	NUT FLANGE		1
11	575 87 46-01	HYDRAULIC HOSE		1
12	575 87 48-01	HYDRAULIC HOSE		1
13	575 87 49-01	HYDRAULIC HOSE		1
14	575 87 44-01	HYDRAULIC HOSE		1
15	575 87 45-01	HYDRAULIC HOSE		1
16	575 87 57-01	HYDRAULIC HOSE		1
17	576 64 57-04	NUT FLANGE		2
18	575 87 59-01	HYDRAULIC PIPE		1
19	522 47 13-01	WASHER		2
20	506 77 57-01	WASHER		1
21	535 42 38-02	SCREW RSQM		1
22	544 25 63-02	SCREW IHSCM		2
23	576 64 57-06	NUT FLANGE		4
24	544 25 63-03	SCREW IHSCM		4
30	734 11 77-71	WASHER		6
31	535 42 38-01	SCREW RSQM		1
32	505 45 38-02	HOSE GUARD		1



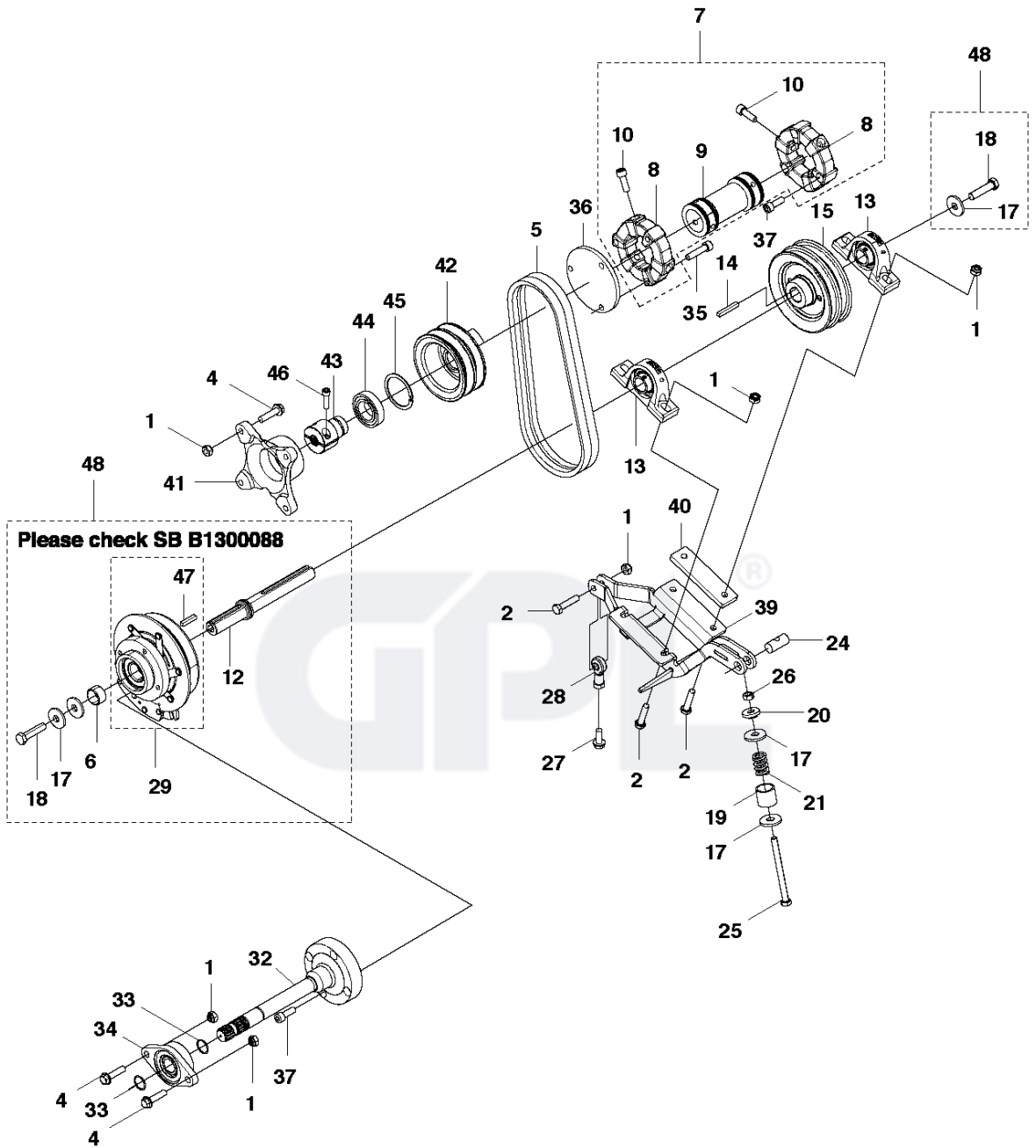
E P 520D
LIFTING SYSTEM



Ref	Part No	Description	Remark	QTY KIT
1	576 05 01-01	GAS SPRING		1
2	576 49 52-01	HYDRAULIC CYLINDER		1
3	721 85 70-01	CLEVIS PIN		2
4	574 45 88-01	CIRCLIP		4
5	576 30 85-01	COTTER		2
6	576 63 04-01	BUSHING		2
7	575 83 96-01	LIFTING ARM		1
8	575 83 96-02	LIFTING ARM		1
9	575 81 44-01	BEAM		1
10	504 88 76-01	COTTER		2
11	544 21 42-01	BOLT		2
12	506 94 58-01	WASHER		2
14	576 64 57-04	NUT FLANGE		2
15	506 57 01-05	SCREW EHHFM		2
20	576 59 79-02	SHAFT ASSY		2
24	576 65 48-09	SCREW EHHFM		2
25	544 25 32-01	WASHER		4
26	576 64 57-06	NUT FLANGE		2
27	576 62 56-01	WASHER		2
28	506 96 66-01	HAIR PIN COTTER		2
29	721 68 02-51	SPRING COTTER		4



K P 520D
POWER TAKE OFF



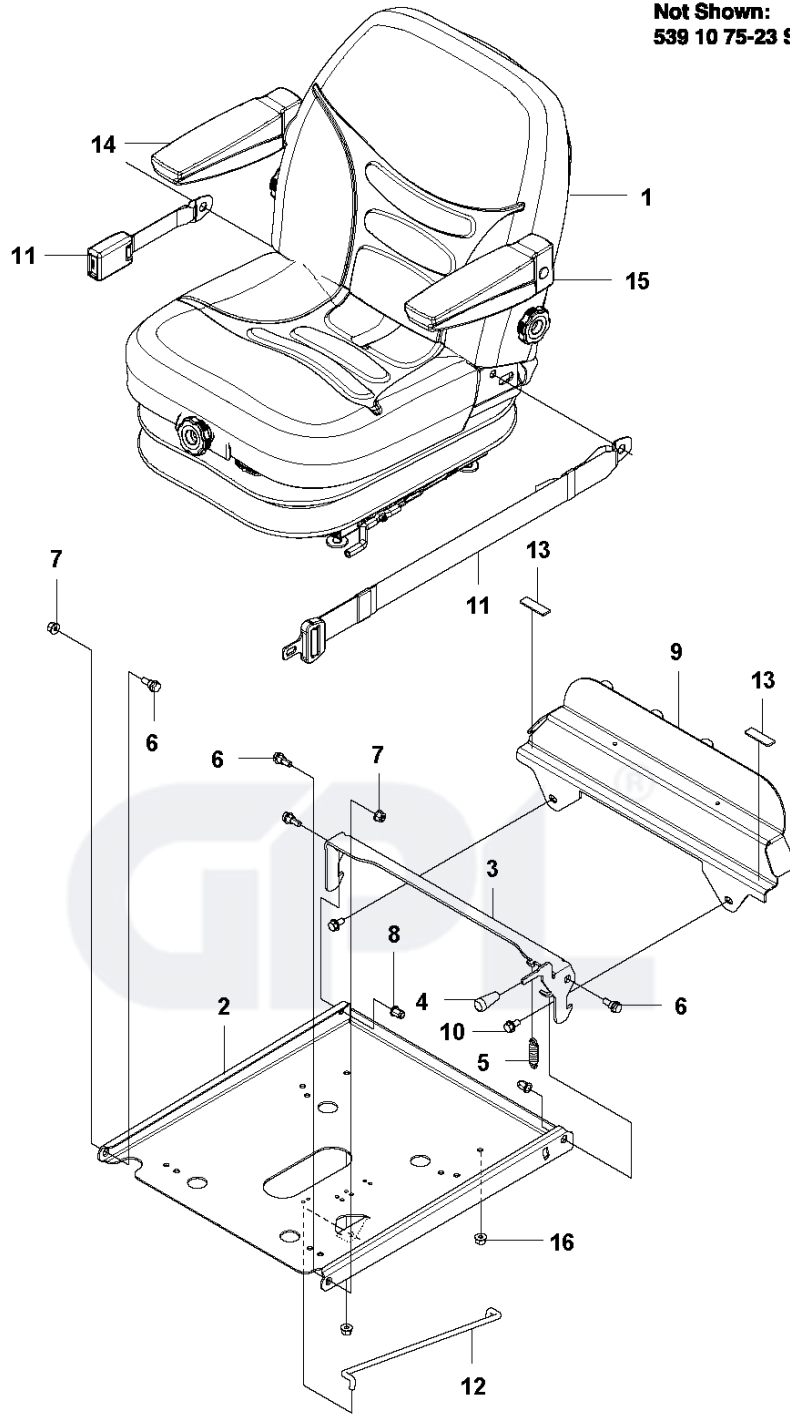
POWER TAKE OFF

P520 D, 966607301, 2011

Ref	Part No	Description	Remark	QTY	KIT
1	576 64 57-05	NUT FLANGE		11	
2	502 23 36-02	SCREW IHSCM		3	
4	506 67 54-02	SCREW EHHFM		4	
5	506 00 75-01	BELT		1	
6	579 65 77-01	SLEEVE		1	47
7	515 98 32-02	CLUTCH ASSY		1	
8	515 98 34-01	RUBBER RING		2	7
9	515 98 33-02	SHAFT		1	7
10	725 54 95-01	SCREW IHSCM		6	7
12	579 29 62-01	SHAFT		1	47
13	506 04 36-01	BEARING UNIT		2	
14	504 81 35-01	WEDGE		1	
15	506 00 96-01	PULLEY		1	
17	535 42 92-01	WASHER		3	
18	725 25 42-86	SCREW EHHM		1	47
19	522 94 69-01	SLEEVE		1	
20	576 47 35-01	WASHER		1	
21	510 17 07-01	SPRING		1	
24	510 16 76-01	PIN		1	
25	725 25 15-71	SCREW EHHM		1	
26	731 23 20-51	HEXAGON NUT		1	
27	506 67 54-01	SCREW EHHFM		1	
28	506 95 17-01	ROD END		1	
29	586 34 94-01	CLUTCH		1	
32	576 18 87-01	SHAFT ASSY		1	
33	576 47 36-01	CLIP		2	
34	544 19 10-01	BEARING UNIT		1	
35	502 23 36-02	SCREW IHSCM		3	
36	515 98 35-01	SPACER		1	
37	502 23 36-01	SCREW IHSCM		7	
39	576 18 60-01	BEARING CAGE		1	
40	510 14 60-01	DISTANCE		1	
41	506 04 32-01	BEARING BOX		1	
42	505 02 04-01	PULLEY		1	
43	506 04 34-01	SHAFT		1	
44	522 66 44-01	BALL BEARING		1	
45	522 66 43-01	CIRCLIP		1	
46	725 54 55-01	SCREW IHSCM		2	
47	580 28 45-01	PARALLEL KEY		1	29
48	586 34 93-01	CLUTCH		1	

A P 520D
SEAT

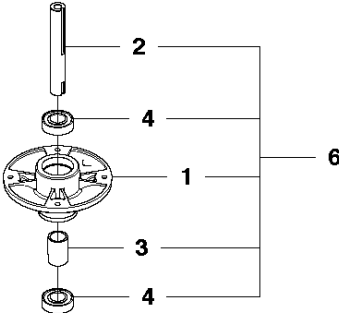
Not Shown:
539 10 75-23 Seat Switch



Ref	Part No	Description	Remark	QTY KIT
1	577 20 05-01	SEAT ASSY		1
2	575 88 33-01	SHEET		1
3	575 88 34-01	LATCH		1
4	535 43 82-01	KNOB		1
5	544 21 81-03	DRAW SPRING		1
6	506 59 74-01	COLLAR SCREW		4
7	576 64 57-04	NUT FLANGE		2
8	506 91 62-01	BLIND RIVET NUT		2
9	576 54 30-01	BRACKET ASSY		1
10	506 57 01-03	SCREW EHHFM		2
11	544 91 43-01	SAFETY BELT		1
12	575 88 35-01	STAY		1
13	577 92 18-02	MAT		2
14	579 55 35-02	SEAT		1
15	579 55 35-01	SEAT		1
16	539 11 28-99	NUT, 5/16-18, NYLOC		1



R P 520D
SPINDLES, COMBI 132



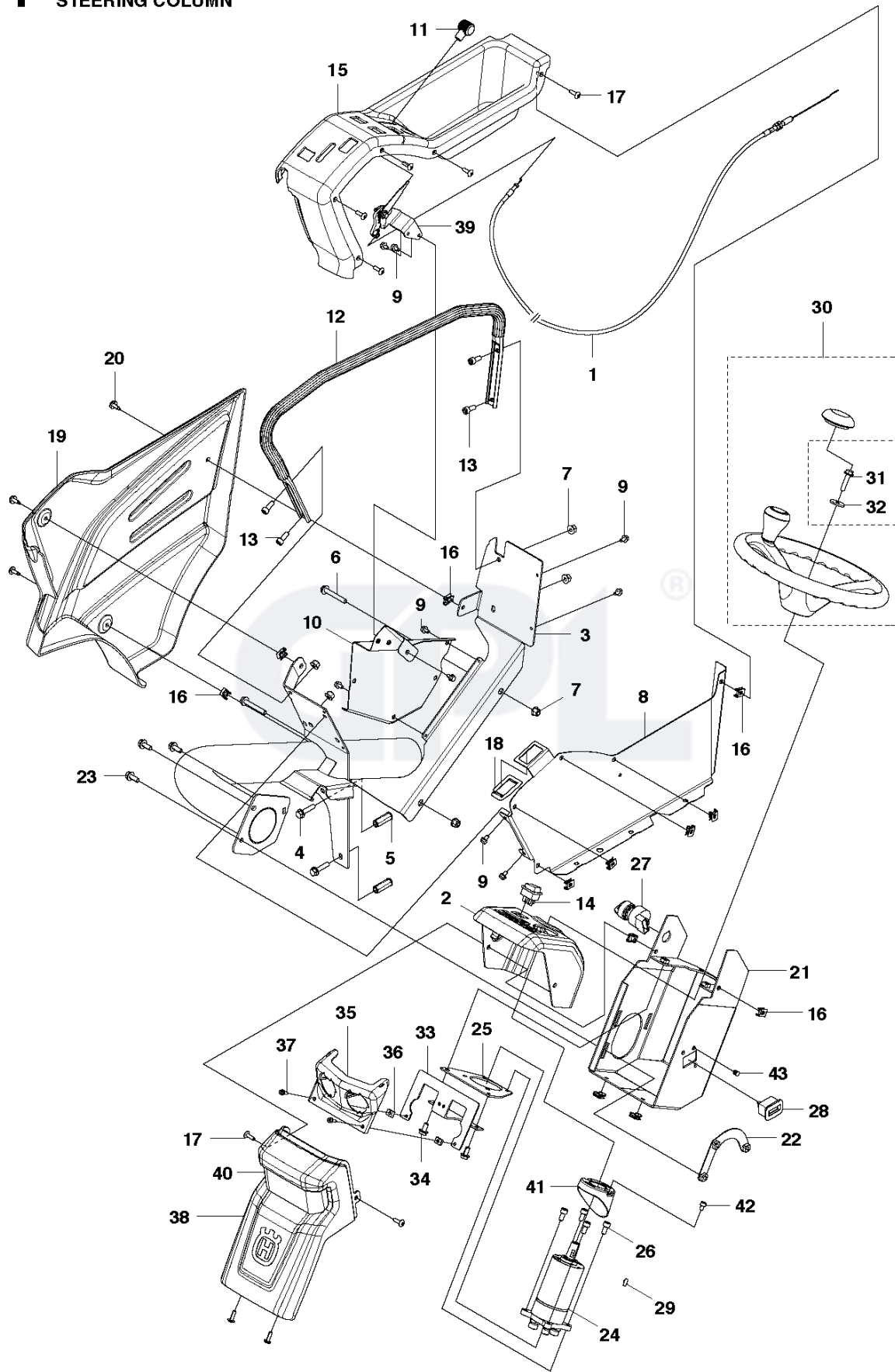
SPINDLES

P520 D, 966607301, 2011

Ref	Part No	Description	Remark	QTY	KIT
1	535 42 89-01	BEARING HOUSING	LAGERHUS	1	6
2	535 42 87-02	SHAFT	AXEL	1	6
3	535 42 88-01	SPACER	DISTANS	1	6
4	738 22 05-19	BALL BEARING	KULLAGER 6205 2RS1	2	6
6	535 42 86-02	BLADE HOUSING ASSY	KNIVLAGRING KPL, OUTER	3	



F P 520D
STEERING COLUMN



STEERING

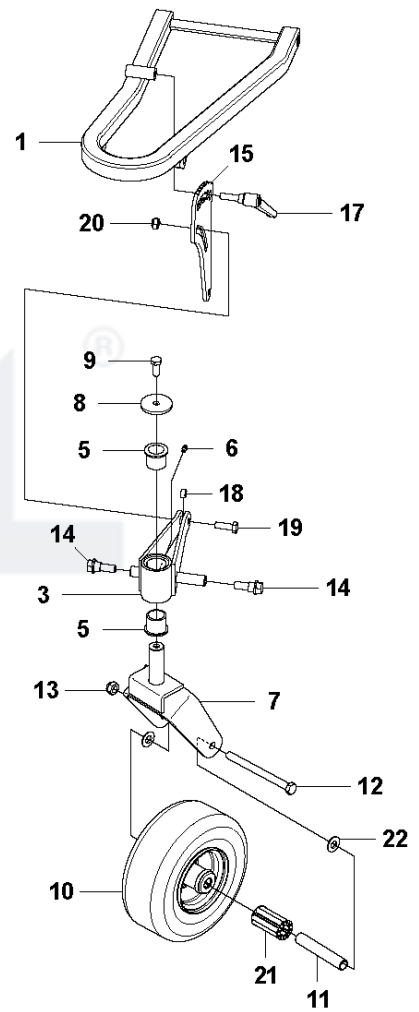
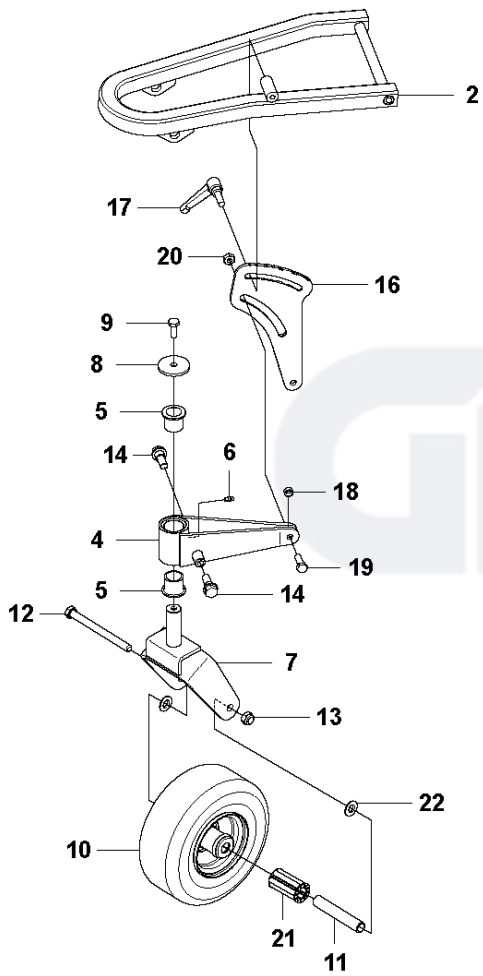
P520 D, 966607301, 2011

Ref	Part No	Description	Remark	QTY KIT
1	576 65 65-01	WIRE		1
2	577 21 86-01	COVER		1
3	575 88 22-01	CONSOLE		1
4	506 57 01-06	SCREW EHHFM		2
5	576 43 42-01	HEXAGON NUT		2
6	506 57 01-07	SCREW EHHFM		2
7	576 64 57-04	NUT FLANGE		6
8	575 88 28-01	PANEL		1
9	725 23 64-61	SCREW EHHFT		9
10	576 25 62-01	BRACKET		1
11	506 88 91-01	KNOB		1
12	575 88 29-01	HANDLE		1
13	725 54 51-01	SCREW IHSCM		8
14	502 65 57-01	SWITCH		1
15	577 48 80-01	PANEL		1
16	535 42 91-01	SPRING NUT		14
17	574 85 62-02	SCREW		7
18	544 40 43-01	LOCK WASHER		1
19	575 88 36-01	COVER		1
20	574 85 62-02	SCREW		5
21	576 54 51-01	BRACKET		1
22	576 44 43-01	SHEET		1
23	506 57 01-04	SCREW EHHFM		3
24	506 06 81-01	POWER STEERING		1
25	576 54 50-01	BRACKET		1
26	725 54 49-01	SCREW IHSCM		4
27	535 47 49-01	KEY SWITCH		1
28	577 09 27-01	HOURLY METER		1
29	735 88 12-00	WOODRUFF KEY		1
30	544 29 14-01	STEERING WHEEL		1
31	506 57 01-06	SCREW EHHFM		1
32	544 22 16-01	WASHER		1
33	576 02 17-01	BRACKET		1
34	506 57 01-04	SCREW EHHFM		2
35	535 46 42-01	LAMP BODY ASSY		1
36	506 89 20-01	SPEED NUT		2
37	535 41 56-19	SCREW		2
38	576 39 23-01	COVER		1
39	576 80 68-01	THROTTLE CONTROL		1
40	576 23 11-01	COVER		1
41	578 79 08-01	COVER		1
42	725 53 64-01	SCREW IHSCM		2
43	580 27 29-01	INSERT		3

Q P 520D
SUPPORT WHEELS, COMBI 132

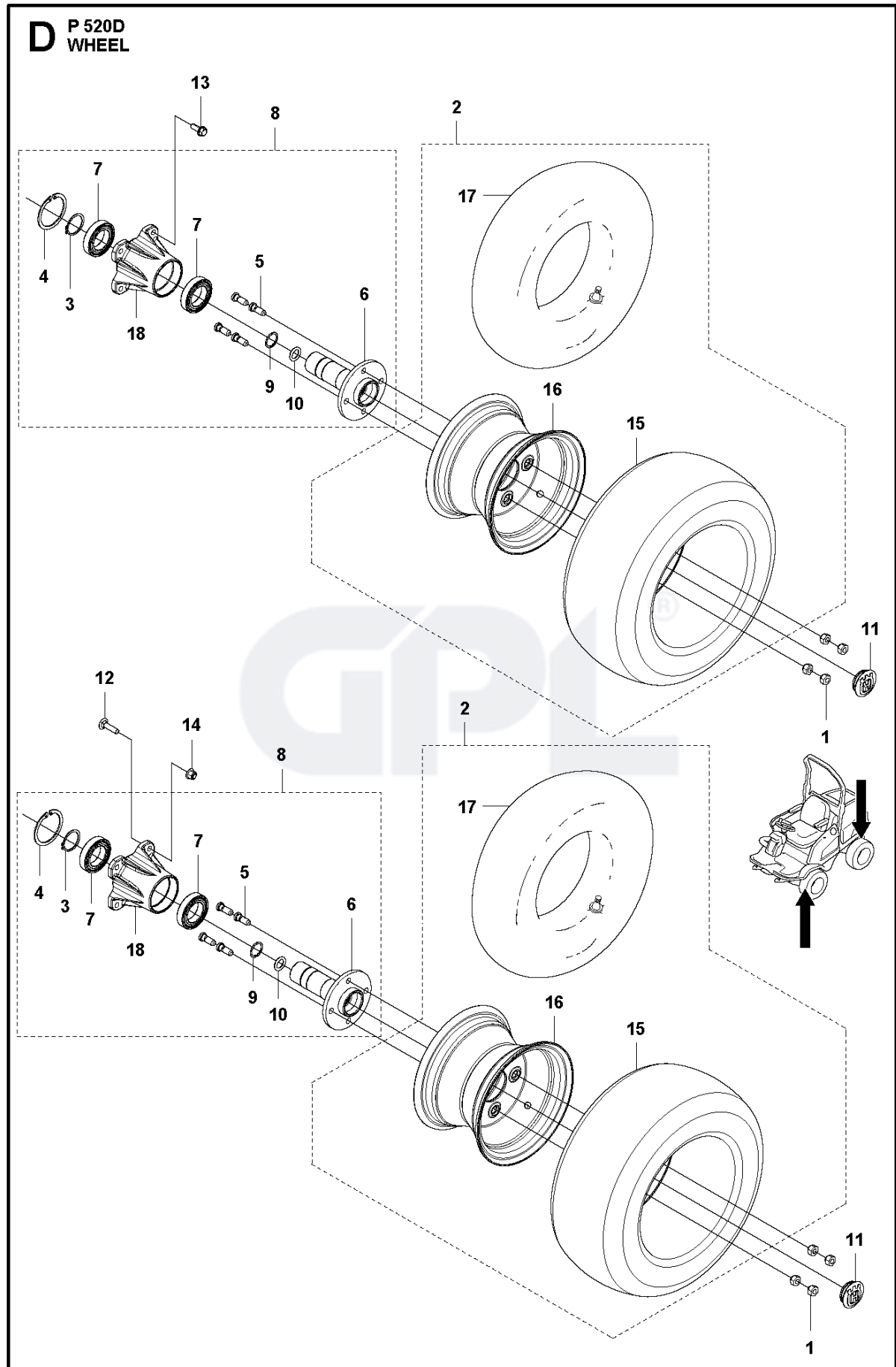
56

55



Ref	Part No	Description	Remark	QTY	KIT
1	544 17 35-01	SUPPORTING ARM	BÄRARM,LEFT	1	55
2	544 17 35-02	SUPPORTING ARM	BÄRARM,RIGHT	1	56
3	544 17 33-01	PIVOT WHEEL SUPPORT	PIVOTHJULSFÄSTE,LEFT	1	55
4	544 17 33-02	PIVOT WHEEL SUPPORT	PIVOTHJULSFÄSTE,RIG HT	1	56
5	544 17 41-02	BEARING BUSHING	LAGERBUSSNING,FLAN GER	2	55, 56
6	738 88 10-01	LUBRICATION NIPPLE	SMÖRJNIPPEL,AH M6 FZ	1	55, 56
7	544 17 34-01	FORK	GAFFEL,PIVOT WHEEL	1	55, 56
8	506 98 25-01	WASHER	BRICKA	1	55, 56
9	506 67 54-01	SCREW EHHFM	FLÄNSSKRUV	1	55, 56
10	539 10 45-56	TIRE & WHEEL ASSEMBLY	TIRE & WHEEL ASSEMBL	1	55, 56
11	539 10 18-72	SPACER	SPACER	1	55, 56
12	725 25 59-51	SCREW EHHM	SKRUV EHHM,12X140 FZ	1	55, 56
13	732 21 22-01	NUT	MUTTER LOC-KING 12	1	55, 56
14	506 89 58-01	COLLAR SCREW	ANSATSSKRUV	2	55, 56
15	544 17 50-01	SHEET	PLÅT,HEIGHT ADJUSTER	1	55
16	544 17 50-02	SHEET	PLÅT,HEIGHT ADJUSTER	1	56
17	544 19 18-01	TURNING KNOB	VRED,M 10	1	55, 56
18	544 20 02-01	SLEEVE	HYLSA,PIVOT WHEEL SU	1	55, 56
19	725 24 95-71	SCREW EHHM	SKRUV M6S M10X30 FZ	1	55, 56
20	732 21 20-51	NUT	MUTTER M10-LOCK	1	55, 56
21	539 97 73-53	ROLLER BEARING	NÅLLAGER	1	55, 56
22	539 97 73-56	ENDCAP, NOTCHED		1	
55	544 17 32-01	WHEEL SUSPENSION	HJULUPPHÄNGNING,LEF T	1	
56	544 17 32-02	WHEEL SUSPENSION	HJULUPPHÄNGNING,RIG HT	1	





Ref	Part No	Description	Remark	QTY	KIT
1	506 86 50-01	WHEEL NUT		16	
2	576 95 91-01	WHEEL ASSY		4	
3	576 12 77-01	LOCK RING		4	8
4	576 12 76-01	LOCK RING		4	8
5	506 89 02-01	BOLT		16	8
6	575 88 76-01	SHAFT		4	8
7	738 21 09-04	BALL BEARING		4	8
8	575 88 73-01	HUB		4	
9	735 31 31-10	CIRCLIP		4	8
10	576 12 78-01	O-RING		4	8
11	506 86 48-01	PROTECTIVE COVER		4	
12	727 64 99-51	SCREW RSQM		8	
13	506 67 54-01	SCREW EHHFM		8	
14	576 64 57-05	NUT FLANGE		8	
15	577 58 91-01	TYRE		4	2
16	577 58 95-01	RIM		4	2
17	578 24 63-01	TIRE		4	2
18	575 88 75-01	BEARING HOUSING		4	8

