

RIDER 15V2, 953 53 37-05, 2004-02

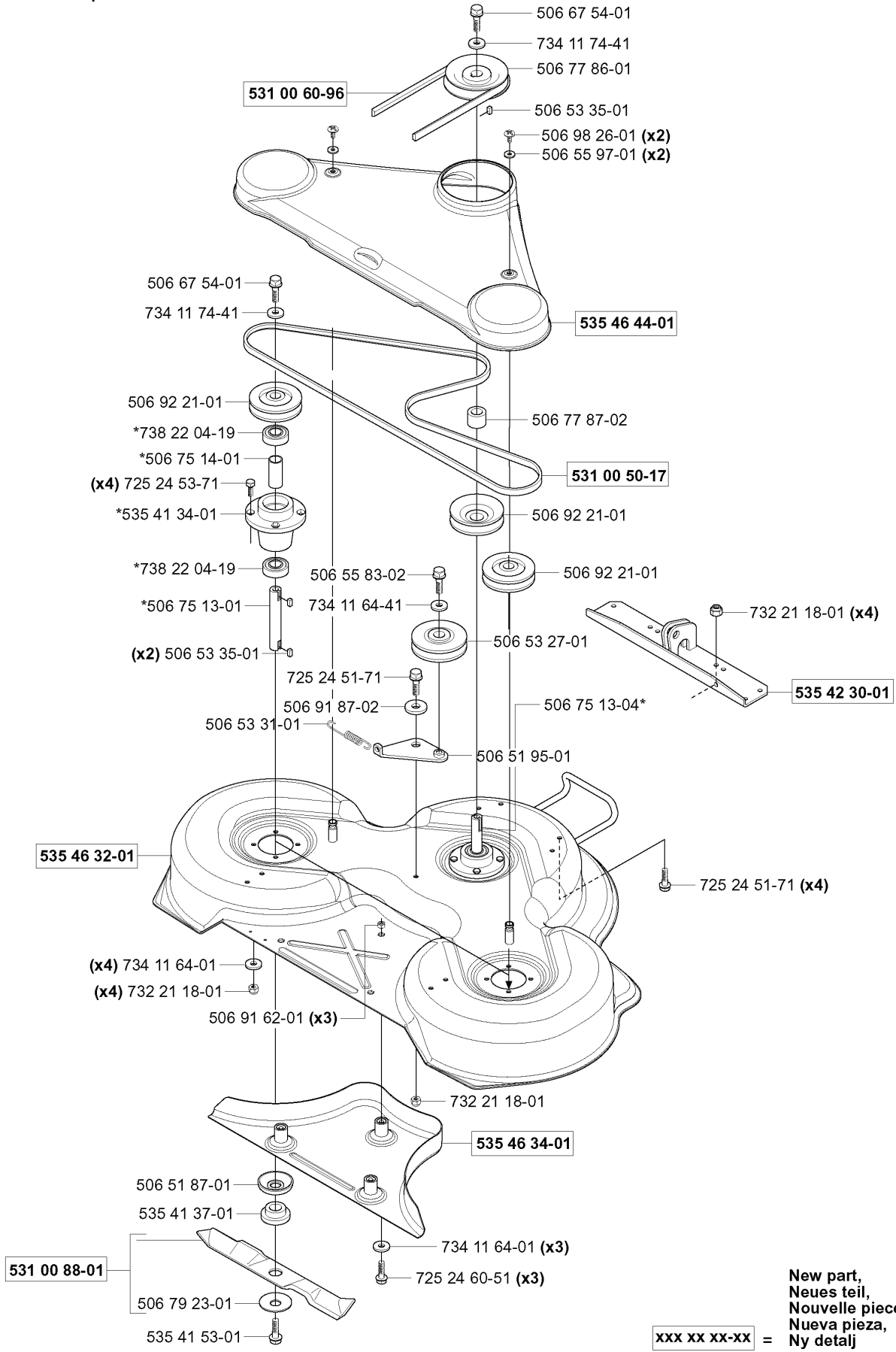
SPARE PARTS LIST

V

Combi 103 compl 953 52 47-01

*compl 506 75 11-01 Yttre. Outer. Exterior. Äusser. Ulko.

*compl 506 75 11-04 Mitten. Centre. Centre. Zentrum. Keski.



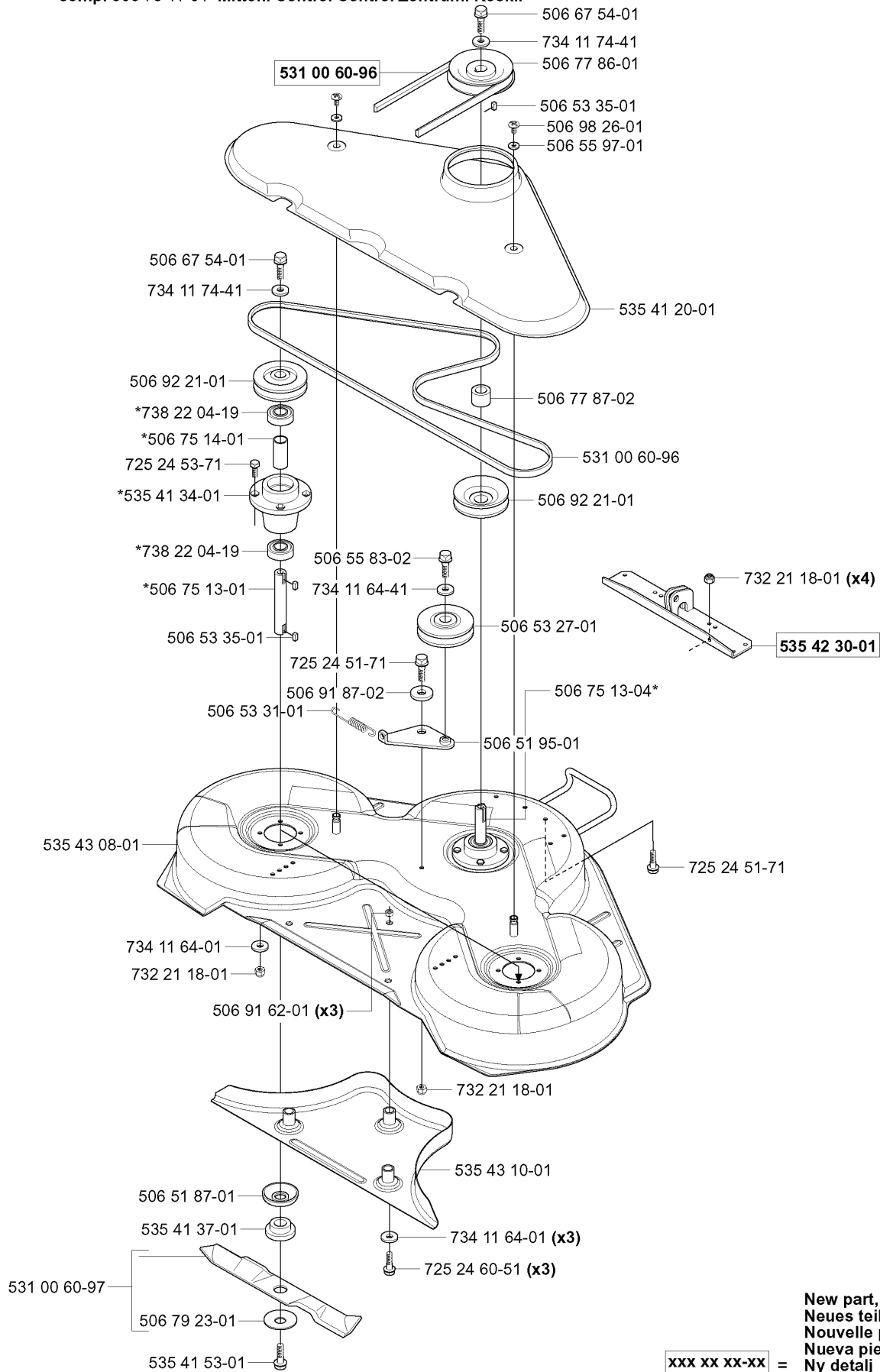
New part,
Neues teil,
Nouvelle piece,
Nueva pieza,
Ny detalj

xxx xx xx-xx =

REF.	PART NO.	DESCRIPTION	REMARK	QTY.	KIT
9535247-01	953524701	CUTTING DECK	COMBI 103	1	
5067511-01	506751101	BLADE HOUSING ASSY	Expired	YTTRE.	1
5067511-04	506751104	BLADE HOUSING ASSY	Expired	MITTEN.	1
5949780-01	594978001	BELT		1	
5066754-01	506675401	SCREW EHHFM		1	
5069221-01	506922101	PULLEY		1	
5067514-01	506751401	SPACER	Expired		1
7252453-71	725245371	SCREW EHHM		4	
5354134-01	535413401	BEARING HOUSING		1	
7382204-19	738220419	BALL BEARING		1	
5067513-01	506751301	SHAFT	Expired		1
5065335-01	506533501	PARALLEL KEY		2	
5065331-01	506533101	SPRING		1	
5354632-01	535463201	DECK SHELL ASSY	Expired		1
7322118-01	732211801	LOCK NUT		4	
5069162-01	506916201	NUT		3	
5065187-01	506518701	DUST COVER		1	
5354137-01	535413701	ADAPTER		1	
5310088-01	531008801	KNIFE KIT		1	
5067923-01	506792301	KNIFE PLATE	Replaced: 5881456-01	1	
5354153-01	535415301	SCREW		1	
7252460-51	725246051	SCREW EHHM		3	
7341164-01	734116401	WASHER		3	
5354634-01	535463401	PLUG ASSY	Replaced: 5444492-01	1	
5069187-02	506918702	WASHER		1	
7341164-41	734116441	WASHER		1	
5065583-02	506558302	SCREW EHHFT		1	
5065195-01	506519501	SPÄNNARM KPL.	Replaced: 5869666-01	1	
7252451-71	725245171	SCREW EHHM		4	
5067513-04	506751304	SHAFT	Expired		1
5065327-01	506532701	PULLEY		1	
5354230-01	535423001	BRACKET	Expired		1
5310050-17	531005017	BELT	Replaced: 5895306-01	1	
5067787-02	506778702	SPACER		1	
5354644-01	535464401	BELT COVER	Expired		1
5065597-01	506559701	WASHER		2	
5069826-01	506982601	SCREW		2	
5067786-01	506778601	PULLEY		1	
7341174-41	734117441	WASHER		1	

X Combi 112 compl 953 52 44-01

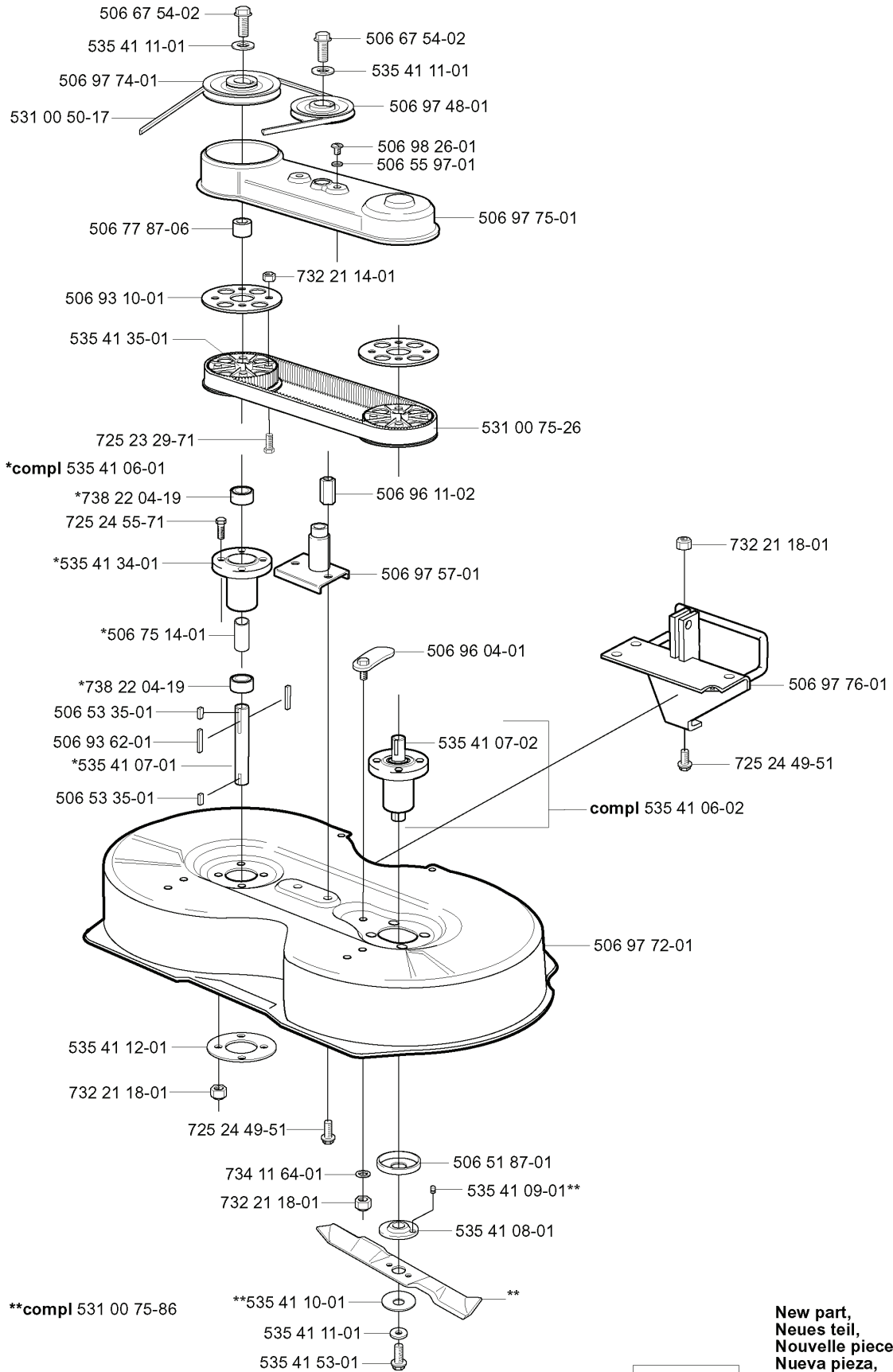
*compl 506 75 11-01 Yttre. Outer. Exterior. Äusser. Ulko.
 *compl 506 75 11-04 Mitten. Centre. Centre. Zentrum. Keski.



xxx xx xx-xx = New part,
 Neues teil,
 Nouvelle piece,
 Nueva pieza,
 Ny detalj

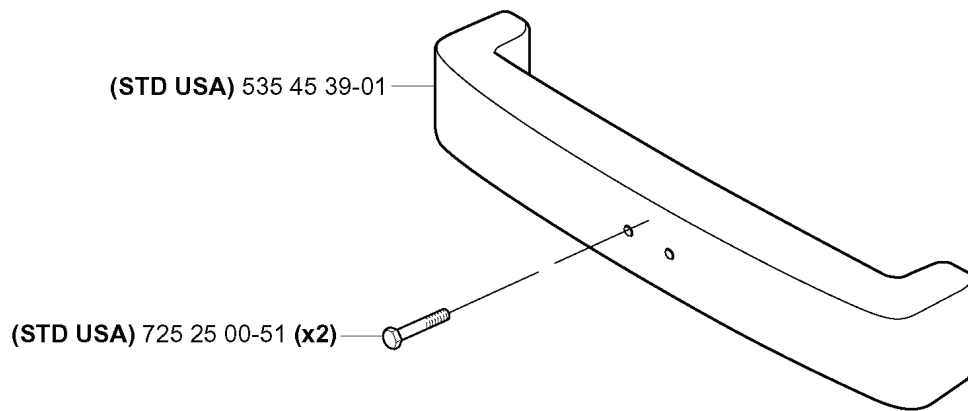
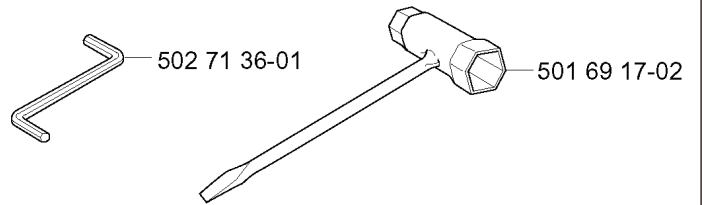
REF.	PART NO.	DESCRIPTION	REMARK	QTY.	KIT
9535244-01	953524401	CUTTING DECK	COMBI 112	1	
5067511-01	506751101	BLADE HOUSING ASSY	Expired	YTTRE.	1
5067511-04	506751104	BLADE HOUSING ASSY	Expired	MITTEN.	1
5949780-01	594978001	BELT		1	
5067514-01	506751401	SPACER	Expired		1
7252453-71	725245371	SCREW EHHM		1	
5354134-01	535413401	BEARING HOUSING		1	
7382204-19	738220419	BALL BEARING		1	
5067513-01	506751301	SHAFT	Expired		1
5065335-01	506533501	PARALLEL KEY		1	
5065331-01	506533101	SPRING		1	
5354308-01	535430801	DECK SHELL ASSY	Replaced: 9650785-01	1	
5069162-01	506916201	NUT		3	
5065187-01	506518701	DUST COVER		1	
5354137-01	535413701	ADAPTER		1	
5310060-97	531006097	BLADE		1	
5067923-01	506792301	KNIFE PLATE	Replaced: 5881456-01	1	
5354153-01	535415301	SCREW		1	
5069187-02	506918702	WASHER		1	
7341164-41	734116441	WASHER		1	
5065583-02	506558302	SCREW EHHFT		1	
5065327-01	506532701	PULLEY		1	
5065195-01	506519501	SPÄNNARM KPL.	Replaced: 5869666-01	1	
5354310-01	535431001	PLUG ASSY	Replaced: 5444493-01	1	
7341164-01	734116401	WASHER		3	
7252460-51	725246051	SCREW EHHM		3	
7252451-71	725245171	SCREW EHHM		1	
5067513-04	506751304	SHAFT	Expired		1
5354230-01	535423001	BRACKET	Expired		1
7322118-01	732211801	LOCK NUT		4	
5069221-01	506922101	PULLEY		1	
5895146-01	589514601	BELT		1	
5067787-02	506778702	SPACER		1	
5354120-01	535412001	BELT COVER	Replaced: 5354723-01	1	
5065597-01	506559701	WASHER		1	
5069826-01	506982601	SCREW		1	
5067786-01	506778601	PULLEY		1	
7341174-41	734117441	WASHER		1	
5066754-01	506675401	SCREW EHHFM		1	

U Bio 90 **compl 953 52 34-01**



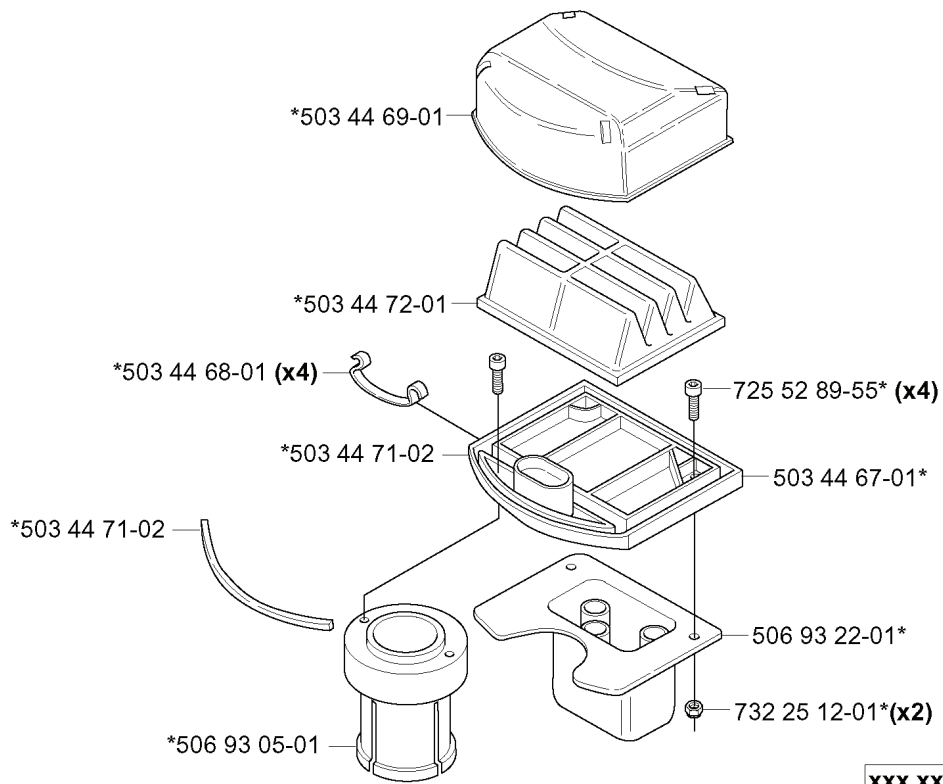
REF.	PART NO.	DESCRIPTION	REMARK	QTY.	KIT
9535234-01	953523401	CUTTING DECK	BIO 90	1	
5066754-02	506675402	SCREW EHHFM		1	
5069774-01	506977401	PULLEY		1	
5310050-17	531005017	BELT	Replaced: 5895306-01	1	
5067787-06	506778706	SPACER		1	
5069310-01	506931001	FLANGE		1	
5354135-01	535413501	PULLEY		1	
7252329-71	725232971	SCREW EHHM		1	
5354106-01	535410601	BLADE HOUSING ASSY	Expired	1	
7382204-19	738220419	BALL BEARING		1	
7252455-71	725245571	SCREW EHHM		1	
5354134-01	535413401	BEARING HOUSING		1	
5067514-01	506751401	SPACER	Expired	1	
5065335-01	506533501	PARALLEL KEY		1	
5069362-01	506936201	WEDGE		1	
5354107-01	535410701	SHAFT		1	
5354112-01	535411201	REINFORCEMENT PLATE		1	
7322118-01	732211801	LOCK NUT		1	
7252449-51	725244951	SCREW		1	
7341164-01	734116401	WASHER		1	
5310075-86	531007586	BLADE		1	
5354110-01	535411001	CUP		1	
5354111-01	535411101	WASHER		1	
5354153-01	535415301	SCREW		1	
5354108-01	535410801	ADAPTER		1	
5354109-01	535410901	PIN		1	
5065187-01	506518701	DUST COVER		1	
5069772-01	506977201	DECK SHELL	Replaced: 5069709-07	1	
5354106-02	535410602	BLADE HOUSING ASSY	Expired	1	
5354107-02	535410702	SHAFT		1	
5069604-01	506960401	ECCENTRIC		1	
5069757-01	506975701	CONSOLE	Expired	1	
5069611-02	506961102	DISTANSMUTTER	Expired	1	
5310075-26	531007526	BELT	Replaced: 5895315-01	1	
7322114-01	732211401	LOCK NUT		1	
5069776-01	506977601	BRACKET	Expired	1	
5069775-01	506977501	BELT COVER	Replaced: 5354338-01	1	
5065597-01	506559701	WASHER		1	
5069826-01	506982601	SCREW		1	
5069748-01	506974801	PULLEY		1	

N Leverans endast som reservdel
Delivery as spare part only
Nur als Ersatzteil lieferbar
Livrabable seulement comme pièce de rechange
Solo como repuesto
Zasilã se jenom jako náhradni díl



REF.	PART NO.	DESCRIPTION	REMARK	QTY.	KIT
535 45 39-01	535453901	COUNTERWEIGHT	Expired STD USA	1	
725 25 00-51	725250051	SCREW EHHM	STD USA	2	
502 71 36-01	502713601	SPANNER	Expired	1	
501 69 17-02	501691702	COMBINATION WRENCH		1	

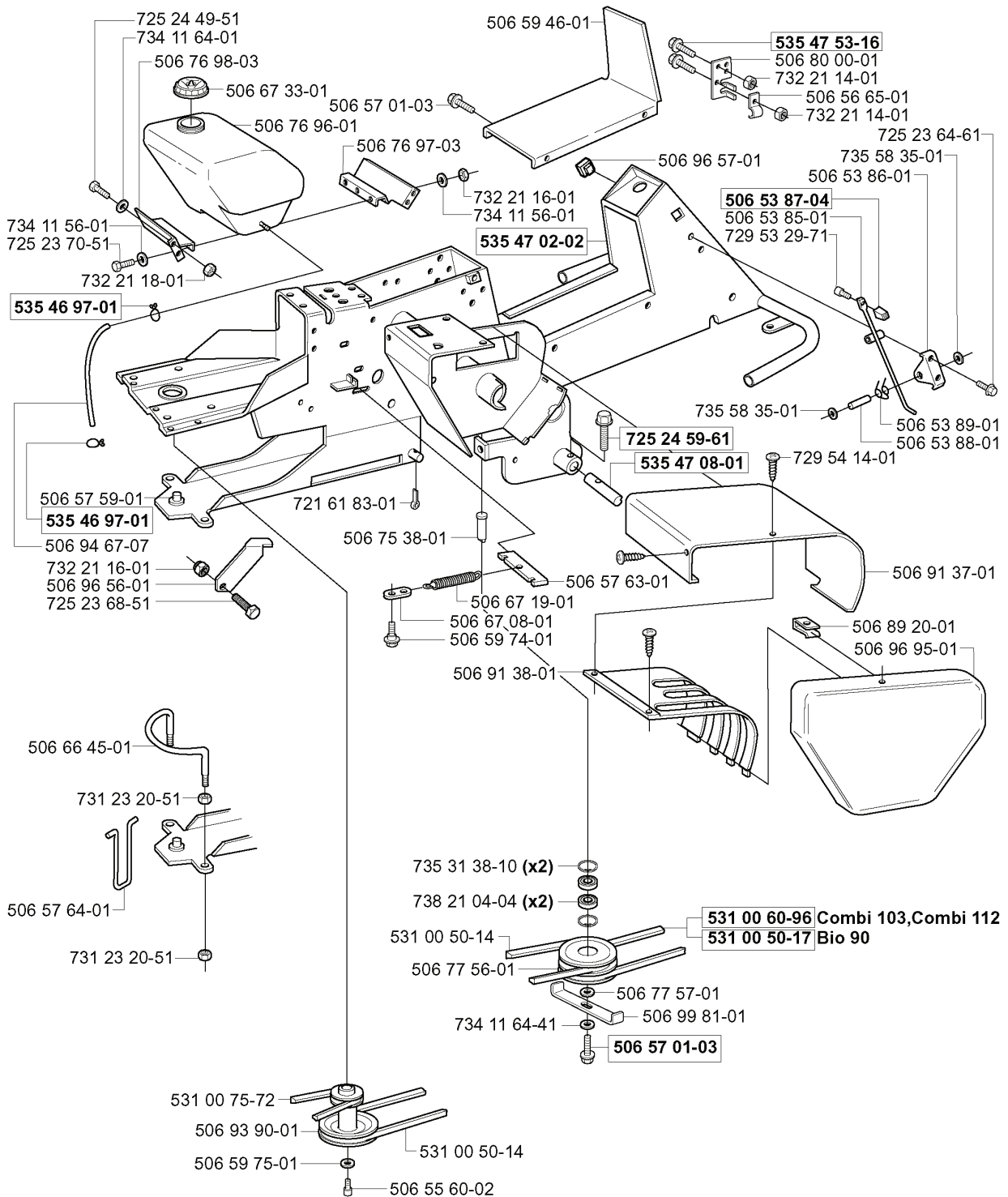
D *compl 506 93 24-01



xxx xx xx-xx = New part,
Neues teil,
Nouvelle piece,
Nueva pieza,
Ny detalj

REF.	PART NO.	DESCRIPTION	REMARK	QTY.	KIT
506 93 24-01	506932401	FILTER	Expired	1	
503 44 69-01	503446901	FILTER HOLDER		1	
503 44 72-01	503447201	AIR FILTER		1	
503 44 68-01	503446801	SPRING		4	
503 44 71-02	503447102	GASKET		1	
506 93 05-01	506930501	CONNECTION	Expired	1	
732 25 12-01	732251201	HEXAGON LOCKING NUT	Replaced: 5882221-01	2	
506 93 22-01	506932201	MUFFLER	Expired	1	
503 44 67-01	503446701	FILTER HOLDER		1	
725 52 89-55	725528955	SCREW IHSCM		4	

E



New part,
 Neues teil,
 Nouvelle piece,
 Nueva pieza,
 Ny detalj

xxx xx xx-xx =

REF.	PART NO.	DESCRIPTION	REMARK	QTY.	KIT
725 24 49-51	725244951	SCREW		1	
734 11 64-01	734116401	WASHER		1	
506 76 98-03	506769803	BRACKET	Expired	1	
506 67 33-01	506673301	TANK CAP ASSY		1	
506 76 96-01	506769601	FUEL TANK		1	
506 57 01-03	506570103	SCREW EHHFM		1	
506 76 97-03	506769703	BRACKET		1	
725 23 70-51	725237051	SCREW	Replaced: 7252370-71	1	
732 21 18-01	732211801	LOCK NUT		1	
535 46 97-01	535469701	HOSE BRACE		1	
506 57 59-01	506575901	PIVOT	Expired	1	
506 94 67-07	506946707	FUEL HOSE	Replaced: 5048000-07	1	
732 21 16-01	732211601	LOCK NUT		1	
506 96 56-01	506965601	PROTECTIVE PLATE		1	
725 23 68-51	725236851	SCREW	Replaced: 7252368-71	1	
506 66 45-01	506664501	BELT GUIDE	Replaced: 5874252-01	1	
731 23 20-51	731232051	HEXAGON NUT	Replaced: 7312320-01	1	
506 57 64-01	506576401	CABLE HOLDER		1	
531 00 75-72	531007572	BELT	Replaced: 5895312-01	1	
506 93 90-01	506939001	PULLEY	Replaced: 5354824-01	1	
506 59 75-01	506597501	WASHER		1	
506 55 60-02	506556002	SCREW UNC		1	
531 00 50-14	531005014	BELT	Replaced: 5895305-01	1	
734 11 64-41	734116441	WASHER		1	
506 77 56-01	506775601	MELLANHJUL	Replaced: 5354778-01	1	
738 21 04-04	738210404	BALL BEARING		2	
735 31 38-10	735313810	CIRCLIP		2	
506 91 38-01	506913801	CONTROL PLATE	Expired	1	
506 59 74-01	506597401	SCREW EHHFM		1	
506 67 08-01	506670801	LINK		1	
506 67 19-01	506671901	SPRING		1	
506 75 38-01	506753801	AXLE		1	
721 61 83-01	721618301	SPLIT PIN		1	
535 47 02-02	535470202	FRAME	Expired	1	
734 11 56-01	734115601	WASHER	Replaced: 5051984-01	1	
506 59 46-01	506594601	LOCK GOLVTUNNEL	Expired	1	
506 96 57-01	506965701	PLUG		1	
725 24 59-61	725245961	SCREW EHHFT		1	
535 47 08-01	535470801	WHEEL AXLE	Replaced: 5974654-01	1	
506 57 63-01	506576301	SPRING RETAINER	Replaced: 5907354-01	1	
506 77 57-01	506775701	WASHER		1	

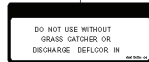
REF.	PART NO.	DESCRIPTION	REMARK	QTY.	KIT
506 99 81-01	506998101	BELT GUIDE	Expired	1	
531 00 50-17	531005017	BELT	Replaced: 5895306-01 BIO 90	1	
594 97 80-01	594978001	BELT	COMBI 103, COMBI 112	1	
506 96 95-01	506969501	CONTROL CAP	Expired	1	
506 89 20-01	506892001	SPEED NUT		1	
506 91 37-01	506913701	COVER PLATE		1	
729 54 14-01	729541401	SCREW CRPANT	Expired	1	
506 53 88-01	506538801	SHAFT		1	
506 53 89-01	506538901	SPRING		1	
729 53 29-71	729532971	SCREW CRPANT		1	
506 53 85-01	506538501	LOCKING ARM		1	
506 53 87-04	506538704	CONTROL BUTTON		1	
506 53 86-01	506538601	BRACKET		1	
735 58 35-01	735583501	WASHER		1	
725 23 64-61	725236461	SCREW EHHFT		1	
732 21 14-01	732211401	LOCK NUT		1	
506 56 65-01	506566501	CLIP		1	
506 80 00-01	506800001	BRACKET		1	
535 47 53-16	535475316	SCREW EHHFM		1	

M
USA

Start/Warning
506 94 92-01



Side discharge
506 81 80-01



Import decal
506 98 39-01

Husqvarna Forest & Garden
9006 Perimeter Woods Dr.
Charlotte, NC 28216, USA

Side discharge
506 88 18-01



CPSC
506 67 62-01



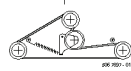
Standard decal
506 88 07-02



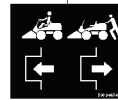
506 89 32-01



506 78 97-01



506 94 47-01



EC 535 43 20-01



Warning
506 94 48-01

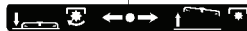
506 99 96-01



506 89 33-01



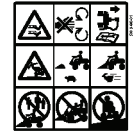
506 84 28-03



506 91 57-01



506 58 45-01



535 45 00-01



535 44 98-01



535 44 99-01



535 45 01-01 (x2)



535 45 41-01



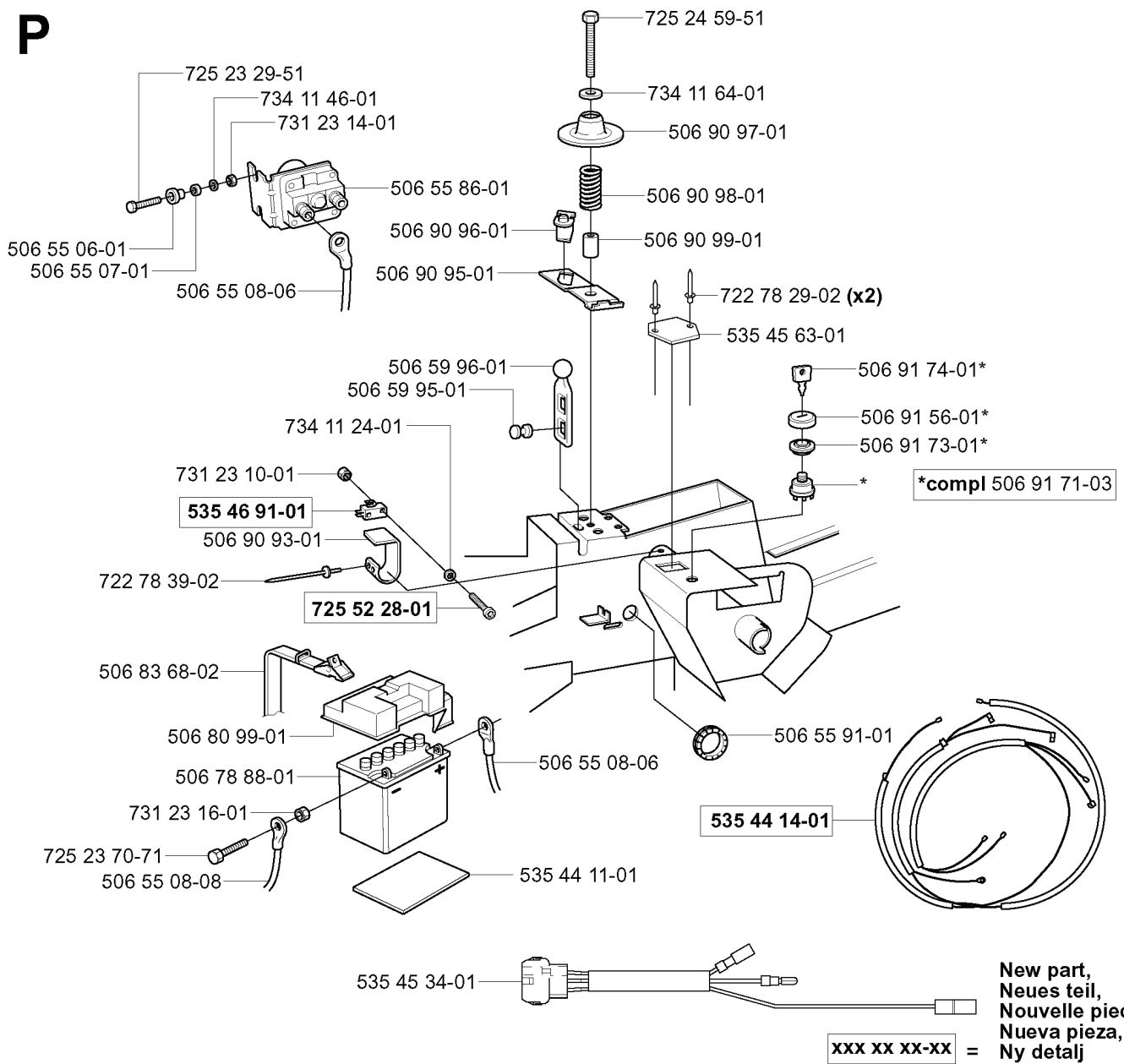
535 45 41-02

New part,
Neues teil,
Nouvelle piece,
Nueva pieza,
Ny detalj

xxx xx xx-xx =

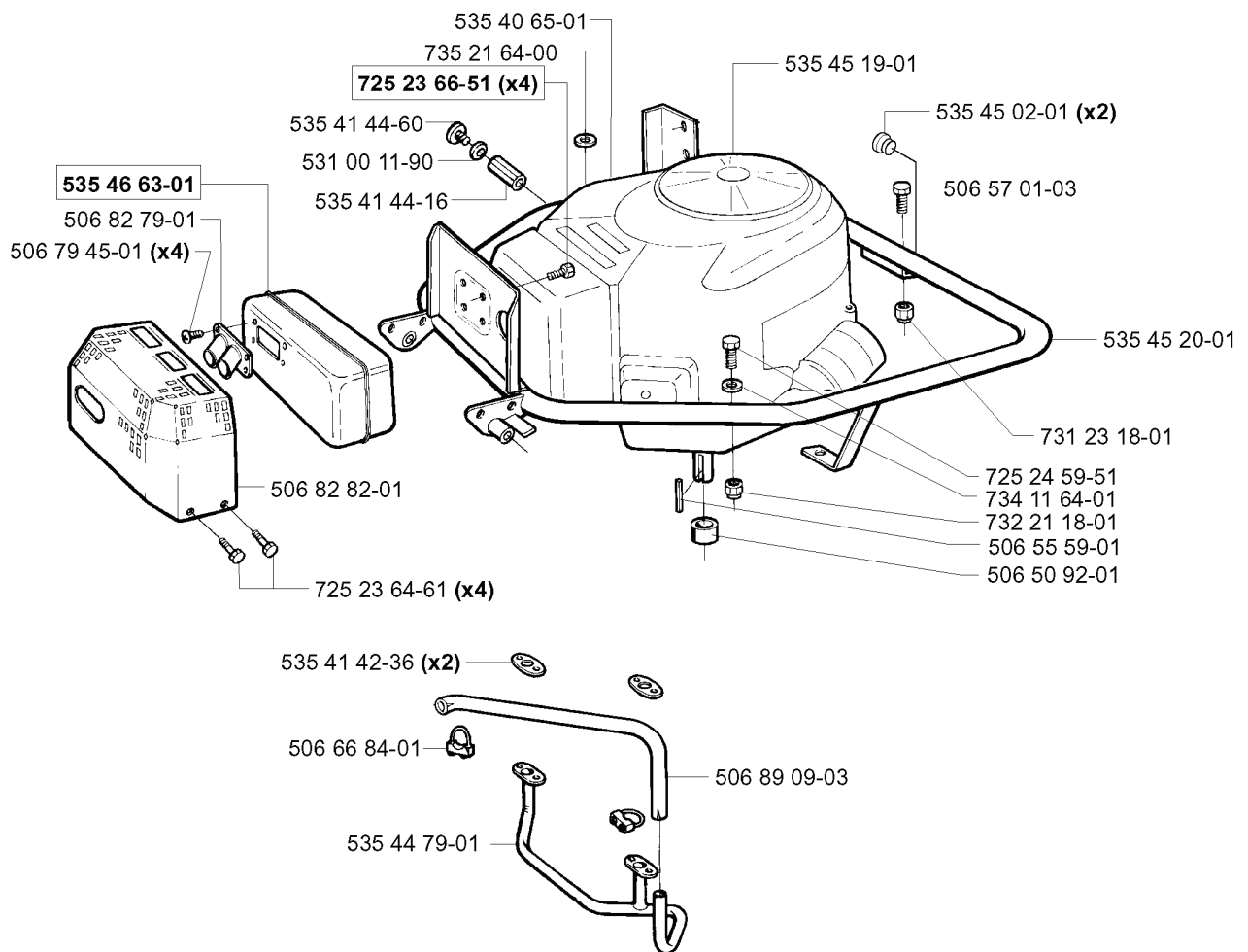
REF.	PART NO.	DESCRIPTION	REMARK	QTY.	KIT
506 94 92-01	506949201	DECAL	Expired START/WARNING	1	
506 99 96-01	506999601	LABEL	Expired	1	
535 45 00-01	535450001	DECAL		1	
535 45 41-01	535454101	STRIPES MOTORKÁPA V	Expired	1	
506 89 33-01	506893301	DECAL		1	
506 89 32-01	506893201	CONTROL LABEL	Expired	1	
506 81 80-01	506818001	LABEL	Expired SIDE DISCHARGE	1	
506 98 39-01	506983901	DECAL	Expired IMPORT DECAL	1	
506 78 97-01	506789701	LABEL		1	
506 84 28-03	506842803	DECAL	Expired	1	
506 58 45-01	506584501	LABEL		1	
535 44 98-01	535449801	DECAL	Expired	1	
535 45 01-01	535450101	DECAL	Expired	2	
535 44 99-01	535449901	DECAL	Expired	1	
506 91 57-01	506915701	DECAL	Expired	1	
506 94 47-01	506944701	HYDROSTATIC LABEL	Replaced: 5442114-01	1	
506 88 18-01	506881801	LABEL	Expired SIDE DISCHARGE	1	
506 67 62-01	506676201	LABEL WARNING	Expired CPSC	1	
535 43 20-01	535432001	DECAL	Replaced: 5052177-01	1	
535 45 41-02	535454102	STRIPES MOTORKÁPA H	Expired	1	
506 94 48-01	506944801	LABEL	Expired WARNING	1	
506 88 07-02	506880702	DECAL	Expired STANDARD DECAL	1	

P



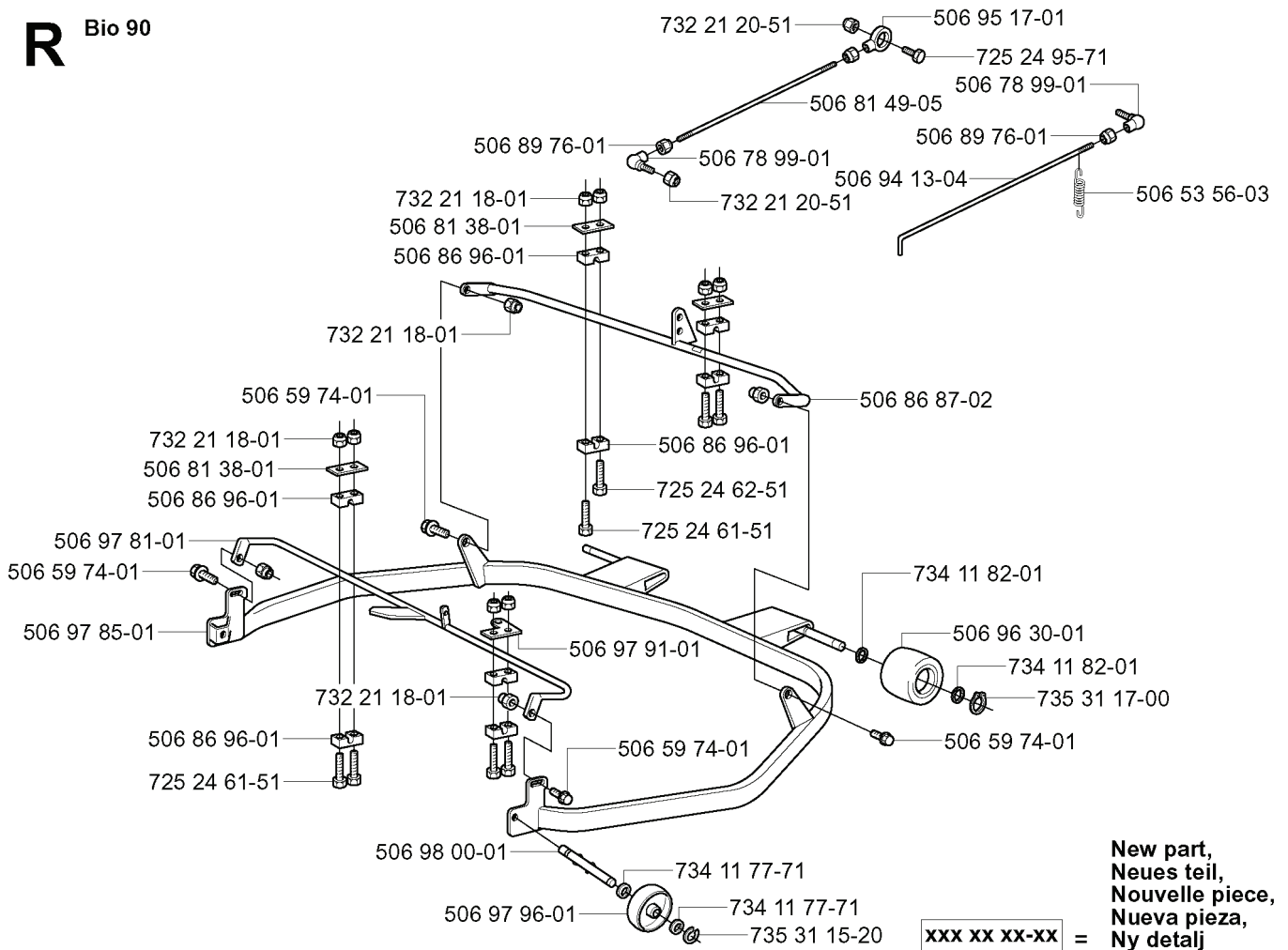
REF.	PART NO.	DESCRIPTION	REMARK	QTY.	KIT
725 23 29-51	725232951	SCREW		1	
734 11 46-01	734114601	WASHER		1	
731 23 14-01	731231401	HEXAGON NUT		1	
506 55 06-01	506550601	PLUG	Expired	1	
506 55 07-01	506550701	INSULATING WASHER		1	
731 23 10-01	731231001	HEXAGON NUT		1	
535 46 91-01	535469101	SWITCH	Replaced: 5743160-01	1	
506 90 93-01	506909301	PLATE SPRING		1	
722 78 39-02	722783902	BLIND RIVET		1	
506 83 68-02	506836802	BELT		1	
506 80 99-01	506809901	BATTERY COVER		1	
506 78 88-01	506788801	BATTERY	Replaced: 5101385-01	1	
731 23 16-01	731231601	HEXAGON NUT		1	
725 23 70-71	725237071	SCREW EHHM		1	
506 55 08-08	506550808	STARTKABEL BATT-MOTO		1	
535 45 34-01	535453401	WIRING ADAPTER		1	
725 52 28-01	725522801	SCREW IHSCM		1	
734 11 24-01	734112401	WASHER		1	
506 59 95-01	506599501	BUTTON		1	
506 59 96-01	506599601	GUMMISTROPP		1	
506 90 95-01	506909501	SWITCH ATTACHMENT SE		1	
506 90 96-01	506909601	SWITCH		1	
506 55 86-01	506558601	RELAY		1	
725 24 59-51	725245951	SCREW EHHM		1	
734 11 64-01	734116401	WASHER		1	
506 90 97-01	506909701	SPRING WASHER		1	
506 90 98-01	506909801	SPRING		1	
506 90 99-01	506909901	SPACING TUBE		1	
722 78 29-02	722782902	BLIND RIVET		2	
535 45 63-01	535456301	COVER	Expired	1	
506 55 08-06	506550806	STARTKABEL BATT-RELA	Expired	1	
535 44 11-01	535441101	BATTERY MAT		1	
535 44 14-01	535441401	WIRING	Expired	1	
506 55 91-01	506559101	SKAVSKYDD	Expired	1	
506 91 71-03	506917103	IGNITION LOCK		1	
506 91 73-01	506917301	NUT	Replaced: 5321242-11	1	
506 91 56-01	506915601	PROTECTION	Replaced: 5321236-20	1	
506 91 74-01	506917401	KEY	Replaced: 5168446-02	1	

C Kawasaki FH430V



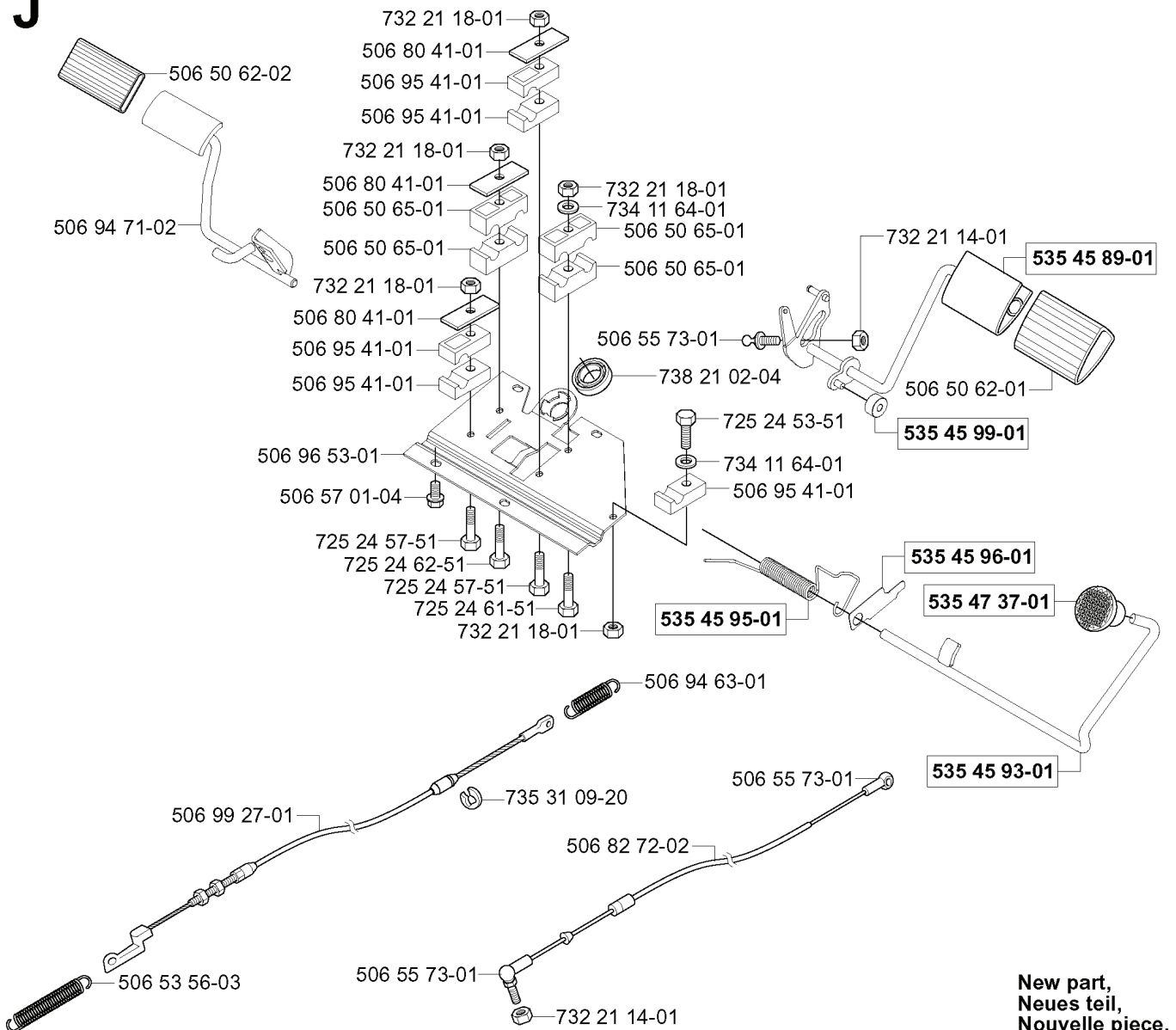
REF.	PART NO.	DESCRIPTION	REMARK	QTY.	KIT
535 40 65-01	535406501	MOTOR	Replaced: 5354519-01	1	
735 21 64-00	735216400	LOCKWASHER		1	
725 23 66-51	725236651	HEXAGONAL SCREW M6X12		4	
535 41 44-60	535414460	PLUG	Expired	1	
531 00 11-90	531001190	O-RING		1	
535 41 44-16	535414416	JOINT		1	
535 46 63-01	535466301	MUFFLER ASSY		1	
506 82 79-01	506827901	DEFLECTOR	Replaced: 5846174-01	1	
506 79 45-01	506794501	SCREW		4	
506 82 82-01	506828201	BURN GUARD ASSY		1	
725 23 64-61	725236461	SCREW EHHFT		4	
535 41 42-36	535414236	GASKET		2	
506 66 84-01	506668401	CLAMP ASSY	Replaced: 5011522-01	1	
535 44 79-01	535447901	GRENÖR KPL.		1	
506 89 09-03	506890903	EXHAUST PIPE ASSY		1	
506 50 92-01	506509201	SPACING SLEEVE		1	
506 55 59-01	506555901	WEDGE		1	
732 21 18-01	732211801	LOCK NUT		1	
734 11 64-01	734116401	WASHER		1	
725 24 59-51	725245951	SCREW EHHM		1	
731 23 18-01	731231801	HEXAGON NUT		1	
535 45 20-01	535452001	ENGINE FRAME	Expired	1	
506 57 01-03	506570103	SCREW EHHFM		1	
535 45 02-01	535450201	PLUG	Expired	2	
535 45 19-01	535451901	MOTOR	Expired	1	

R Bio 90



REF.	PART NO.	DESCRIPTION	REMARK	QTY.	KIT
506 81 38-01	506813801	REINFORCING PLATE		1	
506 86 96-01	506869601	BEARING		1	
506 97 81-01	506978101	BAKRE TVÄRRÖR KPL.		1	
506 59 74-01	506597401	SCREW EHHFM		1	
506 97 85-01	506978501	HAND GUARD ASSY	Expired	1	
732 21 18-01	732211801	LOCK NUT		1	
725 24 61-51	725246151	SCREW EHHM		1	
506 98 00-01	506980001	SHAFT		1	
506 97 96-01	506979601	WHEEL		1	
735 31 15-20	735311520	E-CLIP		1	
734 11 77-71	734117771	WASHER		1	
506 97 91-01	506979101	SERVICEBRICKA		1	
725 24 62-51	725246251	SCREW EHHM		1	
732 21 20-51	732212051	NUT	Replaced: 7322120-01	1	
506 81 49-05	506814905	ROD		1	
506 94 13-04	506941304	CONNECTION ROD		1	
506 86 87-02	506868702	FRÄMRE TVÄRRÖR KPL.		1	
734 11 82-01	734118201	WASHER		1	
506 96 30-01	506963001	WHEEL ASSY		1	
735 31 17-00	735311700	CIRCLIP		1	
506 53 56-03	506535603	DRAW SPRING		1	
506 89 76-01	506897601	NUT		1	
506 78 99-01	506789901	VINKELLÄNK DIN 7 1802		1	
725 24 95-71	725249571	SCREW EHHM		1	
506 95 17-01	506951701	ROD END		1	

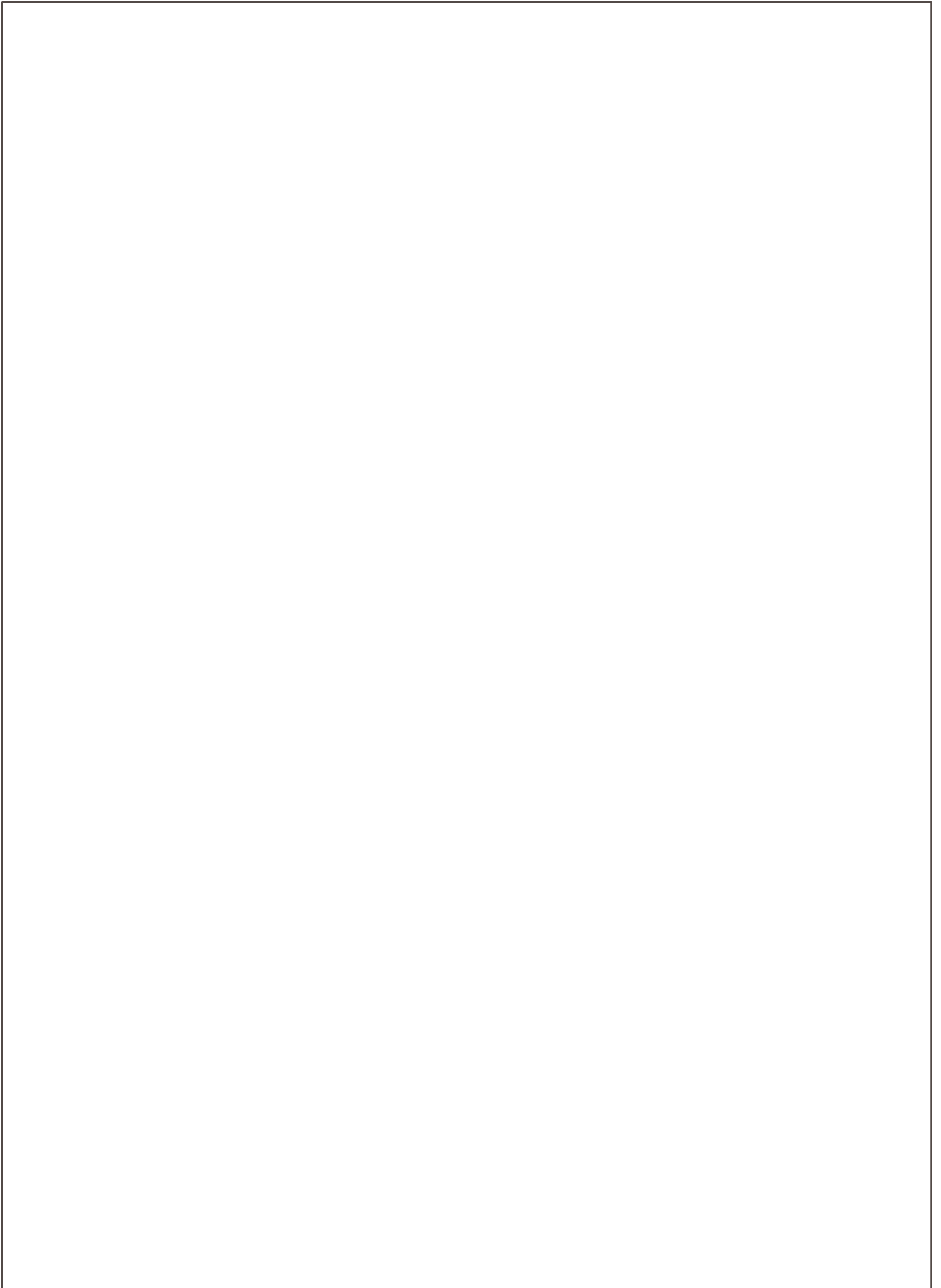
J



xxx xx xx-xx =

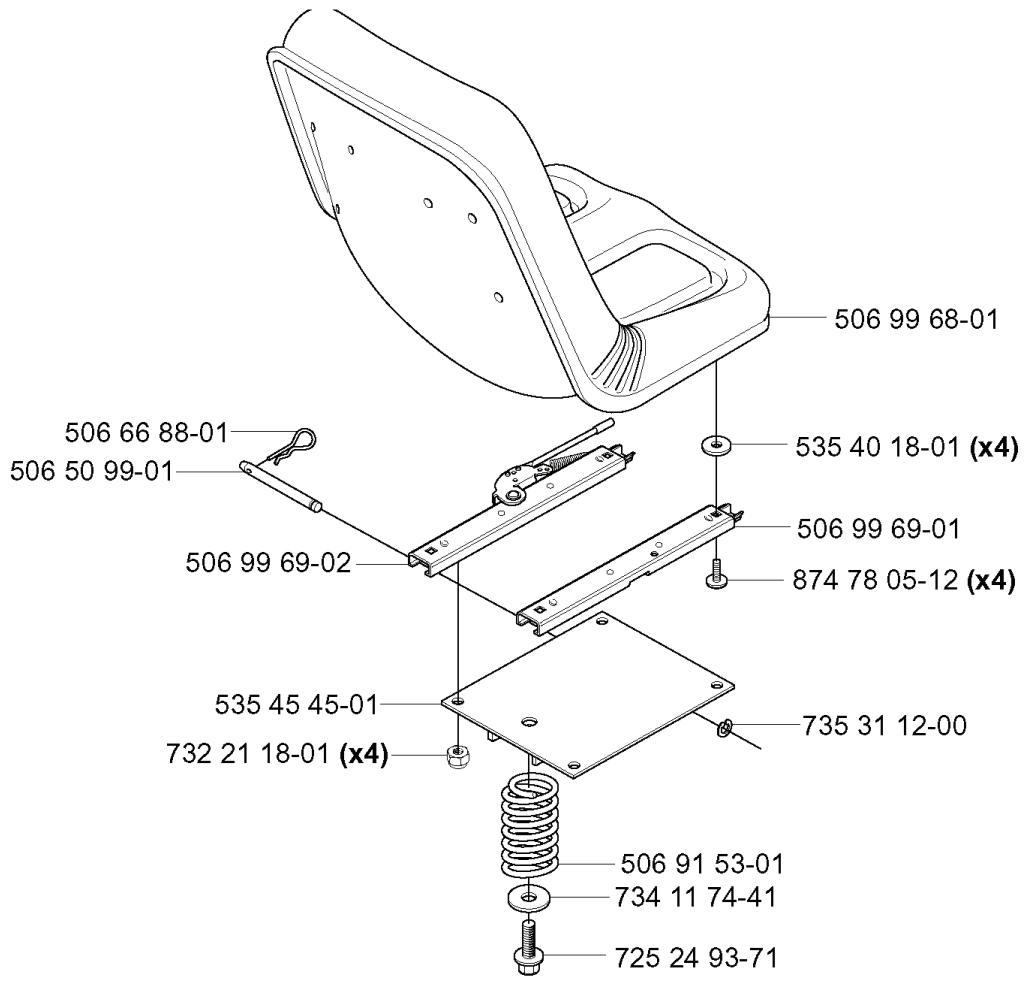
New part,
Neues teil,
Nouvelle piece,
Nueva pieza,
Ny detalj

REF.	PART NO.	DESCRIPTION	REMARK	QTY.	KIT
506 50 62-02	506506202	PEDAL RUBBER	Replaced: 5869664-02	1	
506 94 71-02	506947102	BRAKE PEDAL ASSY	Expired	1	
506 99 27-01	506992701	BRAKE WIRE		1	
506 53 56-03	506535603	DRAW SPRING		1	
506 55 73-01	506557301	VINKELLAS8 DIN7 1802		1	
506 82 72-02	506827202	CONTROL CABLE	Replaced: 5744111-01	1	
735 31 09-20	735310920	E-CLIP		1	
732 21 18-01	732211801	LOCK NUT		1	
725 24 61-51	725246151	SCREW EHHM		1	
725 24 62-51	725246251	SCREW EHHM		1	
725 24 57-51	725245751	SCREW		1	
506 57 01-04	506570104	SCREW EHHFM		1	
506 96 53-01	506965301	PEDAL PLATE	Expired	1	
506 50 65-01	506506501	BEARING SUPPORT		1	
506 80 41-01	506804101	PLATE		1	
506 95 41-01	506954101	BEARING SUPPORT		1	
734 11 64-01	734116401	WASHER		1	
738 21 02-04	738210204	BALL BEARING		1	
725 24 53-51	725245351	SCREW EHHM	Replaced: 7252453-71	1	
535 45 95-01	535459501	SPRING		1	
506 94 63-01	506946301	BRAKE SPRING		1	
535 45 93-01	535459301	REVERSE PEDAL		1	
535 47 37-01	535473701	KNOB	Replaced: 5867274-01	1	
535 45 96-01	535459601	PLATE		1	
535 45 99-01	535459901	ROLLER		1	
506 50 62-01	506506201	PEDAL RUBBER	Replaced: 5869664-01	1	
535 45 89-01	535458901	HST-PEDAL M.FOTPL.	Replaced: 5441260-01	1	
732 21 14-01	732211401	LOCK NUT		1	



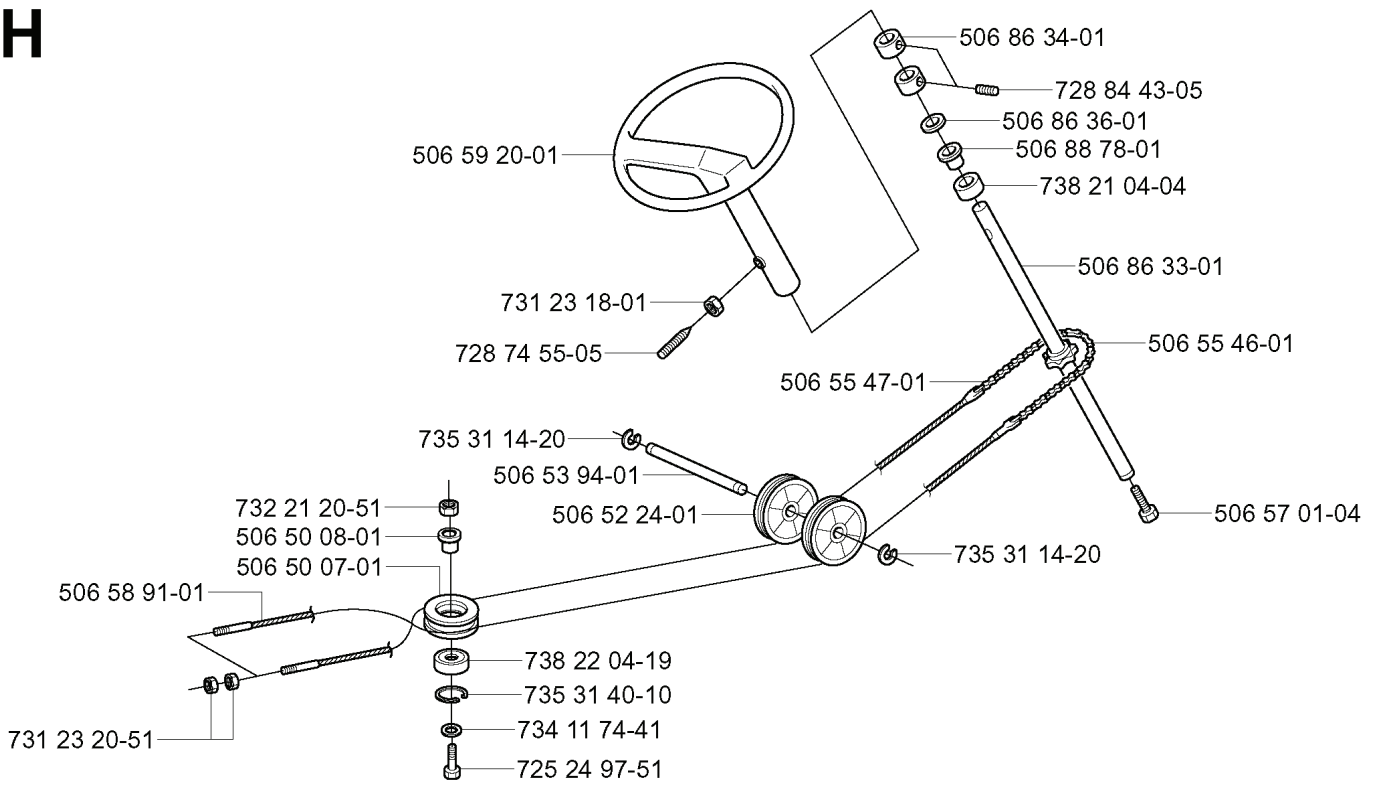
REF.	PART NO.	DESCRIPTION	REMARK	QTY.	KIT
506 81 38-01	506813801	REINFORCING PLATE		1	
535 43 12-01	535431201	REAR CROSS TUBES ASS	Expired	1	
535 41 23-01	535412301	PROTECTIVE TUBING	Expired	1	
732 21 18-01	732211801	LOCK NUT		1	
725 24 61-51	725246151	SCREW EHHM		1	
506 98 00-01	506980001	SHAFT		1	
506 97 96-01	506979601	WHEEL		1	
535 46 41-01	535464101	WASHER		2	
735 31 15-20	735311520	E-CLIP		1	
734 11 77-71	734117771	WASHER		1	
734 11 56-01	734115601	WASHER	Replaced: 5051984-01	1	
732 21 16-01	732211601	LOCK NUT		1	
535 46 36-01	535463601	PROTECTIVE TUBING	Expired	1	
506 97 91-01	506979101	SERVICEBRICKA		1	
725 24 62-51	725246251	SCREW EHHM		1	
506 86 96-01	506869601	BEARING		1	
732 21 20-51	732212051	NUT	Replaced: 7322120-01	1	
506 81 49-06	506814906	ROD		1	
506 78 99-01	506789901	VINKELLÄNK DIN 71802		1	
506 92 46-02	506924602	FRÄMRE TVÄRRÖR KPL.		1	
734 11 82-01	734118201	WASHER		1	
506 96 30-01	506963001	WHEEL ASSY		1	
735 31 17-00	735311700	CIRCLIP		1	
506 59 74-01	506597401	SCREW EHHFM		1	
535 47 63-01	535476301	SIDE RAIL		1	
727 63 83-01	727638301	SCREW RSQM		1	
506 94 13-06	506941306	CONNECTION ROD		1	
535 46 87-01	535468701	REAR CROSS TUBES ASS		1	
506 53 56-03	506535603	DRAW SPRING		1	
506 89 76-01	506897601	NUT		1	
725 24 95-71	725249571	SCREW EHHM		1	
506 95 17-01	506951701	ROD END		1	
535 46 88-01	535468801	FRÄMRE TVÄRRÖR KPL.		1	

A



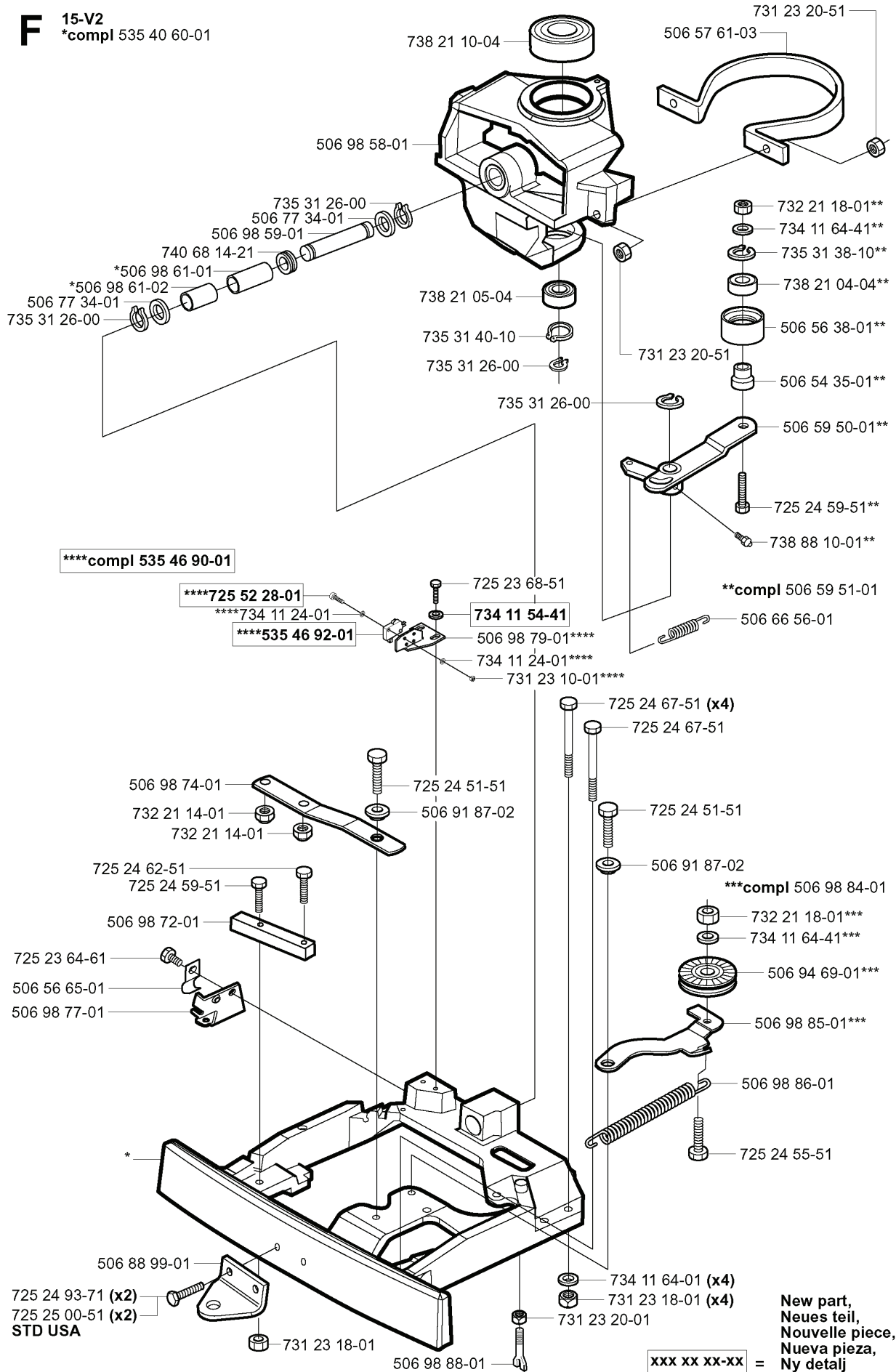
REF.	PART NO.	DESCRIPTION	REMARK	QTY.	KIT
506 66 88-01	506668801	SPRING COTTER		1	
506 50 99-01	506509901	SHAFT	Expired	1	
506 99 69-02	506996902	ADJUSTER	Expired	1	
535 45 45-01	535454501	SEAT BRACKET ASSY	Expired	1	
732 21 18-01	732211801	LOCK NUT		4	
725 24 93-71	725249371	SCREW EHHM		1	
734 11 74-41	734117441	WASHER		1	
506 91 53-01	506915301	COMPRESSION SPRING		1	
735 31 12-00	735311200	CIRCLIP		1	
874 78 05-12	874780512	SCREW	Replaced: 5399769-34	4	
506 99 69-01	506996901	ADJUSTER	Expired	1	
535 40 18-01	535401801	SPACER		4	
506 99 68-01	506996801	SEAT	Expired	1	

H



REF.	PART NO.	DESCRIPTION	REMARK	QTY.	KIT
506 59 20-01	506592001	STEERING WHEEL		1	
731 23 18-01	731231801	HEXAGON NUT		1	
728 74 55-05	728745505	SCREW IHSETM		1	
506 53 94-01	506539401	SHAFT	Replaced: 5065394-03	1	
506 52 24-01	506522401	STARTER PULLEY		1	
732 21 20-51	732212051	NUT	Replaced: 7322120-01	1	
506 50 08-01	506500801	BUSHING	Expired	1	
506 50 07-01	506500701	BARRING WHEEL		1	
506 58 91-01	506589101	WIRE ASSY	Replaced: 5771999-01	1	
731 23 20-51	731232051	HEXAGON NUT	Replaced: 7312320-01	1	
738 22 04-19	738220419	BALL BEARING		1	
735 31 40-10	735314010	CIRCLIP		1	
734 11 74-41	734117441	WASHER		1	
725 24 97-51	725249751	SCREW		1	
735 31 14-20	735311420	E-CLIP		1	
506 55 47-01	506554701	LINKAGE		1	
506 57 01-04	506570104	SCREW EHHFM		1	
506 55 46-01	506554601	CHAIN		1	
506 86 33-01	506863301	ROD STEERING ASSY	Expired	1	
738 21 04-04	738210404	BALL BEARING		1	
506 88 78-01	506887801	SPACER		1	
506 86 36-01	506863601	WASHER	Expired	1	
728 84 43-05	728844305	SCREW IHSETM		1	
506 86 34-01	506863401	DRIVER	Replaced: 5870809-01	1	

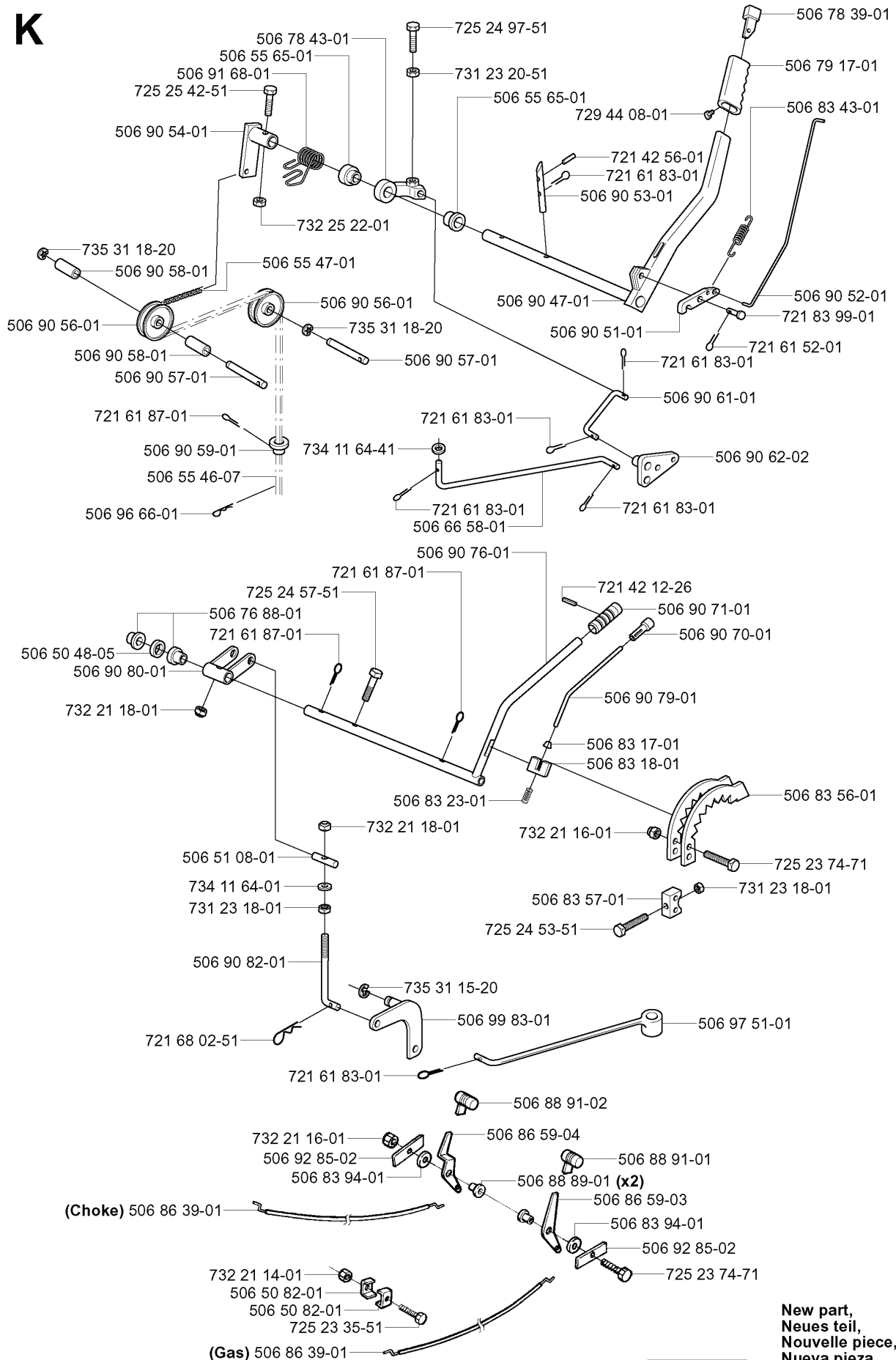
F 15-V2
*compl 535 40 60-01



REF.	PART NO.	DESCRIPTION	REMARK	QTY.	KIT
535 40 60-01	535406001	BRACKET		1	
738 21 10-04	738211004	BALL BEARING		1	
506 98 58-01	506985801	SPINDLE	Replaced: 5069858-03	1	
506 98 59-01	506985901	SWING AXLE		1	
740 68 14-21	740681421	V-RING		1	
506 98 61-01	506986101	GLIDLAGER		1	
506 98 61-02	506986102	GLIDLAGER		1	
506 77 34-01	506773401	WASHER		1	
535 46 90-01	535469001	SWITCH	Replaced: 5354692-01	1	
725 52 28-01	725522801	SCREW IHSCM		1	
535 46 92-01	535469201	SWITCH		1	
506 98 74-01	506987401	LEVER	Replaced: 5069874-03	1	
732 21 14-01	732211401	LOCK NUT		1	
725 24 62-51	725246251	SCREW EHHM		1	
506 98 72-01	506987201	MOMENTFÄSTE		1	
725 23 64-61	725236461	SCREW EHHFT		1	
506 56 65-01	506566501	CLIP		1	
506 98 77-01	506987701	BRACKET		1	
506 88 99-01	506889901	HITCH		1	
725 24 93-71	725249371	SCREW EHHM		2	
725 25 00-51	725250051	SCREW EHHM	STD USA	2	
731 23 18-01	731231801	HEXAGON NUT		1	
506 98 88-01	506988801	PENDULUM		1	
506 91 87-02	506918702	WASHER		1	
725 24 51-51	725245151	SCREW		1	
735 31 40-10	735314010	CIRCLIP		1	
738 21 05-04	738210504	BALL BEARING		1	
735 31 26-00	735312600	CIRCLIP		1	
725 23 68-51	725236851	SCREW	Replaced: 7252368-71	1	
734 11 54-41	734115441	WASHER		1	
506 98 79-01	506987901	BRACKET		1	
734 11 24-01	734112401	WASHER		1	
731 23 10-01	731231001	HEXAGON NUT		1	
725 24 67-51	725246751	SCREW EHHM		1	
734 11 64-01	734116401	WASHER		4	
731 23 20-01	731232001	HEXAGON NUT		1	
725 24 55-51	725245551	SCREW		1	
506 98 86-01	506988601	SPRING	Replaced: 5949241-01	1	
506 98 85-01	506988501	BELT TENSIONER	Replaced: 5887404-01	1	
506 94 69-01	506946901	PULLEY		1	
734 11 64-41	734116441	WASHER		1	

REF.	PART NO.	DESCRIPTION	REMARK	QTY.	KIT
732 21 18-01	732211801	LOCK NUT		1	
506 98 84-01	506988401	BELT TENSIONER ASSY		1	
506 66 56-01	506665601	SPRING		1	
506 59 51-01	506595101	REMSP. KNIVDRIVNING	Replaced: 5354844-01	1	
738 88 10-01	738881001	LUBRICATION NIPPLE		1	
725 24 59-51	725245951	SCREW EHHM		1	
506 59 50-01	506595001	LEVER	Expired	1	
506 54 35-01	506543501	BUSHING	Expired	1	
506 56 38-01	506563801	TENSION ROLLER		1	
738 21 04-04	738210404	BALL BEARING		1	
735 31 38-10	735313810	CIRCLIP		1	
506 57 61-03	506576103	STYRKANS	Replaced: 5444273-01	1	
731 23 20-51	731232051	HEXAGON NUT	Replaced: 7312320-01	1	

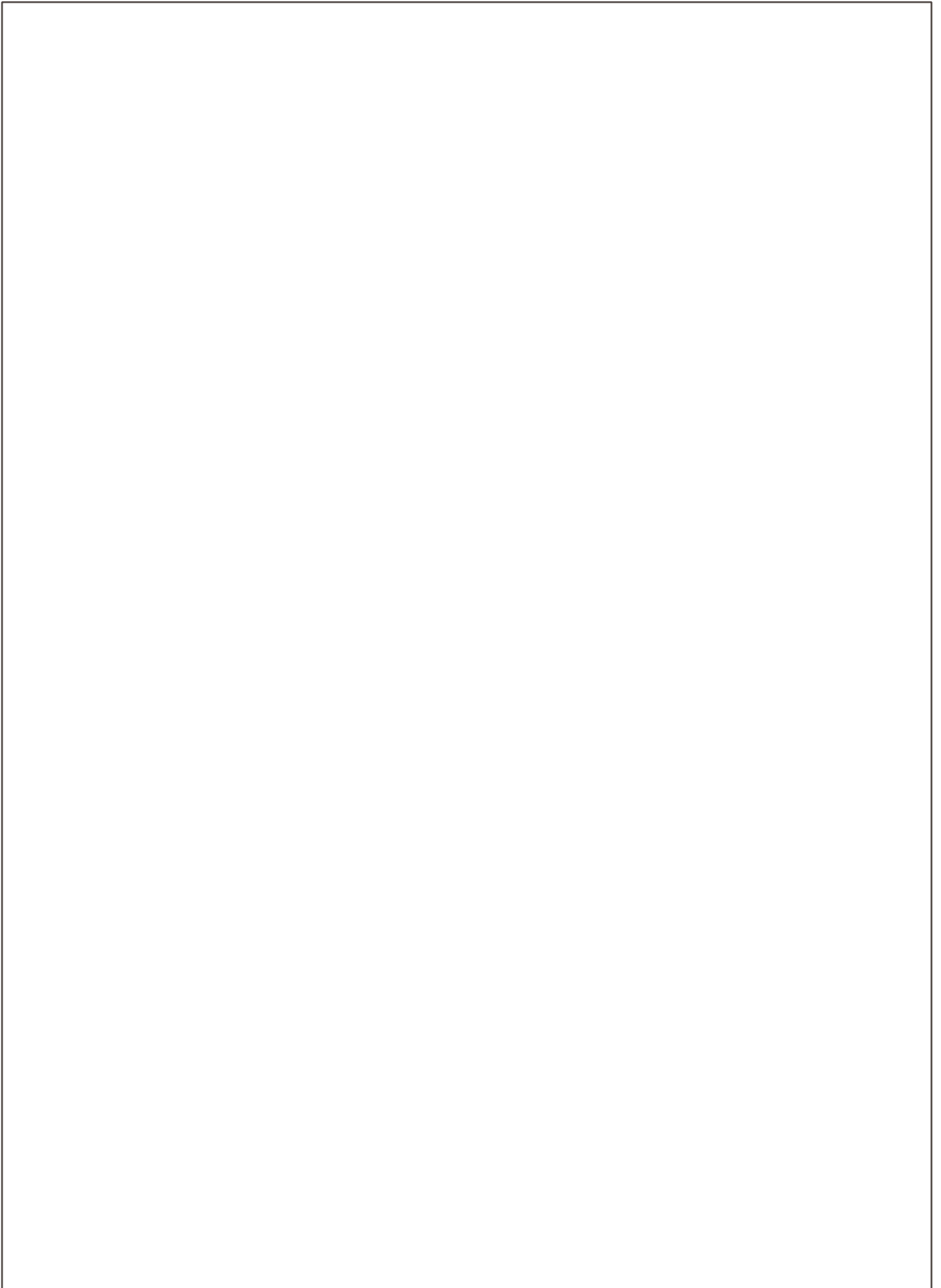
K



xxx xx xx-xx = New part, Neues teil, Nouvelle piece, Nueva pieza, Ny detalj

REF.	PART NO.	DESCRIPTION	REMARK	QTY.	KIT
506 78 43-01	506784301	LINK ASSY		1	
506 55 65-01	506556501	BEARING	Replaced: 5848713-01	1	
506 91 68-01	506916801	SPRING		1	
725 25 42-51	725254251	SCREW EHHM		1	
506 90 54-01	506905401	LIFTING ARM	Expired	1	
735 31 18-20	735311820	E-CLIP		1	
506 90 58-01	506905801	TUBE SLEEVE		1	
506 90 57-01	506905701	SHAFT	Replaced: 5828719-01	1	
506 90 59-01	506905901	CHAIN STOP	Expired	1	
506 55 46-07	506554607	CHAIN		1	
506 96 66-01	506966601	HAIR PIN COTTER		1	
506 50 48-05	506504805	WASHER		1	
506 90 80-01	506908001	LEVER	Expired	1	
506 51 08-01	506510801	NIPPLE		1	
734 11 64-01	734116401	WASHER		1	
506 90 82-01	506908201	HEIGHT ROD		1	
721 68 02-51	721680251	SPRING COTTER		1	
506 86 39-01	506863901	THROTTLE CABLE ASSY	Expired CHOKE	1	
732 21 14-01	732211401	LOCK NUT		1	
506 50 82-01	506508201	CLIP	Expired	1	
725 23 35-51	725233551	SCREW EHHM	Expired	1	
732 21 16-01	732211601	LOCK NUT		1	
732 21 18-01	732211801	LOCK NUT		1	
506 83 23-01	506832301	SPRING		1	
506 76 88-01	506768801	BUSHING		1	
725 24 57-51	725245751	SCREW		1	
721 61 87-01	721618701	SPLIT PIN		1	
506 90 76-01	506907601	LIFTING LEVER ASSY		1	
506 66 58-01	506665801	CLUTCH ROD REAR		1	
721 61 83-01	721618301	SPLIT PIN		1	
734 11 64-41	734116441	WASHER		1	
506 90 56-01	506905601	OFFSET PULLEY		1	
506 55 47-01	506554701	LINKAGE		1	
732 25 22-01	732252201	HEXAGON LOCKING NUT		1	
731 23 20-51	731232051	HEXAGON NUT	Replaced: 7312320-01	1	
725 24 97-51	725249751	SCREW		1	
729 44 08-01	729440801	SCREW SLCSRT		1	
721 42 56-01	721425601	SPRING PIN	Replaced: 7211256-30	1	
506 90 53-01	506905301	PEN	Replaced: 5254066-01	1	
506 90 47-01	506904701	LIFT LEVER CMPL	Replaced: 5354811-01	1	
506 90 51-01	506905101	CATCH	Replaced: 5354645-01	1	

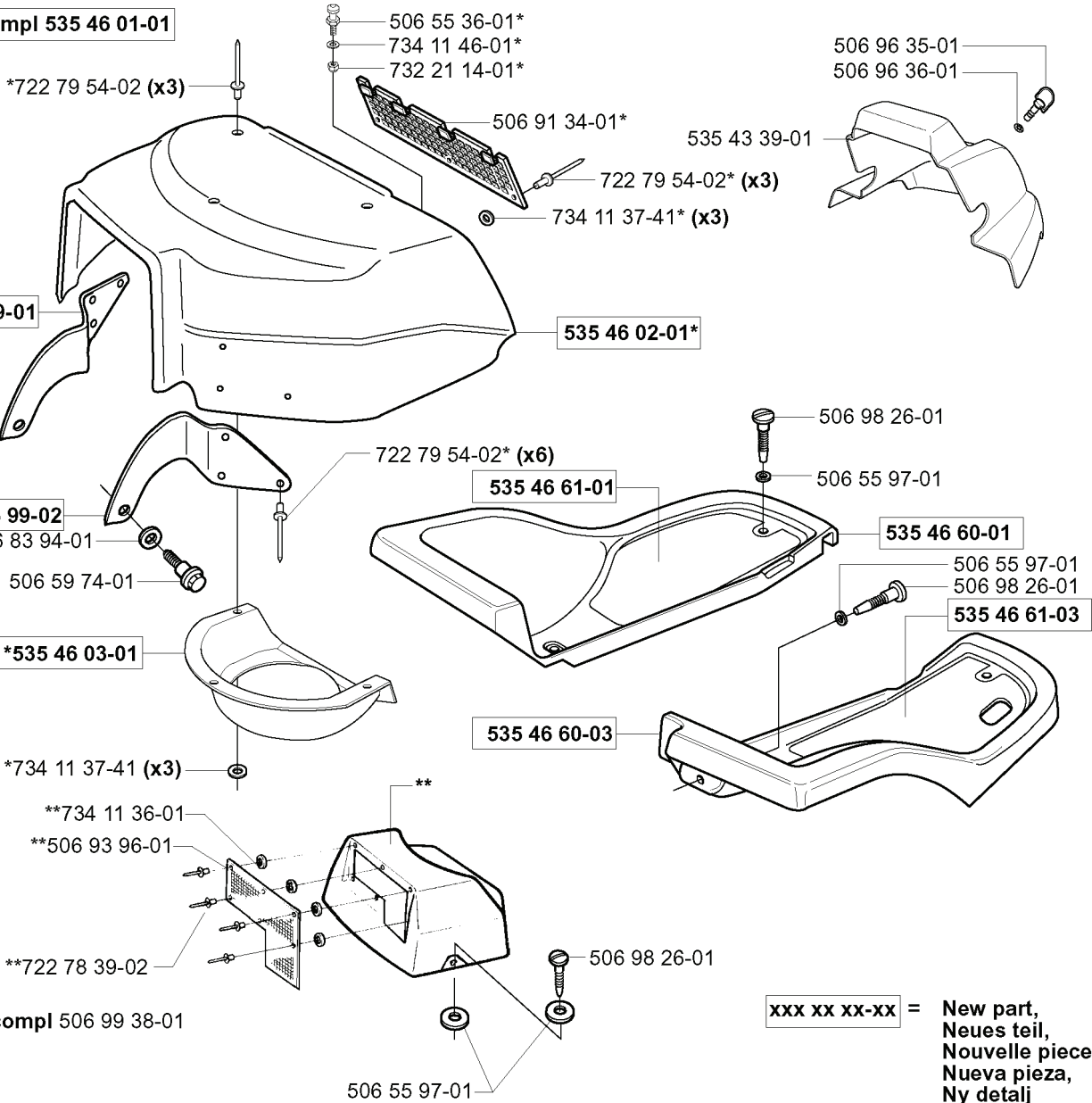
REF.	PART NO.	DESCRIPTION	REMARK	QTY.	KIT
506 83 57-01	506835701	BRACKET		1	
725 24 53-51	725245351	SCREW EHHM	Replaced: 7252453-71	1	
735 31 15-20	735311520	E-CLIP		1	
506 99 83-01	506998301	LINK ASSY		1	
506 88 91-02	506889102	KNOB		1	
506 86 59-04	506865904	CONTROL		1	
506 88 89-01	506888901	BUSHING		2	
506 86 59-03	506865903	CONTROL	Expired	1	
506 83 94-01	506839401	SPRING WASHER		1	
506 92 85-02	506928502	LOCKWASHER		1	
725 23 74-71	725237471	SCREW EHHM		1	
506 88 91-01	506889101	KNOB		1	
506 97 51-01	506975101	CONNECTOR		1	
731 23 18-01	731231801	HEXAGON NUT		1	
506 83 56-01	506835601	HÖJDSEGMET		1	
506 83 18-01	506831801	LOCK		1	
506 83 17-01	506831701	END FITTING	Expired	1	
506 90 79-01	506907901	PUSH ROD		1	
506 90 70-01	506907001	KNOB		1	
506 90 71-01	506907101	HANDLE		1	
721 42 12-26	721421226	SPRING PIN		1	
506 90 62-02	506906202	LINK ASSY		1	
506 90 61-01	506906101	CONNECTION ROD		1	
721 61 52-01	721615201	SPLIT PIN		1	
721 83 99-01	721839901	CLEVIS PIN		1	
506 90 52-01	506905201	PUSH ROD		1	
506 83 43-01	506834301	SPRING		1	
506 79 17-01	506791701	HANDLE		1	
506 78 39-01	506783901	BUTTON		1	



REF.	PART NO.	DESCRIPTION	REMARK	QTY.	KIT
725 25 36-71	725253671	SCREW EHHM	COMBI 103/112	1	
725 24 57-51	725245751	SCREW		1	
734 11 64-41	734116441	WASHER		1	
725 24 95-71	725249571	SCREW EHHM		1	
506 98 25-01	506982501	WASHER	Expired	1	
506 59 75-01	506597501	WASHER		1	
506 97 63-01	506976301	SPÄNNARM	Expired	1	
506 97 68-01	506976801	SPRING	Replaced: 5940206-01	1	
732 21 20-51	732212051	NUT	Replaced: 7322120-01	1	
732 25 22-01	732252201	HEXAGON LOCKING NUT	COMBI 103/112	1	
506 83 76-01	506837601	SPRING		1	
506 89 58-01	506895801	COLLAR SCREW		1	
506 83 77-01	506837701	RING BOLT		1	
734 11 72-01	734117201	WASHER		1	
731 23 20-51	731232051	HEXAGON NUT	Replaced: 7312320-01	1	
506 97 48-01	506974801	PULLEY		1	
506 82 68-01	506826801	BUSHING		1	
506 97 50-01	506975001	BELT GUIDE		1	
725 24 61-51	725246151	SCREW EHHM		1	
506 53 27-01	506532701	PULLEY		1	
725 25 42-51	725254251	SCREW EHHM	COMBI 103/112	1	
535 43 13-01	535431301	LÄNKRÖRRSINFÄSTN.KPL	COMBI 103/112	1	
506 59 74-01	506597401	SCREW EHHFM	COMBI 103/112	2	
732 21 18-01	732211801	LOCK NUT	COMBI 103/112	2	
506 97 46-01	506974601	PEN		1	
506 99 79-01	506997901	LINK ASSY		1	
721 86 17-01	721861701	CLEVIS PIN		1	
735 31 15-20	735311520	E-CLIP		1	
734 11 77-71	734117771	WASHER		1	
506 97 96-01	506979601	WHEEL		1	
506 98 00-01	506980001	SHAFT		1	
535 47 10-01	535471001	DECK ATTACHMENT ASSY	Expired	1	
721 68 02-51	721680251	SPRING COTTER		1	
506 96 37-01	506963701	LÅSDON		1	
506 98 28-01	506982801	BRACKET		1	
722 78 39-02	722783902	BLIND RIVET		1	

B

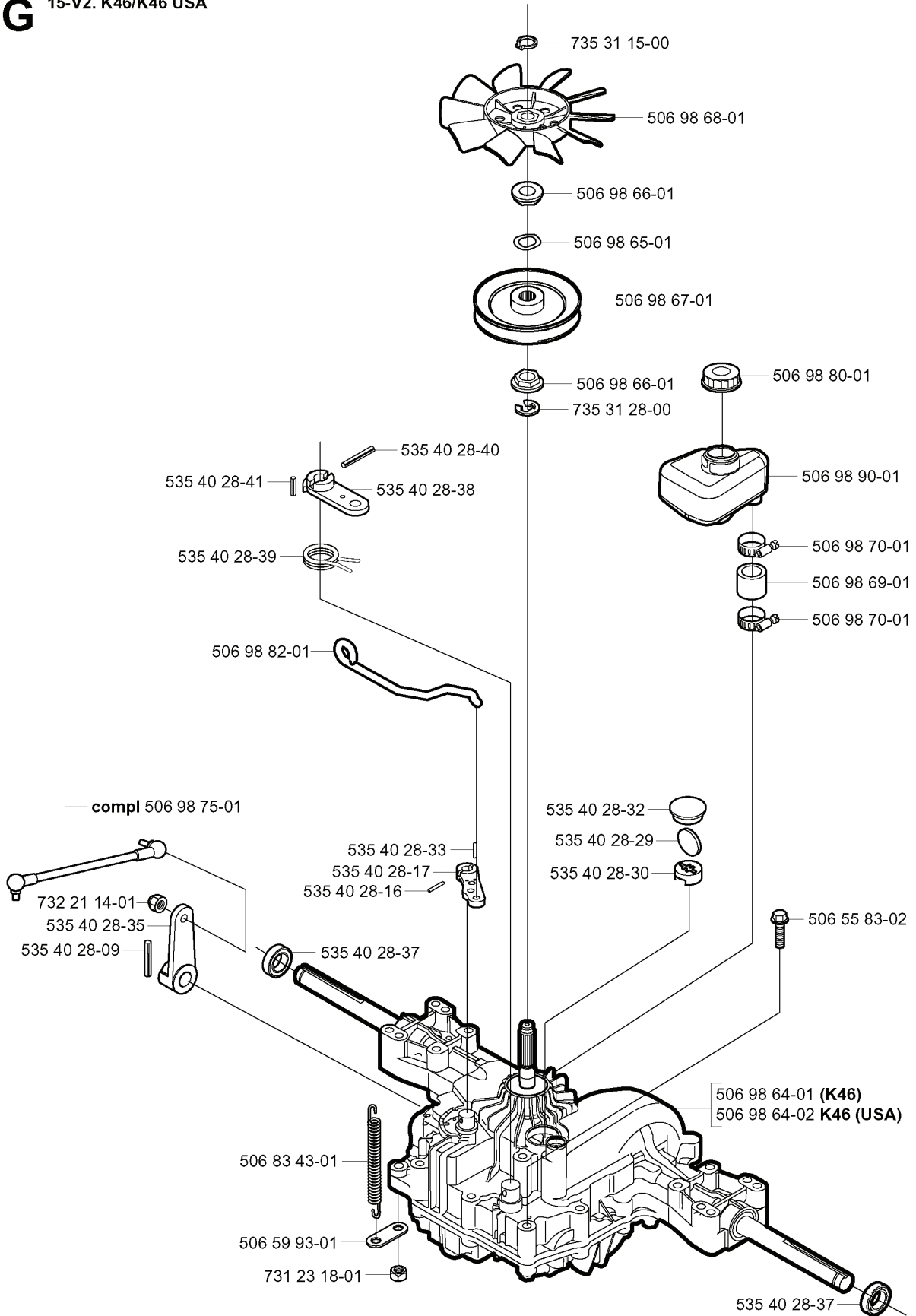
***compl 535 46 01-01**



**xxx xx xx-xx = New part,
Neues teil,
Nouvelle piece,
Nueva pieza,
Ny detalj**

REF.	PART NO.	DESCRIPTION	REMARK	QTY.	KIT
535 46 01-01	535460101	ENGINE HOOD ASSY	Expired	1	
535 46 99-01	535469901	PIVOT LEFT	Expired	1	
535 46 99-02	535469902	HINGE	Expired	1	
506 83 94-01	506839401	SPRING WASHER		1	
506 59 74-01	506597401	SCREW EHHFM		1	
535 46 03-01	535460301	AIR CONDUCTOR	Expired	1	
734 11 37-41	734113741	WASHER		3	
734 11 36-01	734113601	WASHER		1	
506 93 96-01	506939601	SCREEN		1	
722 78 39-02	722783902	BLIND RIVET		1	
506 99 38-01	506993801	COVER	Expired	1	
535 46 60-03	535466003	FLYGEL HÖ. HST		1	
535 46 61-01	535466101	MAT		1	
722 79 54-02	722795402	RIVET		6	
535 46 02-01	535460201	MOTOR COVER	Replaced: 5354604-01	1	
506 91 34-01	506913401	AIR GRIND		1	
732 21 14-01	732211401	LOCK NUT		1	
734 11 46-01	734114601	WASHER		1	
506 55 36-01	506553601	KNOB		1	
535 43 39-01	535433901	COVER	Expired	1	
535 46 61-03	535466103	MAT		1	
535 46 60-01	535466001	FLYGEL VÄ.		1	
506 55 97-01	506559701	WASHER		1	
506 98 26-01	506982601	SCREW		1	
506 96 36-01	506963601	WASHER		1	
506 96 35-01	506963501	VRIDTAPP	Replaced: 5253906-01	1	

G 15-V2. K46/K46 USA



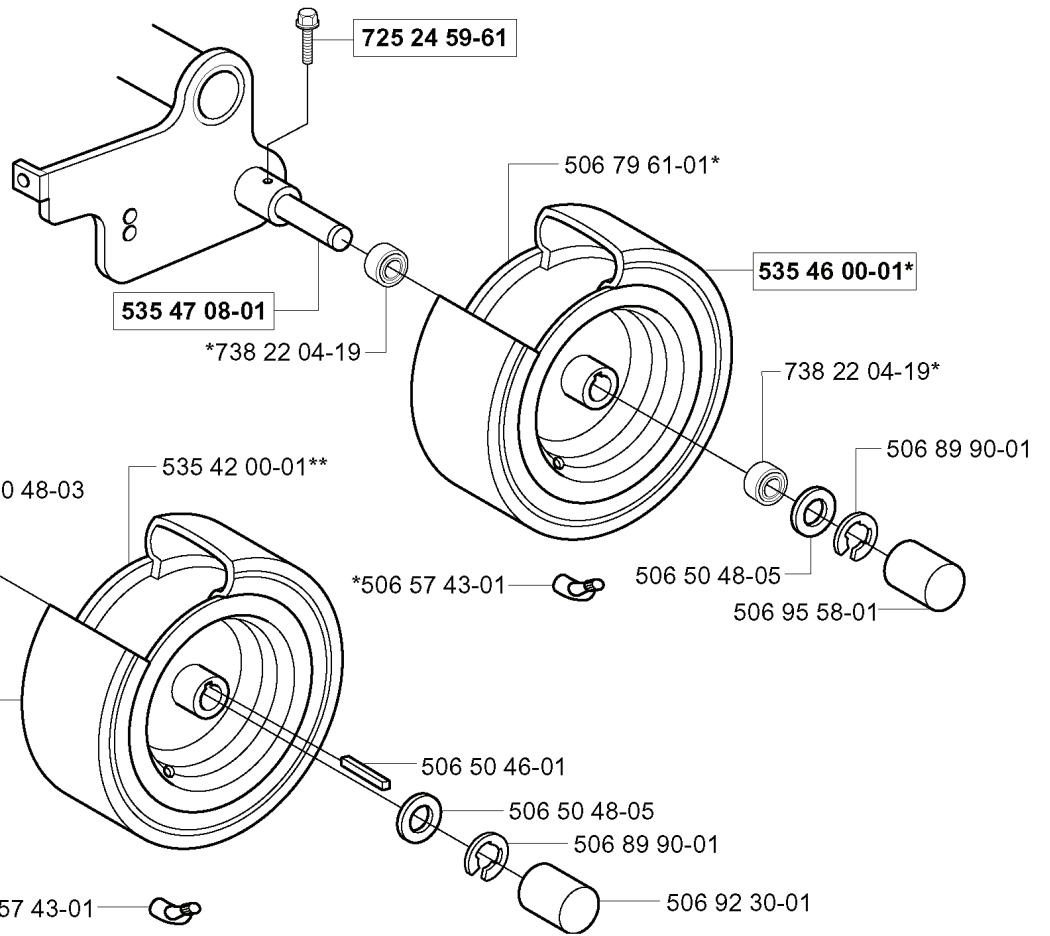
New part,
Neues teil,
Nouvelle piece,
Nueva pieza,
Ny detalj

xxx xx xx-xx =

REF.	PART NO.	DESCRIPTION	REMARK	QTY.	KIT
535 40 28-40	535402840	PIN RETAINING SCREW		1	
535 40 28-38	535402838	LEVER		1	
535 40 28-41	535402841	PIN		1	
535 40 28-39	535402839	SPRING		1	
506 98 82-01	506988201	FRIKOPPLINGSSTÅNG		1	
506 98 75-01	506987501	ADJUSTMENT ROD		1	
732 21 14-01	732211401	LOCK NUT		1	
535 40 28-35	535402835	LEVER		1	
535 40 28-09	535402809	PIN RETAINING SCREW	Replaced: 5869046-01	1	
535 40 28-33	535402833	PIN RETAINING SCREW		1	
535 40 28-17	535402817	LEVER		1	
535 40 28-16	535402816	PIN RETAINING SCREW	Replaced: 5869045-01	1	
535 40 28-37	535402837	SEALING		1	
506 83 43-01	506834301	SPRING		1	
506 59 93-01	506599301	LINK		1	
731 23 18-01	731231801	HEXAGON NUT		1	
506 98 64-02	506986402	TRANSMISSION	Replaced: 5069863-01 K46 (USA)	1	
506 98 64-01	506986401	TRANSMISSION	Replaced: 5069863-01 K46	1	
506 55 83-02	506558302	SCREW EHHFT		1	
535 40 28-30	535402830	HOLDER		1	
535 40 28-29	535402829	MAGNET	Replaced: 5055639-01	1	
535 40 28-32	535402832	PLUG		1	
506 98 70-01	506987001	HOSE CLAMP	Replaced: 5051311-02	1	
506 98 69-01	506986901	HOSE	Replaced: 5024516-01	1	
506 98 90-01	506989001	EXPANSION TANK		1	
506 98 80-01	506988001	TANK CAP ASSY	Replaced: 5903247-01	1	
735 31 28-00	735312800	CIRCLIP		1	
506 98 67-01	506986701	PULLEY	Replaced: 5024519-01	1	
506 98 65-01	506986501	SPRING WASHER		1	
506 98 66-01	506986601	DISTANCE		1	
506 98 68-01	506986801	FAN		1	
735 31 15-00	735311500	CIRCLIP		1	



***compl 506 55 49-08**



REF.	PART NO.	DESCRIPTION	REMARK	QTY.	KIT
506 55 49-08	506554908	WHEEL	Replaced: 5441262-01	1	
506 50 48-03	506504803	WASHER		1	
506 59 62-03	506596203	SPACING SLEEVE		1	
535 46 00-01	535460001	TYRE		1	
506 55 48-06	506554806	REAR WHEEL	Replaced: 5441263-01	1	
535 42 00-01	535420001	RIM		1	
738 22 04-19	738220419	BALL BEARING		1	
535 47 08-01	535470801	WHEEL AXLE	Replaced: 5974654-01	1	
725 24 59-61	725245961	SCREW EHHFT		1	
506 57 43-01	506574301	VALVE ASSY		1	
506 50 46-01	506504601	WEDGE		1	
506 50 48-05	506504805	WASHER		1	
506 92 30-01	506923001	RUND FOT UKB 30 S	Replaced: 5777729-01	1	
506 95 58-01	506955801	CUP		1	
506 89 90-01	506899001	E-CLIP		1	
506 79 61-01	506796101	RIM		1	