

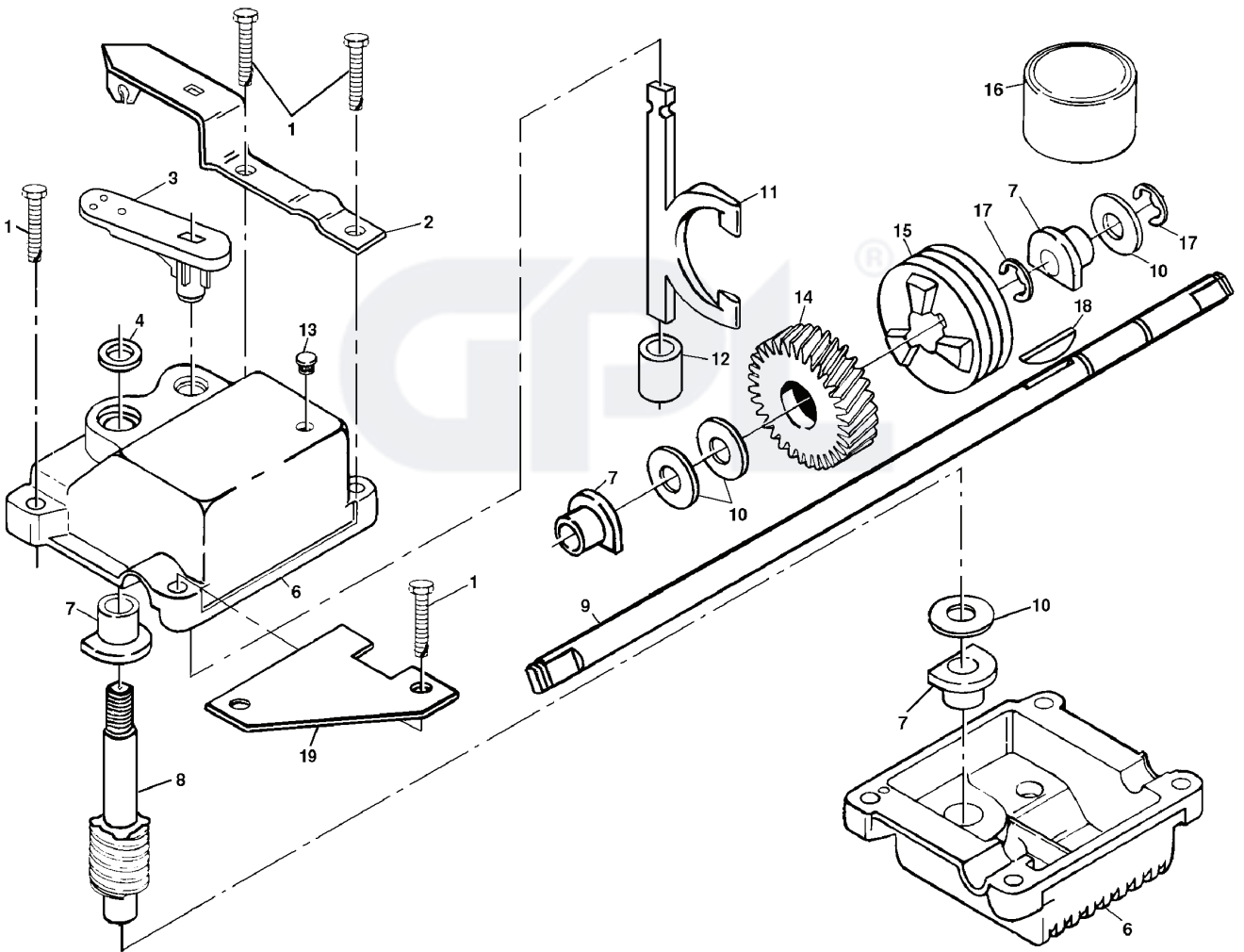
600 SD, 1998-01

GPL<sup>®</sup>

---

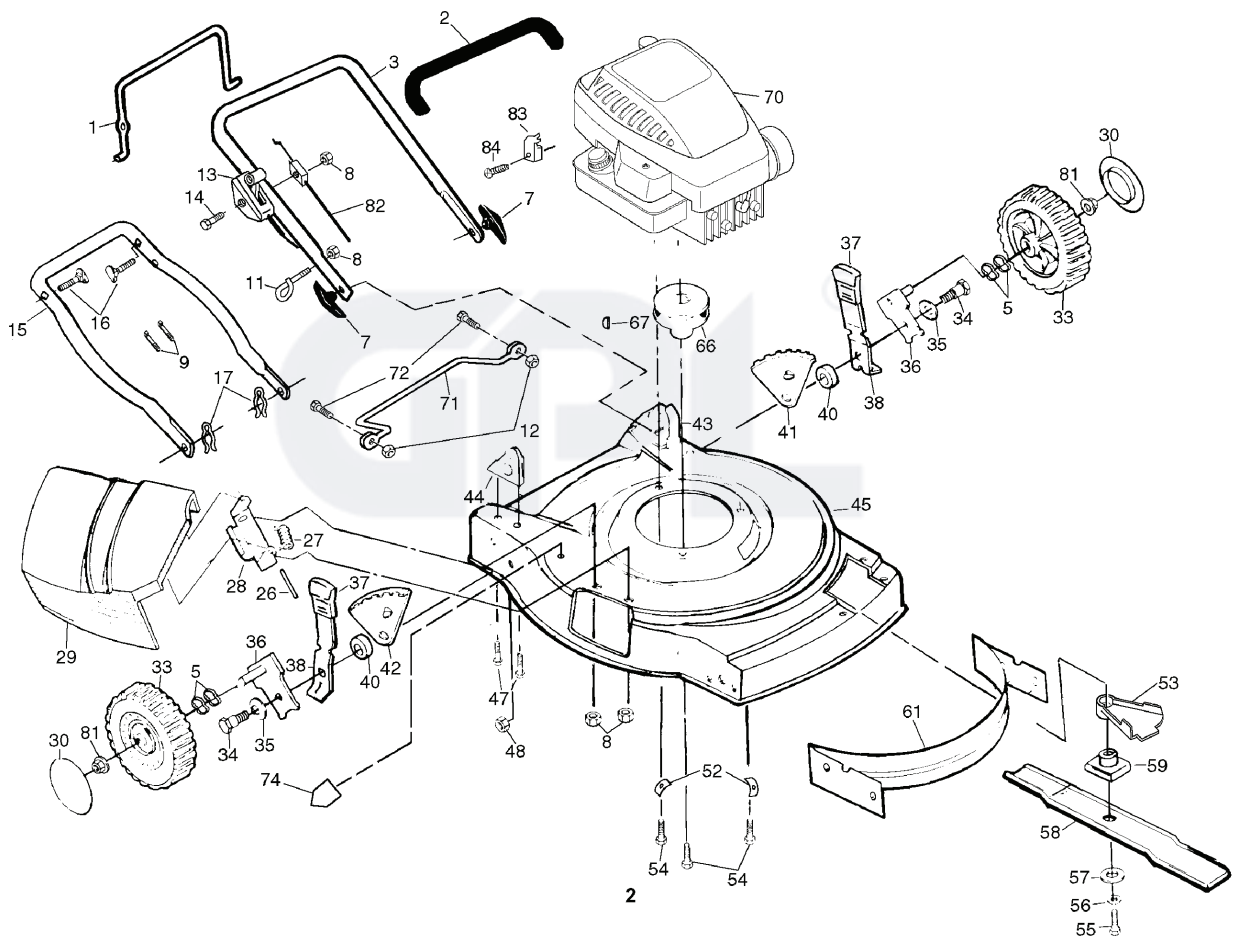
**SPARE PARTS LIST**

C



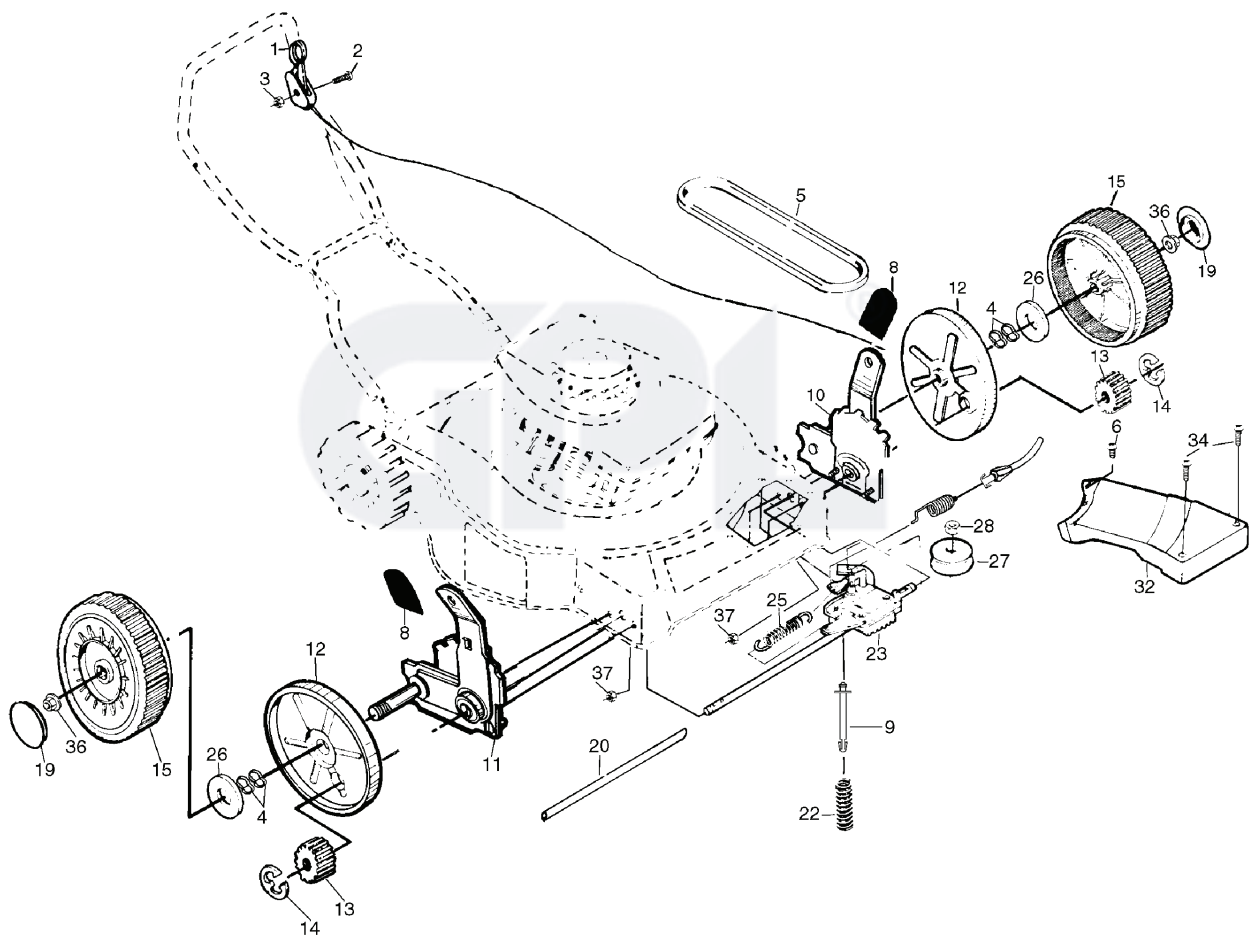


A



REF.	PART NO.	DESCRIPTION	REMARK	QTY.	KIT
1	532146900	LOOP		1	
2	532164265	HANDLE		1	
3	532164289	HANDLE		1	
5	532057143	WASHER		1	
7	532136376	KNOB		1	
8	532063601	NUT		1	
9	53266426			1	
11	532132001	ROPE GUIDE		1	
12	532069180	NUT		1	
13	532700417	TECHNICAL SPECIFICATION		1	
14	532144929	SCREW		1	
15	532159354	HANDLE		1	
16	532131959	BOLT		1	
17	532051793	PIN		1	
26	532147286	ROD		1	
27	532087589	SPRING		1	
28	532087593	BRACKET		1	
29	532750149	GUARD		1	
30	532801153	HUB CAP		1	
33	532750550	WHEEL		1	
34	532142748	BOLT		1	
35	532062335	WASHER		1	
36	532151254	SHAFT		1	
37	532132800	KNOB		1	
38	532125259	SPRING		1	
40	532146630	SPACER		1	
41	532134340	BRACKET		1	
42	532134341	BRACKET		1	
43	532153027	HANDLE		1	
44	532153026	HANDLE		1	
45	532153785	HOUSING		1	
47	532149741	SCREW		1	
48	532751592	LOCKNUT 3/8-16 RL508A/B		1	
52	532125078	WASHER		1	
53	532134612	PROTECTEUR NPCREMP:532048283*		1	
54	532150406	BOLT		1	
55	532851084	SCREW		1	
56	532850263	WASHER		1	
57	532851074	WASHER		1	
58	532141114	MOWER BLADE		1	
59	532851514	BLADE SUPPORT		1	
61	532148902	PARTITION		1	
66	532084596	PULLEY		1	
67	532087677	KEY		1	
71	532154147	PROTECTOR		1	
72	532085825	SCREW		1	
74	532145494	DECAL		1	
81	532083923	NUT		1	
82	532130861	CABLE		1	
83				1	
84	532083816	SCREW		1	
--	532125381	AIR CONDUCTOR		1	
--	532157759	OPERATORS MANUAL		1	
--	532157758	OPERATORS MANUAL		1	
--	GCK5000	9540518-01 GRASS CATCHER		1	
--	MK22SD			1	

**B**



REF.	PART NO.	DESCRIPTION	REMARK	QTY.	KIT
1	817490416	SCREW		1	
2	532140269	BRACKET		1	
3	532137053	SHIFTER		1	
4	532057072	SEALING		1	
6	532048373	GEAR CASE		1	
7	532077881	BEARING		1	
8	532137051	SHAFT		1	
9	532137074	SHAFT		1	
--	532137077	SHAFT		1	
10	532057079	WASHER		1	
11	532131484	LEVER		1	
12	532700343	BUSHING		1	
13	532086447	PLUG		1	
14	532137050	GEAR		1	
15	532750436	CLUTCH		1	
16	532750369	GREASE		1	
17	812000003	RETAINER RING		1	
18	532850848	KEY		1	
19	532125441	SPRING		1	
	PART NO.		REMARK		KIT

