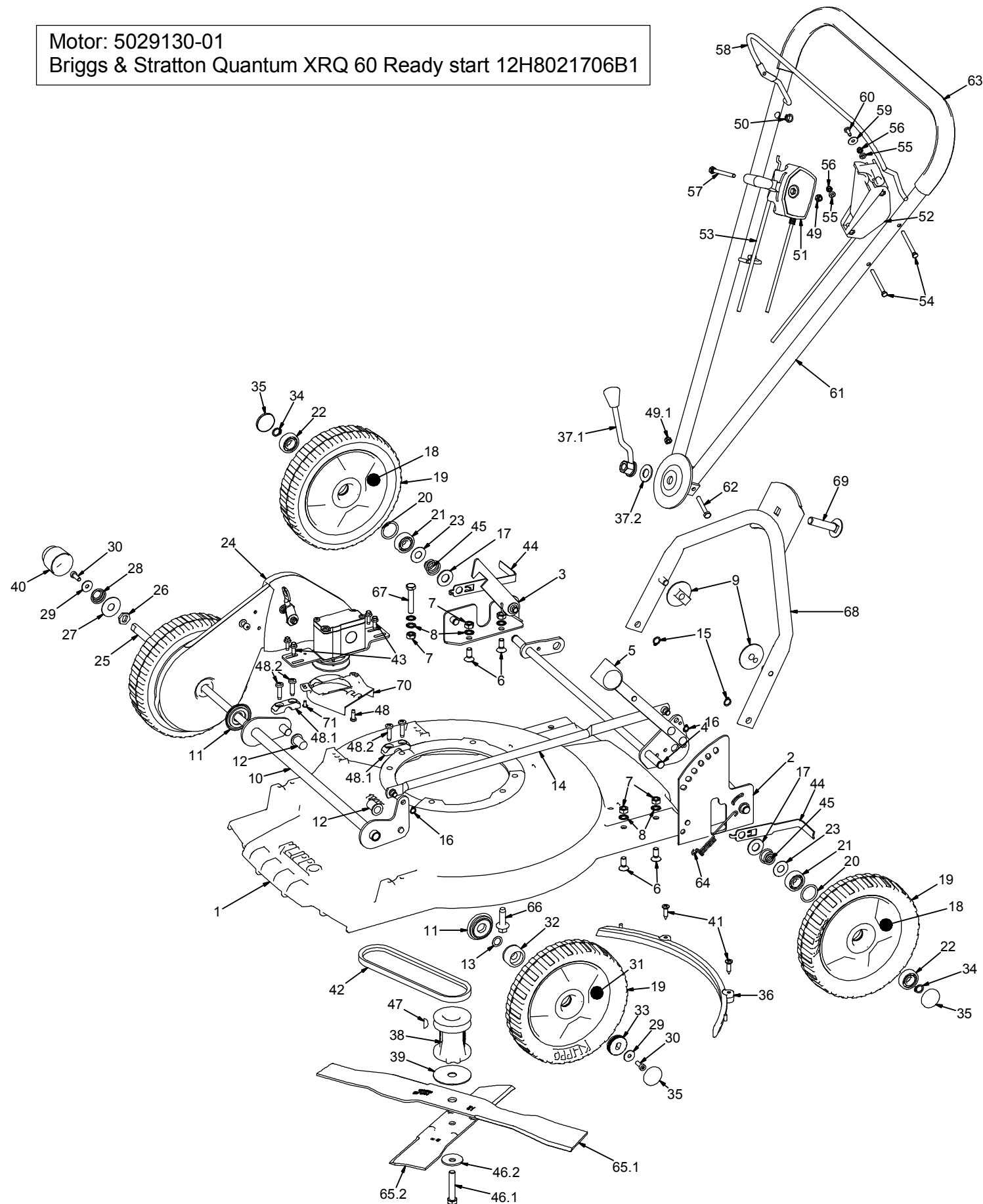


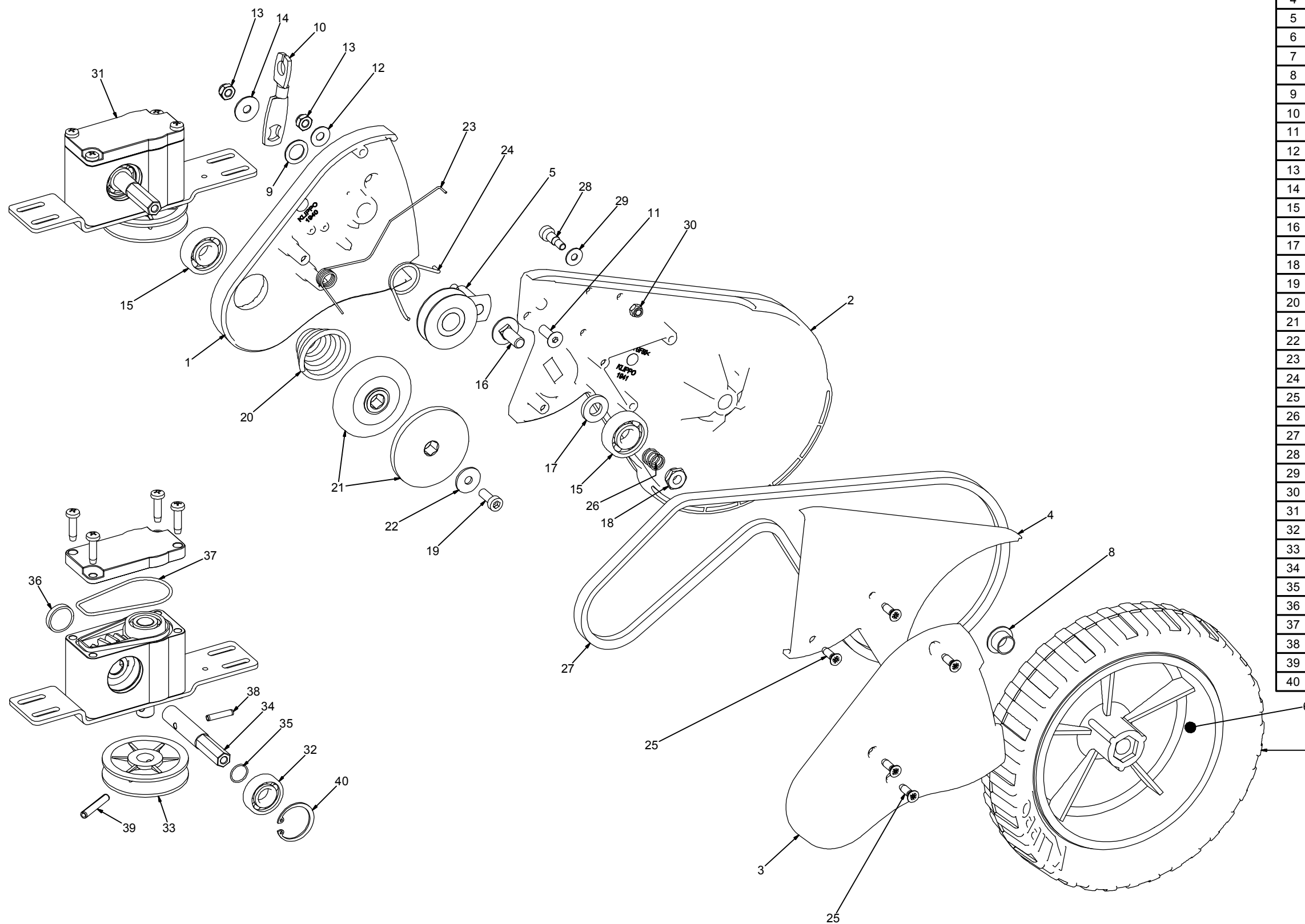


965 22 78-01 – Excellent S – 2010

Motor: 5029130-01
Briggs & Stratton Quantum XRQ 60 Ready start 12H8021706B1



Pos	Art.number	Art.nr Klippo	Description	Pos	Art.number	Art.nr Klippo	Description
1	5054387-01	0122	COVER 48, RED	61	5033158-01	1390	HANDLE UPPER, YELLOW
2	5032490-01	0207	HANDLE HOLDER LEFT, RED	62	5044685-01	7807	SCREW M6S M6x40 FZ
3	5032658-01	0507	CORNER RIGHT, RED	63	5230528-01	N/A	HANDLE GRIP, BLACK
4	5032580-01	0272	REAR SHAFT	64	5032576-01	0264	TENSION SPRING
5	5044647-01	7418	KNOB, BLACK	65	5029689-01	6008	CROSS CUT 48
6	5044570-01	7029	SCREW MFS M8X18 FZ	66	5028829-01	70701	SCREW DG-93x30Z FZ
7	5044572-01	7032	NUT M6M M8 FZ	67	5044662-01	7603	SCREW M6S M8X45 FZ
8	5044580-01	7039	LOCK WASHER 8.4 FZ	68	5032843-01	1130	HANDLE LOWER, YELLOW
9	5044640-01	7410	ADJUSTING WHEEL, BLACK	69	5044566-01	7025	WAGON BOLT M12x55
10	5032692-01	0711	TUBULAR SHAFT 53	70	5225463-01	N/A	BELT GUARD
11	5044636-01	7405	TUBULAR SHAFT BUSHING	71	5226356-01	N/A	SCREW MRT-TT M4X8 FZ
12	5028981-01	7411	CASING, RED	48	5044670-01	7618	SCREW MRT-GF TX M5x16 FZ
13	5044598-01	7068	WASHER 18x12x0.3 FZ				
14	5032495-01	0228	HEIGHT ADJUST BAR 48, RED				
15	5044582-01	7041	CLAMP RING SGA 10X1				REMARKS:
16	5044581-01	7040	CLAMP RING SGA 8X0.8				POS 4: INCLUDE POS 5.
17	5044573-01	7033	WASHER SRB 28x14x2 FZ				POS 18: INCLUDES POS 19, 20, 21 AND 22.
18	5032754-01	1018	FREE WHEEL, RED				POS 25: INCLUDES POS 26, 27, 28, 29 AND 30.
19	5029451-01	1072	TYRE 43				POS 31: INCLUDES POS 19, 32 AND 33.
20	5044618-01	7092	SPACER				POS 61: INCLUDES POS 49.1, 62 AND 63.
21	5032429-01	70091	BALL BEARING Ø12/32x10				POS 68: INCLUDE POS 69.
22	5028827-01	70081	BALL BEARING Ø12/32x9				
23	5044576-01	7036	WASHER 27x12,2x0.5 FZ				
24	5033298-01	1945	GEAR BOX, RED				
25	5032718-01	0739	DRIVE SHAFT 48				
26	5044613-01	7086	DRIVER				KIT:
27	5044609-01	70812	WASHER 34,3x12,1x0,7				5032722-01 (0903) ACCESSORIES FOR WHEEL:
28	5033323-01	2209	COMPRESSION SPRING				CONSIST OF POS 23, 34, 35 AND 45 (4 OF EACH)
29	5044599-01	7069	WASHER 19x6x1.5 FZ				
30	5044567-01	7026	SCREW M6x16 ESLOCK				
31	5032755-01	1019	DRIVING WHEEL, RED				
32	5032764-01	1062	BUSHING, NYLON				
33	5032762-01	1061	BUSHING, STEEL				
34	5044583-01	7042	CLAMP RING SGA 12X1.5				
35	5032751-01	1010	HUB CAP				
36	5032430-01	7437	MULCHER WALL 48				
37	5032982-01	1300	BALL HANDLE WITH WASHER				
38	5032592-01	0312	BLADE BRACKET				
39	5032594-01	0323	FIBRE WASHER				
40	5044651-01	7421	CENTER LID				
41	5044565-01	7024	SCREW KFTS 6.3X25 FZ				
42	5254800-01	1480	V-BELT				
43	5044676-01	7627	SCREW M6SF-TT M5X16 FZ				
44	5032773-01	1087	WHEEL CLEANER				
45	5033330-01	2220	COMPRESSION SPRING				
46	5032727-01	0908	SCREW WITH CUP SPRING				
47	5044605-01	7075	WOODRUF WEDGE				
48	5032719-01	0902	FRONT SHAFT HOLDER, RED				
49	5044561-01	7018	LOCK NUT M6 NYLOCK FZ				
50	5033209-01	1554	LOOP BUSHING				
51	5033095-01	1324	THROTTLE CONTROL				
52	5033126-01	1355	DRIVE CONTROL				
53	5033140-01	1371	BRAKE WIRE				
54	5044671-01	7619	SCREW M6S M5x55 FZ				
55	5044672-01	7620	WASHER 10x5.3x3 FZ				
56	5044603-01	7073	LOCK NUT M5 NYLOCK FZ				
57	5028823-01	70021	SCREW M6S M6x55 FZ				
58	5033139-01	1370	CONTROL BAR DRIVE, RED				
59	5028965-01	7063	WASHER NB 16x5,2x1 FZ				
60	5044593-01	7059	SCREW ST4,8x 13 FZ				



Pos	Art.number	Art.nr Klippo	Description
1	5028799-01	1940	HOUSING BACK
2	5028800-01	1941	HOUSING FRONT
3	5028801-01	1942	HOUSING COVER BACK
4	5028802-01	1943	HOUSING COVER FRONT
5	5033232-01	1735	CLUTCH LEVER COMPL
6	5033174-01	1426	DRIVING WHEEL AL, RED
7	5029451-01	1072	TYRE 43
8	5032771-01	1085	BUSHING
9	5044608-01	7079	WASHER PS 18x12x1 FZ
10	5033227-01	1729	OPERATING ARM
11	5044604-01	7074	SCREW MF6S M6x18 FZ
12	5033240-01	1769	CUP SPRING
13	5044561-01	7018	LOCK NUT M6 NYLOCK FZ
14	5044661-01	7602	WASHER 19x6x1
15	5032429-01	70091	BALL BEARING Ø12/32x10
16	5044601-01	7071	WAGON BOLT M8x20 FZ
17	5044606-01	7077	WASHER 20x10x3 FZ
18	5033176-01	1432	COLLAR NUT
19	5044567-01	7026	SCREW M6x16 ESLOCK
20	5033234-01	1755	COMPRESSION SPRING
21	5033295-01	1936	VARIATOR DISC
22	5044599-01	7069	WASHER 19x6x1.5 FZ
23	5028803-01	1944	CONTROL SPRING RIGHT
24	5033266-01	1865	MOMENT SPRING
25	5044600-01	7070	SCREW MFT-TT M5x16 FZ
26	5033187-01	1455	COMPRESSION SPRING
27	5254799-01	1454	V-BELT
28	5044619-01	7093	COLLAR SCREW
29	5044560-01	7017	WASHER NB 13x5x1 FZ
30	5044603-01	7073	LOCK NUT M5 NYLOCK FZ
31	5033281-01	1912	WORM GEAR
32	5051501-01	1457	BALL BEARING Ø12/28x8
33	5033301-01	1952	PULLEY
34	5033302-01	1953	AUXIALRY SHAFT
35	5033303-01	1954	O-RING
36	5033304-01	1955	PLUG
37	5033305-01	1956	O-RING
38	5044554-01	7002	DOWEL PIN
39	5044555-01	7003	DOWEL PIN
40	5051502-01	7043	CIRCLIP SgH 27