

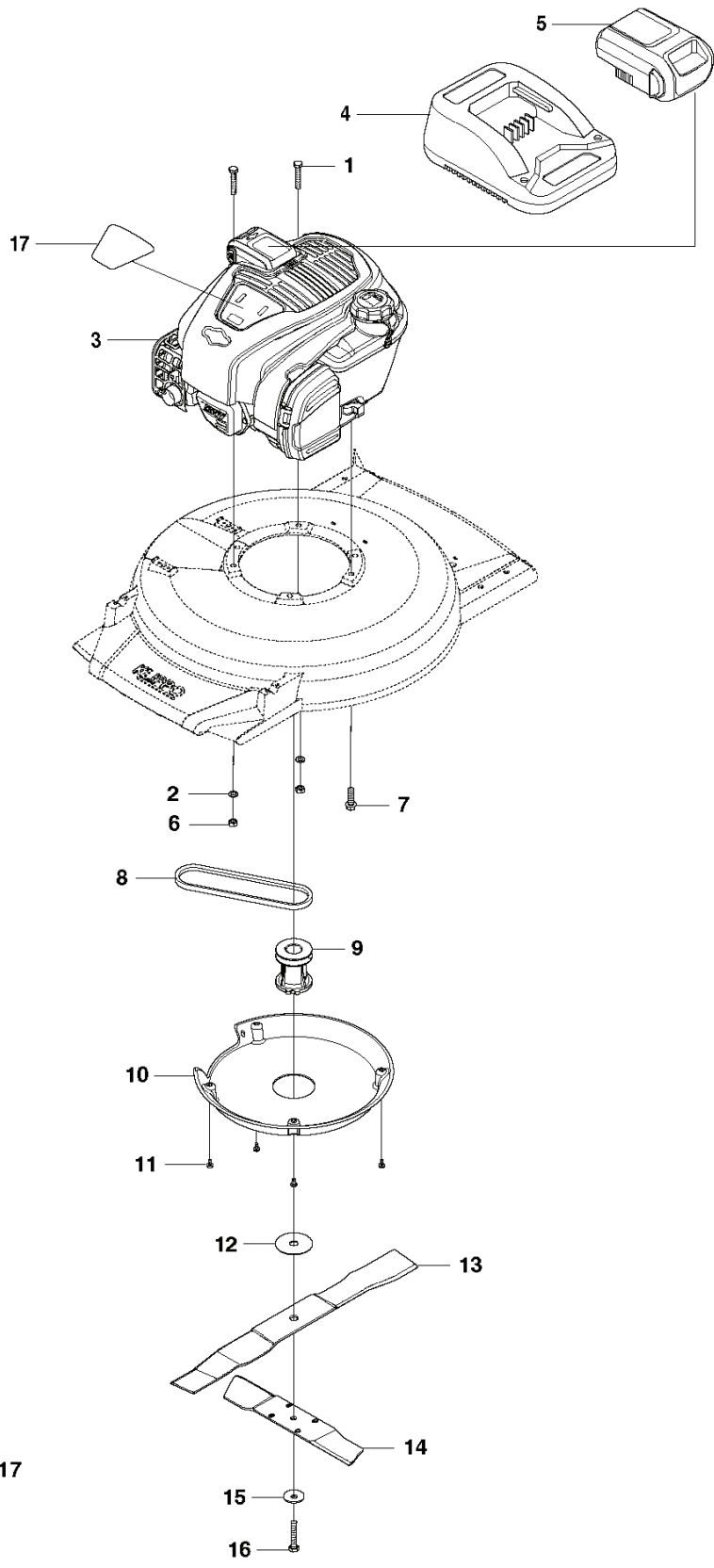
RESERVDELSKATALOG

: KLIPPO

Reservdelslista

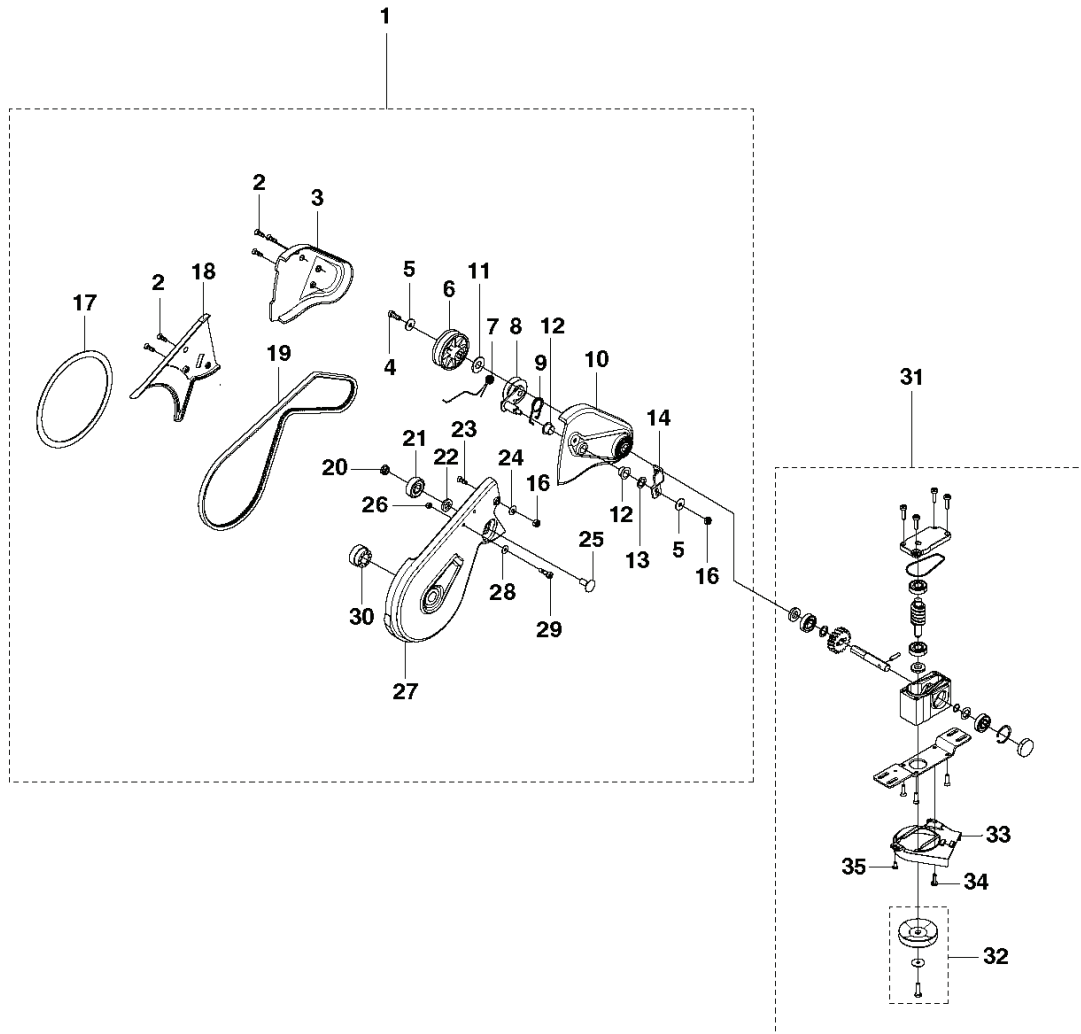
RESERVDELSLISTA

D EXCELLENT SE
ENGINE



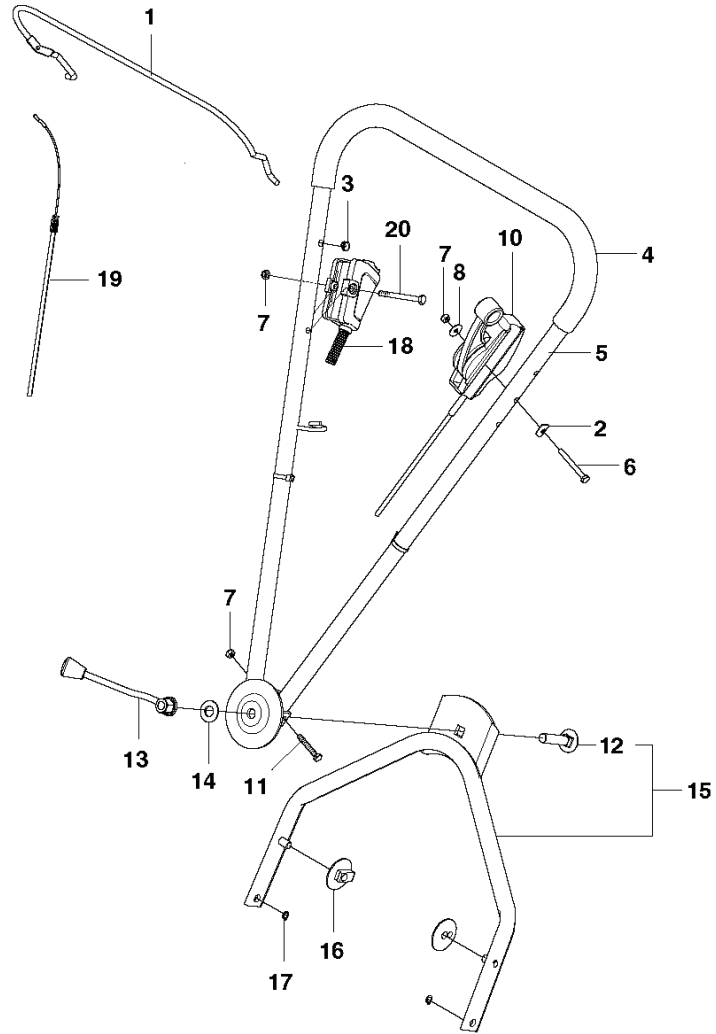
| REF. | ART. NR | ARTIKELBESKRIVNING | ANMÄRKNING | KIT |
|------|-----------|--------------------|-----------------------------------|------|
| 1 | 725246151 | SKRUV EHHM | | 2 |
| 2 | 734116401 | BRICKA | | 2 |
| 3 | . | TBD | B&S 104M05S0-0443 | 1 |
| 4 | 501741802 | LADDARE | 592964, B&S | 1 |
| 5 | 587356701 | BATTERI | 592908, B&S | 1 |
| 6 | 732211801 | LOCK NUT | | 2 |
| 7 | 502882901 | SCREW | | 1 |
| 8 | 589571101 | REM | Kit: 5254800-01 (Belt with shell) | 1 |
| 9 | 588824001 | KNIVFÄSTE | | 1 |
| 10 | 586944101 | REMKÅPA | | 1 |
| 11 | 502435201 | SKRUV ITXPANTT | | 4 11 |
| 12 | 503259401 | BRICKA | | 1 |
| 13 | 502881310 | KNIV | | 1 |
| 14 | 502881710 | MOWER BLADE | | 1 |
| 15 | 503332501 | FJÄDER | | 1 |
| 16 | 504456402 | SCREW EHHI | | 1 |
| 17 | 588877303 | DEKAL | | 1 |

B GEAR
Mulch



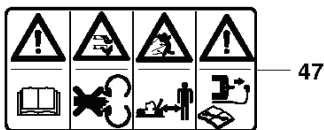
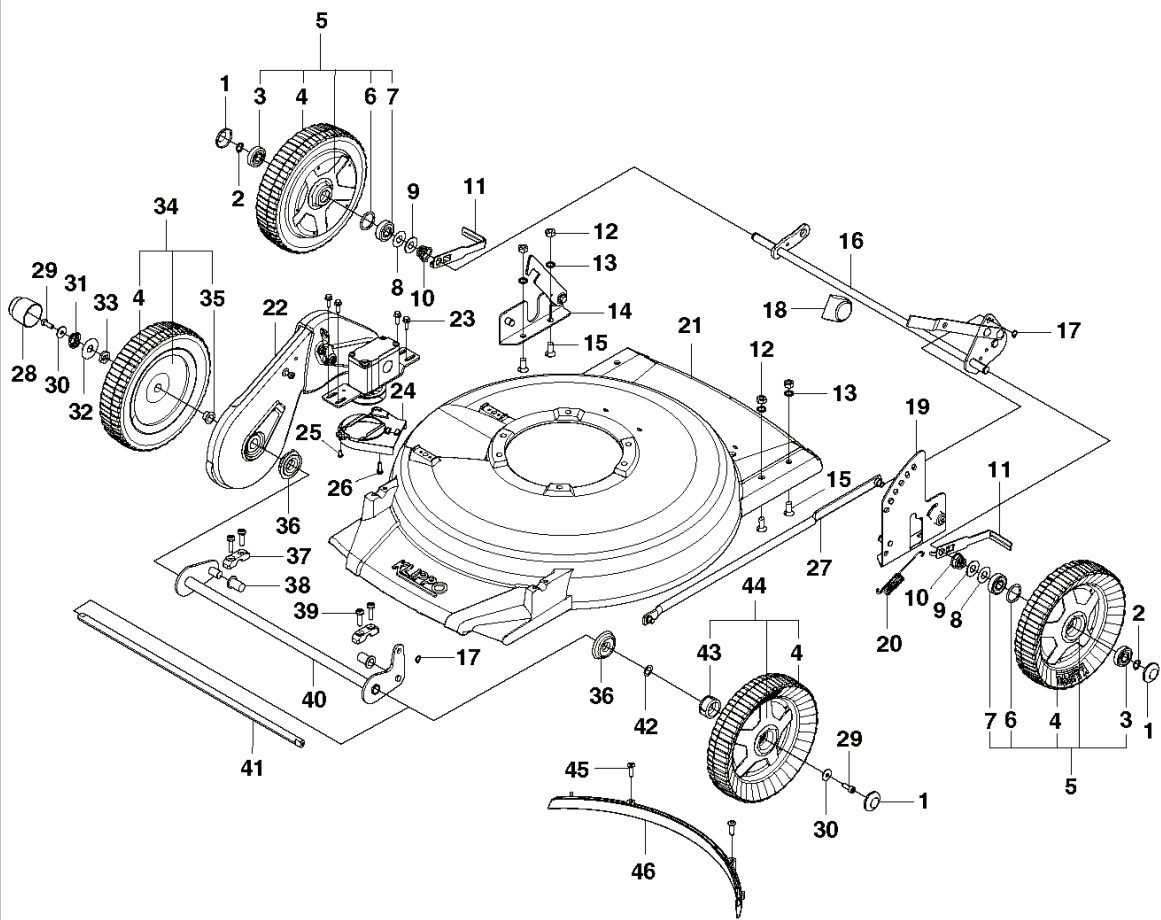
| REF. | ART. NR | ARTIKELBESKRIVNING | ANMÄRKNING | KIT | |
|------|-----------|--------------------|-----------------------------------|-----|----|
| 1 | 585192601 | TRANSMISSION KIT | | 1 | |
| 2 | 578976001 | SKRUV ITXPANTT | | 5 | 1 |
| 3 | 578265501 | KÅPA | | 1 | 1 |
| 4 | 504456701 | SKRUV IHSCM | | 1 | 1 |
| 5 | 734181351 | BRICKA | | 2 | 1 |
| 6 | 587235401 | REMSKIVA | | 1 | 1 |
| 7 | 502880301 | FJÄDER | | 1 | 1 |
| 8 | 503323002 | PULLEY ASSY | | 1 | 1 |
| 9 | 503326601 | FJÄDER | | 1 | 1 |
| 10 | 578342801 | HUS KPL | | 1 | 1 |
| 11 | 504457301 | BRICKA | | 1 | 1 |
| 12 | 503277101 | BUSHING | | 2 | 1 |
| 13 | 504460801 | BRICKA | | 1 | 1 |
| 14 | 578899101 | HÄVARM | | 1 | 1 |
| 16 | 732251601 | HEXAGON LÅSMUTTER | | 2 | 1 |
| 17 | 578265601 | SEALING RING | | 1 | 1 |
| 18 | 578265401 | KÅPA | | 1 | 1 |
| 19 | 589571001 | REM | Kit: 5254799-01 (Belt with shell) | 1 | 1 |
| 20 | 503317601 | BARREL NUT | | 1 | 1 |
| 21 | 738220119 | KULLAGER | 6201-2RS1 | 1 | 1 |
| 22 | 504460601 | BRICKA | | 1 | 1 |
| 23 | 725636951 | SKRUV IHCSFM | | 1 | 1 |
| 24 | 503324001 | FJÄDER | | 1 | 1 |
| 25 | 727645151 | SKRUV RSQM | | 1 | 1 |
| 26 | 732251401 | HEXAGON LÅSMUTTER | | 1 | 1 |
| 27 | 578265201 | HUS | | 1 | 1 |
| 28 | 504456001 | WASHER. 5X13X1 | | 1 | 1 |
| 29 | 504461901 | SKRUV IHSCM | | 1 | 1 |
| 30 | 503324401 | BUSHING | | 1 | 1 |
| 31 | 503328105 | WORM GEAR ASSY | | 1 | |
| 32 | 585514402 | PULLEY KIT | | 1 | 31 |
| 33 | 522546301 | REMSKYDD | | 1 | 31 |
| 34 | 504467001 | SKRUV ITXPANM | | 1 | 31 |
| 35 | 522635601 | SKRUV ITXPANM | | 1 | 31 |

C EXCELLENT SE
HANDLE



| REF. | ART. NR | ARTIKELBESKRIVNING | ANMÄRKNING | KIT |
|------|-----------|--------------------|------------|------|
| 1 | 579159101 | BYGEL KPL | | 1 |
| 2 | 531204961 | BRICKA | | 1 |
| 3 | 503320901 | BUSHING | | 1 |
| 4 | 576641901 | HANDLE GRIP | | 1 |
| 5 | 502907403 | HANDTAG KPL | | 1 |
| 6 | 725238151 | SKRUV EHHM | | 2 |
| 7 | 732251601 | HEXAGON LÅSMUTTER | | 4 |
| 8 | 504459901 | BRICKA | | 1 |
| 10 | 579143702 | REGLAGE | | 1 |
| 11 | 725237871 | SKRUV EHHM | | 1 |
| 12 | 727654351 | SKRUV RSQM | | 1 15 |
| 13 | 503298301 | HÄVARM KPL | | 1 |
| 14 | 504457301 | BRICKA | | 1 |
| 15 | 503284301 | HANDTAG KPL | | 1 |
| 16 | 504464001 | JUSTERINGSHJUL | | 1 |
| 17 | 735311200 | SPÅRING | | 1 |
| 18 | 588847301 | KABLAG KPL | | 1 |
| 19 | 585402010 | KABEL | | 1 |
| 20 | 505557701 | SKRUV ITXPANTT | | 1 |

A EXCELLENT SE
DECK



| REF. | ART. NR | ARTIKELBESKRIVNING | ANMÄRKNING | KIT |
|------|-----------|---------------------|-------------|-------------------|
| 1 | 503275101 | NAVKAPSEL | | 3 |
| 2 | 504458301 | SPÄRRING | | 2 |
| 3 | 502882701 | KULLAGER | 6201-2RS/B9 | 2 5 |
| 4 | 502945101 | DÄCK | | 4 5. 34. 44 |
| 5 | 503275401 | HJUL KPL | | 2 |
| 6 | 504461801 | DISTANSRING | | 2 5 |
| 7 | 503242901 | KULLAGER | 6201-2RS | 2 5 |
| 8 | 504457601 | BRICKA | | 2 |
| 9 | 504457301 | BRICKA | | 2 |
| 10 | 503333001 | FJÄDER | | 2 |
| 11 | 503277301 | SKRAPA | | 2 |
| 12 | 731231801 | MUTTER (HEXAGON) | | 4 |
| 13 | 735216401 | LÅSBRICKA | | 4 |
| 14 | 503265801 | HANDLE SUPPORT ASSY | | 1 |
| 15 | 504457001 | SKRUV SLCSFM | | 4 |
| 16 | 503258001 | Bakaxel Kpl | | 1 |
| 17 | 735311000 | SPÄRRING | | 2 |
| 18 | 504464701 | KNOPP | | 1 |
| 19 | 503249001 | INDIKATOR PLATTA | | 1 |
| 20 | 503257601 | FJÄDER | | 1 |
| 21 | 505438704 | CHASSI | | 1 |
| 22 | 585192601 | TRANSMISSION KIT | | 1 |
| 23 | 725232961 | SKRUV EHHFT | | 4 |
| 24 | 522546301 | REMSKYDD | | 1 |
| 25 | 522635601 | SKRUV ITXPANM | | 1 |
| 26 | 504467001 | SKRUV ITXPANM | | 1 |
| 27 | 503249501 | ROD ASSY | | 1 |
| 28 | 504465101 | NAVKAPSEL | | 1 |
| 29 | 504456701 | SKRUV IHSCM | | 2 |
| 30 | 504459901 | BRICKA | | 2 |
| 31 | 503332301 | FJÄDER | | 1 |
| 32 | 504460901 | BRICKA | | 1 |
| 33 | 504461301 | MEDBRINGARE | | 1 |
| 34 | 503317401 | HJUL KPL | | 1 |
| 35 | 503277101 | BUSHING | | 1 34 |
| 36 | 504463601 | BUSHING | | 2 |
| 37 | 504463801 | FÄSTE | | 2 |
| 38 | 502898101 | HÖLJE | | 2 |
| 39 | 504457101 | SKRUV ITXPANM | | 4 |
| 40 | 503269201 | FRONT AXLE | | 1 |
| 41 | 502873801 | DRIVAXEL | | 1 |
| 42 | 504459801 | BRICKA | | 1 |
| 43 | 503276401 | BUSHING | | 1 44 |
| 44 | 503275503 | HJUL KPL | | 1 |
| 45 | 504456501 | SKRUV ITXPANT | | 2 |
| 46 | 503243001 | WALL BRACKET | | 1 |
| 47 | 502884001 | DEKAL | | 1 |