

RESERVDELSKATALOG

: KLIPPO EXCELLENT

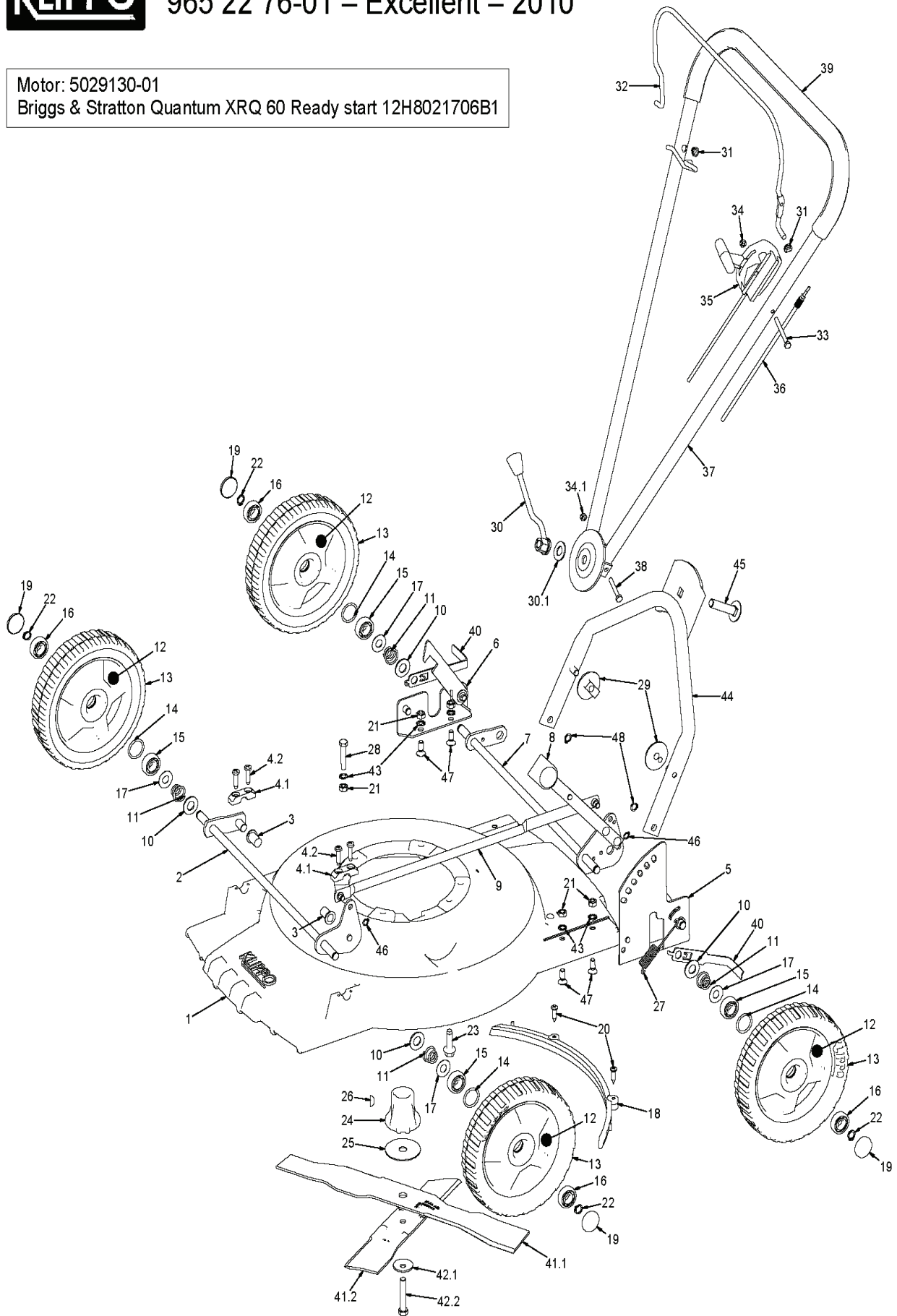
Reservdelslista

RESERVDELSLISTA



965 22 76-01 – Excellent – 2010

Motor: 5029130-01
Briggs & Stratton Quantum XRQ 60 Ready start 12H8021706B1



REF.	ART. NR	ARTIKELBESKRIVNING	ANMÄRKNING	KIT
1	503247901	CHASSI	119	1
2	503269301	FRAMAXEL ASSY	713	1
3	502898101	HÖLJE	7411	1
4	503271901	HOLDER AXLE INLC. 2 SCREWS	902	1
5	503249001	INDIKATOR PLATTA	207	1
6	503265801	HANDLE SUPPORT ASSY	507	1
7	503258001	Bakaxel Kpl	272	1
8	504464701	KNOPP	7418	1
9	503249501	ROD ASSY	228	1
10	504457301	BRICKA	7033	1
11	503333001	FJÄDER	2220	1
12	503275401	HJUL KPL	1018	1
13	502945101	DÄCK	1072	1
14	504461801	DISTANSRING	7092	1
15	503242901	KULLAGER	70091	1
16	502882701	KULLAGER	70081	1
17	504457601	BRICKA	7036	1
18	503243001	WALL BRACKET	7437	1
19	503275101	NAVKAPSEL	1010	1
20	504456501	SKRUV ITXPANT	7024	1
21	504457201	MUTTER	7032	1
22	504458301	SPÄRRING	7042	1
23	502882901	SCREW	70701	1
24	503258301	KNIVFÄSTE	301	1
25	503259401	BRICKA	323	1
26	504460501	WOODRUF KEY	7075	1
27	503257601	FJÄDER	264	1
28	504456901	BULT	7028	1
29	504464001	JUSTERINGSHJUL	7410	1
30	503298201	KULA	1300	1
31	503320901	BUSHING	1554	1
32	503297001	BAILARM	1281	1
33	502882301	BULT	70021	1
34	504456101	LOCKING NUT GALVANIZED	7018	1
35	503299801	GASREGLAGE	1315	1
36	503299901	KABEL	1318	1
37	503315901	HANDTAG KPL	1391	1
38	504468501	BULT	7807	1
39	523052801	GREPP	N/A	1
40	503277301	SKRAPA	1087	1
41	502968901	KNIV	6008	1
42	503272701	BULT	908	1
43	504458001	BRICKA	7039	1
44	503284301	HANDTAG KPL	1130	1
45	504456601	BULT	7025	1
46	504458101	CLAMP RING SGA	7040	1
47	504457001	SKRUV SLCSFM	7029	1
48	504458201	CLAMP RING SGA	7041	1