

# LM2155 MD

Spare parts

Ersatzteile

Pièces détachées

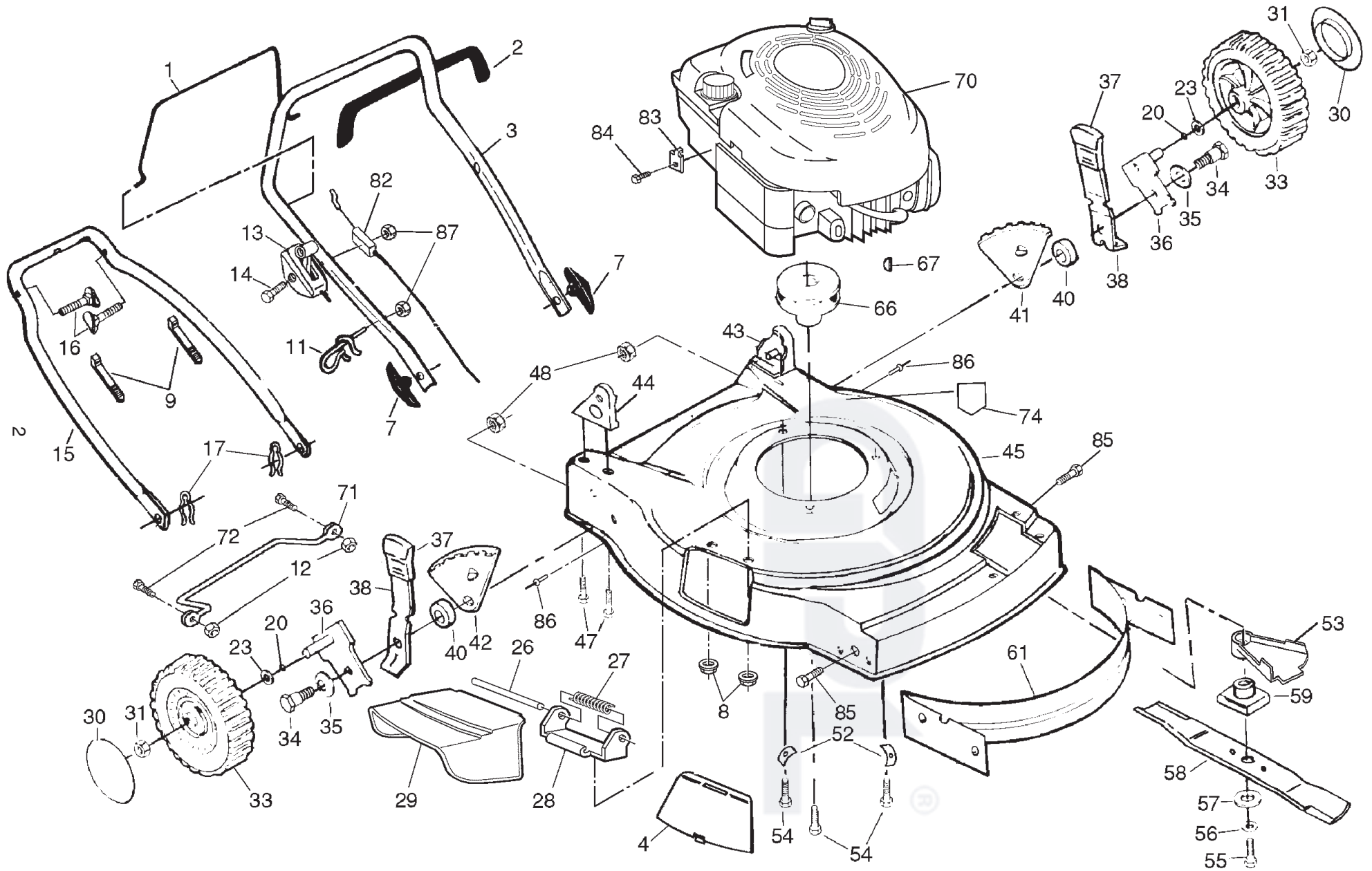
Reserve onderdelen

Repuestos

Reservdelar

GPL<sup>®</sup>

ROTARY LAWN MOWER - - MODEL NUMBER LM2155MD (J2155MDC) PRODUCT NUMBER 954 13 02-19



# ROTARY LAWN MOWER - - MODEL NUMBER LM2155MD (J2155MDC) PRODUCT NUMBER 954 13 02-19

KEY NO.	PART NO.	DESCRIPTION
1	<b>532 19 05-17</b>	Control Bar
2	532 16 42-65	Handle Grip
3	532 16 71-63	Upper Handle
4	532 12 54-44	Plate, Mulcher
7	532 13 63-76	Handle Knob
8	873 80 04-00	Locknut 1/4-20
9	532 06 64-26	Wire Tie
11	532 17 95-85	Rope Guide
12	532 06 91-80	Locknut 1/4-20
13	532 18 21-57	Throttle Control
14	<b>532 18 33-65</b>	Hex Washer Head Screw 1/4-20 x 2-1/8
15	532 15 36-05	Lower Handle
16	532 13 19-59	Handle Bolt 5/16-18 x 1-3/4
17	532 05 17-93	Hairpin Cotter
20	<b>532 18 81-52</b>	O-Ring
23	<b>532 08 83-48</b>	Washer, Flat 3/8
26	532 14 72-86	Hinge Rod
27	532 08 75-89	Torsion Spring
28	532 08 75-93	Housing Bracket Assembly
29	532 75 01-49	Discharge Guard
30	532 80 11-53	Hubcap
31	532 08 39-23	Nut
33	532 75 05-50	Wheel & Tire Assembly
34	532 14 27-48	Shoulder Bolt 3/8-16 x 1
35	532 06 23-35	Belleville Washer 1/2
36	532 15 12-54	Axle Arm Assembly
37	532 13 28-00	Selector Knob
38	532 12 52-59	Selector Spring
40	532 14 66-30	Spacer
41	532 13 43-40	Wheel Adjusting Bracket (L.R.)
42	532 13 43-41	Wheel Adjusting Bracket (R.R.)
43	532 17 09-77	Handle Bracket Assembly (Left)
44	532 17 09-75	Handle Bracket Assembly (Right)
45	532 17 04-99	Lawn Mower Housing (Includes Key #74)

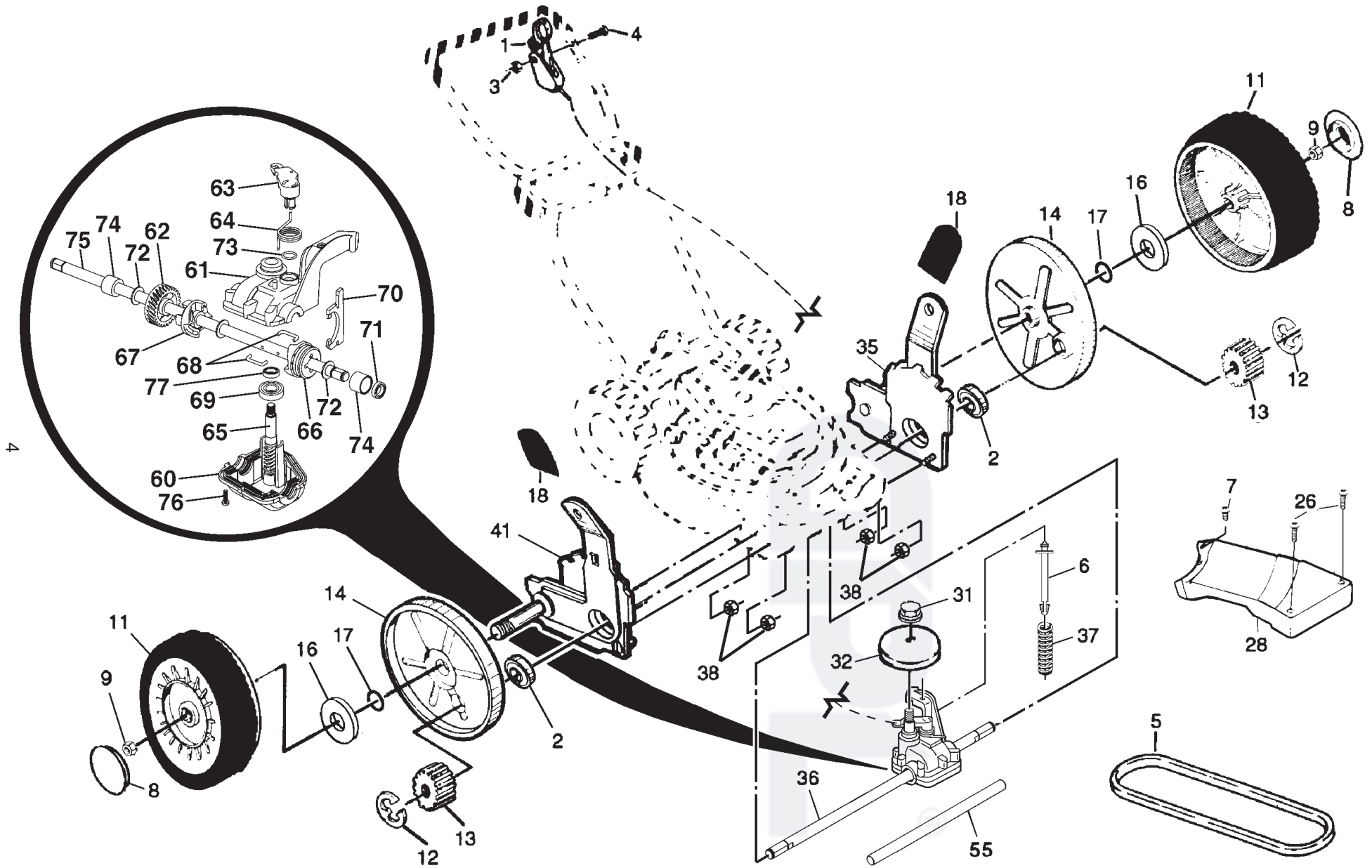
KEY NO.	PART NO.	DESCRIPTION
47	532 14 97-41	Self Tapping Screw 5/16-18 x 3/4
48	532 75 15-92	Locknut 3/8-16
52	532 12 50-78	Washer, Engine
53	532 18 20-02	Debris Shield
54	532 15 04-06	Hex Head Thread Rolling Screw 3/8-16 x 1
55	532 85 10-84	Hex Head Screw 3/8-24 x 1-3/8 Grade 8
56	532 85 02-63	Helical Lock Washer 3/8
57	532 85 10-74	Hardened Washer
58	532 15 71-01	22" Blade
59	<b>532 18 45-90</b>	Blade Adapter
61	532 17 04-91	Front Baffle
66	<b>532 18 49-41</b>	Engine Pulley
67	<b>532 18 77-23</b>	Hi-Pro Key
70	- - -	Engine, Briggs & Stratton, Model No. 123K02 (Order parts from engine manufacturer)
71	532 15 41-47	Foot Guard
72	532 08 58-25	Self Tapping Screw #10-24 x 1
74	532 18 21-66	Warning Decal
82	532 13 31-07	Cable MZR
83	532 11 11-90	Clamp, Engine
84	532 08 38-16	Screw
85	817 60 04-06	Flat Head Screw
86	532 12 84-15	Pop Rivet
87	532 13 20-04	Nut, Hex
--	532 12 53-81	Rear Baffle (Not Shown)
--	<b>532 19 06-54</b>	Operator's Manual, European
--	<b>532 19 06-55</b>	Operator's Manual, Scandinavian

Available Accessories not included with mower:

-- GCK5000 Grass Catcher

**NOTE:** All component dimensions given in U.S. inches.  
1 inch = 25.4 mm

ROTARY LAWN MOWER - - MODEL NUMBER LM2155MD (J2155MDC) PRODUCT NUMBER 954 13 02-19



# ROTARY LAWN MOWER - - MODEL NUMBER LM2155MD (J2155MDC) PRODUCT NUMBER 954 13 02-19

Correction:

Key No

17 532 18 81-52

KEY NO.	PART NO.	DESCRIPTION
1	532 18 45-88	Drive Control Assembly
2	<b>532 16 73-87</b>	Bearing, Wheel Adjuster
3	532 75 11-52	Locknut
4	532 15 87-55	Hex Washer Head Screw 1/4-20 x 2.12
5	532 14 65-27	V-Belt
6	532 15 04-95	Hex Head Bolt 1/4-20 x 2
7	532 75 00-97	Screw
8	532 80 11-53	Hubcap
9	532 08 39-23	Flanged Locknut
11	532 18 07-59	Wheel & Tire Assembly
12	812 00 00-58	E-Ring
13	532 13 70-54	Pinion
14	532 18 05-04	Dust Cover
16	532 06 77-25	Washer
17	<b>532 18 81-51</b>	O-Ring
18	532 13 28-00	Selector Knob
26	532 14 60-72	Pan Head Tapping Screw #10-24 x 2-3/4
28	532 13 70-88	Drive Cover
31	532 13 20-10	Locknut
32	<b>532 18 94-07</b>	Drive Pulley
35	532 15 24-65	Wheel Adjuster Assembly, LH (Includes Knob and Bearing)
36	532 18 72-11	Gear Case Assembly, Complete
37	532 13 70-90	Spring
38	873 80 04-00	Locknut 1/4-20
41	532 15 24-63	Wheel Adjuster Assembly, RH (Includes Knob and Bearing)

KEY NO.	PART NO.	DESCRIPTION
55	532 08 60-12	Drive Shaft Cover
60	532 18 34-97	Case, Lower (Use Dow Corning #709 to reseal Gear Case Halves)
61	532 18 34-98	Case, Upper (Use Dow Corning #709 to reseal Gear Case Halves)
62	532 18 34-99	Gear, 27 Teeth
63	532 18 35-00	Lever, Clutch
64	532 18 35-01	Spring, Return
65	532 18 35-02	Shaft, Input
66	532 18 35-03	Dog, Movable
67	532 18 35-04	Dog, Fixed
68	532 18 35-05	Wire, Formed
69	532 18 35-06	Bearing, Ball
70	532 18 35-07	Fork, Shift
71	532 18 35-08	Seal, Output Shaft
72	532 18 35-09	Washer
73	532 18 35-10	Seal, Case
74	532 18 35-11	Bushing
75	532 18 75-21	Shaft, Output
76	532 18 35-13	Screw
77	532 18 35-14	Seal, Input Shaft
--	532 18 21-34	Decal, Warning

**NOTE:** All component dimensions given in U.S. inches.  
1 inch = 25.4 mm