

MASTER 50S, 95387704, 2002-02

GPL[®]

SPARE PARTS LIST

brand	HUSQVARNA
-------	------------------

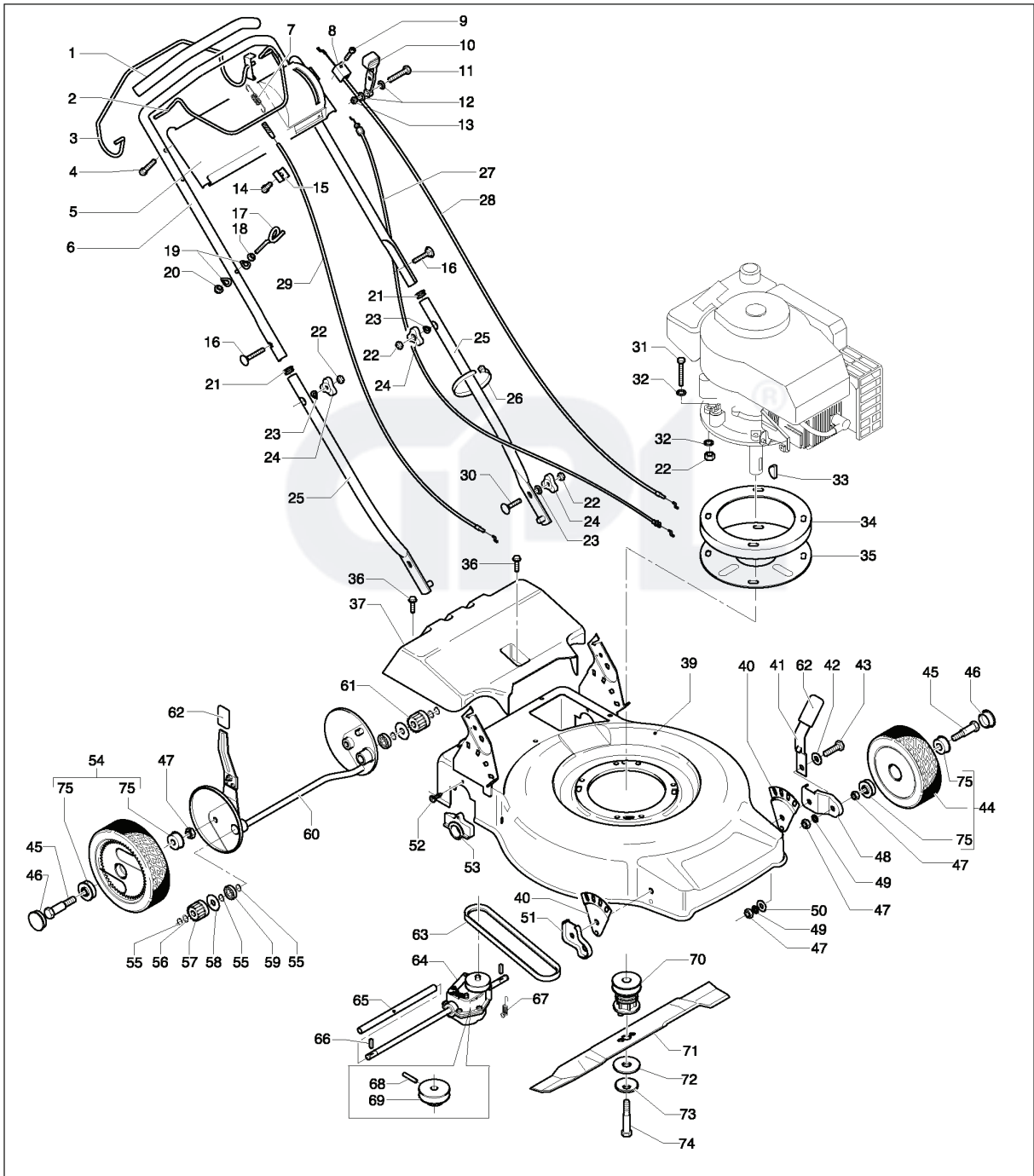
date	JAN/02	SHEET 1/2
------	--------	-----------

Model

Product number

MASTER 50S

9538770-4



The Electrolux Group. The world's No. 1 choice.

REF.	PART NO.	DESCRIPTION	REMARK	QTY.	KIT
1	531210725	PROTECTOR		1	
2	531206045	LOOP		1	
3	531206043	LOOP		1	
4	531208844	SCREW		4	
5	531210583	PLATE		1	
6	531210581	HANDLE		1	
7	531210573	SPRING		1	
8	531208043	BRACKET		1	
9	531208217	SCREW		1	
10	531205139	BRACKET		1	
11	531207836	SCREW		1	
12	531206666	WASHER		2	
13	531208492	NUT		1	
14	531207937	SCREW		1	
15	531207923	SUPPORT		1	
16	531207089	SCREW		2	
17	531205169	PIN RETAINING SCREW		1	
18	531207165	NUT		1	
19	531204961	WASHER		2	
20	531208491	NUT		1	
21	531208950	PLUG		2	
22	531207982	NUT		7	
23	531207090	WASHER		2	
24	531204923	WING NUT		4	
25	531210582	HANDLE		2	
26	531205581	CLIP		2	
27	531207754	WIRE		1	
28	531205191	WIRE		1	
29	531206298	WIRE		1	
30	531204921	SCREW		2	
31	531207107	SCREW		3	
32	531207981	WASHER		6	
33	531204907	KEY		1	
34	531207369	PLATE		1	
35	531207111	PLATE		1	
36	531207120	SCREW		3	
37	531206227	COVER		1	
39	531206548	HOUSING		1	
40	531210768	BRACKET		2	
41	531210767	LEVER		2	
42	531206227	COVER		2	
43	531204912	SCREW		2	
44	531210578	WHEEL		2	
45	531205042	SCREW		4	
46	531210580	HUB CAP		4	
47	531207978	NUT		10	
48	531210763	LEVER		1	
49	531208974	WASHER		4	
50	531207989	WASHER		2	
51	531210765	LEVER		1	
52	531208216	SCREW		2	
53	531205944	SUPPORT		2	
54	531210579	WHEEL		2	
55	531208772	WASHER		4	
56	531208859	WASHER		2	
57	531205045	PINION		1	
58	531207847	WASHER		2	
59	531208778	BEARING		2	
60	531211206	SHAFT		1	
61	531205046	PINION		1	
62	531207986	KNOB		3	
63	531206303	BELT		1	
64	531204761	GEARBOX		2	
65	531207697	PIPE		1	
66	531205108	KEY		2	
67	531206235	SPRING		1	
68	531207703	PIN RETAINING SCREW		1	
69	531208899	PULLEY		2	
70	531207848	SUPPORT		1	
71	531206546	BLADE		1	
72	531207243	WASHER		1	
73	531207237	WASHER		1	
74	531206649	SCREW		1	
75	531205214	BEARING		2	